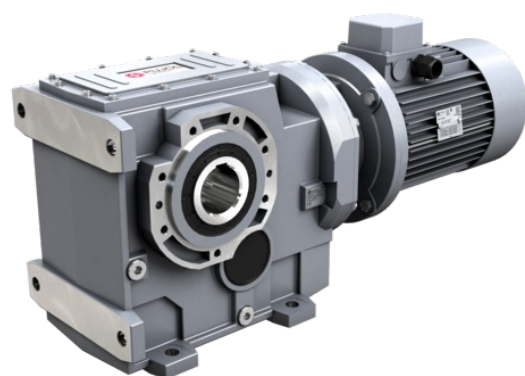


TECHNICAL CATALOGUE

KXB SERIES



HELICAL **BEVEL** GEARED **MOTORS**

STANDARD **IEC**



PUJOL

a **TECO** Group company

1. GENERAL INFORMATION

| | | |
|------------|-----------------------------------|----------|
| 1.1 | SYMBOLS AND FORMULAS | 4 |
| 1.1.1 | Symbols | 4 |
| 1.1.2 | Formulas | 5 |
| 1.2 | PRODUCT SELECTION | 6 |
| 1.3 | SERVICE FACTOR | 7 |
| 1.4 | INSTALLATION | 8 |

2. PRODUCT INFORMATION

| | | |
|-------------|--|-----------|
| 2.1 | DESIGN FEATURES | 9 |
| 2.2 | TYOLOGY | 10 |
| 2.2.1 | Designation | 10 |
| 2.2.2 | Versions | 11 |
| 2.2.3 | Modularity | 15 |
| 2.3 | MOUNTING POSITIONS | 17 |
| 2.3.1 | Mounting positions | 17 |
| 2.3.2 | Position of terminal box | 17 |
| 2.4 | THERMAL POWER | 18 |
| 2.4.1 | Information | 18 |
| 2.4.2 | Verification | 18 |
| 2.5 | DIRECTION OF ROTATION | 19 |
| 2.6 | CRITICAL APPLICATIONS | 20 |
| 2.6.1 | Critical applications | 20 |
| 2.6.2 | Information | 20 |
| 2.7 | MOTOR FLANGE AVAILABILITY | 21 |
| 2.7.1 | KXA Motor flange availability | 21 |
| 2.7.2 | KXB Motor flange availability | 22 |
| 2.8 | OUTPUT SHAFT BEARINGS | 25 |
| 2.9 | RADIAL LOAD | 26 |
| 2.9.1 | Information | 26 |
| 2.9.2 | Input | 26 |
| 2.9.3 | Output | 27 |
| 2.10 | LUBRICATION | 28 |

| | | |
|-------------|---------------------------------|-----------|
| 2.10.1 | Information | 28 |
| 2.10.2 | Lubricants | 28 |
| 2.10.3 | Special lubricants | 29 |
| 2.10.4 | Quantity | 30 |
| 2.11 | MOMENTS OF INERTIA | 31 |

3. DIMENSIONS

| | | |
|------------|--|-----------|
| 3.1 | REDUCERS/GEARED MOTORS | 32 |
| 3.1.1 | KXAC..2 | 32 |
| 3.1.2 | KXAC..3 | 33 |
| 3.1.3 | KXA..2 | 34 |
| 3.1.4 | KXA..3 | 35 |
| 3.1.5 | KXBC | 36 |
| 3.1.6 | KXB | 38 |
| 3.2 | ELECTRIC MOTORS | 40 |
| 3.2.1 | Electric motors | 40 |
| 3.2.2 | Standard high efficiency (TS), high (TH) and premium (TP) motors | 42 |
| 3.2.3 | Nominal power - [kW] | 43 |
| 3.3 | WEIGHTS | 44 |
| 3.4 | SHAFT END | 45 |

4. ACCESSORIES AND OPTIONS

| | | |
|------------|---|-----------|
| 4.1 | LOW SPEED SHAFTS | 46 |
| 4.2 | OUTPUT FLANGE | 47 |
| 4.2.1 | KXA | 47 |
| 4.2.2 | KXB | 48 |
| 4.3 | SHAFT MOUNTING FASTENING | 49 |
| 4.3.1 | Torque arm: KXA Mounting position | 49 |
| 4.3.2 | Torque arm: KXA Dimensions | 49 |
| 4.3.3 | Torque arm: KXB Mounting position | 50 |
| 4.3.4 | Torque arm: KXB353-403-503-603 Dimensions | 51 |
| 4.3.5 | Torque arm: KXB703-903-1003 Dimensions | 51 |
| 4.4 | OUTPUT SHAFT COVER | 52 |
| 4.5 | BACKSTOP DEVICE | 53 |

| | | |
|-----|---|----|
| 4.6 | OUTPUT SHAFT WITH SHRINK DISC | 55 |
| 4.7 | REINFORCED OIL SEALS FOR OUTPUT SHAFT | 56 |
| 4.8 | ASSEMBLING/DISASSEMBLING KIT | 57 |
| 4.9 | MACHINE AXIS | 58 |

5. PERFORMANCES

| | | |
|-----|---------------------------------------|-----|
| 5.1 | KXBC/KXAC GEARED MOTORS (50Hz) | 59 |
| 5.2 | KXB/KXA GEAR REDUCER - 1750 rpm | 126 |
| 5.3 | KXB/KXA GEAR REDUCER - 1400 rpm | 134 |
| 5.4 | KXB/KXA GEAR REDUCER - 1140 rpm | 142 |
| 5.5 | KXB/KXA GEAR REDUCER - 900 rpm | 150 |
| 5.6 | KXB/KXA GEAR REDUCER - 700 rpm | 158 |
| 5.7 | KXB/KXA GEAR REDUCER - 500 rpm | 166 |

6. SALES CONDITIONS

| | | |
|-----|------------------------|-----|
| 6.1 | SALES CONDITIONS | 174 |
|-----|------------------------|-----|

1.1.1 Symbols

| Physical dimension | Symbol | Symbol units of measure | Input | Output |
|---------------------|------------------|-------------------------|-----------------|-----------------|
| Power | P | [kW] | P ₁ | P ₂ |
| Requested power | Pr | [kW] | Pr ₁ | Pr ₂ |
| Nominal power | Pn | [kW] | Pn ₁ | Pn ₂ |
| Torque | M | [Nm] | M ₁ | M ₂ |
| Nominal torque | Mn | [Nm] | / | Mn ₂ |
| Requested torque | Mr | [Nm] | Mr ₁ | Mr ₂ |
| Speed | n | [rpm] | n ₁ | n ₂ |
| Force | F | [N] | / | / |
| Radial load | Fr | [N] | Fr ₁ | Fr ₂ |
| Axial load | Fa | [N] | Fa ₁ | Fa ₂ |
| Reduction ratio | i | [] | / | / |
| Dynamic efficiency | η _d | [] | / | / |
| Service factor | f.s. | [] | / | / |
| Static | s | [] | / | / |
| Dynamic | d | [] | / | / |
| Calculated | c | [] | / | / |
| Maximum | max | [] | / | / |
| Minimum | min | [] | / | / |
| Moment of inertia | J | [kgm ²] | J ₁ | J ₂ |
| Ambient temperature | T _{amb} | [°C] | / | / |
| Dimension | | [mm] | / | / |
| Angular backlash | y | [arcmin] | y ₁ | y ₂ |

1.1.2 Formulas

| REDUCER | | |
|---|--|-----------------------|
| Starting or stopping time | $t = v / a$ | [s] |
| Velocity in rotary motion | $v = \pi * d * n / 60$ $v = \omega * r$ | [m/s] |
| Speed velocity Angular velocity | $n = 60 * v / (\pi * d)$ $\omega = v / r$ | [rpm] [rad/s] |
| Acceleration or deceleration according to a starting / stopping time | $a = v / t$ | [m/s ²] |
| Angular acceleration | $\alpha = n / (9,55 * t)$ $\alpha = \omega / t$ | [rad/s ²] |
| Starting or stopping distance (according to acceleration / deceleration or angular velocity) | $s = a * t^2 / 2$ $s = v * t / 2$ | [m] |
| Horizontal translation force | $F = \mu * m * g$ | [N] |
| Vertical translation force (lifting) | $F = m * g$ | |
| Inclined plane translation force | $F = m * g (\mu * \cos\beta + \sin\beta)$ | |
| m= mass [kg]; g= gravity acceleration [m/s ²]; μ= friction coefficient; β= angle of inclination | | |
| Moment of inertia | $J = m * v^2 / \omega^2$ | [kgm ²] |
| Torque | $M = F * d / 2$ $M = J * \omega / t$ | [Nm] |

| MOTOR and GEARMOTOR | | |
|--|---|-------|
| Starting time | $t_a = (J_{ext} + J_m) * n_n / 9,55 + (M_{peak} - M_r)$ | [s] |
| Braking time | $t_s = (J_{ext} + J_m) * n_n / 9,55 + (M_{peak} + M_r)$ | [s] |
| Motor rotation angle during starting | $\varphi = n_n * t_a / 19,1$ | [rad] |
| Motor rotation angle during braking | $\varphi = n_n * t_s / 19,1$ | [rad] |
| Power available at the shaft of single phase motor | $P = V * I * \eta * \cos\omega$ | [W] |
| Power available at the shaft of three phase motor | $P = 1,73 * V * I * \eta * \cos\omega$ | [W] |

| RUNNING at 60Hz | | |
|--|---|-------|
| Speed velocity at 60Hz | $n_{60Hz} = 1,2 * n_{50Hz}$ | [rpm] |
| Power at 60Hz | $P_{1\ 60Hz} = P_{1\ 50Hz} * V_{60Hz} / V_{50Hz}$ | [kW] |
| If input voltage at 60 Hz (V _{60Hz}) corresponds to winding voltage at 50 Hz (V _{50Hz}), power doesn't change $P_{1\ 60Hz} = P_{1\ 50Hz}$ | | |
| If input voltage at 60 Hz (V _{60Hz}) is 20% higher than winding voltage at 50 Hz (V _{50Hz}), power increases by 20% $P_{1\ 60Hz} = 1,2 P_{1\ 50Hz}$ | | |
| Torque at 60Hz | $M_{60Hz} = M_{50Hz} * P_{1\ 60Hz} / (1,2 * P_{1\ 50Hz})$ | [Nm] |
| Service factor at 60Hz | $f.s_{60Hz} = f.s_{50Hz} * 1,175 * P_{1\ 50Hz} / P_{1\ 60Hz}$ | - |

For correctly selecting a gear reducer or geared motor, several essential pieces of data are required:

- A. The rotational input speed to the gear reducer (n_1) and the rotational output speed (n_2). Through these two values it is possible to calculate the reduction ratio (i) of the gear reducer using the following formula: $i = n_1/n_2$
- B. The torque required by the application (Mr_2).

The geared motor or gear reducer can be selected once this data is known.

This guide helps you to select the right product in just a few steps:

Geared motor selection

1. Determine the application's actual service factor (**s.f.**). This parameter depends on the type of load of the powered machine, the number of starts per hour and the hours of operation (refer to the "Service factor" paragraph).
2. Calculate the input power Pr_1 using the required torque value Mr_2 , the speed n_2 and dynamic efficiency value. $Pr_1 = (Mr_2 * n_2) / (9550 * \eta_d)$. The dynamic efficiency value depends on the type of gear reducer and on the number of gear reduction stages. (To calculate the efficiency value see its page).
3. Consult the geared motor performance tables and identify a normalised power value Pn_1 exceeding the required power Pr_1 , such that: $Pn_1 \geq Pr_1$
4. Once the suitable nominal power has been identified, select the geared motor capable of generating the rotational speed closest to the desired n_2 value and with service factor s.f. greater or equal to that required by the application.

In the geared motor selection tables the combinations include 2-pole, 4-pole and 6-pole motors powered at 50Hz.

Gear reducer selection

1. Determine the application's service factor (**s.f.**) (consult to the "Service factor" paragraph on its page) .
2. Calculate the reduction ratio i from the requested output speed n_2 and from the input speed n_1 . $i = n_1/n_2$
3. Calculate the torque M_{c_2} for selecting the gear reducer through the torque required by the application Mr_2 and the service factor s.f.: $M_{c_2} = Mr_2 * (f.s.)$
4. Consult the Gear Reducer Performance tables looking for the reducer that, with the reduction ratio closer to the calculated one, has a nominal torque Mn_2 so that: $Mn_2 \geq M_{c_2}$

Checks

Once the gear reducer or geared motor has been selected, the following checks should be performed:

A. Thermal power

The gear reducer's thermal power must be equal to or greater than the installed mechanical power, or the power required by the application according to the indications contained in the section (refer to the "Thermal power" paragraph).

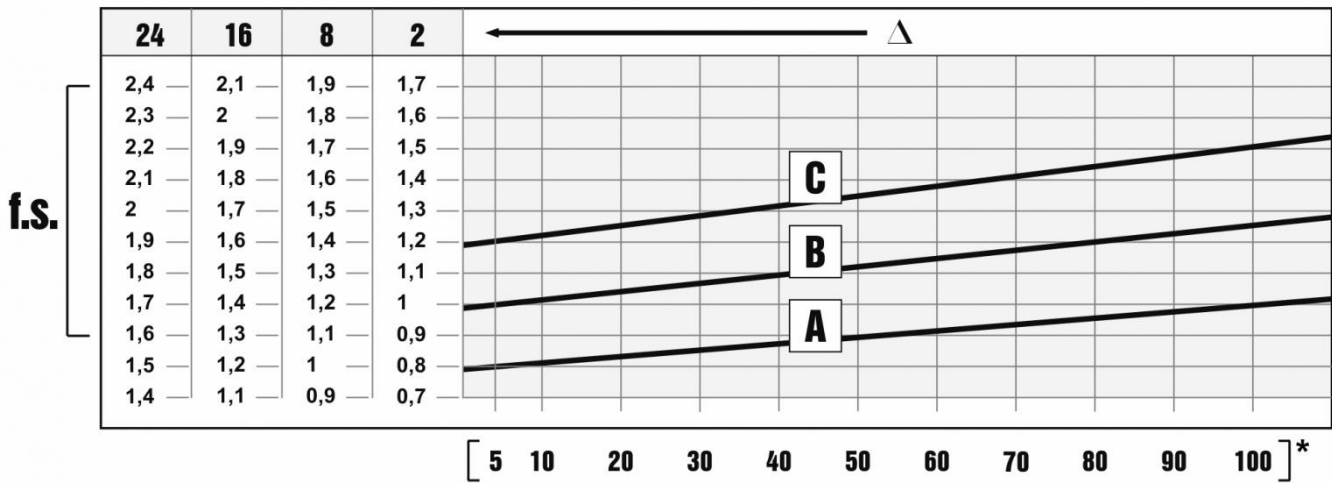
B. Maximum torque

Generally, the maximum torque (peak instantaneous load) that can be applied to the gear reducer must not exceed 200% of the nominal torque Mn_2 (ATEX - M_{2max}).

C. Radial loads

1. Verify that the radial loads acting on the input and/or output shafts are within with the values indicated in the catalogue. If they exceed these values, increase the size of the gear reducer or modify the external load capacity. During the checking phase, it is important to remember that the values indicated in the catalogue refer to loads acting on the mid-point of the shaft protrusion, therefore, if the load is applied to a different position, appropriate formulas must be used to calculate the admissible load in the desired position (refer to the "Radial loads" paragraph).
2. If accessory output shafts are present, make sure that the applied load is compatible with shaft size. If help is needed: contact MOTOVARIO S.A.U. TECHNICAL SERVICE.

D. If an electric motor is going to be fitted to the selected gear reducer, check for its applicability by referring to the configuration table (see paragraph "Motor flange availability"). From IEC 180 motors, verify if necessary to support the motor with feet. In case of need please contact MOTOVARIO S.A.U. TECHNICAL SERVICE.



The service factor (f.s.) depends on the operating conditions the gear reducer is subjected to. The parameters that need to be taken into consideration to select the most adequate service factor correctly comprise:

- type of load of the operated machine : A - B - C
- length of daily operating time: hours/day (Δ)
- start-up frequency: starts/hour (*)

LOAD:

- **A** - uniform = $f_a \leq 0,3$
- **B** - moderate shocks = $f_a \leq 3$
- **C** - heavy shocks = $f_a \leq 10$

$f_a = J_e/J_m$

- J_e [kgm^2] moment of reduced external inertia at the drive-shaft
- J_m [kgm^2] moment of inertia of motor

If $f_a > 10$ call our Technical Service.

- A. Screw feeders for light materials, fans, assembly lines, conveyor belts for light materials, small mixers, lifts, cleaning machines, fillers, control machines.
- B. Winding devices, woodworking machine feeders, goods lifts, balancers, threading machines, medium mixers, conveyor belts for heavy materials, winches, sliding doors, fertilizer scrapers, packing machines, concrete mixers, crane mechanisms, milling cutters, folding machines, gear pumps.
- C. Mixers for heavy materials, shears, presses, centrifuges, rotating supports, winches and lifts for heavy materials, grinding lathes, stone mills, bucket elevators, drilling machines, hammer mills, cam presses, folding machines, turntables, tumbling barrels, vibrators, shredders.

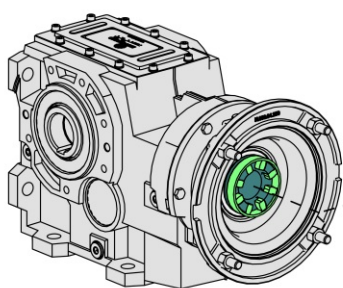
To install the gear reducer it is necessary to note the following recommendations:

- Check the correct direction of rotation of the gear reducer output shaft before fitting the unit to the machine.
- In the case of particularly lengthy periods of storage (4/6 months), if the oil seal is not immersed in the lubricant inside the unit, it is recommended to change it since the rubber could stick to the shaft or may even have lost the elasticity it needs to function properly.
- Whenever possible, protect the gear reducer against solar radiation and bad weather.
- Ensure the motor cools correctly by ensuring good passage of air from the fan side.
- In the case of ambient temperatures $< -5^{\circ}\text{C}$ or $> +40^{\circ}\text{C}$ call the Technical Service.
- The various parts (pulleys, gear wheels, couplings, shafts, etc.) must be mounted on the shafts using special threaded holes or other systems that anyhow ensure correct operation without risking damage to the bearings or external parts of the units. Lubricate the surfaces in contact to avoid seizure or oxidation.
- Painting must definitely not go over rubber parts and the holes on the breather plugs, if any.
- For units equipped with oil plugs, replace the closed plug used for shipping with the special breather plug.
- Check the correct level of the lubricant through the indicator, if there is one.
- Starting must take place gradually, without immediately applying the maximum load.
- When there are parts, objects or materials under the motor drive that can be damaged by even limited spillage of oil, special protection should be fitted.

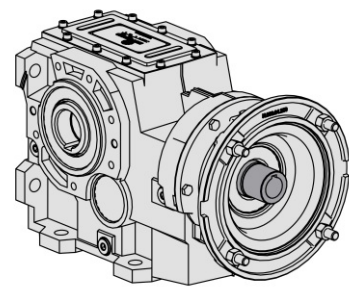
Assembling motor on pam flange

When the unit is supplied without motor, it is necessary to follow these recommendation to ensure the correct assembly of the electric motor. Check that the tolerances for the motor shaft and flange correspond to the "standard". Carefully clean the shaft, spigot and surfaces of the flange removing traces of paint and dirt, and confirm the key is fitted correctly. Fit the half coupling/sleeve to the motor shaft (see picture) taking care to ensure the motor shaft and bearings are not damaged by avoiding excessive force and where necessary using assembly equipment. Place the couplings elastic element onto the motor half coupling and position the motor up to the gear unit ensuring the coupling element is aligned with the driven half coupling. Complete the assembly using the fixing bolts. Key-ways with tightened tolerances.

Flexible joint



PAM Sleeve



MOTOVARIO S.A.U. products are supplied with the following surface treatment features:

Die-cast aluminium alloy cases for gears

Die-cast materials undergo the following surface cleaning operations:

- De-burring by means of a mechanically operated shearing system.
- Accurate shot-peening.
- Painting.
- Washing and passivation.

Grey-coloured cast-iron cases for gears

- Die-cast materials are always painted.

Grey-coloured cast-iron inspection cover

- The gear reducer KXB... series sizes 703, 903, 1003 are supplied with grey-coloured cast-iron closing cover and a metal nameplate printed.

Painting specifications:

- Orange-peel blue epoxy-polyester RAL 5010. Polyester resin based heat-hardening powders, altered with epoxy resins.

Mechanical properties

- Tests carried out onto degreased Unichim white lattens (film thickness: 60 microns) comply with the following specifications: adherence (ISO2409).

Heat resistance

- 24 HOURS AT 150°C.

Corrosion strength

- ASTM B 117/97 salt fog from 100 to 500 hours depending on the support's preliminary treatment.

Performance:

- Loading capacity in accordance with DIN 3990, ISO 6336, AGMA 2101, ISO 10300, DIN 3991, ISO 281, DIN 743

Efficiency η :

- The efficiency is the ratio between the output power P_2 and the power absorbed by the gear reducer P_1 : $\eta = P_2/P_1$

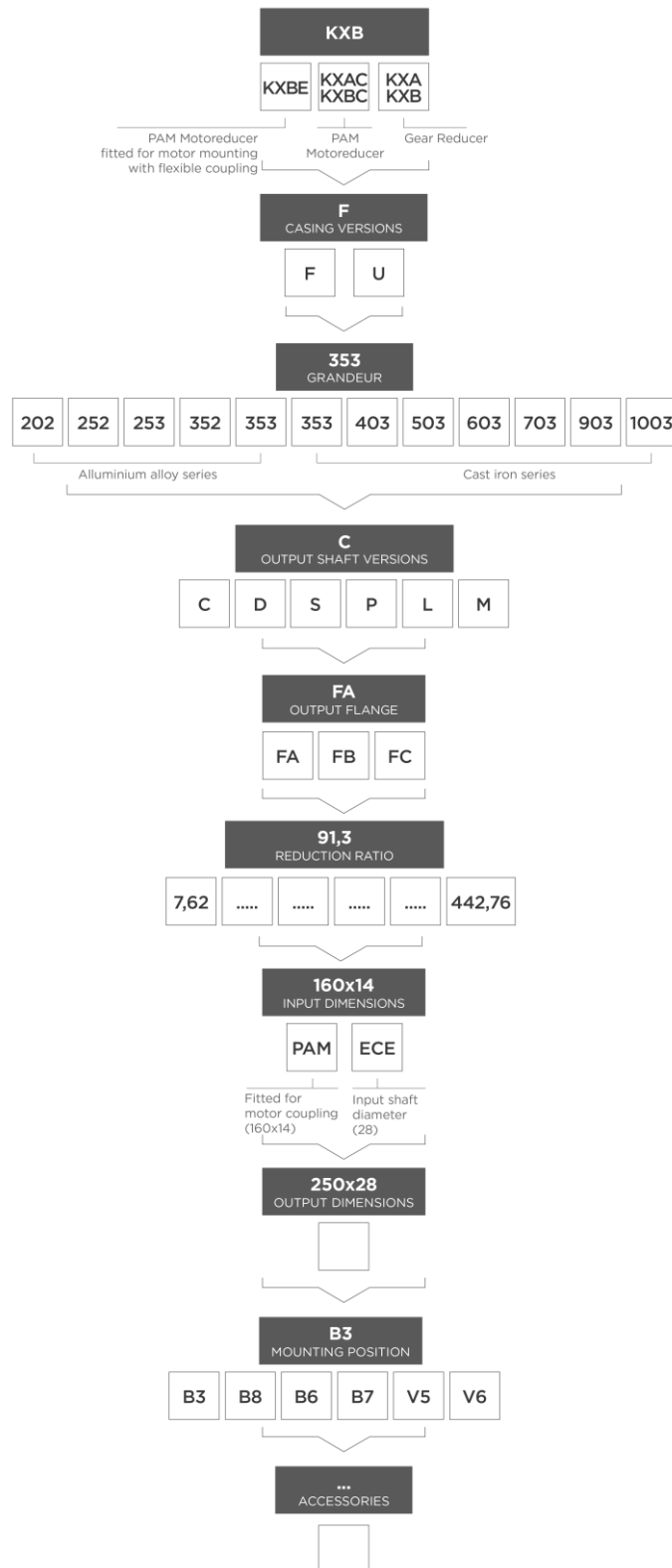
KXB/KXA-range helical bevel gear reducers have an average value equal to:

KXB..3 stages = 0,9

KXA.2 stages = 0,95

KXA.3 stages = 0,9

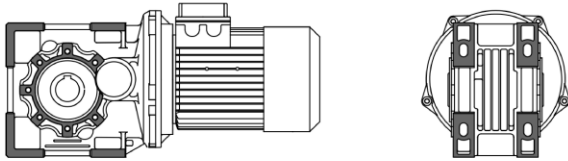
2.2.1 Designation



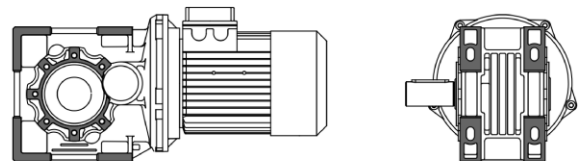
2.2.2 Versions

KXA 202 - 252/3 - 352/3

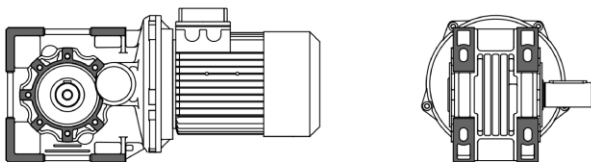
U FOOT-FLANGE MOUNTING / C HOLLOW SHAFT



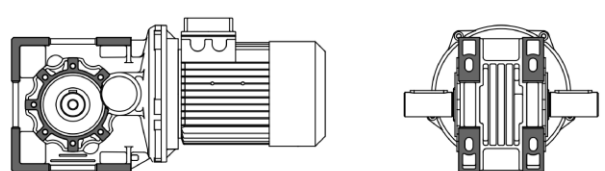
U FOOT-FLANGE MOUNTING / D SOLID SHAFT



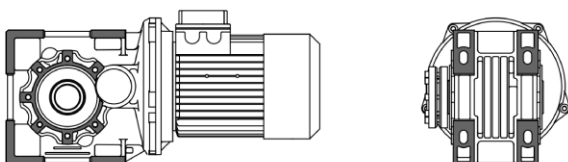
U FOOT-FLANGE MOUNTING / S SOLID SHAFT



U FOOT-FLANGE MOUNTING / P DOUBLE OUTPUT SHAFT



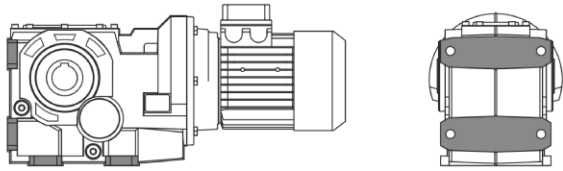
U FOOT-FLANGE MOUNTING / L SHRINK DISC SHAFT



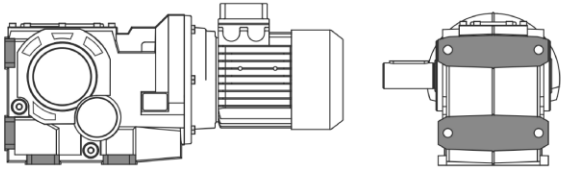
Sizes KXA202 - KXA252 - KXA253 are not available in versions D-S-P.

KXB 353 - 403 - 503 - 603

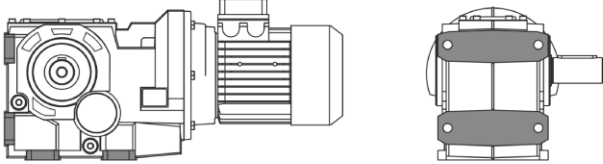
FOOT MOUNTING / C HOLLOW SHAFT



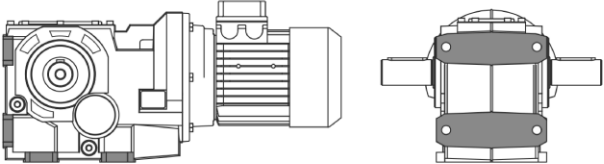
FOOT MOUNTING / D SOLID SHAFT



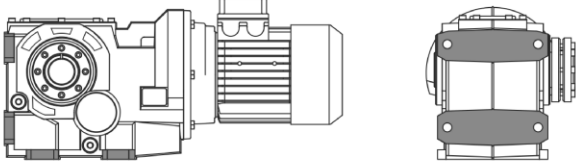
FOOT MOUNTING / S SOLID SHAFT



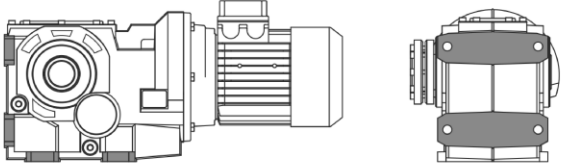
FOOT MOUNTING / P DOUBLE OUTPUT SHAFT



FOOT MOUNTING / L SHRINK DISC SHAFT

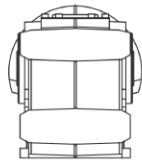
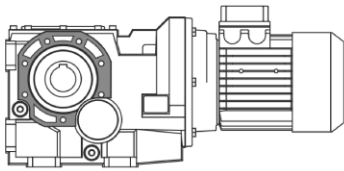


FOOT MOUNTING / M SHRINK DISC SHAFT

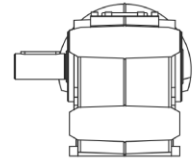
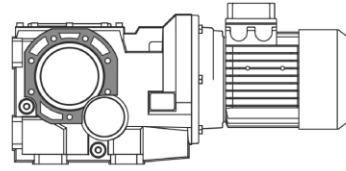


KXB 353 - 403 - 503 - 603

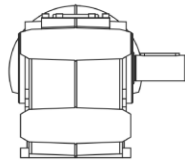
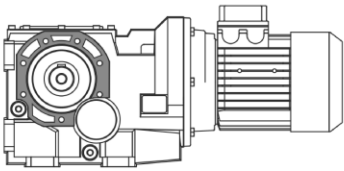
F FLANGE MOUNTING / C HOLLOW SHAFT



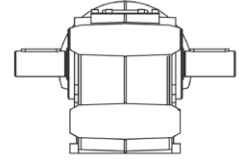
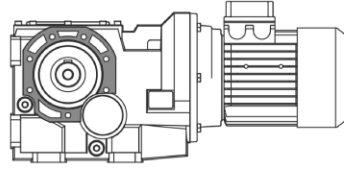
F FLANGE MOUNTING / D SOLID SHAFT



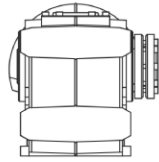
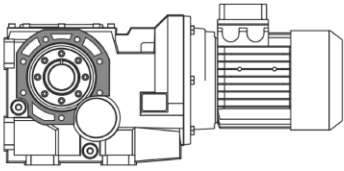
F FLANGE MOUNTING / S SOLID SHAFT



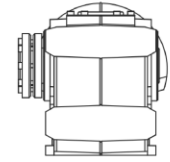
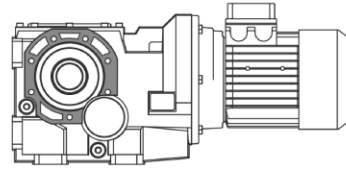
F FLANGE MOUNTING / P DOUBLE OUTPUT SHAFT



F FLANGE MOUNTING / L SHRINK DISC SHAFT

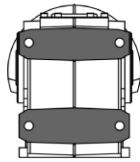
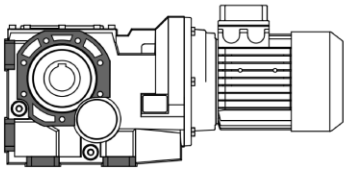


F FLANGE MOUNTING / D SHRINK DISC SHAFT

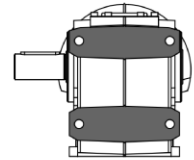
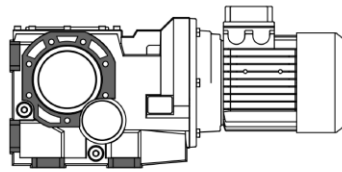


KXB 353 - 403 - 503 - 603 - 703 - 903 - 1003

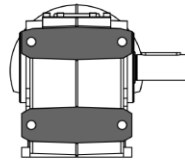
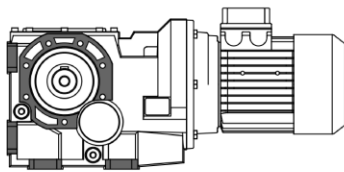
U FOOT-FLANGE MOUNTING / C HOLLOW SHAFT



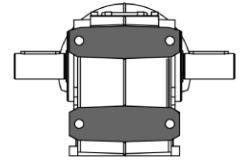
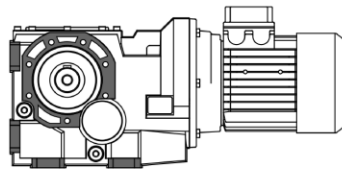
U FOOT-FLANGE MOUNTING / D SOLID SHAFT



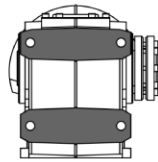
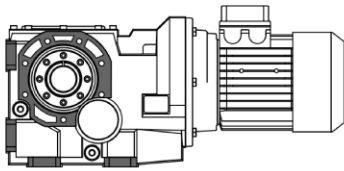
U FOOT-FLANGE MOUNTING / S SOLID SHAFT



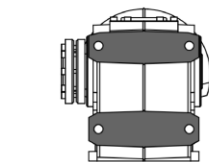
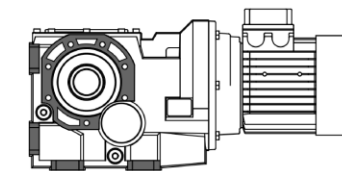
U FOOT-FLANGE MOUNTING / DOUBLE OUTPUT SHAFT



U FOOT-FLANGE MOUNTING / L SHRINK DISC SHAFT

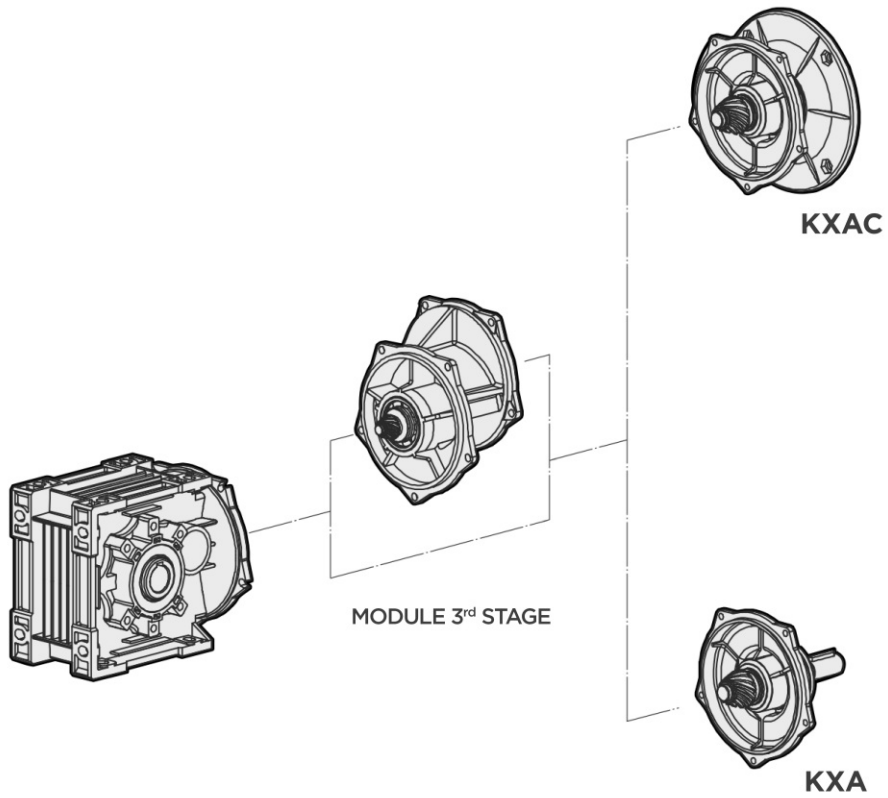


U FOOT-FLANGE MOUNTING / M SHRINK DISC SHAFT



2.2.3 Modularity

BA ALUMINIUM ALLOY SERIES



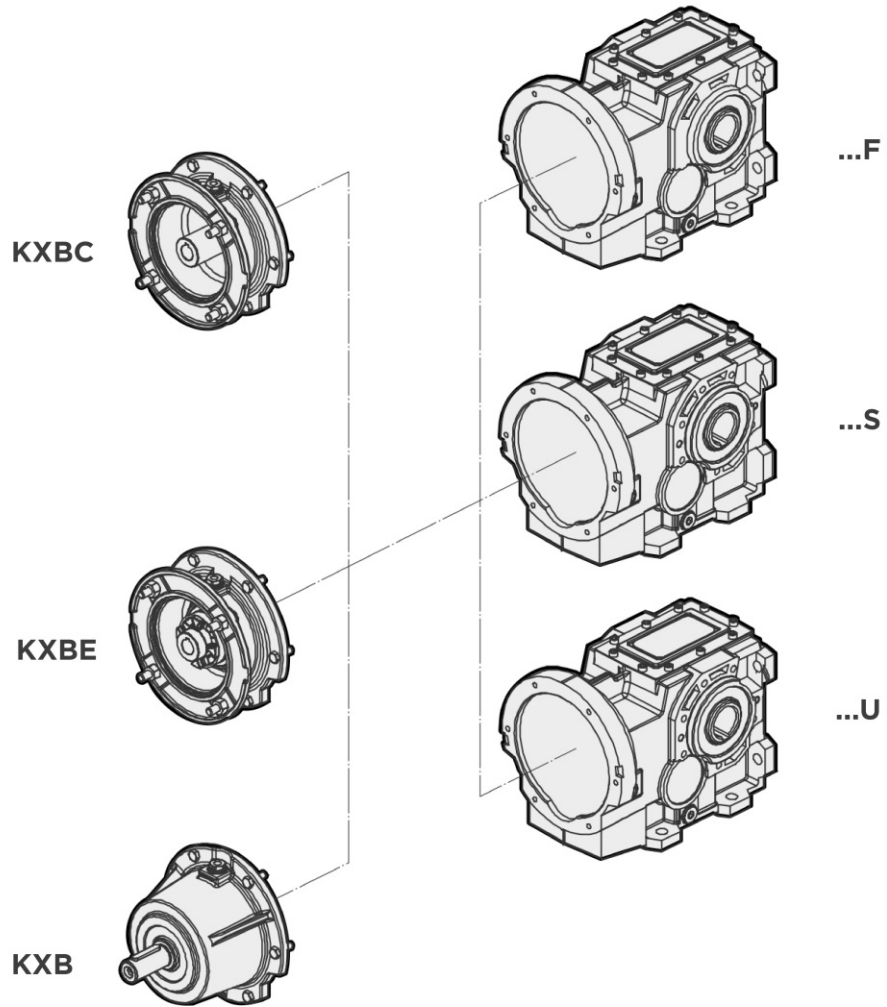
KXAC

Fitted for motor coupling version (PAM)

KXA

Input shaft versions

B GREY CAST IRON SERIES



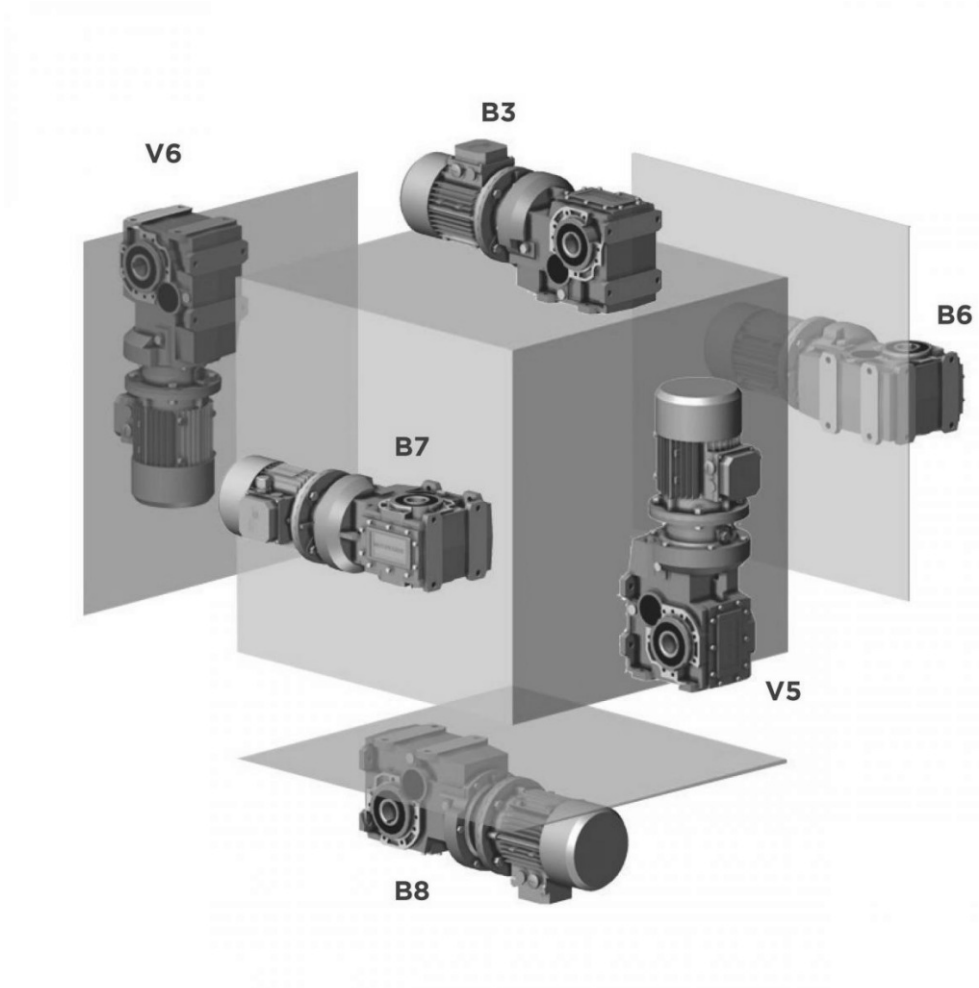
KXBC
Fitted for motor coupling version (PAM)

KXBE
Fitted for motor mounting with flexible coupling

KXB
Input shaft versions

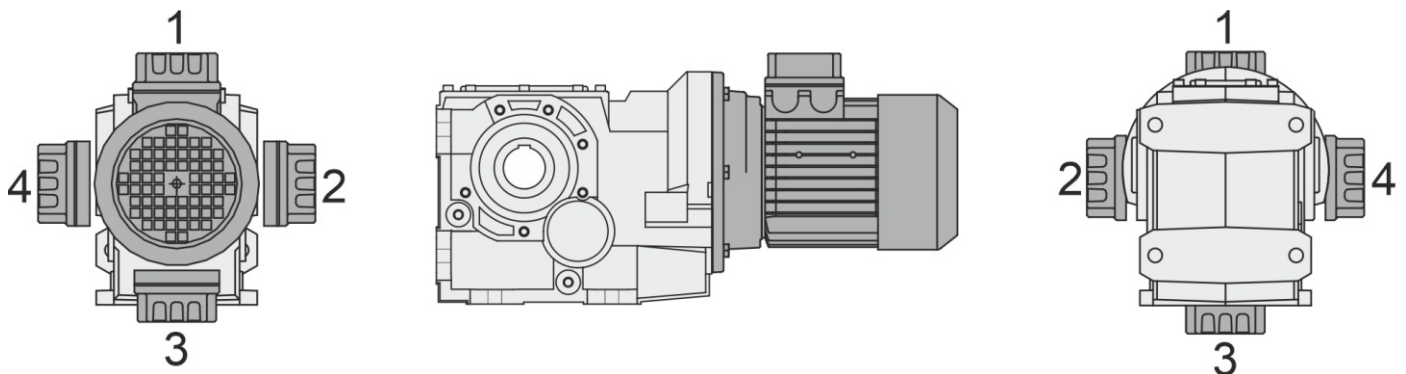
2.3.1 Mounting positions

The mounting position of the gear unit identifies its space orientation. B3 mounting position, as from a technical point of view, ensures lower oil splash, better lubrication and less heating.



2.3.2 Position of terminal box

Unless otherwise specified when ordering, the gear reducer is supplied with terminal box in position 1.



2.4.1 Information

The scheme below indicates the nominal thermal power capacity [kW] according to the following conditions:

- mounting position B3
- continuous operation at input speed ≤ 1500 rpm
- environment temperature $T_{amb}=25^{\circ}\text{C}$
- sea level altitude
- air speed around the gear reducer $\geq 1\text{m/s}$
- absence of external radial and/or axial loads

| $n_1 = 1500\text{rpm}$ | |
|------------------------|----------|
| | Pth [kW] |
| KXB353 | 10,5 |
| KXB403 | 11 |
| KXB503 | 12,5 |
| KXB603 | 19 |
| KXB703 | 22,5 |
| KXB903 | 38 |
| KXB1003 | 55 |

A correct lubrication and a proper running condition of the gearbox are guaranteed only applying an input power not exceeding Pth (at the above reference conditions) ($T_{oil\ max}=95^{\circ}\text{C}$).

NOTE: For the KXA series it is not necessary to check the thermal power.

2.4.2 Verification

Application check

Except for continuous operating times below two hours and successive pauses capable of bringing the gear reducer back to ambient temperature, for each application it is peremptory to verify the gear reducer's thermal limit according to the following formula: $P_1 < P_{th} * F_c * F_v * F_a$, where:

- P_1 = input power to the gear reducer [kW]
- P_{th} = thermal power at the reference conditions [kW] (see above table)
- F_c = ambient and operating temperature correction factor
- F_v = ventilation correction factor
- F_a = altitude correction factor

The correction factors refer to different operating conditions compared to the reference conditions, and are provided by the following ISO14179 tables:

| Ambient temperature $^{\circ}\text{C}$ | F_c | Duty per hour of operation % | | | | |
|--|-------|------------------------------|------|------|------|----|
| | | 100 | 80 | 70 | 40 | 20 |
| 10 | 1,15 | 1,21 | 1,32 | 1,55 | 2,07 | |
| 18 | 1,07 | 1,12 | 1,23 | 1,44 | 1,93 | |
| 25 | 1,00 | 1,05 | 1,15 | 1,35 | 1,80 | |
| 30 | 0,93 | 0,98 | 1,07 | 1,26 | 1,67 | |
| 40 | 0,83 | 0,87 | 0,95 | 1,12 | 1,49 | |
| 43 | 0,75 | 0,79 | 0,86 | 1,01 | 1,35 | |
| 50 | 0,67 | 0,70 | 0,77 | 0,90 | 1,21 | |

| Altitude (m) | F_a |
|--------------|-------|
| 0* | 1 |
| 750 | 0,95 |
| 1500 | 0,9 |
| 2250 | 0,85 |
| 3000 | 0,81 |

| Ventilation correction factor | F_v |
|--|-------|
| Stagnant air (<0,5 m/s) | 0.75 |
| Indoor installation with slight ventilation | 1 |
| Indoor installation with good ventilation (>1,4 m/s) | 1.4 |
| Installazione all'aperto (>3,7 m/s) | 1.9 |

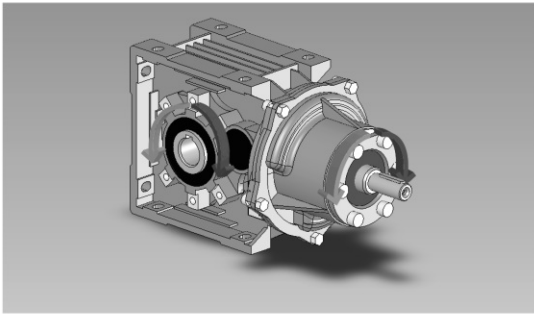
*Sea level

In case of operation at input speeds exceeding 2000 rpm, or ambient temperatures greater than 40°C , it is advisable to contact our technical department.

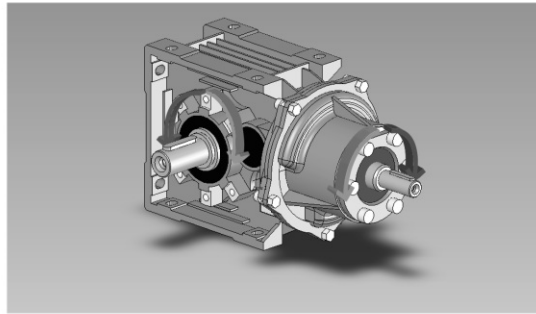
Helical bevel reduction units are supplied as “standard” with rotation as shown in the diagram. On request, the direction of rotation of low speed shaft can be reversed; in this case, it is necessary to specify “opposite rotation to catalogue” when ordering. The “opposite rotation to catalogue” is not possible for sizes KXA202 - KXA252 - KXA253.

DIRECTION OF ROTATION - HIGH SPEED SHAFT

KXA - KXAC 202-252-352

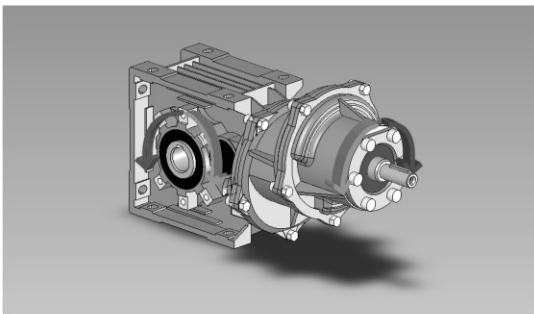


VERSIONS C-D-P-L

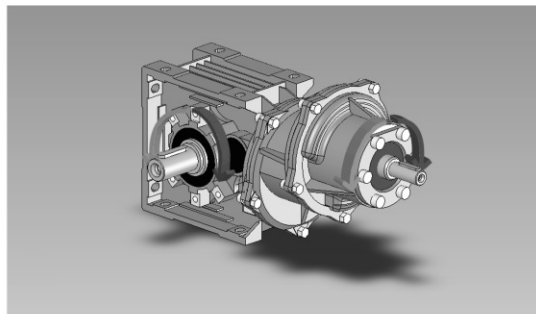


VERSION S

KXA - KXAC 253-353

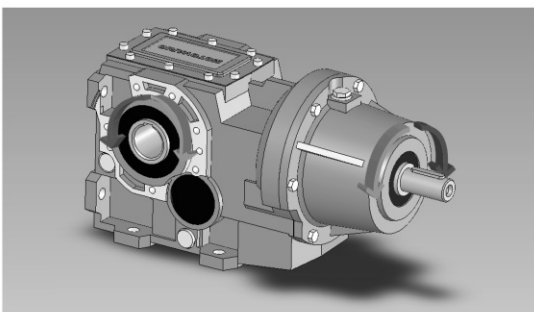


VERSIONS C-D-P-L

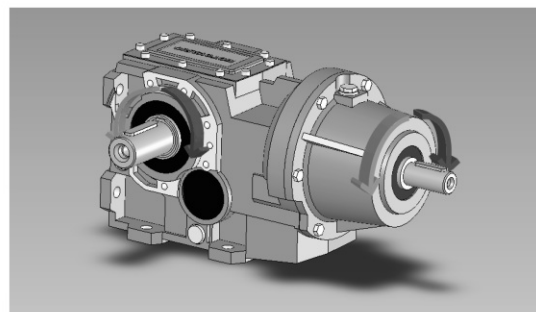


VERSION S

KXB - KXBC - KXBE 353... 1003



VERSIONS C-D-P-L



VERSIONS S-M

2.6.1 Critical applications

| | KXA | | |
|------------------|-----|---------|---------|
| | 202 | 252-253 | 352-353 |
| 2000 < n1 < 3000 | ✓ | ✓ | ✓ |
| V6 | B | B | B |
| n1 > 3000 | B | B | B |
| ...L : B6 - B7 | B | B | B |

| | KXB | | | | | | |
|------------------|-----|-----|-----|-----|-----|-----|------|
| | 353 | 403 | 503 | 603 | 703 | 903 | 1003 |
| 2000 < n1 < 3000 | ✓ | ✓ | ✓ | B | B | B | B |
| V6 | B | B | B | B | B | B | B |
| n1 > 3000 | B | B | B | B | A | A | A |
| ...L : B6 - B7 | B | B | B | B | B | B | B |

- ✓ Verified application
- A Application not recommended
- B Check the application and/or call our technical service

The shrink disc is designed only to transmit the output torque.
 In case of mounting position with radial and/or axial loads, please contact the technical support.

2.6.2 Information

The performance given in the catalogue correspond to mounting position B3 or similar, when the first stage is not entirely immersed in oil. For other mounting positions and/or particular input speeds, refer to the tables that highlight different critical situations for each size of gear reducer. It is also necessary to take due consideration of and carefully assess the following applications by calling our Technical Service:

- To avoid the use as multiplier.
- Use in services that could be hazardous for people if the gear reducer fails.
- Applications with especially high inertia.
- Use as a lifting winch.
- Applications with high dynamic strain on the case of the gear reducer.
- In places with T_{amb} under -5°C or over 40°C.
- Use in chemically aggressive environments.
- Use in a salty environment.
- Mounting positions not envisaged in the catalogue.
- Use in radioactive environments.
- Use in environments pressures other than atmospheric pressure.

Avoid applications where even partial immersion of the reducer is required.
 In the presence of overloading due to full load, braking, shocks or other static and dynamic causes, please verify that the peak torque is less than 2*Mn₂.

2.7.1 KXA Motor flange availability

These tables report all possible dimensions. Please verify service factor.

| | i | O63 | O71 | O80 | O90 | 100 | 112 |
|----------------|-----------------|-----|--------|----------|--------|--------|--------|
| KXAC202 | 7,62 ÷ 64,13 | B5 | B5-B14 | B5 - B14 | | | |
| KXAC202 | 78,17 | B5 | B5-B14 | | | | |
| KXAC252 | 7,91 ÷ 31,63 | B5 | B5-B14 | B5-B14 | B5-B14 | | |
| KXAC252 | 35,1 ÷ 64,87 | B5 | B5-B14 | B5-B14 | | | |
| KXAC252 | 79,07 | B5 | B5-B14 | | | | |
| KXAC253 | 73,7 ÷ 172,53 | B5 | B5-B14 | B5-B14 | B5-B14 | | |
| KXAC253 | 197,11 ÷ 342,65 | B5 | B5-B14 | | | | |
| KXAC352 | 8,36 ÷ 22,19 | | | | B5-B14 | B5-B14 | B5-B14 |
| KXAC352 | 27,45 ÷ 40,87 | | | B5-B14 | B5-B14 | B5-B14 | B5-B14 |
| KXAC352 | 45,64 ÷ 67,96 | | | B5-B14 | B5-B14 | | |
| KXAC353 | 43,89 ÷ 222,93 | B5 | B5-B14 | B5-B14 | B5-B14 | | |
| KXAC353 | 260,2 ÷ 442,76 | B5 | B5-B14 | | | | |

2.7.2 KXB Motor flange availability

These tables report all possible dimensions. Please verify service factor.

*For motor size 063 the KXBE version does not exist.

| KXBC - KXBE 353 | | | | | |
|-----------------|------|-----|-----|-----|---------|
| i | *063 | 071 | 080 | 090 | 100-112 |
| 5,71 | | | B5 | B5 | B5 |
| 6,88 | | | B5 | B5 | B5 |
| 7,32 | | B5 | B5 | B5 | B5 |
| 9,16 | | | B5 | B5 | B5 |
| 10,26 | | | B5 | B5 | B5 |
| 11,03 | | | B5 | B5 | B5 |
| 12,35 | | | B5 | B5 | B5 |
| 13,15 | | B5 | B5 | B5 | B5 |
| 15,18 | | B5 | B5 | B5 | B5 |
| 17,00 | | B5 | B5 | B5 | B5 |
| 22,39 | | B5 | B5 | B5 | B5 |
| 26,09 | | | B5 | B5 | B5 |
| 28,03 | | | B5 | B5 | B5 |
| 33,43 | | B5 | B5 | B5 | B5 |
| 38,58 | | B5 | B5 | B5 | B5 |
| 43,22 | | B5 | B5 | B5 | B5 |
| 50,81 | | B5 | B5 | B5 | B5-B11 |
| 56,93 | | B5 | B5 | B5 | B5-B11 |
| 69,16 | B5 | B5 | B5 | B5 | |
| 77,48 | B5 | B5 | B5 | B5 | |
| 90,33 | B5 | B5 | B5 | | |
| 101,20 | B5 | B5 | B5 | | |
| 111,74 | B5 | B5 | B5 | | |
| 124,20 | B5 | B5 | B5 | | |
| 139,15 | B5 | B5 | B5 | | |
| 157,42 | B5 | B5 | B5 | | |

| KXBC - KXBE 403 | | | | | |
|-----------------|-----|-----|-----|-----|-----|
| i | 080 | 090 | 100 | 112 | 132 |
| 7,81 | B5 | B5 | B5 | B5 | B5 |
| 8,62 | B5 | B5 | B5 | B5 | B5 |
| 10,49 | B5 | B5 | B5 | B5 | B5 |
| 11,59 | B5 | B5 | B5 | B5 | B5 |
| 14,43 | B5 | B5 | B5 | B5 | B5 |
| 16,60 | B5 | B5 | B5 | B5 | B5 |
| 18,32 | B5 | B5 | B5 | B5 | B5 |
| 22,82 | B5 | B5 | B5 | B5 | B5 |
| 26,71 | B5 | B5 | B5 | B5 | B5 |
| 29,50 | B5 | B5 | B5 | B5 | B5 |
| 31,80 | B5 | B5 | B5 | B5 | B5 |
| 34,49 | B5 | B5 | B5 | B5 | B5 |
| 39,60 | B5 | B5 | B5 | B5 | B5 |
| 42,95 | B5 | B5 | B5 | B5 | B5 |
| 45,44 | B5 | B5 | B5 | B5 | B5 |
| 51,19 | B5 | B5 | B5 | B5 | B5 |
| 55,52 | B5 | B5 | B5 | B5 | B5 |
| 59,96 | B5 | B5 | B5 | B5 | B5 |
| 63,74 | B5 | B5 | B5 | B5 | B5 |
| 69,14 | B5 | B5 | B5 | B5 | B5 |
| 73,14 | B5 | B5 | B5 | B5 | B5 |
| 80,76 | B5 | B5 | B5 | B5 | B5 |
| 92,19 | B5 | B5 | B5 | B5 | |
| 100,57 | B5 | B5 | B5 | B5 | B5 |
| 105,29 | B5 | B5 | B5 | B5 | |
| 116,25 | B5 | B5 | B5 | B5 | |
| 126,76 | B5 | B5 | B5 | B5 | |
| 144,77 | B5 | B5 | B5 | B5 | |

2.7 MOTOR FLANGE AVAILABILITY

| KXBC - KXBE 503 | | | | | | |
|-----------------|-----|-----|-----|-----|-----|-----|
| i | 080 | 090 | 100 | 112 | 132 | 160 |
| 8,13 | B5 | B5 | B5 | B5 | B5 | B5 |
| 8,97 | B5 | B5 | B5 | B5 | B5 | B5 |
| 10,92 | B5 | B5 | B5 | B5 | B5 | B5 |
| 12,05 | B5 | B5 | B5 | B5 | B5 | B5 |
| 14,99 | B5 | B5 | B5 | B5 | B5 | B5 |
| 17,27 | B5 | B5 | B5 | B5 | B5 | B5 |
| 19,06 | B5 | B5 | B5 | B5 | B5 | B5 |
| 23,7 | B5 | B5 | B5 | B5 | B5 | B5 |
| 26,51 | B5 | B5 | B5 | B5 | B5 | B5 |
| 30,55 | B5 | B5 | B5 | B5 | B5 | B5 |
| 33,07 | B5 | B5 | B5 | B5 | B5 | |
| 35,87 | B5 | B5 | B5 | B5 | B5 | |
| 41,12 | B5 | B5 | B5 | B5 | B5 | |
| 44,61 | B5 | B5 | B5 | B5 | B5 | |
| 47,28 | B5 | B5 | B5 | B5 | B5 | |
| 50,24 | B5 | B5 | B5 | B5 | B5 | |
| 53,02 | B5 | B5 | B5 | B5 | B5 | |
| 58,5 | B5 | B5 | B5 | B5 | B5 | |
| 64,89 | B5 | B5 | B5 | B5 | B5 | |
| 68,58 | B5 | B5 | B5 | B5 | B5 | |
| 72,76 | B5 | B5 | B5 | B5 | B5 | |
| 78,92 | B5 | B5 | B5 | B5 | B5 | |
| 83,66 | B5 | B5 | B5 | B5 | B5 | |
| 92,31 | B5 | B5 | B5 | B5 | B5 | |
| 105,44 | B5 | B5 | B5 | B5 | | |
| 114,8 | B5 | B5 | B5 | B5 | B5 | |
| 120,42 | B5 | B5 | B5 | B5 | | |
| 132,87 | B5 | B5 | B5 | B5 | | |
| 144,69 | B5 | B5 | B5 | B5 | | |
| 165,25 | B5 | B5 | B5 | B5 | | |

| KXBC - KXBE 603 | | | | | | |
|-----------------|-----|-----|-----|-----|-----|-----|
| i | 090 | 100 | 112 | 132 | 160 | 180 |
| 7,97 | | | | B5 | B5 | B5 |
| 9,62 | | | | B5 | B5 | B5 |
| 10,33 | | | | B5 | B5 | B5 |
| 12,48 | | | | B5 | B5 | B5 |
| 13,84 | | | | B5 | B5 | B5 |
| 15,38 | | | | B5 | B5 | B5 |
| 18,58 | | | | B5 | B5 | B5 |
| 20,61 | | | | B5 | B5 | B5 |
| 22,78 | | | | B5 | B5 | B5 |
| 25,89 | | B5 | B5 | B5 | B5 | B5 |
| 27,51 | | | | B5 | B5 | B5 |
| 30,79 | | | | B5 | B5 | B5 |
| 31,26 | | B5 | B5 | B5 | B5 | B5 |
| 34,68 | | B5 | B5 | B5 | B5 | B5 |
| 40,53 | | B5 | B5 | B5 | B5 | B5 |
| 44,89 | | B5 | B5 | B5 | B5 | B5 |
| 49,8 | | B5 | B5 | B5 | B5 | B5 |
| 54,3 | | B5 | B5 | B5 | B5 | B5 |
| 59,36 | | B5 | B5 | B5 | B5 | B5 |
| 62,59 | | B5 | B5 | B5 | B5 | B5 |
| 69,43 | | B5 | B5 | B5 | B5 | B5 |
| 74,42 | | B5 | B5 | B5 | B5 | B5 |
| 80,04 | B5 | B5 | B5 | B5 | | |
| 89,87 | | B5 | B5 | B5 | B5 | B5 |
| 99,7 | | B5 | B5 | B5 | B5 | B5 |
| 106,65 | B5 | B5 | B5 | B5 | | |
| 119,6 | B5 | B5 | B5 | B5 | | |
| 129,96 | B5 | B5 | B5 | B5 | | |
| 144,43 | B5 | B5 | B5 | B5 | | |
| 160,23 | B5 | B5 | B5 | B5 | | |
| 180,4 | B5 | B5 | B5 | B5 | | |

2.7 MOTOR FLANGE AVAILABILITY

| KXBC - KXBE 703 | | | | | | |
|-----------------|-----|-----|-----|-----|-----|-----|
| i | 100 | 112 | 132 | 160 | 180 | 200 |
| 10,84 | | | B5 | B5 | B5 | B5 |
| 11,87 | | | B5 | B5 | B5 | B5 |
| 14,49 | | | B5 | B5 | B5 | B5 |
| 17,04 | | | B5 | B5 | B5 | B5 |
| 18,66 | | | B5 | B5 | B5 | B5 |
| 21 | | | B5 | B5 | B5 | B5 |
| 22,77 | | | B5 | B5 | B5 | B5 |
| 25,63 | | | B5 | B5 | B5 | B5 |
| 27,44 | B5 | B5 | B5 | B5 | B5 | B5 |
| 30,05 | B5 | B5 | B5 | B5 | B5 | B5 |
| 33,01 | | | B5 | B5 | B5 | B5 |
| 36,67 | B5 | B5 | B5 | B5 | B5 | B5 |
| 40,29 | | | B5 | B5 | B5 | B5 |
| 44,16 | B5 | B5 | B5 | B5 | B5 | B5 |
| 48,35 | B5 | B5 | B5 | B5 | B5 | B5 |
| 53,16 | B5 | B5 | B5 | B5 | B5 | B5 |
| 54,63 | B5 | B5 | B5 | B5 | B5 | B5 |
| 59,02 | B5 | B5 | B5 | B5 | B5 | B5 |
| 64,88 | B5 | B5 | B5 | B5 | B5 | B5 |
| 70,43 | B5 | B5 | B5 | B5 | B5 | |
| 77,12 | B5 | B5 | B5 | B5 | B5 | |
| 85,54 | B5 | B5 | B5 | B5 | B5 | B5 |
| 94,13 | B5 | B5 | B5 | B5 | B5 | |
| 105,83 | B5 | B5 | B5 | | | |
| 111,94 | B5 | B5 | B5 | B5 | B5 | |
| 124,62 | B5 | B5 | B5 | B5 | B5 | |
| 136,44 | B5 | B5 | B5 | B5 | B5 | |
| 149,59 | B5 | B5 | B5 | B5 | B5 | |
| 166,53 | B5 | B5 | B5 | B5 | B5 | |
| 187,24 | B5 | B5 | B5 | | | |

| KXBC - KXBE 903 | | | | | |
|-----------------|-----|-----|-----|-----|-----|
| i | 132 | 160 | 180 | 200 | 225 |
| 10,49 | | B5 | B5 | B5 | B5 |
| 12,64 | | B5 | B5 | B5 | B5 |
| 14,01 | | B5 | B5 | B5 | B5 |
| 15,40 | | B5 | B5 | B5 | B5 |
| 18,56 | | B5 | B5 | B5 | B5 |
| 20,56 | | B5 | B5 | B5 | B5 |
| 23,86 | | B5 | B5 | B5 | B5 |
| 25,19 | B5 | B5 | B5 | B5 | B5 |
| 28,23 | B5 | B5 | B5 | B5 | B5 |
| 30,35 | B5 | B5 | B5 | B5 | B5 |
| 33,63 | B5 | B5 | B5 | B5 | B5 |
| 35,02 | | B5 | B5 | B5 | B5 |
| 38,81 | | B5 | B5 | B5 | B5 |
| 42,30 | B5 | B5 | B5 | B5 | B5 |
| 47,53 | B5 | B5 | B5 | B5 | B5 |
| 50,56 | B5 | B5 | B5 | B5 | B5 |
| 54,64 | B5 | B5 | B5 | B5 | B5 |
| 57,27 | B5 | B5 | B5 | B5 | B5 |
| 60,92 | B5 | B5 | B5 | B5 | B5 |
| 63,47 | B5 | B5 | B5 | B5 | B5 |
| 71,10 | B5 | B5 | B5 | | |
| 77,22 | B5 | B5 | B5 | B5 | B5 |
| 83,90 | B5 | B5 | B5 | | |
| 87,70 | B5 | B5 | B5 | | |
| 93,05 | B5 | B5 | B5 | B5 | B5 |
| 103,12 | B5 | B5 | B5 | B5 | B5 |
| 123,90 | B5 | B5 | B5 | | |
| 134,30 | B5 | B5 | B5 | | |
| 149,30 | B5 | B5 | B5 | | |
| 165,40 | B5 | B5 | B5 | | |

| KXBC - KXBE 1003 | | | | | | |
|------------------|-----|-----|-----|-----|-----|-----|
| i | 160 | 180 | 200 | 225 | 250 | 280 |
| 8,89 | | B5 | B5 | B5 | B5 | B5 |
| 10,58 | | B5 | B5 | B5 | B5 | B5 |
| 11,87 | | B5 | B5 | B5 | B5 | B5 |
| 12,81 | | B5 | B5 | B5 | B5 | B5 |
| 14,08 | | B5 | B5 | B5 | B5 | B5 |
| 15,52 | | B5 | B5 | B5 | B5 | B5 |
| 16,39 | | B5 | B5 | B5 | B5 | B5 |
| 18,02 | B5 | B5 | B5 | B5 | B5 | B5 |
| 19,96 | B5 | B5 | B5 | B5 | B5 | |
| 21,94 | B5 | B5 | B5 | B5 | B5 | B5 |
| 24,17 | B5 | B5 | B5 | B5 | B5 | B5 |
| 26,58 | B5 | B5 | B5 | B5 | B5 | B5 |
| 28,80 | B5 | B5 | B5 | B5 | B5 | |
| 30,92 | B5 | B5 | B5 | B5 | B5 | B5 |
| 34,25 | B5 | B5 | B5 | B5 | B5 | |
| 37,66 | B5 | B5 | B5 | B5 | B5 | |
| 40,65 | B5 | B5 | B5 | B5 | B5 | |
| 45,09 | B5 | B5 | B5 | B5 | B5 | |
| 51,00 | B5 | B5 | B5 | B5 | B5 | |
| 53,63 | B5 | B5 | B5 | B5 | B5 | |
| 58,97 | B5 | B5 | B5 | B5 | B5 | |
| 69,78 | B5 | B5 | B5 | B5 | | |
| 76,72 | B5 | B5 | B5 | | | |
| 87,54 | B5 | B5 | B5 | | | |
| 96,25 | B5 | B5 | B5 | | | |
| 103,93 | B5 | B5 | B5 | | | |
| 114,27 | B5 | B5 | | | | |
| 126,29 | B5 | B5 | | | | |
| 138,85 | B5 | B5 | | | | |
| 154,83 | B5 | B5 | | | | |

| KXA | | KXA 202 | | KXA 252-253 | | KXA 352-353 | |
|--------------|-------|----------|------------|-------------|------------|-------------|------------|
| Versions (*) | | Standard | On request | Standard | On request | Standard | On request |
| U | C | 1 | / | 1 | / | 1 | / |
| | D/S/P | / | / | / | / | 1 | / |
| | L/M | 1 | / | 1 | / | 1 | / |

(*) N.B. sizes KXA202 - KXA252 - KXA253 are not available in versions D-S-P.

| KXB | | KXB 353 | | KXB 403 | | KXB 503-603 | | KXB 703/903/1003 | |
|----------|-------|----------|------------|----------|------------|-------------|------------|------------------|------------|
| Versions | | Standard | On request | Standard | On request | Standard | On request | Standard | On request |
| U | C | 2 | / | 2 (Ø40) | 1 (Ø45) | 2 | / | 2 | / |
| | D/S/P | 2 | / | 2 | / | 2 | / | 2 | / |
| | L/M | 1 | / | 1 | / | 1 | / | 2 | / |
| F/S | C | 1 | 2 | 1 | 2 | 1 | 2 | / | / |
| | D/S/P | 2 | / | 2 | / | 2 | / | / | / |
| | L/M | 1 | / | 1 | / | 1 | / | / | / |

1 - Ball Bearing

2 - Roller bearings

/ - Not available

2.9.1 Information

The value of the admissible radial load [N] is given in the tables relating to the performance of the gear reducer at issue. It is related to the load applied on the centre line of the shaft and in the most unfavourable conditions of angle of application and direction of rotation. The maximum admissible axial loads are 1/5 of the value of the given radial load when they are applied in combination with the radial load. The tables relating to the output shafts give the maximum admissible value. This value must never be exceeded since it relates to the strength of the case. Particular conditions of radial load higher than the limits of the catalogue may occur. In this case, call our Technical Service and provide details on the application: direction of the load, direction of rotation of the shaft, type of service. In case of double extension shafts with radial load applied on both ends, the max. admissible radial loads must be defined according to the specific running conditions, in this case call our Technical Service. The radial load on the shaft is calculated with the following formula:

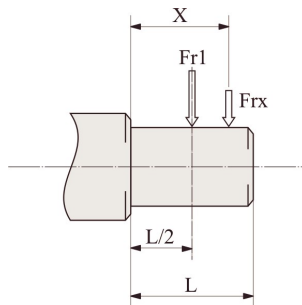
$$Fr_e = (2000 \cdot M \cdot f_z) / D \leq Fr_1 \text{ or } Fr_2$$

- **Fr_e** [N] Resulting radial load
- **M** [Nm] Torque on the shaft
- **D** [mm] Diameter of the transmission member mounted on the shaft
- **Fr₁-Fr₂** [N] Value of the maximum admitted radial load (see relative tables)
- **f_z** = 1,1 gear pinion - 1,4 chain wheel - 1,7 v-pulley - 2,5 flat pulley

2.9.2 Input

When the radial load is not on the centre line of the shaft, it is necessary to adjust the admissible radial load Fr₁ with the following formula: $Fr_x = (Fr_1 \cdot a) / (b + x)$

- **a**, **b** = values given in the tables
- **x** = distance from the point of application of the load to the shaft shoulder



| | KXA | |
|--------------------------------|-----------------|-----|
| | 202-252-253-353 | 352 |
| a | 84 | 89 |
| b | 64 | 69 |
| Fr₁ max (**) | 500 | 830 |

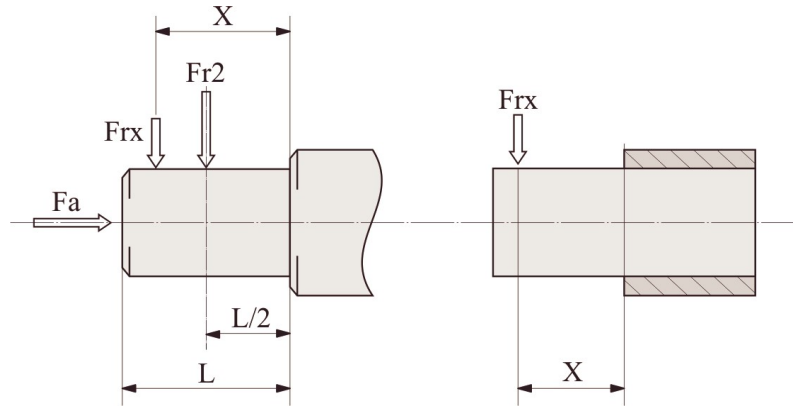
| | KXB | | | | | | |
|--------------------------------|------|------|------|------|------|-------|-------|
| | 353 | 403 | 503 | 603 | 703 | 903 | 1003 |
| a | 105 | 137 | 137 | 175 | 175 | 225 | 221 |
| b | 80 | 108 | 108 | 135 | 135 | 170 | 166 |
| Fr₁ max (**) | 2200 | 2500 | 3200 | 4200 | 7000 | 10000 | 12000 |

(**Fr₁ max) Max admissible value of the reducer in static conditions and/or for limited operations. For continuous overhung loads please check the values on the performances tables calculated according to the casing, the shaft and bearings.

2.9.3 Output

When the radial load is not on the centre line of the shaft, it is necessary to adjust the admissible radial load Fr2 with the following formula: $Fr_x = (Fr_2 \cdot a) / (b + x)$

- **a** , **b** = values given in the tables
- **x** = distance from the point of application of the load to the shaft shoulder



| | KXA | | |
|---------------------------|------|---------|---------|
| | 202 | 252-253 | 352-353 |
| a | 105 | 119 | 145 |
| b | 85 | 94 | 116 |
| D-S-P (Fr2 max **) | - | - | 10000 |
| C (Fr2 max **) | 4000 | 4000 | 5500 |

| | KXB | | | | | | |
|---------------------------|-------|-------|-------|-------|-------|-------|-------|
| | 353 | 403 | 503 | 603 | 703 | 903 | 1003 |
| a | 129 | 190 | 225 | 262 | 306 | 348 | 468 |
| b | 100 | 150 | 175 | 202 | 236 | 278 | 363 |
| D-S-P (Fr2 max **) | 12000 | 18000 | 22000 | 30000 | 40000 | 65000 | 80000 |
| C (Fr2 max **) | 8000 | 12000 | 15000 | 20000 | 40000 | 65000 | 65000 |

(**Fr2 max) Max admissible value of the reducer in static conditions and/or for limited operations. For continuous overhung loads please check the values on the performances tables calculated according to the casing, the shaft and bearings.

2.10.1 Information

In cases of ambient temperatures not envisaged in the table, contact MOTOVARIO TECHNICAL SERVICE. In the case of temperatures under -30°C or over 60°C it is necessary to use oil seals with special properties. For operating ranges with temperatures under 0°C it is necessary to consider the following:

1. The motors need to be suitable for operation at the envisaged ambient temperature.
2. The power of the electric motor needs to be adequate for exceeding the higher starting torques required.
3. In case of cast-iron gear reducers, pay attention to impact loads since cast iron may have problems of fragility at temperatures under -15°C .
4. During the early stages of service, problems of lubrication may arise due to the high level of viscosity taken on by the oil and so it is wise to have a few minutes of rotation under no load.

Oil (NON Atex products) must be changed after approx. 10000 hours/2 years of operation; this time varies based on the type of service and on the environment inside which the gear reducer is installed. Units not featuring any oil plug are life-lubricated, and therefore maintenance-free.

2.10.2 Lubricants

Specifications of lubricants recommended by MOTOVARIO S.A.U.

The units **KXB353 ÷ 603** are supplied with LAND OIL GEAR POWER 220 oil, unless otherwise specified by the client.

The units **KXB703 ÷ 1003** are supplied without lubricant.

| | KXB 353 ÷ 1003 | | KXA 202 ÷ 353 |
|--------------------------------|---------------------------|----------------------------|--------------------------------|
| | Mineral oil | | Mineral oil |
| T _{amb} °C ISO/SAE | (-5) ÷ (+40) ISO VG220 | (-15) ÷ (+25) ISO VG150 | (-5) ÷ (+40) SAE 85W-140 |
| LAND OIL | GEAR POWER 220 | - | - |
| ENI | BLASIA 220 | BLASIA 150 | ROTRA MP (85W-140) |
| SHELL | OMALA S2 G 220 | OMALA S2 G 150 | SPIRAX S2 A 85W-140 |
| KLUBER | Kluberoil GEM 1-220N | Kluberoil GEM 1-150N | Kluberoil GEM 1-460N |
| MOBIL | MOBILGEAR 600 XP220 | MOBILGEAR 600 XP150 | - |
| CASTROL | ALPHA SP 220 | ALPHA SP 150 | - |
| BP | ENERGOL GR-XP220 | ENERGOL GR-XP150 | - |
| PETRONAS | GEAR MEP 220 | GEAR MEP 150 | TUTELA TRANSMISSION W 140/M-DA |

2.10.3 Special lubricants

| | $T_{amb}^{\circ C}$ | Polyglycol synthetic oil |
|--------|---------------------|---|
| ENI | (-30) ÷ (+30) | Blasia S 150 (ISO VG150) |
| | (-20) ÷ (+40) | Blasia S 220 (ISO VG220) |
| MOBIL | (-45) ÷ (+0) | SHC 624 (ISO VG32) |
| | (-40) ÷ (+5) | SHC 626 (ISO VG68) |
| KLUBER | (-40) ÷ (+5) | Klubersynth GH 6-32 (ISO VG32) |
| | (-35) ÷ 10) | Klubersynth GH 6-80 (ISO VG80) |
| | (-30) ÷ (+40) | Klubersynth GH 6-150 (ISO VG150) |
| | (-25) ÷ (+40) | Klubersynth GH 6-220 (ISO VG220) |
| | (-15) ÷ (+50) | Klubersynth GH 6-460 (ISO VG460) |
| | (-10) ÷ (+70) | Klubersynth GH 6-680 (ISO VG680) |
| | $T_{amb}^{\circ C}$ | Polyglycol synthetic oil for food grade |
| KLUBER | (-30) ÷ (+15) | Klubersynth UH1-6 100 (ISO VG100) |
| | (-25) ÷ (+40) | Klubersynth UH1-6 220 (ISO VG220) |
| | (-15) ÷ (+40) | Klubersynth UH1-6 320 (ISO VG320) |
| | (-15) ÷ (+50) | Klubersynth UH1-6 460 (ISO VG460) |
| | (-10) ÷ (+50) | Klubersynth UH1-6 680 (ISO VG680) |

If 'special' lubricant is required please contact MOTOVARIO TECHNICAL SERVICE.

2.10.4 Quantity

- For the reduction units KXB series it is always necessary to specify the mounting position.
- The reduction units KXA.. series with 2, 3 stages and KXB353, are supplied complete with lubricant, have no oil plugs and need no maintenance.
- The gear reducer KXB series sizes 403, 503, 603 are supplied complete with lubricant and are fitted with oil plugs to suit any mounting position included in the catalogue.
- The gear reducer KXB series sizes 703, 903, 1003 have no lubricant and are fitted with oil plugs to suit any mounting position included in the catalogue. The oil filling can be done on request, in this case it is recommended, after installation, to replace the closed plug used for transportation with the supplied breather plug. When the reduction unit is supplied without lubricant, it is provided with a label to be filled.

It is recommended, after installation, to replace the closed plug used for transportation with the supplied breather plug. Oil quantity in the table (litres -) are indicative; for a proper use you will have to refer to the level plug or the dipstick. Any level difference could depend on construction tolerances, but also by the placement of the unit or by the mounting surface at the customer's premises. It is appropriate to check and, if necessary, restores the level when the units are installed.

| | KXA | | | | |
|-------|------|------|------|-----|------|
| | 202 | 252 | 253 | 352 | 353 |
| B3 | 0,33 | 0,42 | 0,63 | 1 | 1,21 |
| B8 | | | | | |
| B6/B7 | | | | | |
| V5 | | | | | |
| V6 | | | | | |

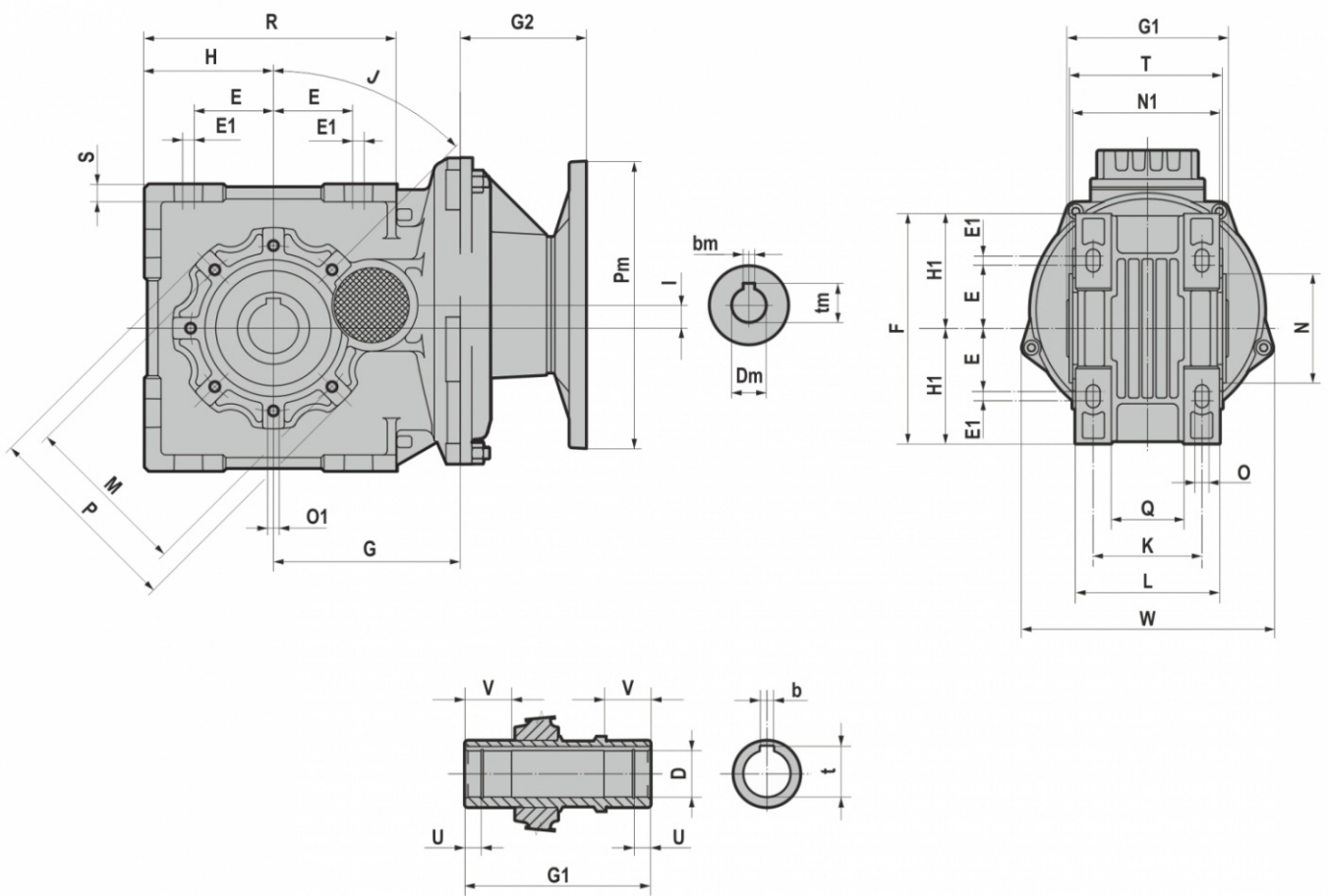
| | KXB | | | | | | |
|----|-----|-----|-----|-----|------|------|------|
| | 353 | 403 | 503 | 603 | 703 | 903 | 1003 |
| B3 | 1,2 | 2,5 | 3,7 | 5,7 | 11,1 | 19 | 33 |
| B8 | 1,5 | 2,8 | 4,2 | 7,9 | 13 | 17,5 | 42,8 |
| B6 | 1,5 | 3,5 | 6 | 8,5 | 14,5 | 26 | 43 |
| B7 | 1,5 | 2,8 | 3,9 | 7,3 | 11,8 | 19 | 30 |
| V5 | 2,1 | 3,7 | 7 | 9,9 | 18,5 | 32,5 | 54,5 |
| V6 | 1,3 | 2,6 | 4,5 | 6,7 | 10,8 | 16,5 | 37,3 |

The following values of J_1 moment of inertia are only estimated, referred to the maximum calculated, and to the gearbox input side.

| KXA-2/3 | J_1 [Kg*m ²] |
|---------|----------------------------|
| 202/203 | 0,0001 |
| 252/253 | 0,0001 |
| 352/353 | 0,0003 |

| KXB | J_1 [Kg*m ²] |
|------|----------------------------|
| 353 | 0,0001 |
| 403 | 0,0003 |
| 503 | 0,0007 |
| 603 | 0,0010 |
| 703 | 0,0023 |
| 903 | 0,0035 |
| 1003 | 0,0093 |

3.1.1 KXAC..2



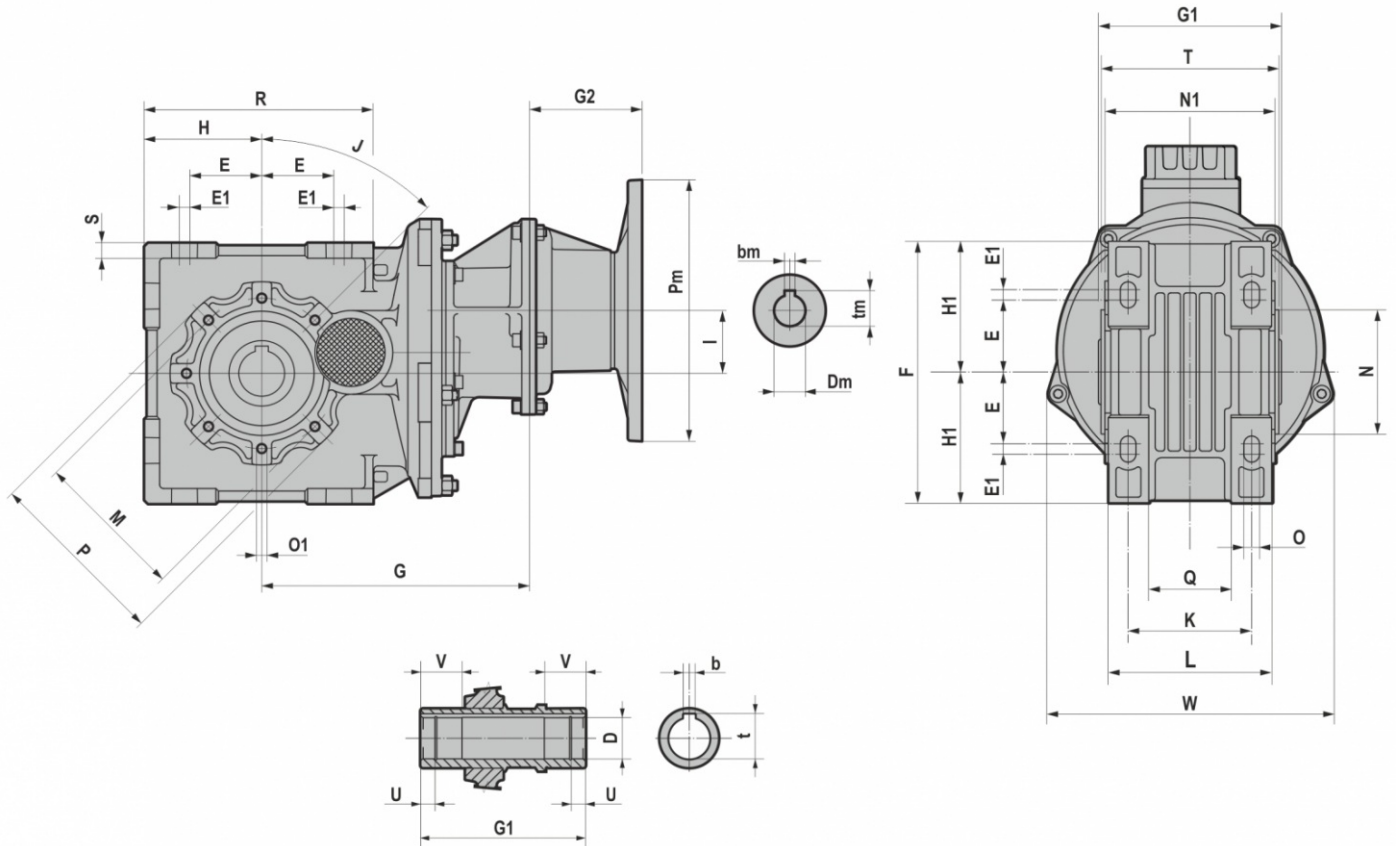
| KXAC... | DH7 | b | t | U | V | E | E1 | F | G | G1 | H | H1 | I | J | K | L | M | N | N1 | O | O1 | P | Q | R | S | T | W |
|---------|-----|----|------|----|----|----|----|-----|-------|-----|----|-----|-----|----|------|-----|-----|----|-----|----|-----------|-----|----|-------|----|-----|-----|
| 202 | 20 | 6 | 22,8 | / | 30 | 45 | / | 130 | 95 | 100 | 65 | 65 | 8 | 45 | 73,5 | 90 | 85 | 70 | 92 | 9 | M8x12 n.4 | 100 | 45 | 127,5 | 8 | 97 | 152 |
| | 25 | 8 | 28,3 | / | 30 | 55 | / | 160 | 98 | 112 | 80 | 80 | 4,2 | 45 | 80 | 100 | 95 | 80 | 102 | 9 | M8x14 n.6 | 110 | 51 | 153 | 10 | 108 | 152 |
| 352 | 35 | 10 | 38,3 | 12 | 35 | 55 | 8 | 200 | 129,5 | 140 | 90 | 100 | 16 | 45 | 94,5 | 125 | 115 | 95 | 130 | 12 | M8x14 n.7 | 136 | 63 | 175 | 12 | 136 | 218 |
| | 30 | 8 | 33,3 | | | | | | | | | | | | | | | | | | | | | | | | |

| IEC | Pm x Dm | Pm x Dm | G2 KXAC... | |
|---------|---------|---------|---------------|------|
| | | | 202-252 | 352 |
| 063 | 140x11 | 090x11 | 55 | / |
| 071 | 160x14 | 105x14 | 55 | / |
| 080 | 200x19 | 120x19 | 86 | 87,5 |
| 090 | 200x24 | 140x24 | 86 | 87,5 |
| 100-112 | 250x28 | 160x28 | / | 87,5 |

| B5 | Pm | Dm | bm | tm |
|-----|-----|----|----|------|
| 063 | 140 | 11 | 4 | 12,8 |
| 071 | 160 | 14 | 5 | 16,3 |
| 080 | 200 | 19 | 6 | 21,8 |
| 090 | 200 | 24 | 8 | 27,3 |
| 100 | 250 | 28 | 8 | 31,3 |
| 112 | 250 | 28 | 8 | 31,3 |

| B14 | Pm | Dm | bm | tm |
|-----|-----|----|----|------|
| 071 | 105 | 14 | 5 | 16,3 |
| 080 | 120 | 19 | 6 | 21,8 |
| 090 | 140 | 24 | 8 | 27,3 |
| 100 | 160 | 28 | 8 | 31,3 |
| 112 | 160 | 28 | 8 | 31,3 |

3.1.2 KXAC..3



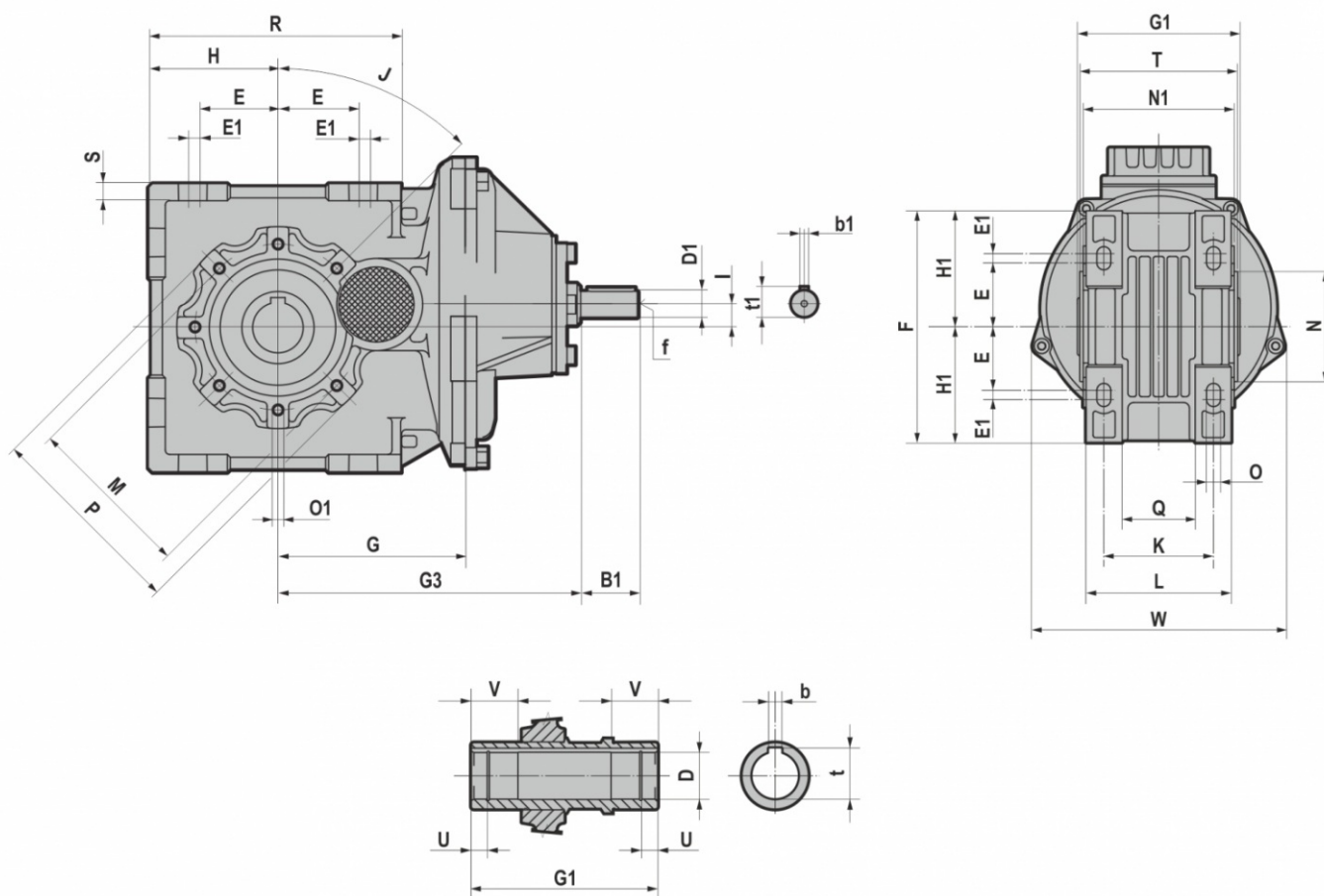
| KXAC... | DH7 | b | t | U | V | E | E1 | F | G | G1 | H | H1 | I | J | K | L | M | N | N1 | O | O1 | P | Q | R | S | T | W |
|---------|-----|----|------|----|----|----|----|-----|-------|-----|----|-----|------|----|------|-----|-----|----|-----|----|-----------|-----|----|-----|----|-----|-----|
| 253 | 25 | 8 | 28,3 | / | 30 | 55 | / | 160 | 162 | 112 | 80 | 80 | 36,2 | 45 | 80 | 100 | 95 | 80 | 102 | 9 | M8x14 n.6 | 110 | 51 | 153 | 10 | 108 | 152 |
| | 28 | 8 | 31,1 | | | | | | | | | | | | | | | | | | | | | | | | |
| 353 | 35 | 10 | 38,3 | 12 | 35 | 55 | 8 | 200 | 204,5 | 140 | 90 | 100 | 48 | 45 | 94,5 | 125 | 115 | 95 | 130 | 12 | M8x14 n.7 | 136 | 63 | 175 | 12 | 136 | 218 |
| | 30 | 8 | 33,3 | | | | | | | | | | | | | | | | | | | | | | | | |

| IEC | Pm x Dm | Pm x Dm | G2 KXAC... |
|-----|---------|---------|---------------|
| | | | 253-353 |
| 063 | 140X11 | 090x11 | 55 |
| 071 | 160X14 | 105x14 | 55 |
| 080 | 200X19 | 120x19 | 86 |
| 090 | 200X24 | 140x24 | 86 |

| B5 | Pm | Dm | bm | tm |
|-----|-----|----|----|------|
| 063 | 140 | 11 | 4 | 12,8 |
| 071 | 160 | 14 | 5 | 16,3 |
| 080 | 200 | 19 | 6 | 21,8 |
| 090 | 200 | 24 | 8 | 27,3 |

| B14 | Pm | Dm | bm | tm |
|-----|-----|----|----|------|
| 071 | 105 | 14 | 5 | 16,3 |
| 080 | 120 | 19 | 6 | 21,8 |
| 090 | 140 | 24 | 8 | 27,3 |

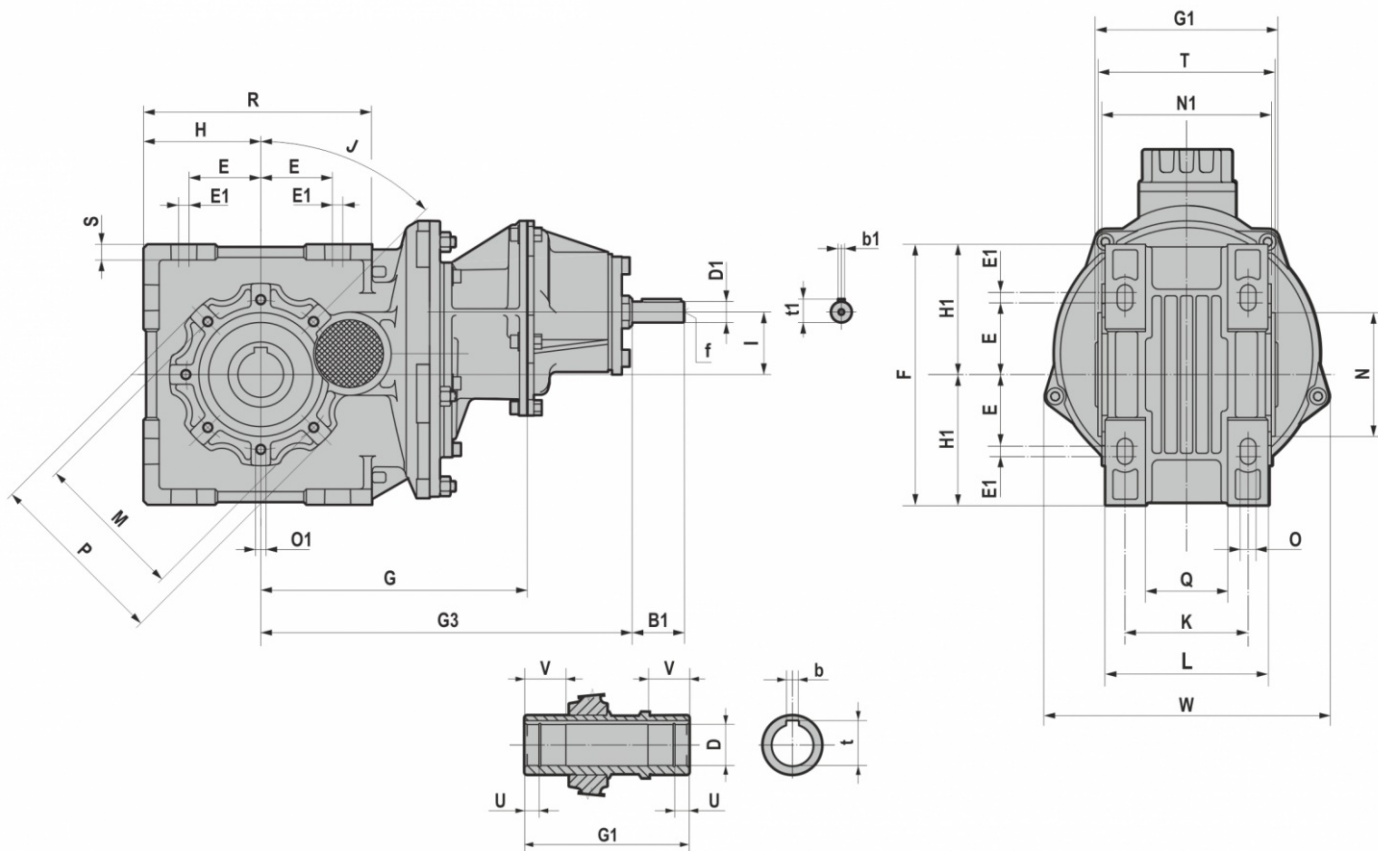
3.1.3 KXA..2



| KXA... | D | H7 | b | t | U | V | E | E1 | F | G | G1 | H | H1 | I | J | K | L | M | N | N1 | O | O1 | P | Q | R | S | T | W |
|--------|----|----|------|----|----|----|---|-----|-------|-----|----|-----|-----|----|------|-----|-----|----|-----|----|-----------|-----|----|-------|----|-----|-----|---|
| 202 | 20 | 6 | 22,8 | / | 30 | 45 | / | 130 | 95 | 100 | 65 | 65 | 8 | 45 | 73,5 | 90 | 85 | 70 | 92 | 9 | M8x12 n.4 | 100 | 45 | 127,5 | 8 | 97 | 152 | |
| 252 | 25 | 8 | 28,3 | / | 30 | 55 | / | 160 | 98 | 112 | 80 | 80 | 4,2 | 45 | 80 | 100 | 95 | 80 | 102 | 9 | M8x14 n.6 | 110 | 51 | 153 | 10 | 108 | 152 | |
| | 28 | 8 | 31,1 | / | 30 | 55 | / | 160 | 98 | 112 | 80 | 80 | 4,2 | 45 | 80 | 100 | 95 | 80 | 102 | 9 | M8x14 n.6 | 110 | 51 | 153 | 10 | 108 | 152 | |
| 352 | 35 | 10 | 38,3 | 12 | 35 | 55 | 8 | 200 | 129,5 | 140 | 90 | 100 | 16 | 45 | 94,5 | 125 | 115 | 95 | 130 | 12 | M8x14 n.7 | 136 | 63 | 175 | 12 | 136 | 218 | |
| | 30 | 8 | 33,3 | 12 | 35 | 55 | 8 | 200 | 129,5 | 140 | 90 | 100 | 16 | 45 | 94,5 | 125 | 115 | 95 | 130 | 12 | M8x14 n.7 | 136 | 63 | 175 | 12 | 136 | 218 | |

| KXA... | G3 | D1 | B1 | b1 | t1 | f |
|--------|-------|----|----|----|------|----|
| 202 | 175,5 | 16 | 40 | 5 | 18 | M6 |
| 252 | 179 | 16 | 40 | 5 | 18 | M6 |
| 352 | 210 | 19 | 40 | 6 | 21,5 | M6 |

3.1.4 KXA..3

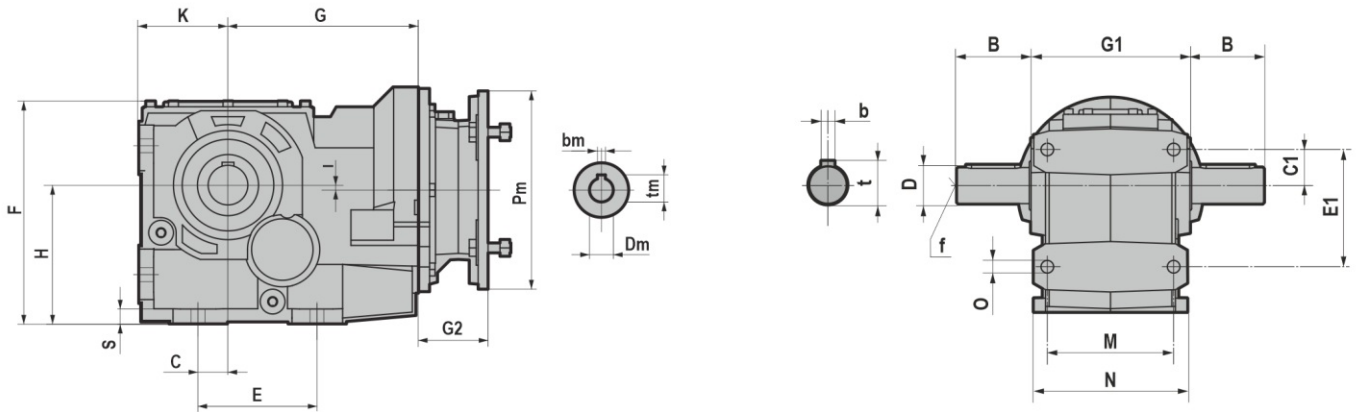


| KXA... | D | H7 | b | t | U | V | E | E1 | F | G | G1 | H | H1 | I | J | K | L | M | N | N1 | O | O1 | P | Q | R | S | T | W |
|--------|----|----|------|----|----|----|---|-----|-------|-----|----|-----|------|----|------|-----|-----|----|-----|----|-----------|-----|----|-----|----|-----|-----|---|
| 253 | 25 | 8 | 28,3 | / | 30 | 55 | / | 160 | 162 | 112 | 80 | 80 | 36,2 | 45 | 80 | 100 | 95 | 80 | 102 | 9 | M8x14 n.6 | 110 | 51 | 153 | 10 | 108 | 152 | |
| | 28 | 8 | 31,1 | | | | | | | | | | | | | | | | | | | | | | | | | |
| 353 | 35 | 10 | 38,3 | 12 | 35 | 55 | 8 | 200 | 204,5 | 140 | 90 | 100 | 48 | 45 | 94,5 | 125 | 115 | 95 | 130 | 12 | M8x14 n.7 | 136 | 63 | 175 | 12 | 136 | 218 | |
| | 30 | 8 | 33,3 | | | | | | | | | | | | | | | | | | | | | | | | | |

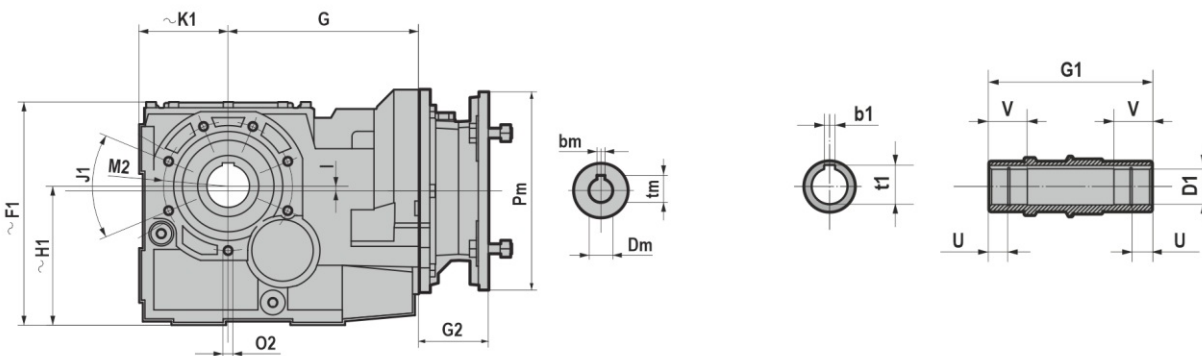
| KXA... | G3 | D1 | B1 | b1 | t1 | f |
|--------|-------|----|----|----|----|----|
| 253 | 242,5 | 16 | 40 | 5 | 18 | M6 |
| 353 | 285 | 16 | 40 | 5 | 18 | M6 |

3.1.5 KXBC

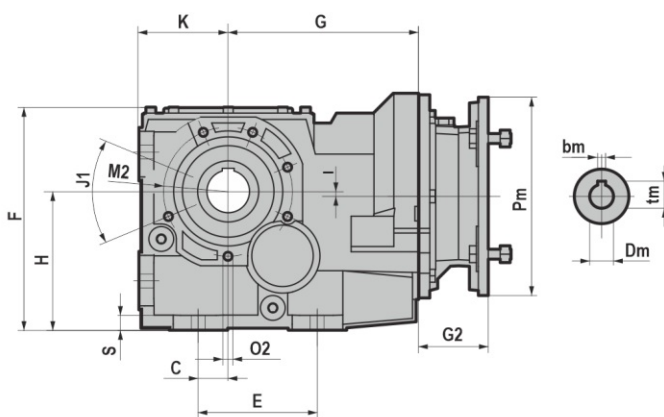
KXBC...



KXBC...F



KXBC...U



3.1 REDUCERS/GEARED MOTORS

| KXBC... | D1 H7 | b1 | t1 | U | V | B | D | b | t | f | C | C1 | E | E1 | F | F1 |
|---------|-------|----|-------|-------|-----|-----|--------|----|------|-----|-----|-----|-----|-----|-----|-------|
| 353 | 35 | 10 | 38,3 | 12 | 35 | 58 | 35 k6 | 10 | 38 | M12 | 30 | 39 | 130 | 126 | 215 | 219,5 |
| | 40 | 12 | 43,3 | | | | | | | | | | | | | |
| 403 | 40 | 12 | 43,3 | 22,25 | 42 | 80 | 40 k6 | 12 | 43 | M16 | 30 | 40 | 120 | 130 | 225 | 225 |
| | 45 | 14 | 47,6 | | | | | | | | | | | | | |
| 503 | 50 | 14 | 53,8 | 22,25 | 50 | 100 | 50 k6 | 14 | 53,5 | M16 | 40 | 50 | 150 | 160 | 283 | 283 |
| | 45 | 14 | 48,8 | | | | | | | | | | | | | |
| 603 | 60 | 18 | 64,4 | 28 | 70 | 120 | 60 m6 | 18 | 64 | M20 | 55 | 78 | 180 | 220 | 341 | 350 |
| | 55 | 16 | 59,3 | | | | | | | | | | | | | |
| 703 | 70 | 20 | 74,9 | 27,5 | 75 | 140 | 70 m6 | 20 | 74,5 | M20 | 75 | 90 | 240 | 280 | 423 | / |
| 903 | 90 | 25 | 95,4 | 34 | 90 | 170 | 90 m6 | 25 | 95 | M20 | 95 | 110 | 280 | 330 | 498 | / |
| | 80 | 22 | 85,4 | | | | | | | | | | | | | |
| 1003 | 100 | 28 | 106,4 | 40 | 100 | 210 | 110 m6 | 28 | 116 | M20 | 115 | 155 | 350 | 420 | 615 | / |

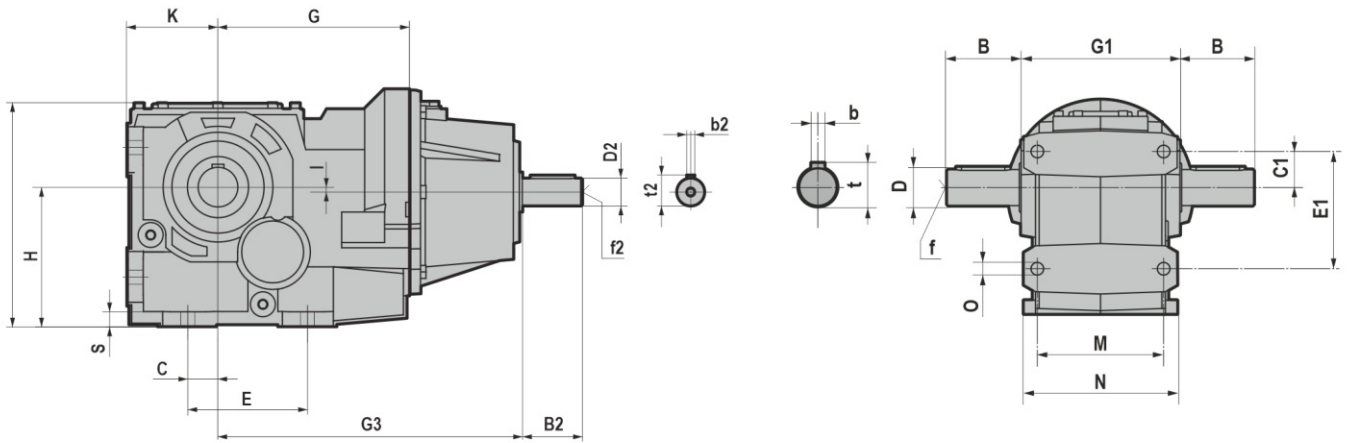
| KXBC... | G | G1 | H | H1 | I | K | K1 | M | N | O | S | J1 | M2 | O2 |
|---------|-------|-----|-----|-----|------|-------|------|-----|-----|----|----|----|-----|----------------|
| 353 | 174 | 140 | 132 | 137 | 33 | 88 | 92,5 | 104 | 126 | 14 | 12 | 45 | 130 | M10x20 (n.6) |
| 403 | 192 | 180 | 140 | 140 | 5 | 90 | 90 | 140 | 170 | 14 | 15 | 45 | 130 | M10x20 (n.6/7) |
| 503 | 213,5 | 210 | 180 | 180 | 25 | 112 | 112 | 165 | 205 | 18 | 18 | 45 | 165 | M12x22 (n.6/7) |
| 603 | 246 | 240 | 212 | 221 | 33,5 | 132 | 141 | 180 | 230 | 22 | 22 | 45 | 185 | M14x28 (n.7) |
| 703 | 279 | 300 | 265 | / | 34 | 160 | / | 240 | 290 | 22 | 22 | 45 | 200 | M14x30 (n.7) |
| 903 | 353 | 350 | 315 | / | 35 | 200 | / | 270 | 330 | 26 | 26 | 45 | 245 | M16x32 (n.7) |
| 1003 | 426,5 | 445 | 375 | / | 47 | 230,5 | / | 330 | 400 | 38 | 45 | 45 | 298 | M18x40 (n.6) |

| IEC | Pm x Dm | G2 KXBC... | | | | |
|---------|---------|---------------|---------|---------|-------|-------|
| | | 353 | 403-503 | 603-703 | 903 | 1003 |
| 063 | 140x11 | 57 | / | / | / | / |
| 071 | 160x14 | 69,0 | / | / | / | / |
| 080 | 200x19 | 90,0 | 70,0 | 60,5 | / | / |
| 090 | 200x24 | 90,0 | 70,0 | 60,5 | / | / |
| 100-112 | 250x28 | 105,0 | 85,0 | 75,5 | / | / |
| 132 | 300x38 | / | 110,0 | 100,5 | 76,0 | / |
| 160 | 350x42 | / | 157,5 | 148,0 | 123,5 | 109,0 |
| 180 | 350x48 | / | 157,5 | 148,0 | 123,5 | 109,0 |
| 200 | 400x55 | / | / | 185,0 | 160,5 | 146,0 |
| 225 | 450x60 | / | / | / | 160,5 | 146,0 |
| 250 | 550*65 | / | / | / | / | 175,0 |
| 280 | 550*75 | / | / | / | / | 175,0 |

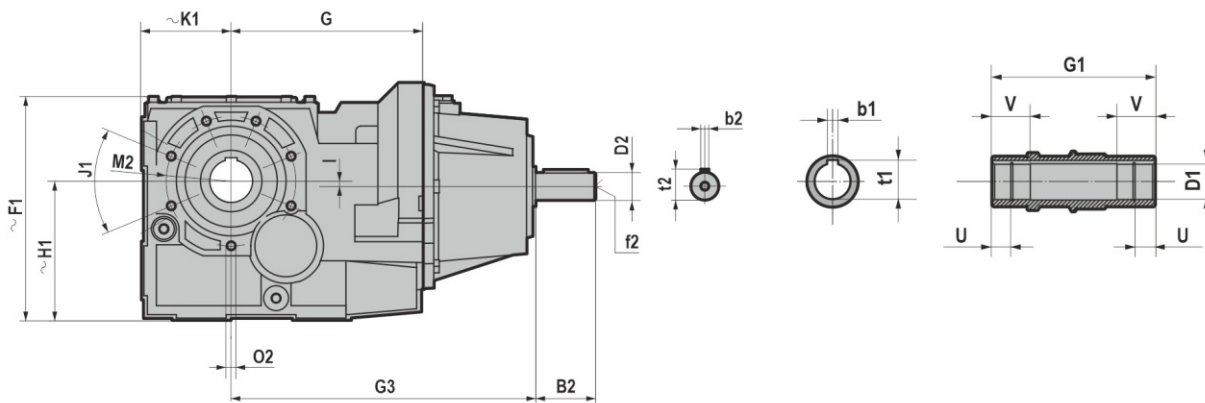
| B5 | Pm | Dm | bm | tm |
|-----|-----|----|----|------|
| 063 | 140 | 11 | 4 | 12,8 |
| 071 | 160 | 14 | 5 | 16,3 |
| 080 | 200 | 19 | 6 | 21,8 |
| 090 | 200 | 24 | 8 | 27,3 |
| 100 | 250 | 28 | 8 | 31,3 |
| 112 | 250 | 28 | 8 | 31,3 |
| 132 | 300 | 38 | 10 | 41,3 |
| 160 | 350 | 42 | 12 | 45,3 |
| 180 | 350 | 48 | 14 | 51,8 |
| 200 | 400 | 55 | 16 | 59,3 |
| 225 | 450 | 60 | 18 | 64,4 |
| 250 | 550 | 65 | 18 | 69,4 |
| 280 | 550 | 75 | 20 | 79,9 |

3.1.6 KXB

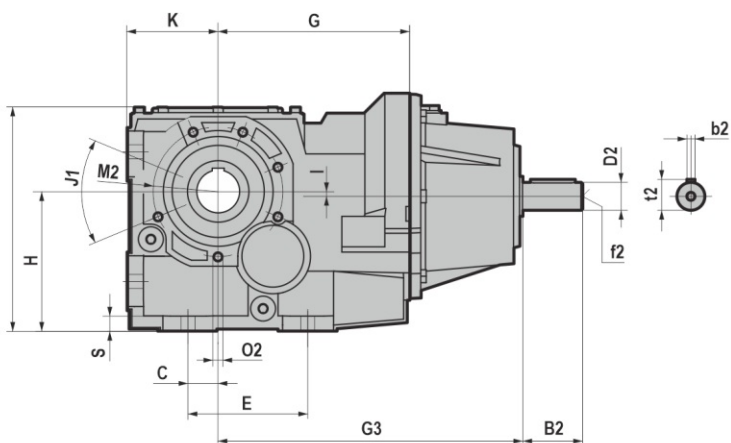
KXB...



KXB...F



KXB...U

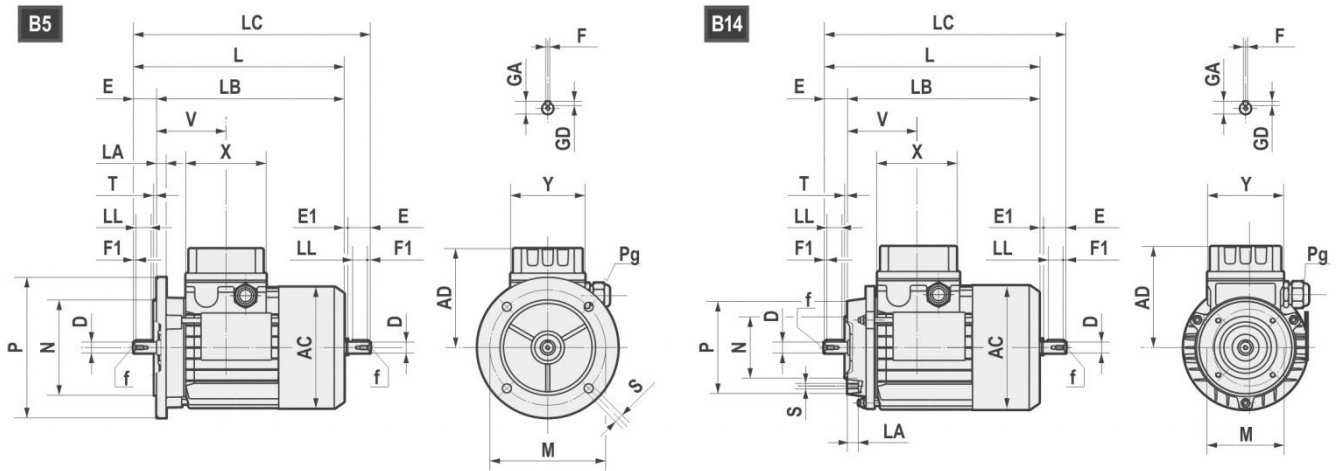


| KXB... | D1 H7 | b1 | t1 | U | V | B | D | b | t | f | C | C1 | E | E1 | F | F1 |
|--------|-------|----|-------|-------|-----|-----|--------|----|------|-----|-----|-----|-----|-----|-----|-------|
| 353 | 35 | 10 | 38,3 | 12 | 35 | 58 | 35 k6 | 10 | 38 | M12 | 30 | 39 | 130 | 126 | 215 | 219,5 |
| | 40 | 12 | 43,3 | | | | | | | | | | | | | |
| 403 | 40 | 12 | 43,3 | 22,25 | 42 | 80 | 40 k6 | 12 | 43 | M16 | 30 | 40 | 120 | 130 | 225 | 225 |
| | 45 | 14 | 47,6 | | | | | | | | | | | | | |
| 503 | 50 | 14 | 53,8 | 22,25 | 50 | 100 | 50 k6 | 14 | 53,5 | M16 | 40 | 50 | 150 | 160 | 283 | 283 |
| | 45 | 14 | 48,8 | 25 | | | | | | | | | | | | |
| 603 | 60 | 18 | 64,4 | 28 | 70 | 120 | 60 m6 | 18 | 64 | M20 | 55 | 78 | 180 | 220 | 341 | 350 |
| | 55 | 16 | 59,3 | | | | | | | | | | | | | |
| 703 | 70 | 20 | 74,9 | 27,5 | 75 | 140 | 70 m6 | 20 | 74,5 | M20 | 75 | 90 | 240 | 280 | 423 | / |
| 903 | 90 | 25 | 95,4 | 34 | 90 | 170 | 90 m6 | 25 | 95 | M20 | 95 | 110 | 280 | 330 | 498 | / |
| | 80 | 22 | 85,4 | | | | | | | | | | | | | |
| 1003 | 100 | 28 | 106,4 | 40 | 100 | 210 | 110 m6 | 28 | 116 | M20 | 115 | 155 | 350 | 420 | 615 | / |

| KXB... | G | G1 | H | H1 | I | K | K1 | M | N | O | S | J1 | M2 | O2 |
|--------|-------|-----|-----|-----|------|-------|------|-----|-----|----|----|----|-----|----------------|
| 353 | 174 | 140 | 132 | 137 | 33 | 88 | 92,5 | 104 | 126 | 14 | 12 | 45 | 130 | M10x20 (n.6) |
| 403 | 192 | 180 | 140 | 140 | 5 | 90 | 90 | 140 | 170 | 14 | 15 | 45 | 130 | M10x20 (n.6/7) |
| 503 | 213,5 | 210 | 180 | 180 | 25 | 112 | 112 | 165 | 205 | 18 | 18 | 45 | 165 | M12x22 (n.6/7) |
| 603 | 246 | 240 | 212 | 221 | 33,5 | 132 | 141 | 180 | 230 | 22 | 22 | 45 | 185 | M14x28 (n.7) |
| 703 | 279 | 300 | 265 | / | 34 | 160 | / | 240 | 290 | 22 | 22 | 45 | 200 | M14x30 (n.7) |
| 903 | 353 | 350 | 315 | / | 35 | 200 | / | 270 | 330 | 26 | 26 | 45 | 245 | M16x32 (n.7) |
| 1003 | 426,5 | 445 | 375 | / | 47 | 230,5 | / | 330 | 400 | 38 | 45 | 45 | 298 | M18x40 (n.6) |

| KXB... | G3 | B2 | D2 | b2 | t2 | f2 |
|--------|-------|-----|-------|----|------|-----|
| 353 | 264 | 50 | 24 j6 | 8 | 27 | M8 |
| 403 | 305 | 60 | 28 j6 | 8 | 31 | M10 |
| 503 | 326,5 | 60 | 28 j6 | 8 | 31 | M10 |
| 603 | 372,5 | 80 | 38 k6 | 10 | 41 | M12 |
| 703 | 405,5 | 80 | 38 k6 | 10 | 41 | M12 |
| 903 | 493 | 110 | 42 k6 | 12 | 45 | M16 |
| 1003 | 561,5 | 110 | 48 k6 | 14 | 51,5 | M16 |

3.2.1 Electric motors



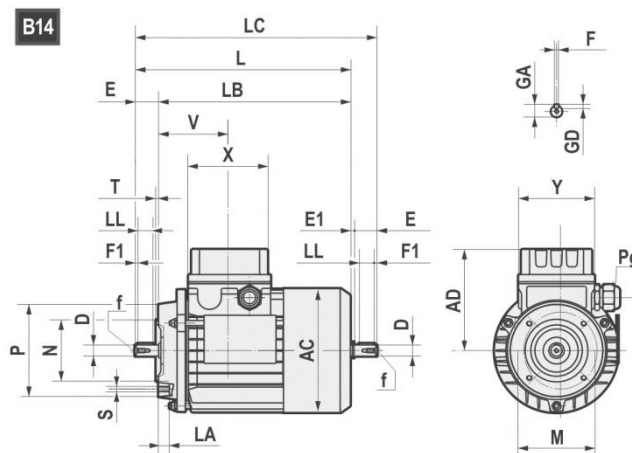
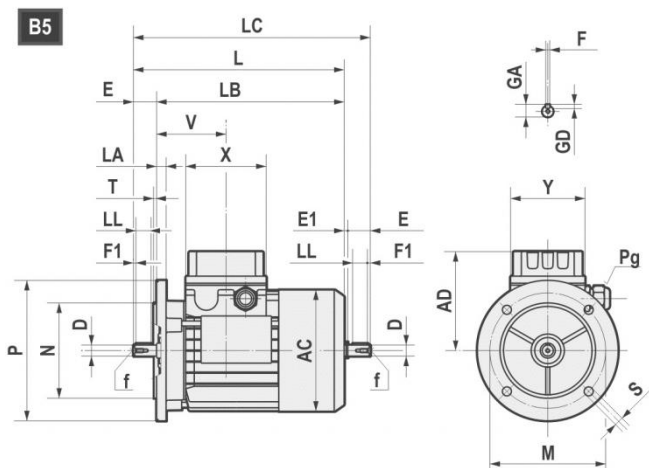
| | AC | AD | L | LB | LC | X | Y | V | D | E | E1 | f | F1 | GA | F | GD |
|-------------|-----|-----|---------------|---------------|---------------|-----|-----|-------|-------|-----|-----|---------|-----|------|----|----|
| 63 | 121 | 104 | 211 | 188 | 235,5 | 80 | 74 | 69 | 11 j6 | 23 | 1,5 | M4x10 | 2,5 | 12,5 | 4 | 4 |
| 71 | 139 | 112 | 238,5 | 208,5 | 271 | 80 | 74 | 74,5 | 14 j6 | 30 | 2,5 | M5x12,5 | 3 | 16 | 5 | 5 |
| 80 | 158 | 122 | 272,5 *296 | 232,5 *256 | 314 *337 | 80 | 74 | 78 | 19 j6 | 40 | 1,5 | M6x16 | 5 | 21,5 | 6 | 6 |
| 90S | 173 | 146 | 298 *331 | 248 *281 | 349,5 *381 | 98 | 98 | 89,5 | 24 j6 | 50 | 1,5 | M8x19 | 5 | 27 | 8 | 7 |
| 90L | 173 | 146 | 323 *356 | 273 *306 | 374,5 *408 | 98 | 98 | 89,5 | 24 j6 | 50 | 1,5 | M8x19 | 5 | 27 | 8 | 7 |
| 100 | 191 | 155 | 368 | 308 | 431,5 | 98 | 98 | 97,5 | 28 j6 | 60 | 3,5 | M10x22 | 7,5 | 31 | 8 | 7 |
| 112 | 211 | 170 | 382,5 *408 | 322,5 *348 | 447 *472 | 98 | 98 | 100 | 28 j6 | 60 | 3,5 | M10x22 | 7,5 | 31 | 8 | 7 |
| 132S | 249 | 195 | 452 | 372 | 536,5 | 118 | 118 | 115,5 | 38 k6 | 80 | 4 | M12x28 | 10 | 41 | 10 | 8 |
| 132L | 249 | 195 | 490 | 410 | 574,5 | 118 | 118 | 115,5 | 38 k6 | 80 | 4 | M12x28 | 10 | 41 | 10 | 8 |
| 160S | 249 | 195 | 520 | 410 | / | 118 | 118 | 115,5 | 42k6 | 100 | / | M16x36 | 10 | 45 | 12 | 8 |

*TP80B4, TP90S4, TP90L4, TP90S6, TP112M4, TP112M6

| B5 | M | N | P | LA | S | T |
|------------|-----|-----|-----|------|------|-----|
| 63 | 115 | 95 | 140 | 10 | 9 | 3 |
| 71 | 130 | 110 | 160 | 10 | 9,5 | 3,5 |
| 80 | 165 | 130 | 200 | 12 | 11 | 3,5 |
| 90 | 165 | 130 | 200 | 12 | 11 | 3,5 |
| 100 | 215 | 180 | 250 | 15 | 14 | 4 |
| 112 | 215 | 180 | 250 | 14,5 | 14 | 4 |
| 132 | 265 | 230 | 300 | 20 | 14 | 3,5 |
| 160 | 300 | 250 | 350 | 13 | 18,5 | 3,5 |

| B14 | M | N | P | LA | S | T |
|------------|-----|-----|-----|------|-----|-----|
| 63 | 75 | 60 | 90 | 10 | M5 | 2,5 |
| 71 | 85 | 70 | 105 | 10,5 | M6 | 2,5 |
| 80 | 100 | 80 | 120 | 10,5 | M6 | 3 |
| 90 | 115 | 95 | 140 | 11,5 | M8 | 3 |
| 100 | 130 | 110 | 160 | 15 | M8 | 3,5 |
| 112 | 130 | 110 | 160 | 11,5 | M8 | 3,5 |
| 132 | 165 | 130 | 200 | 20,5 | M10 | 3,5 |
| 160 | 215 | 180 | 250 | - | M12 | 4 |

3.2 ELECTRIC MOTORS



| | | AC | AD | L | LB | X | D | E | f | GA | F | GD | LL | Pg | |
|-------------|-------|-----|-----|------|-----|-----|----|-----|-----|------|----|----|-----|-----------|-----------|
| 160M | 2-4-6 | 314 | 251 | 600 | 490 | 158 | 42 | 110 | M16 | 45 | 12 | 8 | 90 | 2-M40x1,5 | 1-M16x1,5 |
| 160L | 2-4-6 | 314 | 251 | 645 | 535 | 158 | 42 | 110 | M16 | 45 | 12 | 8 | 90 | 2-M40x1,5 | 1-M16x1,5 |
| 180M | 2-4 | 355 | 267 | 680 | 570 | 158 | 48 | 110 | M16 | 51,5 | 14 | 9 | 100 | 2-M40x1,5 | 1-M16x1,5 |
| 180L | 4-6 | 355 | 267 | 720 | 610 | 158 | 48 | 110 | M16 | 51,5 | 14 | 9 | 100 | 2-M40x1,5 | 1-M16x1,5 |
| 200L | 2-4-6 | 397 | 300 | 785 | 675 | 187 | 55 | 110 | M20 | 59 | 16 | 10 | 100 | 2-M50x1,5 | 1-M16x1,5 |
| 225S | 4 | 446 | 325 | 820 | 680 | 187 | 60 | 140 | M20 | 64 | 18 | 11 | 125 | 2-M50x1,5 | 1-M16x1,5 |
| 225M | 2 | 446 | 325 | 815 | 705 | 187 | 55 | 110 | M20 | 59 | 16 | 10 | 100 | 2-M50x1,5 | 1-M16x1,5 |
| 225M | 4-6 | 446 | 325 | 845 | 705 | 187 | 60 | 140 | M20 | 64 | 18 | 11 | 125 | 2-M50x1,5 | 1-M16x1,5 |
| 250M | 2-4-6 | 485 | 360 | 910 | 770 | 238 | 60 | 140 | M20 | 64 | 18 | 11 | 125 | 2-M63x1,5 | 1-M16x1,5 |
| 250M | 2-4-6 | 485 | 360 | 910 | 770 | 238 | 65 | 140 | M20 | 69 | 18 | 11 | 125 | 2-M63x1,5 | 1-M16x1,5 |
| 280S | 2-4-6 | 547 | 390 | 970 | 830 | 238 | 65 | 140 | M20 | 69 | 18 | 11 | 125 | 2-M63x1,5 | 1-M16x1,5 |
| 280S | 2-4-6 | 547 | 390 | 970 | 830 | 238 | 75 | 140 | M20 | 79,5 | 20 | 12 | 125 | 2-M63x1,5 | 1-M16x1,5 |
| 280M | 2-4-6 | 547 | 390 | 1025 | 885 | 238 | 65 | 140 | M20 | 69 | 18 | 11 | 125 | 2-M63x1,5 | 1-M16x1,5 |
| 280M | 2-4-6 | 547 | 390 | 1025 | 885 | 238 | 75 | 140 | M20 | 79,5 | 20 | 12 | 125 | 2-M63x1,5 | 1-M16x1,5 |

| B5 | M | N | P | LA | S | T |
|------------|-----|-----|-----|----|----|---|
| 160 | 300 | 250 | 350 | 13 | 19 | 5 |
| 180 | 300 | 250 | 350 | 15 | 19 | 5 |
| 200 | 350 | 300 | 400 | 17 | 19 | 5 |
| 225 | 400 | 350 | 450 | 20 | 19 | 5 |
| 250 | 500 | 450 | 550 | 22 | 19 | 5 |
| 280 | 500 | 450 | 550 | 22 | 19 | 5 |

3.2.2 Standard high efficiency (TS), high (TH) and premium (TP) motors

Motovario, three-phase, single polarity motors are available in three different versions (IE1-IE2-IE3) in compliance with standard 60034-30-1. The efficiency value is calculated according to the method set forth in standard IEC 60034-2-1.

1. IE1: TS series (standard efficiency) for nominal power less than 0.12 kW,;
2. IE2: TH series (high efficiency) for nominal power greater than or equal to 0.12 kW and less than 0.75 kW;
3. IE3: TP series (premium efficiency) (*) 4 poles for nominal power greater than or equal to 0.12 kW, 2 and 6 poles for nominal power greater than or equal to 0.75 kW.

Table of Motovario S.A.U. commercial availability

| NOMINAL POWER [kW] | EFFICIENCY LEVEL | | |
|---------------------------------------|------------------|--------|-------------|
| | IE1 | IE2 | IE3 |
| P_n < 0,12 | TS-TBS | - | - |
| 0,12 ≤ P_n < 0,75 | - | TH-TBH | TP-TBP (**) |
| P_n ≥ 0,75 | - | - | TP-TBP |

(*) Motor TP100LA4 2,2 kW and all TP 6 poles motors are available at 60Hz only upon request. As a consequence, these motors are in IE3 efficiency level at 50 Hz and IE2 at 60 Hz in case of bifrequency electrical design (standard 230/400-265/460V 50-60Hz and optional 200/346-220/380V 50-60Hz, 290/500-330/575V 50-60Hz and 400/690-460/800V 50-60Hz, see chapter on input voltage and frequency).

(**) Only 4 poles.

3.2.3 Nominal power - [kW]

| P. | 63A | | | 63B | | 63C | 63D | 71A | | 71B | | 71C |
|----|------|------|------|------|------|------|------|------|------|------|------|------|
| | TS | TH | TP | TH | TP | TH | TH | TH | TP | TH | TP | TH |
| 2 | - | 0,18 | - | 0,25 | - | 0,37 | - | 0,37 | - | 0,55 | - | - |
| 4 | - | 0,12 | 0,12 | 0,18 | 0,18 | - | 0,25 | 0,25 | 0,25 | 0,37 | 0,37 | 0,55 |
| 6 | 0,09 | - | - | 0,12 | - | - | - | 0,18 | - | 0,25 | - | 0,37 |

| P. | 80A | | 80B | | 90S | 90L | 100LR | 100LA | 100L | 112MR | 112MS | 112M |
|----|------|------|------|------|------|-----|-------|-------|------|-------|-------|------|
| | TH | TP | TH | TP | TP | TP | TP | TP | TP | TP | TP | TP |
| 2 | - | 0,75 | - | 1,1 | 1,5 | 2,2 | - | - | 3 | - | - | 4 |
| 4 | 0,55 | 0,55 | - | 0,75 | 1,1 | 1,5 | - | 2,2 | - | 2,2 | 3 | 4 |
| 6 | 0,37 | - | 0,55 | - | 0,75 | - | 1,1 | - | 1,5 | - | - | 2,2 |

| P. | 132S | 132MS | 132MA | 132MB | 132M |
|----|------|-------|-------|-------|------|
| | TP | TP | TP | TP | TP |
| 2 | 5,5 | - | - | - | 7,5 |
| 4 | - | 5,5 | - | - | 7,5 |
| 6 | 3 | - | 4 | 5,5 | - |

| P. | 160M | 160MA | 160MB | 160L | 160LA | 180M | 180L |
|----|------|-------|-------|------|-------|------|------|
| | TP | TP | TP | TP | TP | TP | TP |
| 2 | - | 11 | 15 | 18,5 | - | 22 | - |
| 4 | - | 11 | - | - | 15 | 18,5 | 22 |
| 6 | 7,5 | - | - | 11 | - | - | 15 |

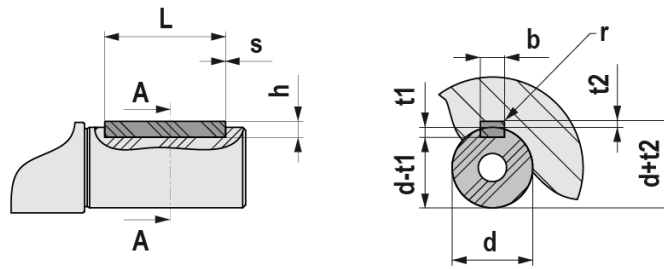
| P. | 200L | 200LA | 200LB | 225S | 225M | 250M | 280S | 280M |
|----|------|-------|-------|------|------|------|------|------|
| | TP | TP | TP | TP | TP | TP | TP | TP |
| 2 | - | 30 | 37 | - | - | - | - | - |
| 4 | 30 | - | - | 37 | 45 | 55 | 75 | 90 |
| 6 | - | 18,5 | 22 | - | - | - | - | - |

3.3 WEIGHTS

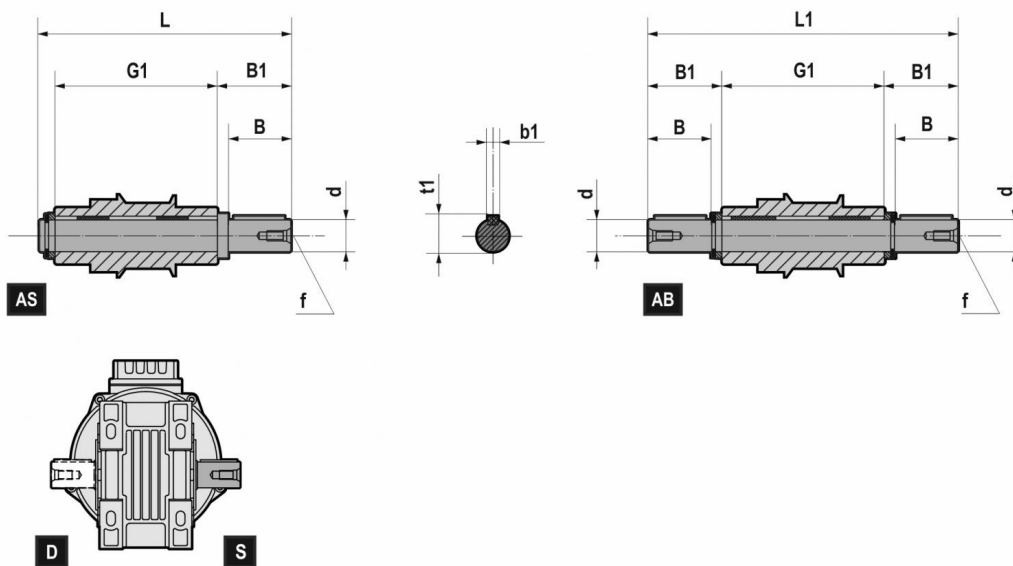
The values reported in the tables are referred to the weight of the gearbox with lubricant excluded.
 *Weight without motor

| * KXAC-KXBC-KXBE | 063 | 071 | 080-090 | 100-112 | 132 | 160-180 | 200 | 225 | 250 | 280 | | KXA-KXB | - kg |
|------------------|------|------|---------|---------|------|---------|-------|-------|-------|-------|------|-------------|-------|
| 202 | 4,8 | 4,9 | 5,1 | / | / | / | / | / | / | / | - kg | 202 | 4,8 |
| 252 | 5,4 | 5,5 | 5,7 | / | / | / | / | / | / | / | | 252 | 5,4 |
| 253 | 7,0 | 7,1 | 8,5 | / | / | / | / | / | / | / | | 253 | 8,2 |
| 352 | / | / | 15,3 | 15,5 | / | / | / | / | / | / | | 352 | 15,4 |
| 353 | 14,2 | 14,3 | 15,7 | / | / | / | / | / | / | / | | 353 | 15,4 |
| 353 | 20,6 | 21 | 21,6 | 25,9 | / | / | / | / | / | / | | 353 | 23,7 |
| 403 | / | / | 29,3 | 31,3 | 33,8 | / | / | / | / | / | | 403 | 33,1 |
| 503 | / | / | 54,8 | 56,8 | 59,5 | 66,2 | / | / | / | / | | 503 | 58,8 |
| 603 | / | / | 76,6 | 79 | 81,7 | 87,7 | / | / | / | / | | 603 | 86,5 |
| 703 | / | / | / | 124 | 127 | 133 | 148 | / | / | / | | 703 | 132 |
| 903 | / | / | / | / | 199 | 206,5 | 221 | 223 | / | / | | 903 | 213 |
| 1003 | / | / | / | / | / | 385,3 | 449,8 | 457,1 | 473,5 | 473,5 | | 1003 | 455,6 |

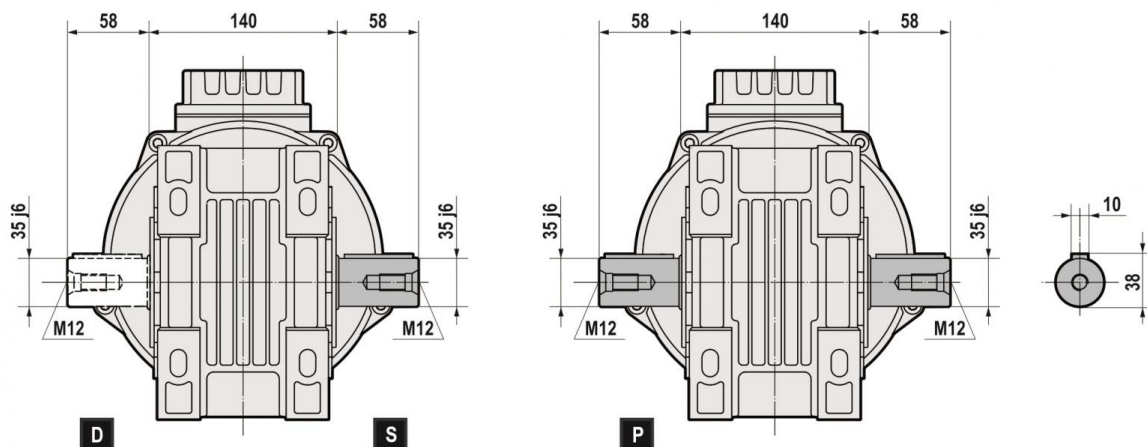
3.4 SHAFT END



| UNI 6604 - DIN 6885 | | | | | | | | | | | | | | |
|---------------------|-----|-------|----|---|----------|---------|-----|------------------------------|--------------|------|------------|-------------|--------------|--------------|
| d | | b x h | | | Tol. b/h | L | | $\frac{s}{\text{min / max}}$ | b | t1 | t2 | Tol. t1/t2 | r max | |
| | 6 | 8 | 2 | x | 2 | h9 / h9 | 6 | 20 | 0,16 0,25 | 2 | 1,2 | 1 | 0,1 0 | 0,08 0,16 |
| > | 8 | 10 | 3 | x | 3 | | 6 | 36 | | 3 | 1,8 | 1,4 | | |
| > | 10 | 12 | 4 | x | 4 | | 8 | 45 | | 4 | 2,5 | 1,8 | | |
| > | 12 | 17 | 5 | x | 5 | | 10 | 56 | 0,25 0,4 | 5 | 3 | 2,3 | 0,16 0,25 | |
| > | 17 | 22 | 6 | x | 6 | | 14 | 70 | | 6 | 3 | 2,8 | | |
| > | 22 | 30 | 8 | x | 7 | | 18 | 90 | 0,4 0,6 | 8 | 4 | 3,3 | 0,2 0 | 0,25 0,4 |
| > | 30 | 38 | 10 | x | 8 | 22 | 110 | 10 | | 5 | 3,3 | | | |
| > | 38 | 44 | 12 | x | 8 | 28 | 140 | 12 | | 5 | 3,3 | | | |
| > | 44 | 50 | 14 | x | 9 | 36 | 160 | 14 | | 5,5 | 3,8 | 0,25 0,4 | | |
| > | 50 | 58 | 16 | x | 10 | 45 | 180 | 16 | | 6 | 4,3 | | | |
| > | 58 | 65 | 18 | x | 11 | 50 | 200 | 18 | | 7 | 4,4 | 0,4 0,6 | | |
| > | 65 | 75 | 20 | x | 12 | 56 | 110 | 20 | 7,5 | 4,9 | | | | |
| > | 75 | 85 | 22 | x | 14 | 63 | 140 | 22 | 9 | 5,4 | | | | |
| > | 85 | 95 | 25 | x | 14 | 70 | 160 | 25 | 9 | 5,4 | 0,6 0,8 | | | |
| > | 95 | 110 | 28 | x | 16 | 80 | 180 | 28 | 10 | 6,4 | | | | |
| > | 110 | 130 | 32 | x | 18 | 90 | 200 | 32 | 11 | 7,4 | 0,3 0 | | 0,7 1 | |
| > | 130 | 150 | 36 | x | 20 | 100 | 160 | 36 | 12 | 8,4 | | | | |
| > | 150 | 170 | 40 | x | 22 | 110 | 180 | 40 | 13 | 9,4 | | | | |
| > | 170 | 200 | 45 | x | 25 | 125 | 200 | 45 | 14 | 10,4 | | | | |

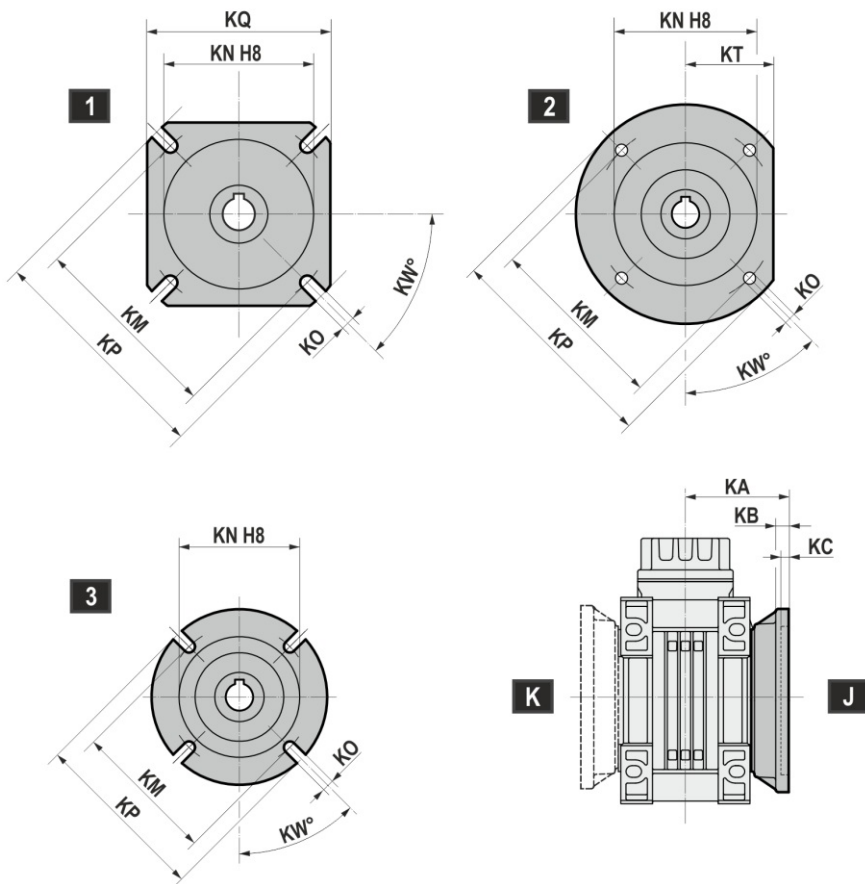


KXA352-353 solid shaft



| | d h6 | B | B1 | G1 | L | L1 | f | b1 | t1 |
|---------------|------|-----|-------|-----|-------|-------|-----|----|------|
| KXA202 | 20 | 40 | 43,5 | 100 | 151 | 187 | M6 | 6 | 22,5 |
| KXA252-KXA253 | 25 | 50 | 53,5 | 112 | 173 | 219 | M10 | 8 | 28 |
| KXB353 | 35 | 58 | 62 | 140 | 210,5 | 264 | M12 | 10 | 38 |
| KXB403 | 40 | 80 | 84,25 | 180 | 273 | 348,5 | M16 | 12 | 43 |
| KXB503 | 50 | 100 | 105 | 210 | 325 | 420 | M16 | 14 | 53,5 |
| KXB603 | 60 | 120 | 125 | 240 | 375 | 490 | M20 | 18 | 64 |
| KXB703 | 70 | 140 | 146 | 300 | 458 | 592 | M20 | 20 | 74,5 |
| KXB903 | 90 | 170 | 176,5 | 350 | 540 | 703 | M20 | 25 | 95 |
| KXB1003 | 100 | 210 | 217,5 | 445 | 677 | 880 | M20 | 28 | 106 |

4.2.1 KXA

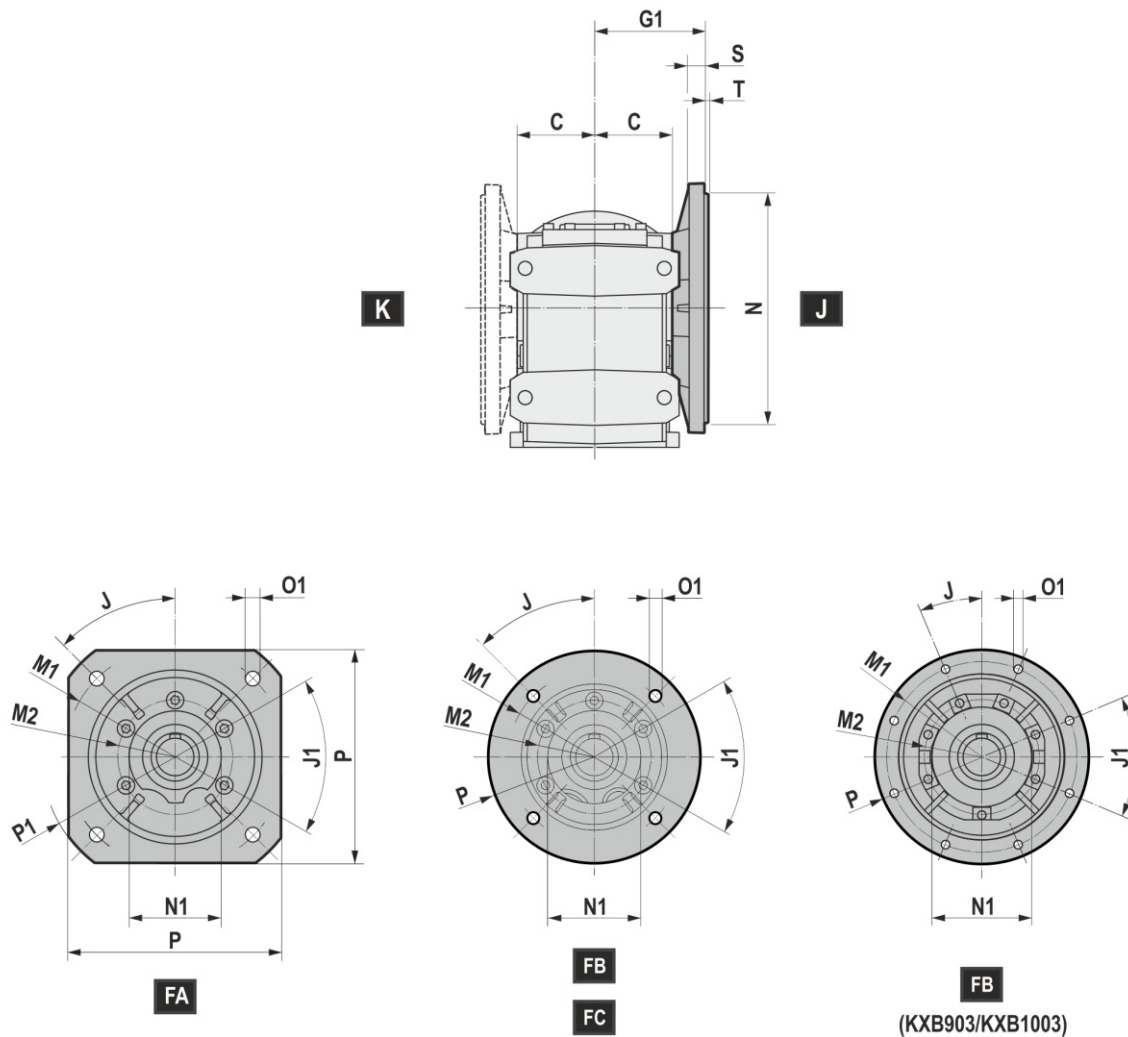


| | KXA 202 | KXA 252-253 | KXA 352-353 |
|----|---------|-------------|-------------|
| FA | 1 | 1 | 1 |
| FB | 1 | 1 | 3 |
| FC | 2 | 2 | - |
| FD | 2 | 2 | - |

| KXA.. | | KA | KB | KC | KN | KM | KO | KP | KQ | KT | KW |
|------------|----|-------|------|----|-----|--------|-----------|-----|-----|----|-----|
| 202 | FA | 92,5 | 9 | 5 | 70 | 90 min | 11 (n°4) | 125 | 110 | - | 45° |
| | FB | 122,5 | 9 | 5 | 70 | 90 min | 11 (n°4) | 125 | 110 | - | 45° |
| | FC | 91,5 | 10 | 5 | 110 | 130 | 9.5 (n°4) | 160 | - | 66 | 45° |
| | FD | 74,5 | 14,5 | 5 | 95 | 115 | 11 (n°4) | 140 | - | 60 | 45° |
| 252 253 | FA | 80 | 10 | 6 | 115 | 150 | 11 (n°4) | 180 | 142 | - | 45° |
| | FB | 110 | 10 | 6 | 115 | 150 | 11 (n°4) | 180 | 142 | - | 45° |
| | FC | 96 | 10 | 5 | 130 | 165 | 11 (n°4) | 200 | - | 80 | 45° |
| | FD | 105 | 10 | 5 | 130 | 165 | 11 (n°4) | 200 | - | - | 45° |
| 352 353 | FA | 119 | 13 | 6 | 130 | 165 | 14 (n°4) | 200 | 170 | - | 45° |
| | FB | 98 | 13 | 6 | 110 | 130 | 11 (n°4) | 160 | - | - | 45° |

Unless specified otherwise, the reduction unit is supplied with the accessories in pos. J referred to position B3/B5.

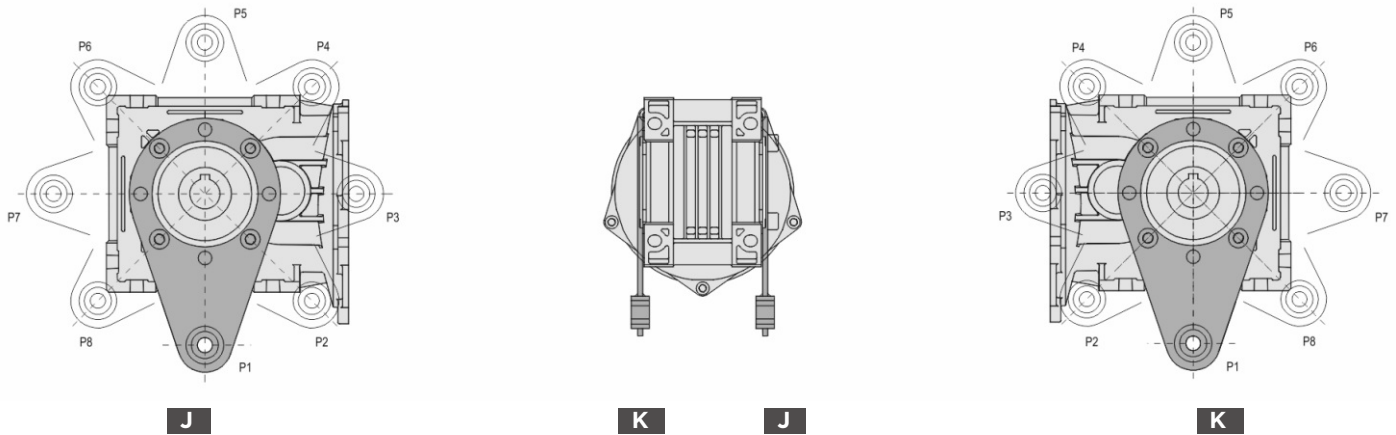
4.2.2 KXB



| KXB..F - KXB..U | | J | J1 | M1 | M2 | N f8 | N1 | O1 | P | P1 | S | T | C | G1 |
|-----------------|----|------|----|-----|-----|------|-----|----|-----|-----|----|-----|-------|-------|
| 353 | FA | 45 | 45 | 265 | 130 | 230 | 110 | 14 | 250 | 300 | 15 | 4 | 61,5 | 93,5 |
| | FB | 45 | 45 | 215 | 130 | 180 | 110 | 14 | 250 | / | 15 | 4 | | |
| | FC | 45 | 45 | 165 | 130 | 130 | 110 | 11 | 200 | / | 15 | 3,5 | | |
| 403 | FA | 45 | 45 | 265 | 130 | 230 | 110 | 14 | 250 | 300 | 15 | 4 | 78 | 110 |
| | FB | 45 | 45 | 215 | 130 | 180 | 110 | 14 | 250 | / | 15 | 4 | | |
| | FC | 45 | 45 | 165 | 130 | 130 | 110 | 11 | 200 | / | 15 | 3,5 | | |
| 503 | FA | 45 | 45 | 300 | 165 | 250 | 130 | 18 | 300 | 350 | 16 | 5 | 95 | 135 |
| | FB | 45 | 45 | 265 | 165 | 230 | 130 | 14 | 300 | / | 16 | 4 | | |
| | FC | 45 | 45 | 215 | 165 | 180 | 130 | 14 | 250 | / | 16 | 4 | | |
| 603 | FA | 45 | 45 | 350 | 185 | 300 | 150 | 18 | 350 | 400 | 18 | 5 | 107,5 | 150 |
| | FB | 45 | 45 | 300 | 185 | 250 | 150 | 18 | 350 | / | 18 | 5 | | |
| | FC | 45 | 45 | 265 | 185 | 230 | 150 | 14 | 300 | / | 18 | 4 | | |
| 703 | FB | 45 | 45 | 350 | 200 | 300 | 170 | 18 | 400 | / | 18 | 5 | 138 | 187,5 |
| 903 | FB | 22,5 | 45 | 400 | 245 | 350 | 210 | 18 | 450 | / | 25 | 5 | 162,5 | 207,5 |
| | FC | 45 | 45 | 350 | 245 | 300 | 210 | 18 | 400 | / | 25 | 5 | | |
| 1003 | FA | 22,5 | 45 | 500 | 298 | 450 | 255 | 18 | 550 | / | 28 | 5 | 202,5 | 256 |

Unless specified otherwise, the reduction unit is supplied with the accessories in pos. J referred to position B3/B5.

4.3.1 Torque arm: KXA Mounting position

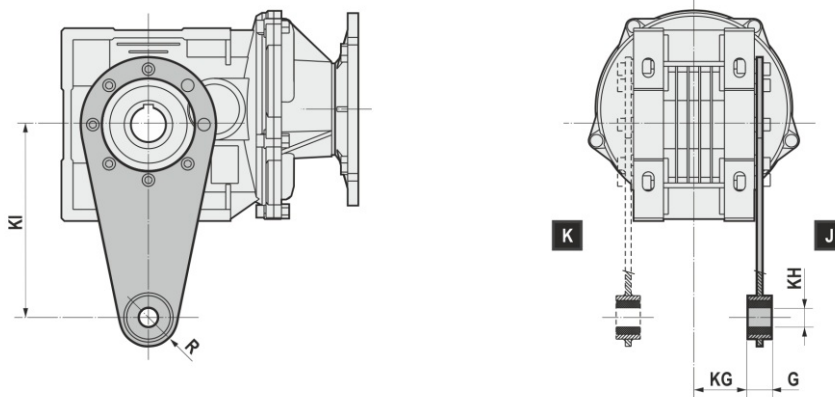


| KXA | P1 | | P2 | | P3 | | P4 | | P5 | | P6 | | P7 | | P8 | | |
|---------|----|---|----|---|----|---|----|---|----|---|----|---|----|---|----|---|---|
| | J | K | J | K | J | K | J | K | J | K | J | K | J | K | J | K | |
| 202 | | * | / | / | / | / | / | / | | | / | / | | | | / | / |
| 252/253 | | | / | / | / | / | / | / | | | | | | | | | |
| 352/353 | | | / | / | / | / | / | / | | | | | | | | | |

(*) Not available with Shrink disc

(/) Not available

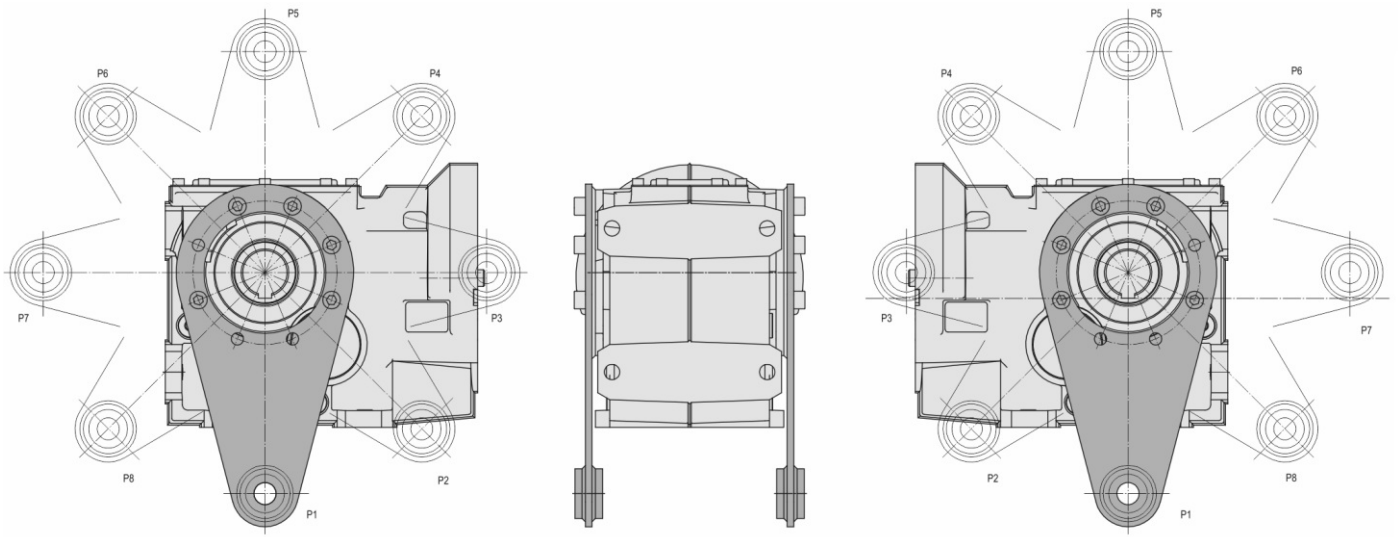
4.3.2 Torque arm: KXA Dimensions



| KXA | KI | KG | KH +0,3/0 | G | R |
|---------|-----|------|-----------|----|----|
| 202 | 100 | 41 | 10 | 14 | 18 |
| 252/253 | 150 | 47 | 10 | 14 | 18 |
| 352/353 | 200 | 55,5 | 20 | 25 | 30 |

Unless specified otherwise, the reduction unit is supplied with the accessories in pos. J referred to position B3/B5.

4.3.3 Torque arm: KXB Mounting position



J

K

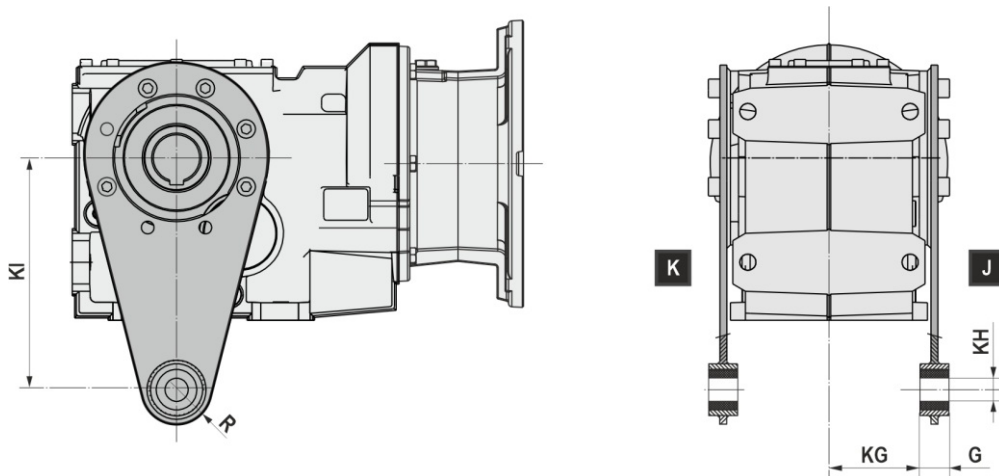
J

K

| KXB | P1 | | P2 | | P3 | | P4 | | P5 | | P6 | | P7 | | P8 | | |
|-----|----|---|----|---|----|---|----|---|----|---|----|---|----|---|----|---|--|
| | J | K | J | K | J | K | J | K | J | K | J | K | J | K | J | K | |
| 353 | | | | | / | / | | | | | | | | | | | |
| 403 | | | / | / | / | / | | | | | | | | | | | |
| 503 | | | / | / | / | / | | | | | | | | | | | |
| 603 | | | / | / | / | / | | | | | | | | | | | |

(/) Not available

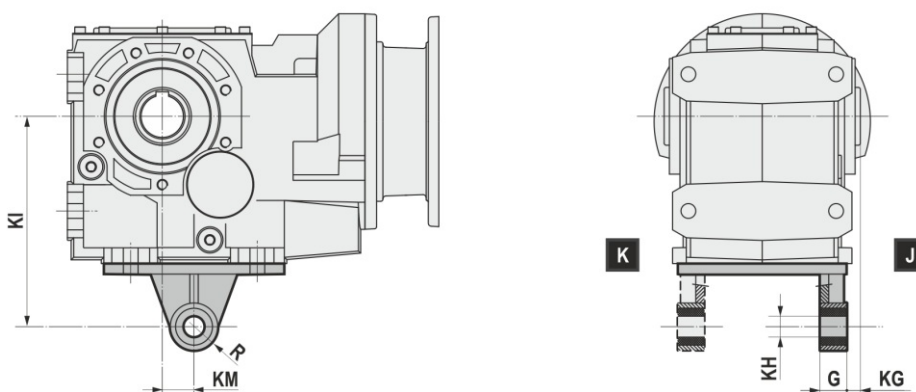
4.3.4 Torque arm: KXB353-403-503-603 Dimensions



| KXB | KI | KG | KH +0,2/0 | G | R |
|------|-----|-------|-----------|----|----|
| 353S | 200 | 62 | 20 | 25 | 30 |
| 403S | 200 | 78,5 | 20 | 25 | 30 |
| 503S | 250 | 95 | 25 | 30 | 35 |
| 603S | 300 | 106,5 | 25 | 40 | 40 |
| 353U | 200 | 62 | 20 | 25 | 30 |
| 403U | 200 | 78,5 | 20 | 25 | 30 |
| 503U | 250 | 95 | 25 | 30 | 35 |
| 603U | 300 | 103,5 | 25 | 40 | 40 |

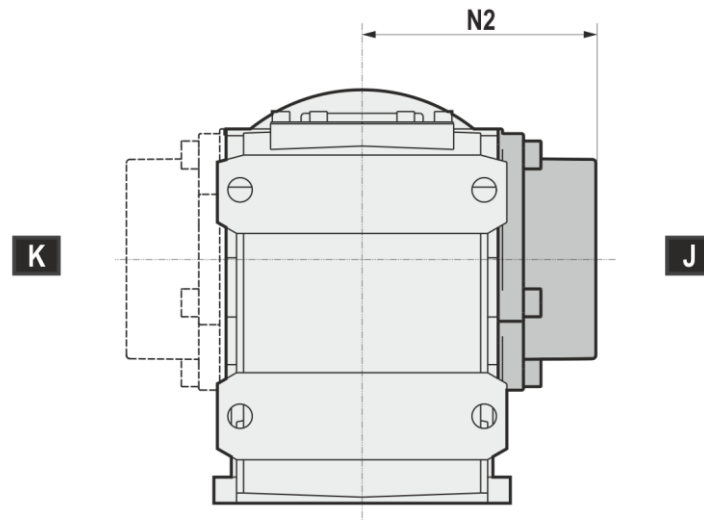
Unless specified otherwise, the reduction unit is supplied with the accessories in pos. J referred to position B3/B5.

4.3.5 Torque arm: KXB703-903-1003 Dimensions



| KXB | KM | KI | KG | KH +0,2/0 | G | R |
|------|----|-----|-----|-----------|-----|----|
| 703 | 45 | 350 | 40 | 30 | 60 | 45 |
| 903 | 45 | 450 | 45 | 30 | 60 | 45 |
| 1003 | 60 | 550 | 7,5 | 40 | 110 | 65 |

Unless specified otherwise, the reduction unit is supplied with the accessories in pos. J referred to position B3/B5.



| KXB | N2 |
|------|-------|
| 353 | 117,5 |
| 403 | 134 |
| 503 | 150 |
| 603 | 174 |
| 703 | 217 |
| 903 | 256,5 |
| 1003 | 301,5 |

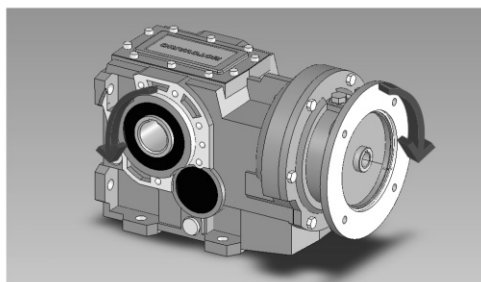
Version L, M, FL, FM, UL, UM supplied not assembled.

Accessory not certified ATEX.

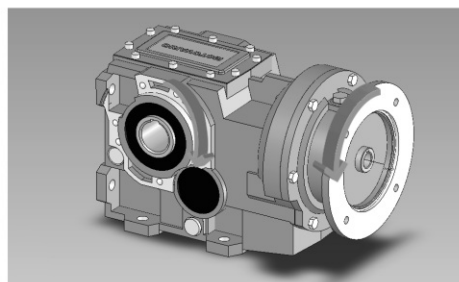
The gear reducer can be supplied with backstop device on input shaft. Backstop device allows output shaft rotation in only one sense of direction; according to the size, it is available in the input flange or in the motor with the same dimensions. It is important to specify the required sense of direction on the order. This device is not available for mounting position V5 with motor size IEC 100...280. On request, the direction of rotation of low speed shaft can be reversed; in this case, it is necessary to specify "opposite rotation" to catalogue when ordering.

SENSE OF DIRECTION AVAILABLE
STANDARD

KXA..2/S - KXA..3/C-D-P-L - KXB..3/C-D-P-L

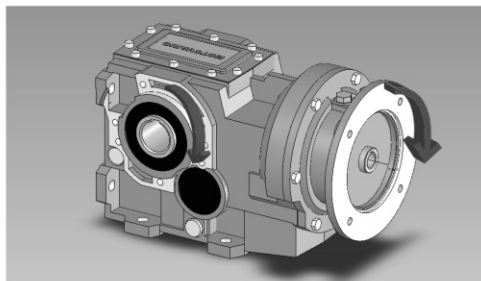


CLOCKWISE SENSE OF DIRECTION
REFERRED TO HIGH SPEED SHAFT

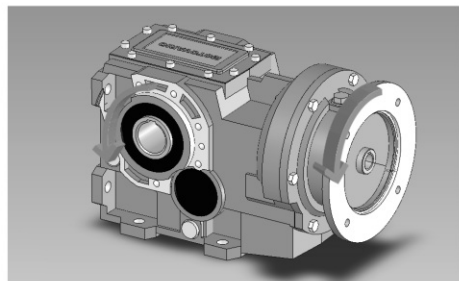


COUNTER CLOCKWISE SENSE OF DIRECTION
REFERRED TO HIGH SPEED SHAFT

KXA..2/C-D-P-L - KXA..3/S - KXB..3/S-M



CLOCKWISE SENSE OF DIRECTION
REFERRED TO HIGH SPEED SHAFT

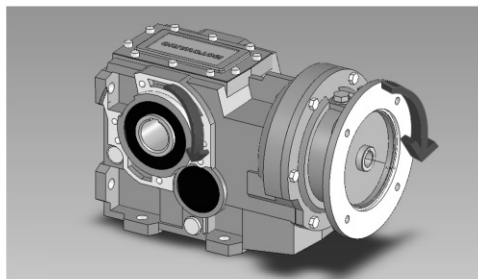


COUNTER CLOCKWISE SENSE OF DIRECTION
REFERRED TO HIGH SPEED SHAFT

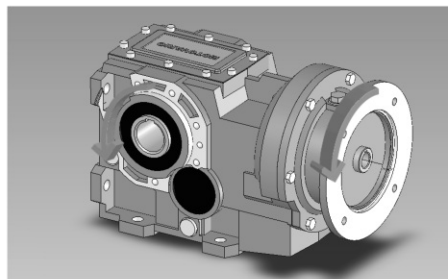
4.5 BACKSTOP DEVICE

SENSE OF DIRECTION AVAILABLE
OPPOSITE ROTATION

KXA..2/S - KXA...3/C-D-P-L - KXB...3/C-D-P-L

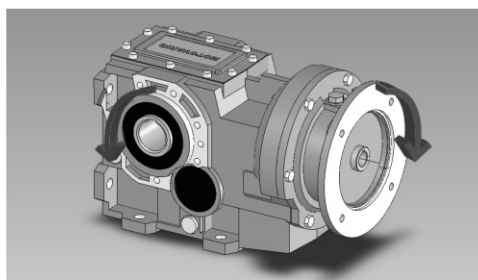


CLOCKWISE SENSE OF DIRECTION
REFERRED TO HIGH SPEED SHAFT

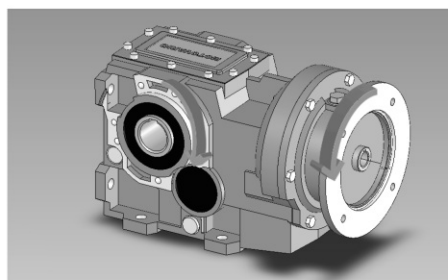


COUNTER CLOCKWISE SENSE OF DIRECTION
REFERRED TO HIGH SPEED SHAFT

KXA..2/C-D-P-L - KXA..3/S - KXB..3/S-M



CLOCKWISE SENSE OF DIRECTION
REFERRED TO HIGH SPEED SHAFT

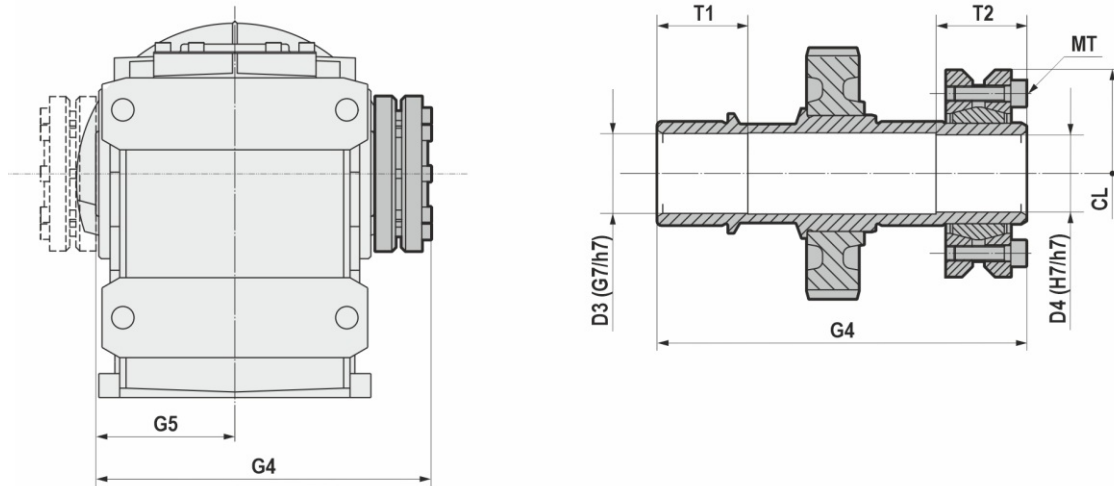


COUNTER CLOCKWISE SENSE OF DIRECTION
REFERRED TO HIGH SPEED SHAFT

| | 063 | 071 | 080 | 090 | 100-112 | 132 | 160 | 180 | 200 | 225 | 250 | 280 |
|-------------|--------|--------|--------|--------|---------|--------|--------|--------|--------|--------|--------|--------|
| KXB | 140x11 | 160x14 | 200x19 | 200x24 | 250x28 | 300x38 | 350x42 | 350x48 | 400x55 | 450x60 | 550x65 | 550x75 |
| 353 | B5 | B5 | B5 | B5 | B5 | | | | | | | |
| 403 | | | B5 | B5 | B5 | B5 | | | | | | |
| 503 | | | B5 | B5 | B5 | B5 | B5 | | | | | |
| 603 | | | | B5 | B5 | B5 | B5 | B5 | | | | |
| 703 | | | | | B5 | B5 | B5 | B5 | B5 | | | |
| 903 | | | | | | B5 | B5 | B5 | B5 | B5 | | |
| 1003 | | | | | | | B5 | B5 | B5 | B5 | B5 | B5 |

4.6 OUTPUT SHAFT WITH SHRINK DISC

Clean and degrease the surfaces of the shaft to be fitted to. Comply with the indicated tightening torque of screws (M_T).

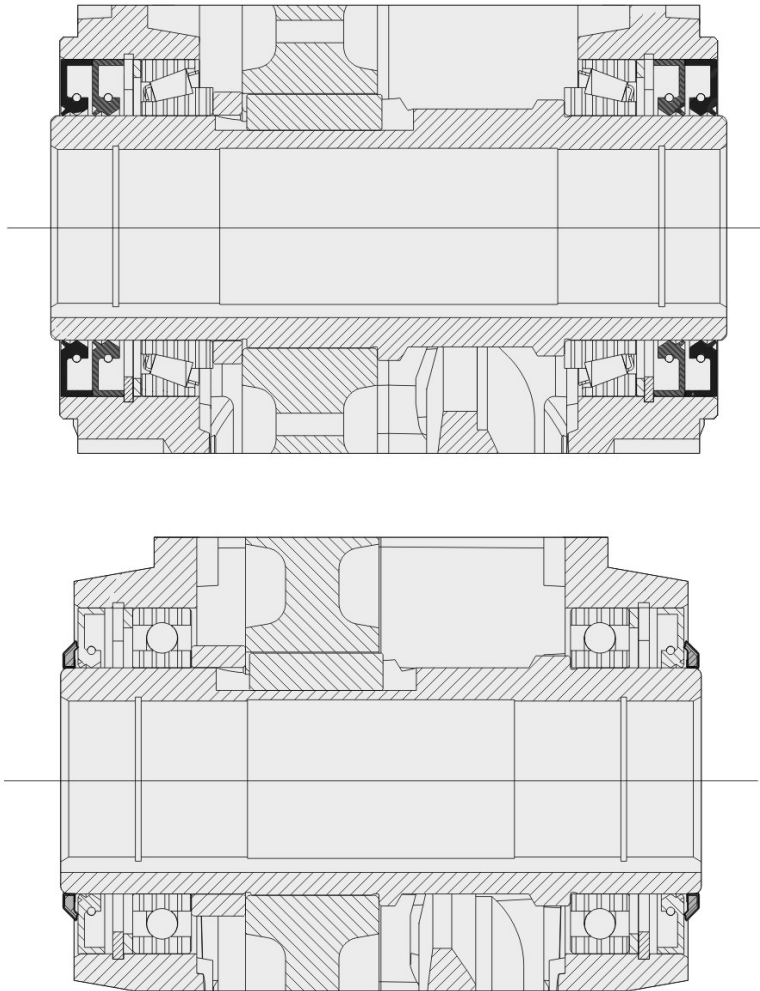


| KXA-KXB | D3 | D4 | G4 | G5 | T1 | T2 | CL | M_T 12,9 [Nm] |
|------------|-----|-----|-----|-------|-----|-----|-----|-----------------|
| KXA202 | 24 | 24 | 130 | 50 | 25 | 35 | 72 | 15 |
| KXA252-253 | 31 | 30 | 143 | 56 | 35 | 35 | 80 | 15 |
| KXA352-353 | 36 | 35 | 173 | 70 | 40 | 35 | 80 | 15 |
| KXB353 | 36 | 35 | 173 | 70 | 40 | 35 | 80 | 15 |
| KXB403 | 41 | 40 | 217 | 90 | 50 | 40 | 100 | 15 |
| KXB503 | 51 | 50 | 248 | 105 | 55 | 40 | 115 | 15 |
| KXB603 | 61 | 60 | 282 | 120 | 60 | 50 | 145 | 40 |
| KXB703 | 72 | 70 | 355 | 150 | 70 | 65 | 170 | 50 |
| KXB903 | 92 | 90 | 415 | 175 | 80 | 75 | 184 | 70 |
| KXB1003 | 102 | 100 | 512 | 222,5 | 100 | 100 | 215 | 70 |

4.7 REINFORCED OIL SEALS FOR OUTPUT SHAFT

The reinforced seal can be done depending on the gearbox size by means of two oil seals or through the standard oil seal with VRM ring. The difference of the two solutions is explained on the drawings.

On request the gear reducer can be supplied with fluoroelastomer FPM (FKM) seals.



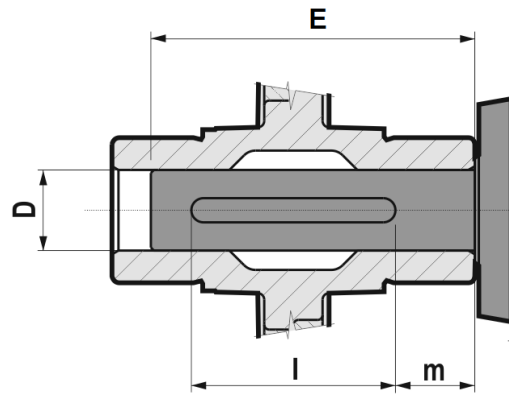
| KXB | Double oil seal | VRM ring |
|------|-----------------|----------|
| 353 | | x |
| 403 | | x |
| 503 | | x |
| 603 | | x |
| 703 | x | |
| 903 | x | |
| 1003 | x | |

Mounting/dismounting kit for hollow shaft gear reducers with keyway that includes:

1. Retaining bolt
2. Circlip
3. Fixed nut
4. Forcing washer



| KXA - KXB | D | A | X | Y | M |
|---------------|-----|-------|----|---|---------|
| KXA202 | 20 | - | - | - | - |
| KXA252/KXA253 | 25 | - | - | - | - |
| | 28 | | | | |
| KXA352/KXA353 | 25 | 12 | 12 | 5 | M12x45 |
| | 30 | 13,8 | 10 | | M10x35 |
| KXB353 | 35 | 12 | 12 | 5 | M12x45 |
| | 40 | | | | M16x50 |
| KXB403 | 40 | 22,25 | 12 | 5 | M16x50 |
| | 45 | | | | |
| KXB503 | 50 | 25 | 12 | 5 | M16x50 |
| KXB603 | 60 | 28 | 16 | 5 | M20x70 |
| KXB703 | 70 | 27,5 | 16 | 5 | M20x70 |
| KXB903 | 90 | 34 | 20 | 5 | M24x60 |
| KXB1003 | 100 | 40 | 20 | 5 | M24x120 |



| | D H7/h6 | E* | l* | m* |
|---------------|---------|-----|-----|----|
| KXA202 | 20 | 90 | 60 | 15 |
| KXA252/KXA253 | 25 | 95 | 60 | 18 |
| | 28 | | | |
| KXA352/KXA353 | 30 | 108 | 80 | 13 |
| | 35 | | | |
| KXB353 | 35 | 108 | 80 | 13 |
| | 40 | | | |
| KXB403 | 40 | 140 | 100 | 18 |
| | 45 | | | |
| KXB503 | 50 | 165 | 120 | 20 |
| KXB603 | 60 | 185 | 140 | 23 |
| KXB703 | 70 | 240 | 170 | 35 |
| KXB903 | 90 | 280 | 200 | 40 |
| KXB1003 | 100 | 370 | 270 | 50 |

(*) Suggested values.

5.1 KXBC/KXAC GEARED MOTORS (50Hz)

0,09 kW

| n2 [rpm] | M2 [Nm] | fs | i | Gear reducer | Size | Motor Pole | Fr2 D-S-P [N] | Fr2 C [N] |
|-------------|------------|-----|--------|-----------------|------|---------------|------------------|--------------|
| 25,5 | 32 | 3,9 | 33,78 | KXAC202 | 63A | 6 | - | 3507 |
| 18,3 | 45 | 2,8 | 47,12 | KXAC202 | 63A | 6 | - | 3918 |
| 15,0 | 55 | 2,3 | 57,43 | KXAC202 | 63A | 6 | - | 4000 |
| 13,4 | 61 | 1,9 | 64,13 | KXAC202 | 63A | 6 | - | 4000 |
| 13,3 | 62 | 3,4 | 64,87 | KXAC252 | 63A | 6 | - | 4000 |
| 11,7 | 67 | 3,5 | 73,70 | KXAC253 | 63A | 6 | - | 4000 |
| 11,0 | 75 | 1,5 | 78,17 | KXAC202 | 63A | 6 | - | 4000 |
| 10,9 | 76 | 2,8 | 79,07 | KXAC252 | 63A | 6 | - | 4000 |
| 9,2 | 85 | 2,7 | 93,33 | KXAC253 | 63A | 6 | - | 4000 |
| 7,7 | 101 | 2,3 | 111,61 | KXAC253 | 63A | 6 | - | 4000 |
| 6,3 | 124 | 1,9 | 136,53 | KXAC253 | 63A | 6 | - | 4000 |
| 5,7 | 136 | 3,5 | 149,73 | KXAC353 | 63A | 6 | 10000 | 5500 |
| 5,0 | 157 | 1,5 | 172,53 | KXAC253 | 63A | 6 | - | 4000 |
| 4,8 | 164 | 2,9 | 180,23 | KXAC353 | 63A | 6 | 10000 | 5500 |
| 4,4 | 179 | 1,3 | 197,11 | KXAC253 | 63A | 6 | - | 4000 |
| 3,9 | 203 | 2,3 | 222,93 | KXAC353 | 63A | 6 | 10000 | 5500 |
| 3,5 | 226 | 1,0 | 249,08 | KXAC253 | 63A | 6 | - | 4000 |
| 3,3 | 236 | 2,0 | 260,20 | KXAC353 | 63A | 6 | 10000 | 5500 |
| 3,2 | 246 | 0,9 | 271,16 | KXAC253 | 63A | 6 | - | 4000 |
| 2,7 | 292 | 1,6 | 321,85 | KXAC353 | 63A | 6 | 10000 | 5500 |
| 2,4 | 325 | 1,5 | 357,95 | KXAC353 | 63A | 6 | 10000 | 5500 |
| 1,9 | 402 | 1,2 | 442,76 | KXAC353 | 63A | 6 | 10000 | 5500 |

0,12 kW

| n2 [rpm] | M2 [Nm] | fs | i | Gear reducer | Size | Motor Pole | Fr2 D-S-P [N] | Fr2 C [N] |
|-------------|------------|-----|-------|-----------------|------|---------------|------------------|--------------|
| 31,1 | 36 | 3,5 | 28,00 | KXAC202 | 63B | 6 | - | 3294 |
| 28,6 | 38 | 3,1 | 47,12 | KXAC202 | 63A | 4 | - | 3379 |
| 27,8 | 40 | 3,2 | 31,27 | KXAC202 | 63B | 6 | - | 3417 |
| 25,8 | 43 | 2,9 | 33,78 | KXAC202 | 63B | 6 | - | 3507 |
| 23,5 | 47 | 2,6 | 57,43 | KXAC202 | 63A | 4 | - | 3610 |
| 21,1 | 52 | 2,1 | 64,13 | KXAC202 | 63A | 4 | - | 3745 |
| 20,9 | 53 | 3,8 | 64,87 | KXAC252 | 63A | 4 | - | 4000 |
| 20,7 | 53 | 3,9 | 41,97 | KXAC252 | 63B | 6 | - | 4000 |
| 18,5 | 59 | 2,1 | 47,12 | KXAC202 | 63B | 6 | - | 3918 |
| 18,3 | 57 | 3,9 | 73,70 | KXAC253 | 63A | 4 | - | 4000 |
| 17,2 | 64 | 1,7 | 78,17 | KXAC202 | 63A | 4 | - | 4000 |
| 17,0 | 64 | 3,1 | 79,07 | KXAC252 | 63A | 4 | - | 4000 |
| 17,0 | 65 | 3,5 | 51,34 | KXAC252 | 63B | 6 | - | 4000 |
| 15,2 | 72 | 1,7 | 57,43 | KXAC202 | 63B | 6 | - | 4000 |
| 14,5 | 71 | 3,1 | 93,33 | KXAC253 | 63A | 4 | - | 4000 |
| 13,6 | 81 | 1,4 | 64,13 | KXAC202 | 63B | 6 | - | 4000 |

5.1 KXBC/KXAC GEARED MOTORS (50Hz)

0,12 kW

| n2 [rpm] | M2 [Nm] | fs | i | Gear reducer | Size | Motor Pole | Fr2 D-S-P [N] | Fr2 C [N] |
|-------------|------------|-----|--------|-----------------|------|---------------|------------------|--------------|
| 13,5 | 82 | 2,5 | 64,87 | KXAC252 | 63B | 6 | - | 4000 |
| 12,1 | 85 | 2,6 | 111,61 | KXAC253 | 63A | 4 | - | 4000 |
| 11,8 | 88 | 2,6 | 73,70 | KXAC253 | 63B | 6 | - | 4000 |
| 11,1 | 99 | 1,2 | 78,17 | KXAC202 | 63B | 6 | - | 4000 |
| 11,0 | 100 | 2,1 | 79,07 | KXAC252 | 63B | 6 | - | 4000 |
| 9,9 | 104 | 2,1 | 136,53 | KXAC253 | 63A | 4 | - | 4000 |
| 9,3 | 112 | 2,0 | 93,33 | KXAC253 | 63B | 6 | - | 4000 |
| 9,0 | 114 | 3,9 | 149,73 | KXAC353 | 63A | 4 | 10000 | 5500 |
| 7,9 | 132 | 1,7 | 172,53 | KXAC253 | 63A | 4 | - | 4000 |
| 7,8 | 133 | 1,7 | 111,61 | KXAC253 | 63B | 6 | - | 4000 |
| 7,5 | 138 | 3,2 | 180,23 | KXAC353 | 63A | 4 | 10000 | 5500 |
| 7,2 | 144 | 3,2 | 120,34 | KXAC353 | 63B | 6 | 10000 | 5500 |
| 6,9 | 151 | 1,5 | 197,11 | KXAC253 | 63A | 4 | - | 4000 |
| 6,4 | 163 | 1,4 | 136,53 | KXAC253 | 63B | 6 | - | 4000 |
| 6,3 | 167 | 3,7 | 139,15 | KXBC353 | 63B | 6 | 12000 | 7811 |
| 6,0 | 171 | 2,6 | 222,93 | KXAC353 | 63A | 4 | 10000 | 5500 |
| 5,8 | 179 | 2,6 | 149,73 | KXAC353 | 63B | 6 | 10000 | 5500 |
| 5,6 | 189 | 3,3 | 157,42 | KXBC353 | 63B | 6 | 12000 | 8000 |
| 5,4 | 191 | 1,1 | 249,08 | KXAC253 | 63A | 4 | - | 4000 |
| 5,1 | 199 | 2,2 | 260,20 | KXAC353 | 63A | 4 | 10000 | 5500 |
| 5,1 | 207 | 1,1 | 172,53 | KXAC253 | 63B | 6 | - | 4000 |
| 4,9 | 207 | 1,1 | 271,16 | KXAC253 | 63A | 4 | - | 4000 |
| 4,9 | 216 | 2,2 | 180,23 | KXAC353 | 63B | 6 | 10000 | 5500 |
| 4,5 | 236 | 1,0 | 197,11 | KXAC253 | 63B | 6 | - | 4000 |
| 4,2 | 246 | 1,8 | 321,85 | KXAC353 | 63A | 4 | 10000 | 5500 |
| 3,9 | 267 | 1,7 | 222,93 | KXAC353 | 63B | 6 | 10000 | 5500 |
| 3,7 | 274 | 1,6 | 357,95 | KXAC353 | 63A | 4 | 10000 | 5500 |
| 3,3 | 311 | 1,5 | 260,20 | KXAC353 | 63B | 6 | 10000 | 5500 |
| 3,0 | 338 | 1,3 | 442,76 | KXAC353 | 63A | 4 | 10000 | 5500 |
| 2,7 | 386 | 1,2 | 321,85 | KXAC353 | 63B | 6 | 10000 | 5500 |
| 2,4 | 429 | 1,1 | 357,95 | KXAC353 | 63B | 6 | 10000 | 5500 |

0,18 kW

| n2 [rpm] | M2 [Nm] | fs | i | Gear reducer | Size | Motor Pole | Fr2 D-S-P [N] | Fr2 C [N] |
|-------------|------------|-----|-------|-----------------|------|---------------|------------------|--------------|
| 69,5 | 24 | 4,0 | 12,95 | KXAC202 | 71A | 6 | - | 2509 |
| 62,2 | 26 | 3,6 | 14,46 | KXAC202 | 71A | 6 | - | 2603 |
| 60,0 | 27 | 3,4 | 47,12 | KXAC202 | 63A | 2 | - | 2643 |
| 49,3 | 32 | 2,8 | 57,43 | KXAC202 | 63A | 2 | - | 2824 |
| 48,6 | 33 | 3,6 | 28,00 | KXAC202 | 63B | 4 | - | 2848 |
| 44,2 | 36 | 2,3 | 64,13 | KXAC202 | 63A | 2 | - | 2929 |
| 43,5 | 37 | 3,2 | 31,27 | KXAC202 | 63B | 4 | - | 2955 |

0,18 kW

| n2 [rpm] | M2 [Nm] | fs | i | Gear reducer | Size | Motor Pole | Fr2 D-S-P [N] | Fr2 C [N] |
|-------------|------------|-----|--------|-----------------|------|---------------|------------------|--------------|
| 40,3 | 40 | 3,0 | 33,78 | KXAC202 | 63B | 4 | - | 3032 |
| 39,2 | 42 | 3,0 | 22,97 | KXAC202 | 71A | 6 | - | 3037 |
| 36,2 | 44 | 1,9 | 78,17 | KXAC202 | 63A | 2 | - | 3129 |
| 35,8 | 45 | 3,4 | 79,07 | KXAC252 | 63A | 2 | - | 3366 |
| 32,4 | 51 | 4,0 | 41,97 | KXAC252 | 63B | 4 | - | 3492 |
| 32,1 | 51 | 2,5 | 28,00 | KXAC202 | 71A | 6 | - | 3244 |
| 30,3 | 49 | 3,3 | 93,33 | KXAC253 | 63A | 2 | - | 3557 |
| 28,8 | 57 | 2,1 | 47,12 | KXAC202 | 63B | 4 | - | 3388 |
| 28,8 | 57 | 2,2 | 31,27 | KXAC202 | 71A | 6 | - | 3366 |
| 28,5 | 58 | 3,6 | 31,63 | KXAC252 | 71A | 6 | - | 3620 |
| 26,6 | 62 | 2,0 | 33,78 | KXAC202 | 71A | 6 | - | 3454 |
| 26,5 | 62 | 3,6 | 51,34 | KXAC252 | 63B | 4 | - | 3735 |
| 25,6 | 64 | 3,3 | 35,10 | KXAC252 | 71A | 6 | - | 3748 |
| 25,4 | 59 | 2,8 | 111,61 | KXAC253 | 63A | 2 | - | 3775 |
| 23,7 | 69 | 1,7 | 57,43 | KXAC202 | 63B | 4 | - | 3619 |
| 21,4 | 77 | 2,7 | 41,97 | KXAC252 | 71A | 6 | - | 3978 |
| 21,2 | 77 | 1,4 | 64,13 | KXAC202 | 63B | 4 | - | 3754 |
| 21,0 | 78 | 2,6 | 64,87 | KXAC252 | 63B | 4 | - | 4000 |
| 20,7 | 72 | 2,3 | 136,53 | KXAC253 | 63A | 2 | - | 4000 |
| 19,1 | 86 | 1,5 | 47,12 | KXAC202 | 71A | 6 | - | 3859 |
| 18,4 | 84 | 2,7 | 73,70 | KXAC253 | 63B | 4 | - | 4000 |
| 17,5 | 94 | 2,5 | 51,34 | KXAC252 | 71A | 6 | - | 4000 |
| 17,4 | 94 | 1,1 | 78,17 | KXAC202 | 63B | 4 | - | 4000 |
| 17,2 | 95 | 2,1 | 79,07 | KXAC252 | 63B | 4 | - | 4000 |
| 16,4 | 91 | 1,8 | 172,53 | KXAC253 | 63A | 2 | - | 4000 |
| 15,7 | 105 | 1,2 | 57,43 | KXAC202 | 71A | 6 | - | 4000 |
| 15,7 | 95 | 3,5 | 180,23 | KXAC353 | 63A | 2 | 10000 | 5500 |
| 14,6 | 107 | 2,0 | 93,33 | KXAC253 | 63B | 4 | - | 4000 |
| 14,4 | 104 | 1,6 | 197,11 | KXAC253 | 63A | 2 | - | 4000 |
| 14,0 | 111 | 4,1 | 97,29 | KXAC353 | 63B | 4 | 10000 | 5500 |
| 14,0 | 118 | 1,0 | 64,13 | KXAC202 | 71A | 6 | - | 4000 |
| 13,9 | 119 | 1,8 | 64,87 | KXAC252 | 71A | 6 | - | 4000 |
| 12,7 | 118 | 2,8 | 222,93 | KXAC353 | 63A | 2 | 10000 | 5500 |
| 12,2 | 128 | 1,8 | 73,70 | KXAC253 | 71A | 6 | - | 4000 |
| 12,2 | 127 | 1,7 | 111,61 | KXAC253 | 63B | 4 | - | 4000 |
| 11,4 | 145 | 1,4 | 79,07 | KXAC252 | 71A | 6 | - | 4000 |
| 11,4 | 137 | 3,3 | 120,34 | KXAC353 | 63B | 4 | 10000 | 5500 |
| 11,3 | 132 | 1,2 | 249,08 | KXAC253 | 63A | 2 | - | 4000 |
| 11,1 | 140 | 3,4 | 80,83 | KXAC353 | 71A | 6 | 10000 | 5500 |
| 10,9 | 138 | 2,4 | 260,20 | KXAC353 | 63A | 2 | 10000 | 5500 |
| 10,4 | 143 | 1,1 | 271,16 | KXAC253 | 63A | 2 | - | 4000 |
| 9,9 | 155 | 1,4 | 136,53 | KXAC253 | 63B | 4 | - | 4000 |

0,18 kW

| n2 [rpm] | M2 [Nm] | fs | i | Gear reducer | Size | Motor Pole | Fr2 D-S-P [N] | Fr2 C [N] |
|----------|---------|-----|--------|--------------|------|------------|---------------|-----------|
| 9,8 | 158 | 3,8 | 139,15 | KXBC353 | 63B | 4 | 12000 | 6744 |
| 9,6 | 162 | 1,4 | 93,33 | KXAC253 | 71A | 6 | - | 4000 |
| 9,3 | 169 | 2,8 | 97,29 | KXAC353 | 71A | 6 | 10000 | 5500 |
| 9,1 | 170 | 2,7 | 149,73 | KXAC353 | 63B | 4 | 10000 | 5500 |
| 8,9 | 176 | 3,6 | 101,20 | KXBC353 | 71A | 6 | 12000 | 6893 |
| 8,8 | 170 | 2,0 | 321,85 | KXAC353 | 63A | 2 | 10000 | 5500 |
| 8,6 | 179 | 3,4 | 157,42 | KXBC353 | 63B | 4 | 12000 | 7005 |
| 8,1 | 194 | 1,2 | 111,61 | KXAC253 | 71A | 6 | - | 4000 |
| 8,1 | 194 | 3,2 | 111,74 | KXBC353 | 71A | 6 | 12000 | 7106 |
| 7,9 | 189 | 1,8 | 357,95 | KXAC353 | 63A | 2 | 10000 | 5500 |
| 7,9 | 197 | 1,1 | 172,53 | KXAC253 | 63B | 4 | - | 4000 |
| 7,6 | 205 | 2,1 | 180,23 | KXAC353 | 63B | 4 | 10000 | 5500 |
| 7,5 | 209 | 2,3 | 120,34 | KXAC353 | 71A | 6 | 10000 | 5500 |
| 7,2 | 216 | 2,9 | 124,20 | KXBC353 | 71A | 6 | 12000 | 7340 |
| 6,9 | 224 | 1,0 | 197,11 | KXAC253 | 63B | 4 | - | 4000 |
| 6,6 | 237 | 1,0 | 136,53 | KXAC253 | 71A | 6 | - | 4000 |
| 6,5 | 242 | 2,6 | 139,15 | KXBC353 | 71A | 6 | 12000 | 7597 |
| 6,4 | 234 | 1,4 | 442,76 | KXAC353 | 63A | 2 | 10000 | 5500 |
| 6,1 | 253 | 1,7 | 222,93 | KXAC353 | 63B | 4 | 10000 | 5500 |
| 6,0 | 260 | 1,8 | 149,73 | KXAC353 | 71A | 6 | 10000 | 5500 |
| 5,7 | 273 | 2,3 | 157,42 | KXBC353 | 71A | 6 | 12000 | 7885 |
| 5,2 | 296 | 1,5 | 260,20 | KXAC353 | 63B | 4 | 10000 | 5500 |
| 5,0 | 313 | 1,5 | 180,23 | KXAC353 | 71A | 6 | 10000 | 5500 |
| 4,2 | 366 | 1,2 | 321,85 | KXAC353 | 63B | 4 | 10000 | 5500 |
| 4,0 | 387 | 1,2 | 222,93 | KXAC353 | 71A | 6 | 10000 | 5500 |
| 3,8 | 407 | 1,1 | 357,95 | KXAC353 | 63B | 4 | 10000 | 5500 |
| 3,5 | 452 | 1,0 | 260,20 | KXAC353 | 71A | 6 | 10000 | 5500 |

0,25 kW

| n2 [rpm] | M2 [Nm] | fs | i | Gear reducer | Size | Motor Pole | Fr2 D-S-P [N] | Fr2 C [N] |
|----------|---------|-----|-------|--------------|---------|------------|---------------|-----------|
| 95,4 | 25 | 3,7 | 14,46 | KXAC202 | 63D/71A | 4 | - | 2252 |
| 90,2 | 24 | 3,7 | 31,27 | KXAC202 | 63B | 2 | - | 2306 |
| 85,6 | 27 | 3,5 | 10,62 | KXAC202 | 71B | 6 | - | 2349 |
| 83,5 | 26 | 3,4 | 33,78 | KXAC202 | 63B | 2 | - | 2366 |
| 70,3 | 33 | 2,9 | 12,95 | KXAC202 | 71B | 6 | - | 2509 |
| 62,9 | 37 | 2,6 | 14,46 | KXAC202 | 71B | 6 | - | 2603 |
| 59,8 | 37 | 2,4 | 47,12 | KXAC202 | 63B | 2 | - | 2643 |
| 58,8 | 38 | 3,1 | 22,97 | KXAC202 | 63D/71A | 4 | - | 2673 |
| 55,2 | 42 | 3,0 | 16,47 | KXAC202 | 71B | 6 | - | 2718 |
| 49,2 | 47 | 2,5 | 28,00 | KXAC202 | 63D/71A | 4 | - | 2807 |
| 49,1 | 45 | 2,0 | 57,43 | KXAC202 | 63B | 2 | - | 2824 |

0,25 kW

| n2 [rpm] | M2 [Nm] | fs | i | Gear reducer | Motor Size | Pole | Fr2 D-S-P [N] | Fr2 C [N] |
|-------------|------------|-----|--------|-----------------|---------------|------|------------------|--------------|
| 44,0 | 50 | 1,6 | 64,13 | KXAC202 | 63B | 2 | - | 2929 |
| 43,6 | 54 | 3,8 | 31,63 | KXAC252 | 63D/71A | 4 | - | 3132 |
| 43,5 | 51 | 3,0 | 64,87 | KXAC252 | 63B | 2 | - | 3151 |
| 43,2 | 53 | 2,2 | 31,27 | KXAC202 | 63D/71A | 4 | - | 2962 |
| 40,0 | 57 | 2,1 | 33,78 | KXAC202 | 63D/71A | 4 | - | 3040 |
| 39,6 | 57 | 2,2 | 22,97 | KXAC202 | 71B | 6 | - | 3037 |
| 39,3 | 59 | 3,4 | 35,10 | KXAC252 | 63D/71A | 4 | - | 3242 |
| 38,3 | 55 | 3,0 | 73,70 | KXAC253 | 63B | 2 | - | 3288 |
| 36,4 | 63 | 3,3 | 25,03 | KXAC252 | 71B | 6 | - | 3349 |
| 36,1 | 61 | 1,4 | 78,17 | KXAC202 | 63B | 2 | - | 3129 |
| 35,7 | 62 | 2,4 | 79,07 | KXAC252 | 63B | 2 | - | 3366 |
| 32,5 | 70 | 1,8 | 28,00 | KXAC202 | 71B | 6 | - | 3244 |
| 32,2 | 70 | 2,9 | 41,97 | KXAC252 | 63D/71A | 4 | - | 3501 |
| 30,2 | 69 | 2,4 | 93,33 | KXAC253 | 63B | 2 | - | 3557 |
| 29,3 | 79 | 1,6 | 47,12 | KXAC202 | 63D/71A | 4 | - | 3338 |
| 29,1 | 79 | 1,6 | 31,27 | KXAC202 | 71B | 6 | - | 3366 |
| 28,8 | 80 | 2,6 | 31,63 | KXAC252 | 71B | 6 | - | 3620 |
| 26,9 | 86 | 2,5 | 51,34 | KXAC252 | 63D/71A | 4 | - | 3681 |
| 26,9 | 85 | 1,5 | 33,78 | KXAC202 | 71B | 6 | - | 3454 |
| 25,9 | 88 | 2,4 | 35,10 | KXAC252 | 71B | 6 | - | 3748 |
| 25,3 | 82 | 2,0 | 111,61 | KXAC253 | 63B | 2 | - | 3775 |
| 23,5 | 97 | 1,2 | 57,43 | KXAC202 | 63D/71A | 4 | - | 3628 |
| 23,5 | 88 | 3,8 | 120,34 | KXAC353 | 63B | 2 | 9807 | 4904 |
| 21,6 | 106 | 2,0 | 41,97 | KXAC252 | 71B | 6 | - | 3978 |
| 21,5 | 108 | 1,1 | 64,13 | KXAC202 | 63D/71A | 4 | - | 3700 |
| 21,2 | 109 | 1,8 | 64,87 | KXAC252 | 63D/71A | 4 | - | 3979 |
| 20,6 | 100 | 1,6 | 136,53 | KXAC253 | 63B | 2 | - | 4000 |
| 19,3 | 119 | 1,1 | 47,12 | KXAC202 | 71B | 6 | - | 3859 |
| 18,8 | 110 | 3,0 | 149,73 | KXAC353 | 63B | 2 | 10000 | 5274 |
| 18,8 | 117 | 1,8 | 73,70 | KXAC253 | 63D/71A | 4 | - | 4000 |
| 17,9 | 116 | 3,9 | 157,42 | KXBC353 | 63B | 2 | 12000 | 5514 |
| 17,7 | 130 | 1,8 | 51,34 | KXAC252 | 71B | 6 | - | 4000 |
| 17,2 | 126 | 3,7 | 52,83 | KXAC353 | 71B | 6 | 10000 | 5441 |
| 17,1 | 133 | 1,5 | 79,07 | KXAC252 | 63D/71A | 4 | - | 4000 |
| 16,7 | 129 | 3,5 | 80,83 | KXAC353 | 63D/71A | 4 | 10000 | 5500 |
| 16,3 | 127 | 1,3 | 172,53 | KXAC253 | 63B | 2 | - | 4000 |
| 15,6 | 132 | 2,5 | 180,23 | KXAC353 | 63B | 2 | 10000 | 5500 |
| 14,4 | 149 | 1,4 | 93,33 | KXAC253 | 63D/71A | 4 | - | 4000 |
| 14,3 | 145 | 1,1 | 197,11 | KXAC253 | 63B | 2 | - | 4000 |
| 14,1 | 163 | 1,3 | 64,87 | KXAC252 | 71B | 6 | - | 4000 |
| 14,0 | 156 | 3,0 | 65,35 | KXAC353 | 71B | 6 | 10000 | 5500 |
| 13,9 | 154 | 2,9 | 97,29 | KXAC353 | 63D/71A | 4 | 10000 | 5500 |

0,25 kW

| n2 [rpm] | M2 [Nm] | fs | i | Gear reducer | Motor Size | Pole | Fr2 D-S-P [N] | Fr2 C [N] |
|----------|---------|-----|--------|--------------|------------|------|---------------|-----------|
| 13,3 | 161 | 3,7 | 101,20 | KXBC353 | 63D/71A | 4 | 12000 | 6062 |
| 13,1 | 165 | 3,8 | 69,16 | KXBC353 | 71B | 6 | 12000 | 6064 |
| 12,7 | 164 | 2,0 | 222,93 | KXAC353 | 63B | 2 | 10000 | 5500 |
| 12,4 | 178 | 1,3 | 111,61 | KXAC253 | 63D/71A | 4 | - | 4000 |
| 12,3 | 176 | 1,3 | 73,70 | KXAC253 | 71B | 6 | - | 4000 |
| 12,3 | 178 | 3,4 | 111,74 | KXBC353 | 63D/71A | 4 | 12000 | 6151 |
| 11,7 | 185 | 3,4 | 77,48 | KXBC353 | 71B | 6 | 12000 | 6278 |
| 11,5 | 199 | 1,0 | 79,07 | KXAC252 | 71B | 6 | - | 4000 |
| 11,2 | 192 | 2,4 | 120,34 | KXAC353 | 63D/71A | 4 | 10000 | 5500 |
| 11,2 | 193 | 2,4 | 80,83 | KXAC353 | 71B | 6 | 10000 | 5500 |
| 11,1 | 198 | 3,0 | 124,20 | KXBC353 | 63D/71A | 4 | 12000 | 6352 |
| 10,9 | 192 | 1,8 | 260,20 | KXAC353 | 63B | 2 | 10000 | 5500 |
| 10,1 | 217 | 1,0 | 136,53 | KXAC253 | 63D/71A | 4 | - | 4000 |
| 10,1 | 216 | 2,9 | 90,33 | KXBC353 | 71B | 6 | 12000 | 6577 |
| 9,7 | 222 | 2,7 | 139,15 | KXBC353 | 63D/71A | 4 | 12000 | 6678 |
| 9,7 | 223 | 1,0 | 93,33 | KXAC253 | 71B | 6 | - | 4000 |
| 9,4 | 232 | 2,0 | 97,29 | KXAC353 | 71B | 6 | 10000 | 5500 |
| 9,0 | 239 | 1,8 | 149,73 | KXAC353 | 63D/71A | 4 | 10000 | 5500 |
| 9,0 | 241 | 2,6 | 101,20 | KXBC353 | 71B | 6 | 12000 | 6805 |
| 8,8 | 236 | 1,4 | 321,85 | KXAC353 | 63B | 2 | 10000 | 5500 |
| 8,6 | 250 | 2,4 | 157,42 | KXBC353 | 63D/71A | 4 | 12000 | 6929 |
| 8,2 | 266 | 2,3 | 111,74 | KXBC353 | 71B | 6 | 12000 | 7009 |
| 7,9 | 263 | 1,3 | 357,95 | KXAC353 | 63B | 2 | 10000 | 5500 |
| 7,6 | 287 | 1,6 | 180,23 | KXAC353 | 63D/71A | 4 | 10000 | 5500 |
| 7,6 | 287 | 1,6 | 120,34 | KXAC353 | 71B | 6 | 10000 | 5500 |
| 7,3 | 296 | 2,1 | 124,20 | KXBC353 | 71B | 6 | 12000 | 7232 |
| 6,6 | 332 | 1,9 | 139,15 | KXBC353 | 71B | 6 | 12000 | 7476 |
| 6,3 | 326 | 1,0 | 442,76 | KXAC353 | 63B | 2 | 10000 | 5500 |
| 6,2 | 355 | 1,3 | 222,93 | KXAC353 | 63D/71A | 4 | 10000 | 5500 |
| 6,1 | 357 | 1,3 | 149,73 | KXAC353 | 71B | 6 | 10000 | 5500 |
| 5,8 | 376 | 1,7 | 157,42 | KXBC353 | 71B | 6 | 12000 | 7748 |
| 5,2 | 415 | 1,1 | 260,20 | KXAC353 | 63D/71A | 4 | 10000 | 5500 |
| 5,1 | 430 | 1,1 | 180,23 | KXAC353 | 71B | 6 | 10000 | 5500 |
| 4,3 | 513 | 0,9 | 321,85 | KXAC353 | 71A | 4 | 10000 | 5500 |

0,37 kW

| n2 [rpm] | M2 [Nm] | fs | i | Gear reducer | Motor Size | Pole | Fr2 D-S-P [N] | Fr2 C [N] |
|----------|---------|-----|-------|--------------|------------|------|---------------|-----------|
| 131,8 | 26 | 3,6 | 10,62 | KXAC202 | 71B | 4 | - | 2037 |
| 121,4 | 27 | 3,4 | 22,97 | KXAC202 | 63C | 2 | - | 2083 |
| 118,1 | 28 | 3,3 | 7,62 | KXAC202 | 71C/80A | 6 | - | 2118 |
| 108,1 | 31 | 2,9 | 12,95 | KXAC202 | 71B | 4 | - | 2176 |

0,37 kW

| n2 [rpm] | M2 [Nm] | fs | i | Gear reducer | Motor Size | Pole | Fr2 D-S-P [N] | Fr2 C [N] |
|-------------|------------|-----|-------|-----------------|---------------|------|------------------|--------------|
| 99,6 | 33 | 2,8 | 28,00 | KXAC202 | 63C | 2 | - | 2225 |
| 96,8 | 35 | 2,6 | 14,46 | KXAC202 | 71B | 4 | - | 2257 |
| 89,2 | 36 | 2,5 | 31,27 | KXAC202 | 63C | 2 | - | 2308 |
| 85,0 | 39 | 3,0 | 16,47 | KXAC202 | 71B | 4 | - | 2357 |
| 84,7 | 40 | 2,4 | 10,62 | KXAC202 | 71C/80A | 6 | - | 2366 |
| 82,6 | 39 | 2,3 | 33,78 | KXAC202 | 63C | 2 | - | 2369 |
| 79,5 | 41 | 3,7 | 35,10 | KXAC252 | 63C | 2 | - | 2570 |
| 77,7 | 44 | 3,9 | 11,57 | KXAC252 | 71C | 6 | - | 2609 |
| 72,6 | 49 | 1,9 | 12,95 | KXAC202 | 71C/80A | 6 | - | 2473 |
| 66,5 | 49 | 3,1 | 41,97 | KXAC252 | 63C | 2 | - | 2728 |
| 64,3 | 55 | 3,1 | 14,63 | KXAC252 | 71C/80A | 6 | - | 2759 |
| 62,3 | 55 | 1,7 | 14,46 | KXAC202 | 71C/80A | 6 | - | 2622 |
| 61,0 | 55 | 2,1 | 22,97 | KXAC202 | 71B | 4 | - | 2634 |
| 59,2 | 55 | 1,6 | 47,12 | KXAC202 | 63C | 2 | - | 2647 |
| 57,1 | 62 | 2,0 | 16,47 | KXAC202 | 71C/80A | 6 | - | 2679 |
| 55,9 | 60 | 3,3 | 25,03 | KXAC252 | 71B | 4 | - | 2904 |
| 54,9 | 65 | 3,3 | 17,11 | KXAC252 | 71C/80A | 6 | - | 2907 |
| 54,3 | 60 | 2,8 | 51,34 | KXAC252 | 63C | 2 | - | 2918 |
| 50,0 | 67 | 1,8 | 28,00 | KXAC202 | 71B | 4 | - | 2813 |
| 48,6 | 67 | 1,3 | 57,43 | KXAC202 | 63C | 2 | - | 2827 |
| 45,9 | 77 | 2,7 | 20,46 | KXAC252 | 71C/80A | 6 | - | 3086 |
| 44,7 | 75 | 1,6 | 31,27 | KXAC202 | 71B | 4 | - | 2919 |
| 44,2 | 76 | 2,6 | 31,63 | KXAC252 | 71B | 4 | - | 3139 |
| 43,5 | 74 | 1,1 | 64,13 | KXAC202 | 63C | 2 | - | 2933 |
| 43,0 | 75 | 2,0 | 64,87 | KXAC252 | 63C | 2 | - | 3155 |
| 41,5 | 81 | 1,5 | 33,78 | KXAC202 | 71B | 4 | - | 2995 |
| 39,9 | 84 | 2,3 | 35,10 | KXAC252 | 71B | 4 | - | 3250 |
| 39,2 | 87 | 1,4 | 22,97 | KXAC202 | 71C/80A | 6 | - | 3060 |
| 37,9 | 81 | 2,0 | 73,70 | KXAC253 | 63C | 2 | - | 3292 |
| 37,6 | 94 | 2,2 | 25,03 | KXAC252 | 71C/80A | 6 | - | 3300 |
| 35,3 | 92 | 1,6 | 79,07 | KXAC252 | 63C | 2 | - | 3370 |
| 34,5 | 89 | 3,8 | 80,83 | KXAC353 | 63C | 2 | 8599 | 4300 |
| 33,4 | 101 | 2,0 | 41,97 | KXAC252 | 71B | 4 | - | 3450 |
| 32,1 | 106 | 1,2 | 28,00 | KXAC202 | 71C/80A | 6 | - | 3269 |
| 30,1 | 118 | 1,1 | 31,27 | KXAC202 | 71C/80A | 6 | - | 3317 |
| 29,9 | 103 | 1,6 | 93,33 | KXAC253 | 63C | 2 | - | 3561 |
| 29,7 | 113 | 1,0 | 47,12 | KXAC202 | 71B | 4 | - | 3347 |
| 28,7 | 107 | 3,2 | 97,29 | KXAC353 | 63C | 2 | 9147 | 4574 |
| 28,4 | 119 | 1,7 | 31,63 | KXAC252 | 71C/80A | 6 | - | 3647 |
| 28,4 | 124 | 3,5 | 33,04 | KXAC352 | 80A | 6 | 9172 | 4586 |
| 27,8 | 127 | 1,0 | 33,78 | KXAC202 | 71C/80A | 6 | - | 3404 |
| 27,3 | 123 | 1,8 | 51,34 | KXAC252 | 71B | 4 | - | 3689 |

0,37 kW

| n2 [rpm] | M2 [Nm] | fs | i | Gear reducer | Motor Size | Pole | Fr2 D-S-P [N] | Fr2 C [N] |
|-------------|------------|-----|--------|-----------------|---------------|------|------------------|--------------|
| 26,8 | 133 | 1,6 | 35,10 | KXAC252 | 71C/80A | 6 | - | 3694 |
| 26,5 | 120 | 3,8 | 52,83 | KXAC353 | 71B | 4 | 9436 | 4718 |
| 25,0 | 123 | 1,3 | 111,61 | KXAC253 | 63C | 2 | - | 3780 |
| 25,0 | 123 | 3,7 | 111,74 | KXBC353 | 63C | 2 | 12000 | 4906 |
| 23,2 | 132 | 2,5 | 120,34 | KXAC353 | 63C | 2 | 9819 | 4910 |
| 23,0 | 154 | 2,7 | 40,87 | KXAC352 | 80A | 6 | 9845 | 4923 |
| 22,5 | 137 | 3,3 | 124,20 | KXBC353 | 63C | 2 | 12000 | 5068 |
| 21,6 | 156 | 1,3 | 64,87 | KXAC252 | 71B | 4 | - | 3989 |
| 21,5 | 158 | 1,3 | 41,97 | KXAC252 | 71C/80A | 6 | - | 4000 |
| 21,4 | 149 | 3,0 | 65,35 | KXAC353 | 71B | 4 | 10000 | 5065 |
| 21,4 | 157 | 3,1 | 43,89 | KXAC353 | 71C/80A | 6 | 10000 | 5041 |
| 20,9 | 155 | 4,1 | 43,22 | KXBC353 | 71C | 6 | 12000 | 5214 |
| 20,6 | 172 | 2,1 | 45,64 | KXAC352 | 80A | 6 | 10000 | 5107 |
| 20,4 | 150 | 1,1 | 136,53 | KXAC253 | 63C | 2 | - | 4000 |
| 20,3 | 157 | 3,9 | 69,16 | KXBC353 | 71B | 4 | 12000 | 5248 |
| 20,1 | 153 | 2,9 | 139,15 | KXBC353 | 63C | 2 | 12000 | 5247 |
| 19,0 | 168 | 1,3 | 73,70 | KXAC253 | 71B | 4 | - | 4000 |
| 18,6 | 165 | 2,0 | 149,73 | KXAC353 | 63C | 2 | 10000 | 5280 |
| 18,5 | 182 | 3,4 | 50,81 | KXBC353 | 71C/80A | 6 | 12000 | 5367 |
| 18,1 | 176 | 3,4 | 77,48 | KXBC353 | 71B | 4 | 12000 | 5431 |
| 17,8 | 189 | 2,5 | 52,83 | KXAC353 | 71C/80A | 6 | 10000 | 5362 |
| 17,8 | 189 | 1,0 | 79,07 | KXAC252 | 71B | 4 | - | 4000 |
| 17,7 | 173 | 2,6 | 157,42 | KXBC353 | 63C | 2 | 12000 | 5448 |
| 17,5 | 194 | 1,2 | 51,34 | KXAC252 | 71C/80A | 6 | - | 4000 |
| 17,3 | 183 | 2,4 | 80,83 | KXAC353 | 71B | 4 | 10000 | 5437 |
| 17,1 | 207 | 1,8 | 54,94 | KXAC352 | 80A | 6 | 10000 | 5433 |
| 16,5 | 204 | 3,1 | 56,93 | KXBC353 | 71C/80A | 6 | 12000 | 5554 |
| 15,5 | 205 | 2,9 | 90,33 | KXBC353 | 71B | 4 | 12000 | 5687 |
| 15,5 | 198 | 1,7 | 180,23 | KXAC353 | 63C | 2 | 10000 | 5500 |
| 15,0 | 212 | 1,0 | 93,33 | KXAC253 | 71B | 4 | - | 4000 |
| 14,4 | 221 | 2,0 | 97,29 | KXAC353 | 71B | 4 | 10000 | 5500 |
| 13,8 | 234 | 2,0 | 65,35 | KXAC353 | 71C/80A | 6 | 10000 | 5500 |
| 13,8 | 256 | 1,4 | 67,96 | KXAC352 | 80A | 6 | 10000 | 5500 |
| 13,8 | 230 | 2,6 | 101,20 | KXBC353 | 71B | 4 | 12000 | 5883 |
| 13,6 | 247 | 2,6 | 69,16 | KXBC353 | 71C/80A | 6 | 12000 | 5885 |
| 13,6 | 247 | 3,6 | 69,14 | KXBC403 | 80A | 6 | 18000 | 9098 |
| 12,9 | 261 | 3,4 | 73,14 | KXBC403 | 80A | 6 | 18000 | 9257 |
| 12,8 | 263 | 0,9 | 73,70 | KXAC253 | 80A | 6 | - | 4000 |
| 12,5 | 245 | 1,4 | 222,93 | KXAC353 | 63C | 2 | 10000 | 5500 |
| 12,5 | 254 | 2,3 | 111,74 | KXBC353 | 71B | 4 | 12000 | 6057 |
| 12,1 | 277 | 2,3 | 77,48 | KXBC353 | 71C/80A | 6 | 12000 | 6085 |
| 11,7 | 273 | 1,6 | 120,34 | KXAC353 | 71B | 4 | 10000 | 5500 |

0,37 kW

| n2 [rpm] | M2 [Nm] | fs | i | Gear reducer | Motor Size | Pole | Fr2 D-S-P [N] | Fr2 C [N] |
|-------------|------------|-----|--------|-----------------|---------------|------|------------------|--------------|
| 11,6 | 288 | 3,1 | 80,76 | KXBC403 | 80A | 6 | 18000 | 9545 |
| 11,3 | 282 | 2,1 | 124,20 | KXBC353 | 71B | 4 | 12000 | 6247 |
| 11,1 | 288 | 1,6 | 80,83 | KXAC353 | 71C/80A | 6 | 10000 | 5500 |
| 10,7 | 286 | 1,2 | 260,20 | KXAC353 | 63C | 2 | 10000 | 5500 |
| 10,4 | 323 | 1,9 | 90,33 | KXBC353 | 71C/80A | 6 | 12000 | 6362 |
| 10,2 | 329 | 2,7 | 92,19 | KXBC403 | 80A | 6 | 18000 | 9940 |
| 10,0 | 316 | 1,9 | 139,15 | KXBC353 | 71B | 4 | 12000 | 6455 |
| 9,3 | 340 | 1,3 | 149,73 | KXAC353 | 71B | 4 | 10000 | 5500 |
| 9,3 | 361 | 1,7 | 101,20 | KXBC353 | 71C/80A | 6 | 12000 | 6573 |
| 9,3 | 359 | 2,5 | 100,57 | KXBC403 | 80A | 6 | 18000 | 10207 |
| 9,2 | 347 | 1,3 | 97,29 | KXAC353 | 71C/80A | 6 | 10000 | 5500 |
| 8,9 | 358 | 1,7 | 157,42 | KXBC353 | 71B | 4 | 12000 | 6686 |
| 8,9 | 376 | 2,4 | 105,29 | KXBC403 | 80A | 6 | 18000 | 10350 |
| 8,4 | 399 | 1,6 | 111,74 | KXBC353 | 71C/80A | 6 | 12000 | 6759 |
| 8,1 | 415 | 2,1 | 116,25 | KXBC403 | 80A | 6 | 18000 | 10664 |
| 7,8 | 409 | 1,1 | 180,23 | KXAC353 | 71B | 4 | 10000 | 5500 |
| 7,8 | 429 | 1,1 | 120,34 | KXAC353 | 71C/80A | 6 | 10000 | 5500 |
| 7,4 | 452 | 2,0 | 126,76 | KXBC403 | 80A | 6 | 18000 | 10945 |
| 7,3 | 443 | 1,4 | 124,20 | KXBC353 | 71C/80A | 6 | 12000 | 7090 |
| 6,5 | 517 | 1,7 | 144,77 | KXBC403 | 80A | 6 | 18000 | 11387 |
| 6,5 | 516 | 3,6 | 144,69 | KXBC503 | 80A | 6 | 22000 | 14062 |
| 6,4 | 497 | 1,2 | 139,15 | KXBC353 | 71C/80A | 6 | 12000 | 7313 |
| 6,3 | 535 | 0,9 | 149,73 | KXAC353 | 80A | 6 | 10000 | 5500 |
| 5,7 | 562 | 1,1 | 157,42 | KXBC353 | 71C/80A | 6 | 12000 | 7558 |
| 5,7 | 590 | 3,2 | 165,25 | KXBC503 | 80A | 6 | 22000 | 14653 |

0,55 kW

| n2 [rpm] | M2 [Nm] | fs | i | Gear reducer | Motor Size | Pole | Fr2 D-S-P [N] | Fr2 C [N] |
|-------------|------------|-----|-------|-----------------|---------------|------|------------------|--------------|
| 266,4 | 18 | 3,7 | 10,62 | KXAC202 | 71B | 2 | - | 1607 |
| 218,5 | 22 | 3,0 | 12,95 | KXAC202 | 71B | 2 | - | 1716 |
| 195,8 | 25 | 2,7 | 14,46 | KXAC202 | 71B | 2 | - | 1781 |
| 183,8 | 27 | 3,3 | 7,62 | KXAC202 | 71C/80A | 4 | - | 1827 |
| 171,8 | 28 | 3,2 | 16,47 | KXAC202 | 71B | 2 | - | 1860 |
| 131,8 | 38 | 2,4 | 10,62 | KXAC202 | 71C/80A | 4 | - | 2042 |
| 123,4 | 41 | 2,3 | 7,62 | KXAC202 | 80B | 6 | - | 2079 |
| 123,2 | 39 | 2,3 | 22,97 | KXAC202 | 71B | 2 | - | 2078 |
| 121,0 | 41 | 3,9 | 11,57 | KXAC252 | 71C/80A | 4 | - | 2251 |
| 118,8 | 43 | 3,9 | 7,91 | KXAC252 | 80B | 6 | - | 2256 |
| 113,1 | 43 | 3,5 | 25,03 | KXAC252 | 71B | 2 | - | 2291 |
| 109,6 | 46 | 2,0 | 12,95 | KXAC202 | 71C/80A | 4 | - | 2165 |
| 101,1 | 48 | 1,9 | 28,00 | KXAC202 | 71B | 2 | - | 2220 |

0,55 kW

| n2 [rpm] | M2 [Nm] | fs | i | Gear reducer | Motor Size | Pole | Fr2 D-S-P [N] | Fr2 C [N] |
|-------------|------------|-----|-------|-----------------|---------------|------|------------------|--------------|
| 99,4 | 50 | 3,3 | 9,46 | KXAC252 | 80B | 6 | - | 2395 |
| 98,2 | 52 | 1,7 | 14,46 | KXAC202 | 71C/80A | 4 | - | 2246 |
| 97,1 | 52 | 3,1 | 14,63 | KXAC252 | 71C/80A | 4 | - | 2416 |
| 90,5 | 54 | 1,7 | 31,27 | KXAC202 | 71B | 2 | - | 2303 |
| 89,4 | 54 | 2,8 | 31,63 | KXAC252 | 71B | 2 | - | 2477 |
| 88,4 | 57 | 1,6 | 10,62 | KXAC202 | 80B | 6 | - | 2323 |
| 86,2 | 59 | 2,0 | 16,47 | KXAC202 | 71C/80A | 4 | - | 2346 |
| 83,8 | 58 | 1,6 | 33,78 | KXAC202 | 71B | 2 | - | 2363 |
| 83,0 | 61 | 3,3 | 17,11 | KXAC252 | 71C/80A | 4 | - | 2546 |
| 81,3 | 62 | 2,7 | 11,57 | KXAC252 | 80B | 6 | - | 2561 |
| 80,7 | 60 | 2,5 | 35,10 | KXAC252 | 71B | 2 | - | 2564 |
| 72,6 | 69 | 1,3 | 12,95 | KXAC202 | 80B | 6 | - | 2481 |
| 68,5 | 73 | 2,8 | 20,46 | KXAC252 | 71C/80A | 4 | - | 2722 |
| 67,5 | 71 | 2,1 | 41,97 | KXAC252 | 71B | 2 | - | 2722 |
| 65,0 | 77 | 1,2 | 14,46 | KXAC202 | 80B | 6 | - | 2574 |
| 64,3 | 78 | 2,1 | 14,63 | KXAC252 | 80B | 6 | - | 2769 |
| 60,9 | 82 | 1,4 | 22,97 | KXAC202 | 71C/80A | 4 | - | 2640 |
| 60,0 | 80 | 1,1 | 47,12 | KXAC202 | 71B | 2 | - | 2640 |
| 57,1 | 88 | 1,4 | 16,47 | KXAC202 | 80B | 6 | - | 2689 |
| 55,9 | 89 | 2,2 | 25,03 | KXAC252 | 71C/80A | 4 | - | 2911 |
| 55,1 | 87 | 1,9 | 51,34 | KXAC252 | 71B | 2 | - | 2911 |
| 55,0 | 92 | 2,3 | 17,11 | KXAC252 | 80B | 6 | - | 2918 |
| 53,6 | 85 | 3,9 | 52,83 | KXAC353 | 71B | 2 | 7445 | 3723 |
| 50,7 | 100 | 1,2 | 28,00 | KXAC202 | 71C/80A | 4 | - | 2800 |
| 46,0 | 110 | 1,9 | 20,46 | KXAC252 | 80B | 6 | - | 3097 |
| 44,9 | 113 | 1,8 | 31,63 | KXAC252 | 71C/80A | 4 | - | 3124 |
| 44,8 | 112 | 1,1 | 31,27 | KXAC202 | 71C/80A | 4 | - | 2926 |
| 43,6 | 110 | 1,3 | 64,87 | KXAC252 | 71B | 2 | - | 3147 |
| 43,3 | 105 | 3,2 | 65,35 | KXAC353 | 71B | 2 | 7992 | 3996 |
| 43,0 | 118 | 3,6 | 33,04 | KXAC352 | 80A | 4 | 8031 | 4016 |
| 41,5 | 120 | 1,0 | 33,78 | KXAC202 | 71C/80A | 4 | - | 3002 |
| 40,9 | 124 | 1,0 | 22,97 | KXAC202 | 80B | 6 | - | 3004 |
| 39,9 | 125 | 1,6 | 35,10 | KXAC252 | 71C/80A | 4 | - | 3258 |
| 38,4 | 119 | 1,4 | 73,70 | KXAC253 | 71B | 2 | - | 3284 |
| 37,6 | 135 | 1,5 | 25,03 | KXAC252 | 80B | 6 | - | 3312 |
| 36,6 | 125 | 3,6 | 77,48 | KXBC353 | 71B | 2 | 12000 | 4315 |
| 35,8 | 135 | 1,1 | 79,07 | KXAC252 | 71B | 2 | - | 3362 |
| 35,0 | 130 | 2,6 | 80,83 | KXAC353 | 71B | 2 | 8579 | 4289 |
| 34,8 | 146 | 2,7 | 40,87 | KXAC352 | 80A | 4 | 8621 | 4311 |
| 34,3 | 147 | 3,0 | 27,45 | KXAC352 | 80B | 6 | 8653 | 4326 |
| 33,9 | 150 | 1,3 | 41,97 | KXAC252 | 71C/80A | 4 | - | 3433 |
| 32,4 | 148 | 3,0 | 43,89 | KXAC353 | 71C/80A | 4 | 8828 | 4414 |

0,55 kW

| n2 [rpm] | M2 [Nm] | fs | i | Gear reducer | Motor Size | Pole | Fr2 D-S-P [N] | Fr2 C [N] |
|-------------|------------|-----|--------|-----------------|---------------|------|------------------|--------------|
| 31,3 | 146 | 3,1 | 90,33 | KXBC353 | 71B | 2 | 12000 | 4521 |
| 31,1 | 163 | 2,2 | 45,64 | KXAC352 | 80A | 4 | 8944 | 4472 |
| 30,3 | 151 | 1,1 | 93,33 | KXAC253 | 71B | 2 | - | 3553 |
| 29,7 | 169 | 1,2 | 31,63 | KXAC252 | 80B | 6 | - | 3581 |
| 29,1 | 157 | 2,1 | 97,29 | KXAC353 | 71B | 2 | 9125 | 4563 |
| 28,4 | 177 | 2,5 | 33,04 | KXAC352 | 80B | 6 | 9204 | 4602 |
| 28,1 | 170 | 3,7 | 33,43 | KXBC353 | 80B | 6 | 12000 | 4666 |
| 28,0 | 163 | 2,7 | 101,20 | KXBC353 | 71B | 2 | 12000 | 4678 |
| 28,0 | 172 | 3,5 | 50,81 | KXBC353 | 71C/80A | 4 | 12000 | 4681 |
| 27,7 | 183 | 1,2 | 51,34 | KXAC252 | 71C/80A | 4 | - | 3672 |
| 26,8 | 188 | 1,1 | 35,10 | KXAC252 | 80B | 6 | - | 3707 |
| 26,5 | 178 | 2,6 | 52,83 | KXAC353 | 71C/80A | 4 | 9459 | 4730 |
| 25,9 | 196 | 1,8 | 54,94 | KXAC352 | 80A | 4 | 9515 | 4757 |
| 25,3 | 180 | 2,5 | 111,74 | KXBC353 | 71B | 2 | 12000 | 4819 |
| 25,0 | 192 | 3,1 | 56,93 | KXBC353 | 71C/80A | 4 | 12000 | 4842 |
| 24,4 | 196 | 3,2 | 38,58 | KXBC353 | 80B | 6 | 12000 | 4868 |
| 23,6 | 194 | 1,7 | 120,34 | KXAC353 | 71B | 2 | 9796 | 4898 |
| 23,0 | 219 | 1,9 | 40,87 | KXAC352 | 80B | 6 | 9880 | 4940 |
| 22,8 | 201 | 2,2 | 124,20 | KXBC353 | 71B | 2 | 12000 | 4972 |
| 22,4 | 225 | 0,9 | 41,97 | KXAC252 | 80B | 6 | - | 3935 |
| 22,3 | 215 | 3,9 | 63,74 | KXBC403 | 80A | 4 | 18000 | 7750 |
| 21,7 | 220 | 2,8 | 43,22 | KXBC353 | 80B | 6 | 12000 | 5033 |
| 21,7 | 221 | 2,0 | 65,35 | KXAC353 | 71C/80A | 4 | 10000 | 5041 |
| 21,4 | 223 | 2,1 | 43,89 | KXAC353 | 80B | 6 | 10000 | 5059 |
| 20,9 | 242 | 1,4 | 67,96 | KXAC352 | 80A | 4 | 10000 | 5107 |
| 20,7 | 231 | 3,8 | 45,44 | KXBC403 | 80B | 6 | 18000 | 7918 |
| 20,6 | 244 | 1,5 | 45,64 | KXAC352 | 80B | 6 | 10000 | 5126 |
| 20,5 | 234 | 2,6 | 69,16 | KXBC353 | 71C/80A | 4 | 12000 | 5126 |
| 20,5 | 233 | 3,6 | 69,14 | KXBC403 | 80A | 4 | 18000 | 7947 |
| 20,3 | 224 | 2,0 | 139,15 | KXBC353 | 71B | 2 | 12000 | 5141 |
| 19,4 | 247 | 3,4 | 73,14 | KXBC403 | 80A | 4 | 18000 | 8085 |
| 18,9 | 241 | 1,4 | 149,73 | KXAC353 | 71B | 2 | 10000 | 5268 |
| 18,5 | 258 | 2,4 | 50,81 | KXBC353 | 80B | 6 | 12000 | 5274 |
| 18,4 | 260 | 3,4 | 51,19 | KXBC403 | 80B | 6 | 18000 | 8212 |
| 18,4 | 262 | 2,3 | 77,48 | KXBC353 | 71C/80A | 4 | 12000 | 5297 |
| 18,0 | 254 | 1,8 | 157,42 | KXBC353 | 71B | 2 | 12000 | 5328 |
| 17,8 | 268 | 1,7 | 52,83 | KXAC353 | 80B | 6 | 10000 | 5382 |
| 17,5 | 273 | 3,1 | 80,76 | KXBC403 | 80A | 4 | 18000 | 8333 |
| 17,4 | 273 | 1,6 | 80,83 | KXAC353 | 71C/80A | 4 | 10000 | 5450 |
| 17,1 | 295 | 1,2 | 54,94 | KXAC352 | 80B | 6 | 10000 | 5452 |
| 16,9 | 282 | 3,1 | 55,52 | KXBC403 | 80B | 6 | 18000 | 8418 |
| 16,5 | 289 | 2,2 | 56,93 | KXBC353 | 80B | 6 | 12000 | 5448 |

0,55 kW

| n2 [rpm] | M2 [Nm] | fs | i | Gear reducer | Motor Size | Pole | Fr2 D-S-P [N] | Fr2 C [N] |
|-------------|------------|-----|--------|-----------------|---------------|------|------------------|--------------|
| 15,7 | 291 | 1,2 | 180,23 | KXAC353 | 71B | 2 | 10000 | 5500 |
| 15,7 | 305 | 2,9 | 59,96 | KXBC403 | 80B | 6 | 18000 | 8616 |
| 15,5 | 305 | 1,9 | 90,33 | KXBC353 | 71C/80A | 4 | 12000 | 5568 |
| 15,4 | 311 | 2,7 | 92,19 | KXBC403 | 80A | 4 | 18000 | 8675 |
| 14,8 | 324 | 2,7 | 63,74 | KXBC403 | 80B | 6 | 18000 | 8777 |
| 14,6 | 329 | 1,4 | 97,29 | KXAC353 | 71C/80A | 4 | 10000 | 5500 |
| 14,4 | 331 | 1,4 | 65,35 | KXAC353 | 80B | 6 | 10000 | 5500 |
| 14,1 | 340 | 2,5 | 100,57 | KXBC403 | 80A | 4 | 18000 | 8905 |
| 14,0 | 342 | 1,8 | 101,20 | KXBC353 | 71C/80A | 4 | 12000 | 5713 |
| 13,8 | 364 | 1,0 | 67,96 | KXAC352 | 80B | 6 | 10000 | 5500 |
| 13,6 | 351 | 2,5 | 69,14 | KXBC403 | 80B | 6 | 18000 | 8994 |
| 13,5 | 351 | 1,8 | 69,16 | KXBC353 | 80B | 6 | 12000 | 5754 |
| 13,5 | 356 | 2,4 | 105,29 | KXBC403 | 80A | 4 | 18000 | 9029 |
| 12,8 | 372 | 2,4 | 73,14 | KXBC403 | 80B | 6 | 18000 | 9146 |
| 12,6 | 378 | 1,6 | 111,74 | KXBC353 | 71C/80A | 4 | 12000 | 5907 |
| 12,2 | 393 | 2,2 | 116,25 | KXBC403 | 80A | 4 | 18000 | 9300 |
| 12,1 | 394 | 1,6 | 77,48 | KXBC353 | 80B | 6 | 12000 | 5936 |
| 11,6 | 406 | 1,1 | 120,34 | KXAC353 | 71C/80A | 4 | 10000 | 5500 |
| 11,6 | 411 | 1,1 | 80,83 | KXAC353 | 80B | 6 | 10000 | 5500 |
| 11,6 | 411 | 2,2 | 80,76 | KXBC403 | 80B | 6 | 18000 | 9419 |
| 11,2 | 420 | 1,4 | 124,20 | KXBC353 | 71C/80A | 4 | 12000 | 6079 |
| 11,2 | 428 | 2,0 | 126,76 | KXBC403 | 80A | 4 | 18000 | 9541 |
| 10,4 | 459 | 1,4 | 90,33 | KXBC353 | 80B | 6 | 12000 | 6186 |
| 10,2 | 470 | 1,3 | 139,15 | KXBC353 | 71C/80A | 4 | 12000 | 6230 |
| 10,2 | 468 | 1,9 | 92,19 | KXBC403 | 80B | 6 | 18000 | 9793 |
| 10,2 | 469 | 4,0 | 92,31 | KXBC503 | 80B | 6 | 22000 | 12129 |
| 9,8 | 489 | 1,7 | 144,77 | KXBC403 | 80A | 4 | 18000 | 9920 |
| 9,8 | 489 | 3,7 | 144,69 | KXBC503 | 80A | 4 | 22000 | 12285 |
| 9,7 | 494 | 0,9 | 97,29 | KXAC353 | 80B | 6 | 10000 | 5500 |
| 9,3 | 515 | 1,2 | 101,20 | KXBC353 | 80B | 6 | 12000 | 6373 |
| 9,3 | 511 | 1,7 | 100,57 | KXBC403 | 80B | 6 | 18000 | 10045 |
| 9,0 | 532 | 1,1 | 157,42 | KXBC353 | 71C/80A | 4 | 12000 | 6435 |
| 8,9 | 535 | 1,7 | 105,29 | KXBC403 | 80B | 6 | 18000 | 10179 |
| 8,9 | 535 | 3,5 | 105,44 | KXBC503 | 80B | 6 | 22000 | 12635 |
| 8,6 | 558 | 3,2 | 165,25 | KXBC503 | 80A | 4 | 22000 | 12796 |
| 8,4 | 568 | 1,1 | 111,74 | KXBC353 | 80B | 6 | 12000 | 6538 |
| 8,2 | 583 | 3,2 | 114,80 | KXBC503 | 80B | 6 | 22000 | 12968 |
| 8,1 | 591 | 1,5 | 116,25 | KXBC403 | 80B | 6 | 18000 | 10473 |
| 7,8 | 611 | 3,1 | 120,42 | KXBC503 | 80B | 6 | 22000 | 13158 |
| 7,6 | 631 | 1,0 | 124,20 | KXBC353 | 80B | 6 | 12000 | 6714 |
| 7,4 | 644 | 1,4 | 126,76 | KXBC403 | 80B | 6 | 18000 | 10734 |
| 7,1 | 675 | 2,8 | 132,87 | KXBC503 | 80B | 6 | 22000 | 13557 |

0,55 kW

| n2 [rpm] | M2 [Nm] | fs | i | Gear reducer | Size | Motor Pole | Fr2 D-S-P [N] | Fr2 C [N] |
|----------|---------|-----|--------|--------------|------|------------|---------------|-----------|
| 6,5 | 735 | 1,2 | 144,77 | KXBC403 | 80B | 6 | 18000 | 11142 |
| 6,5 | 735 | 2,5 | 144,69 | KXBC503 | 80B | 6 | 22000 | 13909 |
| 5,7 | 839 | 2,2 | 165,25 | KXBC503 | 80B | 6 | 22000 | 14473 |

0,75 kW

| n2 [rpm] | M2 [Nm] | fs | i | Gear reducer | Size | Motor Pole | Fr2 D-S-P [N] | Fr2 C [N] |
|----------|---------|-----|-------|--------------|------|------------|---------------|-----------|
| 375,5 | 18 | 3,8 | 7,62 | KXAC202 | 80A | 2 | - | 1433 |
| 269,2 | 25 | 2,7 | 10,62 | KXAC202 | 80A | 2 | - | 1601 |
| 220,9 | 30 | 2,3 | 12,95 | KXAC202 | 80A | 2 | - | 1706 |
| 197,9 | 33 | 2,0 | 14,46 | KXAC202 | 80A | 2 | - | 1781 |
| 195,5 | 34 | 3,6 | 14,63 | KXAC252 | 80A | 2 | - | 1904 |
| 189,1 | 36 | 2,5 | 7,62 | KXAC202 | 80B | 4 | - | 1797 |
| 173,6 | 38 | 2,4 | 16,47 | KXAC202 | 80A | 2 | - | 1849 |
| 167,2 | 40 | 3,8 | 17,11 | KXAC252 | 80A | 2 | - | 2011 |
| 152,2 | 45 | 3,6 | 9,46 | KXAC252 | 80B | 4 | - | 2070 |
| 139,7 | 47 | 3,2 | 20,46 | KXAC252 | 80A | 2 | - | 2142 |
| 135,5 | 51 | 1,8 | 10,62 | KXAC202 | 80B | 4 | - | 2013 |
| 124,5 | 53 | 1,7 | 22,97 | KXAC202 | 80A | 2 | - | 2078 |
| 124,4 | 55 | 2,9 | 11,57 | KXAC252 | 80B | 4 | - | 2214 |
| 118,8 | 58 | 2,9 | 7,91 | KXAC252 | 90S | 6 | - | 2248 |
| 114,3 | 58 | 2,6 | 25,03 | KXAC252 | 80A | 2 | - | 2283 |
| 111,2 | 62 | 1,5 | 12,95 | KXAC202 | 80B | 4 | - | 2150 |
| 102,1 | 65 | 1,4 | 28,00 | KXAC202 | 80A | 2 | - | 2212 |
| 99,6 | 69 | 1,3 | 14,46 | KXAC202 | 80B | 4 | - | 2231 |
| 99,3 | 69 | 2,5 | 9,46 | KXAC252 | 90S | 6 | - | 2403 |
| 98,5 | 70 | 2,3 | 14,63 | KXAC252 | 80B | 4 | - | 2399 |
| 91,5 | 72 | 1,3 | 31,27 | KXAC202 | 80A | 2 | - | 2289 |
| 90,4 | 73 | 2,1 | 31,63 | KXAC252 | 80A | 2 | - | 2462 |
| 87,4 | 78 | 1,5 | 16,47 | KXAC202 | 80B | 4 | - | 2324 |
| 84,7 | 78 | 1,2 | 33,78 | KXAC202 | 80A | 2 | - | 2349 |
| 84,2 | 81 | 2,5 | 17,11 | KXAC252 | 80B | 4 | - | 2522 |
| 81,5 | 81 | 1,9 | 35,10 | KXAC252 | 80A | 2 | - | 2549 |
| 81,2 | 85 | 2,0 | 11,57 | KXAC252 | 90S | 6 | - | 2552 |
| 75,5 | 91 | 4,1 | 12,44 | KXAC352 | 90S | 6 | 6671 | 3335 |
| 70,4 | 97 | 2,1 | 20,46 | KXAC252 | 80B | 4 | - | 2677 |
| 70,0 | 94 | 3,2 | 40,87 | KXAC352 | 80A | 2 | 6834 | 3417 |
| 68,2 | 96 | 1,5 | 41,97 | KXAC252 | 80A | 2 | - | 2712 |
| 65,2 | 95 | 3,5 | 43,89 | KXAC353 | 80A | 2 | 6974 | 3487 |
| 64,3 | 107 | 1,6 | 14,63 | KXAC252 | 90S | 6 | - | 2759 |
| 63,0 | 109 | 4,1 | 14,91 | KXAC352 | 90S | 6 | 7085 | 3542 |
| 62,7 | 109 | 1,1 | 22,97 | KXAC202 | 80B | 4 | - | 2597 |

0,75 kW

| n2 [rpm] | M2 [Nm] | fs | i | Gear reducer | Size | Motor Pole | Fr2 D-S-P [N] | Fr2 C [N] |
|-------------|------------|-----|-------|-----------------|------|---------------|------------------|--------------|
| 62,6 | 105 | 2,5 | 45,64 | KXAC352 | 80A | 2 | 7066 | 3533 |
| 57,5 | 119 | 1,6 | 25,03 | KXAC252 | 80B | 4 | - | 2890 |
| 55,7 | 118 | 1,4 | 51,34 | KXAC252 | 80A | 2 | - | 2901 |
| 55,0 | 125 | 1,6 | 17,11 | KXAC252 | 90S | 6 | - | 2928 |
| 54,2 | 115 | 2,9 | 52,83 | KXAC353 | 80A | 2 | 7419 | 3709 |
| 52,5 | 130 | 3,2 | 27,45 | KXAC352 | 80B | 4 | 7497 | 3748 |
| 52,4 | 131 | 3,4 | 17,94 | KXAC352 | 90S | 6 | 7537 | 3768 |
| 52,1 | 126 | 2,1 | 54,94 | KXAC352 | 80A | 2 | 7516 | 3758 |
| 51,5 | 132 | 0,9 | 28,00 | KXAC202 | 80B | 4 | - | 2780 |
| 50,3 | 124 | 3,6 | 56,93 | KXBC353 | 80A | 2 | 12000 | 3869 |
| 45,9 | 150 | 1,4 | 20,46 | KXAC252 | 90S | 6 | - | 3086 |
| 45,5 | 150 | 1,3 | 31,63 | KXAC252 | 80B | 4 | - | 3102 |
| 44,1 | 149 | 1,0 | 64,87 | KXAC252 | 80A | 2 | - | 3129 |
| 43,8 | 142 | 2,3 | 65,35 | KXAC353 | 80A | 2 | 7992 | 3996 |
| 43,6 | 157 | 2,7 | 33,04 | KXAC352 | 80B | 4 | 8031 | 4016 |
| 43,1 | 150 | 4,0 | 33,43 | KXBC353 | 80B | 4 | 12000 | 4046 |
| 42,4 | 162 | 2,8 | 22,19 | KXAC352 | 90S | 6 | 8090 | 4045 |
| 42,0 | 156 | 1,7 | 67,96 | KXAC352 | 80A | 2 | 8097 | 4048 |
| 42,0 | 155 | 4,1 | 22,39 | KXBC353 | 90S | 6 | 12000 | 4093 |
| 41,3 | 150 | 3,0 | 69,16 | KXBC353 | 80A | 2 | 12000 | 4115 |
| 41,0 | 166 | 1,2 | 35,10 | KXAC252 | 80B | 4 | - | 3235 |
| 39,1 | 159 | 4,0 | 73,14 | KXBC403 | 80A | 2 | 18000 | 6464 |
| 38,8 | 160 | 1,0 | 73,70 | KXAC253 | 80A | 2 | - | 3284 |
| 37,6 | 183 | 1,1 | 25,03 | KXAC252 | 90S | 6 | - | 3324 |
| 37,3 | 173 | 3,5 | 38,58 | KXBC353 | 80B | 4 | 12000 | 4247 |
| 36,9 | 169 | 2,7 | 77,48 | KXBC353 | 80A | 2 | 12000 | 4234 |
| 36,1 | 181 | 3,5 | 26,09 | KXBC353 | 90S | 6 | 12000 | 4281 |
| 35,4 | 176 | 1,9 | 80,83 | KXAC353 | 80A | 2 | 8528 | 4264 |
| 35,4 | 176 | 3,6 | 80,76 | KXBC403 | 80A | 2 | 18000 | 6629 |
| 35,3 | 193 | 2,1 | 40,87 | KXAC352 | 80B | 4 | 8621 | 4311 |
| 34,3 | 199 | 1,0 | 41,97 | KXAC252 | 80B | 4 | - | 3409 |
| 34,2 | 201 | 2,2 | 27,45 | KXAC352 | 90S | 6 | 8622 | 4311 |
| 33,5 | 194 | 3,2 | 28,03 | KXBC353 | 90S | 6 | 12000 | 4344 |
| 33,3 | 194 | 3,1 | 43,22 | KXBC353 | 80B | 4 | 12000 | 4364 |
| 32,8 | 197 | 2,3 | 43,89 | KXAC353 | 80B | 4 | 8766 | 4383 |
| 31,6 | 197 | 2,3 | 90,33 | KXBC353 | 80A | 2 | 12000 | 4438 |
| 31,5 | 216 | 1,6 | 45,64 | KXAC352 | 80B | 4 | 8861 | 4430 |
| 31,0 | 201 | 3,2 | 92,19 | KXBC403 | 80A | 2 | 18000 | 6906 |
| 29,7 | 231 | 0,9 | 31,63 | KXAC252 | 90S | 6 | - | 3568 |
| 29,5 | 220 | 4,1 | 31,80 | KXBC403 | 90S | 6 | 18000 | 7043 |
| 29,4 | 212 | 1,6 | 97,29 | KXAC353 | 80A | 2 | 9072 | 4536 |
| 28,4 | 242 | 1,8 | 33,04 | KXAC352 | 90S | 6 | 9172 | 4586 |

0,75 kW

| n2 [rpm] | M2 [Nm] | fs | i | Gear reducer | Motor Size | Pole | Fr2 D-S-P [N] | Fr2 C [N] |
|-------------|------------|-----|--------|-----------------|---------------|------|------------------|--------------|
| 28,4 | 219 | 3,0 | 100,57 | KXBC403 | 80A | 2 | 18000 | 7131 |
| 28,4 | 228 | 2,7 | 50,81 | KXBC353 | 80B | 4 | 12000 | 4601 |
| 28,3 | 220 | 2,0 | 101,20 | KXBC353 | 80A | 2 | 12000 | 4587 |
| 28,2 | 229 | 3,7 | 51,19 | KXBC403 | 80B | 4 | 18000 | 7168 |
| 28,1 | 232 | 2,7 | 33,43 | KXBC353 | 90S | 6 | 12000 | 4571 |
| 28,0 | 243 | 0,9 | 51,34 | KXAC252 | 80B | 4 | - | 3637 |
| 27,3 | 237 | 1,9 | 52,83 | KXAC353 | 80B | 4 | 9304 | 4652 |
| 27,3 | 239 | 3,7 | 34,49 | KXBC403 | 90S | 6 | 18000 | 7173 |
| 27,2 | 229 | 2,8 | 105,29 | KXBC403 | 80A | 2 | 18000 | 7208 |
| 26,2 | 260 | 1,3 | 54,94 | KXAC352 | 80B | 4 | 9426 | 4713 |
| 25,9 | 249 | 3,4 | 55,52 | KXBC403 | 80B | 4 | 18000 | 7285 |
| 25,6 | 243 | 1,8 | 111,74 | KXBC353 | 80A | 2 | 12000 | 4719 |
| 25,3 | 255 | 2,3 | 56,93 | KXBC353 | 80B | 4 | 12000 | 4723 |
| 24,6 | 253 | 2,5 | 116,25 | KXBC403 | 80A | 2 | 18000 | 7429 |
| 24,3 | 267 | 2,3 | 38,58 | KXBC353 | 90S | 6 | 12000 | 4790 |
| 24,1 | 268 | 3,2 | 59,96 | KXBC403 | 80B | 4 | 18000 | 7520 |
| 23,8 | 262 | 1,3 | 120,34 | KXAC353 | 80A | 2 | 9761 | 4881 |
| 23,7 | 274 | 3,3 | 39,60 | KXBC403 | 90S | 6 | 18000 | 7528 |
| 23,0 | 270 | 1,6 | 124,20 | KXBC353 | 80A | 2 | 12000 | 4877 |
| 23,0 | 299 | 1,4 | 40,87 | KXAC352 | 90S | 6 | 9845 | 4923 |
| 22,6 | 276 | 2,3 | 126,76 | KXBC403 | 80A | 2 | 18000 | 7650 |
| 22,6 | 285 | 3,0 | 63,74 | KXBC403 | 80B | 4 | 18000 | 7611 |
| 22,0 | 293 | 1,5 | 65,35 | KXAC353 | 80B | 4 | 9987 | 4993 |
| 21,9 | 298 | 3,0 | 42,95 | KXBC403 | 90S | 6 | 18000 | 7664 |
| 21,8 | 299 | 2,1 | 43,22 | KXBC353 | 90S | 6 | 12000 | 4944 |
| 21,5 | 304 | 1,5 | 43,89 | KXAC353 | 90S | 6 | 10000 | 5077 |
| 21,2 | 321 | 1,1 | 67,96 | KXAC352 | 80B | 4 | 10000 | 5059 |
| 20,8 | 310 | 1,9 | 69,16 | KXBC353 | 80B | 4 | 12000 | 4978 |
| 20,8 | 310 | 2,7 | 69,14 | KXBC403 | 80B | 4 | 18000 | 7783 |
| 20,6 | 315 | 2,9 | 45,44 | KXBC403 | 90S | 6 | 18000 | 7845 |
| 20,6 | 334 | 1,1 | 45,64 | KXAC352 | 90S | 6 | 10000 | 5107 |
| 20,6 | 303 | 1,5 | 139,15 | KXBC353 | 80A | 2 | 12000 | 5010 |
| 19,8 | 315 | 2,0 | 144,77 | KXBC403 | 80A | 2 | 18000 | 7919 |
| 19,7 | 328 | 2,6 | 73,14 | KXBC403 | 80B | 4 | 18000 | 7931 |
| 19,1 | 326 | 1,0 | 149,73 | KXAC353 | 80A | 2 | 10000 | 5237 |
| 18,6 | 347 | 1,7 | 77,48 | KXBC353 | 80B | 4 | 12000 | 5175 |
| 18,5 | 352 | 1,8 | 50,81 | KXBC353 | 90S | 6 | 12000 | 5167 |
| 18,4 | 355 | 2,5 | 51,19 | KXBC403 | 90S | 6 | 18000 | 8076 |
| 18,1 | 343 | 1,3 | 157,42 | KXBC353 | 80A | 2 | 12000 | 5193 |
| 17,8 | 362 | 1,2 | 80,83 | KXAC353 | 80B | 4 | 10000 | 5360 |
| 17,8 | 362 | 2,4 | 80,76 | KXBC403 | 80B | 4 | 18000 | 8151 |
| 17,8 | 366 | 1,3 | 52,83 | KXAC353 | 90S | 6 | 10000 | 5401 |

0,75 kW

| n2 [rpm] | M2 [Nm] | fs | i | Gear reducer | Size | Motor Pole | Fr2 D-S-P [N] | Fr2 C [N] |
|-------------|------------|-----|--------|-----------------|------|---------------|------------------|--------------|
| 17,3 | 360 | 3,8 | 165,25 | KXBC503 | 80A | 2 | 22000 | 10232 |
| 17,1 | 402 | 0,9 | 54,94 | KXAC352 | 90S | 6 | 10000 | 5433 |
| 16,9 | 385 | 2,3 | 55,52 | KXBC403 | 90S | 6 | 18000 | 8272 |
| 16,6 | 394 | 1,6 | 56,93 | KXBC353 | 90S | 6 | 12000 | 5327 |
| 15,9 | 404 | 1,4 | 90,33 | KXBC353 | 80B | 4 | 12000 | 5391 |
| 15,7 | 415 | 2,1 | 59,96 | KXBC403 | 90S | 6 | 18000 | 8460 |
| 15,6 | 413 | 2,0 | 92,19 | KXBC403 | 80B | 4 | 18000 | 8491 |
| 14,8 | 436 | 1,0 | 97,29 | KXAC353 | 80B | 4 | 10000 | 5500 |
| 14,7 | 441 | 2,0 | 63,74 | KXBC403 | 90S | 6 | 18000 | 8666 |
| 14,5 | 449 | 4,0 | 64,89 | KXBC503 | 90S | 6 | 22000 | 10806 |
| 14,4 | 453 | 1,0 | 65,35 | KXAC353 | 90S | 6 | 10000 | 5500 |
| 14,3 | 450 | 1,9 | 100,57 | KXBC403 | 80B | 4 | 18000 | 8763 |
| 14,2 | 453 | 1,3 | 101,20 | KXBC353 | 80B | 4 | 12000 | 5553 |
| 13,7 | 475 | 3,8 | 68,58 | KXBC503 | 90S | 6 | 22000 | 10919 |
| 13,7 | 472 | 1,8 | 105,29 | KXBC403 | 80B | 4 | 18000 | 8825 |
| 13,7 | 473 | 3,8 | 105,44 | KXBC503 | 80B | 4 | 22000 | 11030 |
| 13,6 | 479 | 1,3 | 69,16 | KXBC353 | 90S | 6 | 12000 | 5572 |
| 13,6 | 479 | 1,9 | 69,14 | KXBC403 | 90S | 6 | 18000 | 8817 |
| 12,9 | 507 | 1,8 | 73,14 | KXBC403 | 90S | 6 | 18000 | 8961 |
| 12,9 | 504 | 3,6 | 72,76 | KXBC503 | 90S | 6 | 22000 | 11191 |
| 12,9 | 501 | 1,2 | 111,74 | KXBC353 | 80B | 4 | 12000 | 5695 |
| 12,5 | 514 | 3,5 | 114,80 | KXBC503 | 80B | 4 | 22000 | 11319 |
| 12,4 | 520 | 1,6 | 116,25 | KXBC403 | 80B | 4 | 18000 | 9080 |
| 12,1 | 537 | 1,2 | 77,48 | KXBC353 | 90S | 6 | 12000 | 5734 |
| 12,0 | 539 | 3,3 | 120,42 | KXBC503 | 80B | 4 | 22000 | 11411 |
| 12,0 | 547 | 3,3 | 78,92 | KXBC503 | 90S | 6 | 22000 | 11471 |
| 11,6 | 560 | 1,6 | 80,76 | KXBC403 | 90S | 6 | 18000 | 9273 |
| 11,6 | 556 | 1,1 | 124,20 | KXBC353 | 80B | 4 | 12000 | 5816 |
| 11,3 | 568 | 1,5 | 126,76 | KXBC403 | 80B | 4 | 18000 | 9361 |
| 11,2 | 579 | 3,3 | 83,66 | KXBC503 | 90S | 6 | 22000 | 11675 |
| 10,8 | 595 | 3,0 | 132,87 | KXBC503 | 80B | 4 | 22000 | 11732 |
| 10,4 | 623 | 0,9 | 139,15 | KXBC353 | 80B | 4 | 12000 | 6010 |
| 10,2 | 639 | 3,0 | 92,31 | KXBC503 | 90S | 6 | 22000 | 12026 |
| 10,2 | 639 | 1,4 | 92,19 | KXBC403 | 90S | 6 | 18000 | 9566 |
| 10,0 | 648 | 2,8 | 144,69 | KXBC503 | 80B | 4 | 22000 | 12037 |
| 10,0 | 648 | 1,3 | 144,77 | KXBC403 | 80B | 4 | 18000 | 9715 |
| 9,3 | 697 | 1,3 | 100,57 | KXBC403 | 90S | 6 | 18000 | 9799 |
| 8,9 | 729 | 1,2 | 105,29 | KXBC403 | 90S | 6 | 18000 | 9981 |
| 8,9 | 730 | 2,6 | 105,44 | KXBC503 | 90S | 6 | 22000 | 12514 |
| 8,7 | 740 | 2,4 | 165,25 | KXBC503 | 80B | 4 | 22000 | 12524 |
| 8,2 | 795 | 2,4 | 114,80 | KXBC503 | 90S | 6 | 22000 | 12751 |
| 8,1 | 806 | 1,1 | 116,25 | KXBC403 | 90S | 6 | 18000 | 10252 |

0,75 kW

| n2 [rpm] | M2 [Nm] | fs | i | Gear reducer | Size | Motor Pole | Fr2 D-S-P [N] | Fr2 C [N] |
|-------------|------------|-----|--------|-----------------|------|---------------|------------------|--------------|
| 7,8 | 834 | 2,3 | 120,42 | KXBC503 | 90S | 6 | 22000 | 12933 |
| 7,4 | 878 | 1,0 | 126,76 | KXBC403 | 90S | 6 | 18000 | 10431 |
| 7,3 | 900 | 4,1 | 129,96 | KXBC603 | 90S | 6 | 30000 | 18750 |
| 7,1 | 920 | 2,1 | 132,87 | KXBC503 | 90S | 6 | 22000 | 13311 |
| 6,5 | 1002 | 1,8 | 144,69 | KXBC503 | 90S | 6 | 22000 | 13730 |
| 6,5 | 1000 | 3,7 | 144,43 | KXBC603 | 90S | 6 | 30000 | 19323 |
| 5,9 | 1110 | 3,3 | 160,23 | KXBC603 | 90S | 6 | 30000 | 19777 |
| 5,7 | 1145 | 1,7 | 165,25 | KXBC503 | 90S | 6 | 22000 | 14177 |
| 5,2 | 1250 | 2,9 | 180,40 | KXBC603 | 90S | 6 | 30000 | 20000 |

1,10 kW

| n2 [rpm] | M2 [Nm] | fs | i | Gear reducer | Size | Motor Pole | Fr2 D-S-P [N] | Fr2 C [N] |
|-------------|------------|-----|-------|-----------------|-------|---------------|------------------|--------------|
| 375,5 | 26 | 2,6 | 7,62 | KXAC202 | 80B | 2 | - | 1430 |
| 302,3 | 32 | 3,8 | 9,46 | KXAC252 | 80B | 2 | - | 1647 |
| 269,2 | 36 | 1,9 | 10,62 | KXAC202 | 80B | 2 | - | 1598 |
| 247,1 | 39 | 3,1 | 11,57 | KXAC252 | 80B | 2 | - | 1761 |
| 220,9 | 44 | 1,5 | 12,95 | KXAC202 | 80B | 2 | - | 1706 |
| 197,8 | 49 | 1,4 | 14,46 | KXAC202 | 80B | 2 | - | 1770 |
| 195,6 | 50 | 2,4 | 14,63 | KXAC252 | 80B | 2 | - | 1909 |
| 180,7 | 55 | 2,9 | 7,91 | KXAC252 | 90S | 4 | - | 1955 |
| 173,6 | 56 | 1,6 | 16,47 | KXAC202 | 80B | 2 | - | 1853 |
| 167,1 | 58 | 2,6 | 17,11 | KXAC252 | 80B | 2 | - | 2006 |
| 151,1 | 66 | 2,4 | 9,46 | KXAC252 | 90S | 4 | - | 2075 |
| 139,8 | 69 | 2,2 | 20,46 | KXAC252 | 80B | 2 | - | 2137 |
| 124,5 | 77 | 1,2 | 22,97 | KXAC202 | 80B | 2 | - | 2071 |
| 123,6 | 81 | 1,9 | 11,57 | KXAC252 | 90S | 4 | - | 2235 |
| 114,9 | 87 | 4,0 | 12,44 | KXAC352 | 90S | 4 | 5800 | 2900 |
| 114,3 | 84 | 1,8 | 25,03 | KXAC252 | 80B | 2 | - | 2283 |
| 104,2 | 92 | 3,4 | 27,45 | KXAC352 | 80B | 2 | 5964 | 2982 |
| 97,8 | 102 | 1,6 | 14,63 | KXAC252 | 90S | 4 | - | 2399 |
| 95,9 | 104 | 4,1 | 14,91 | KXAC352 | 90S | 4 | 6160 | 3080 |
| 94,4 | 107 | 3,4 | 10,06 | KXAC352 | 100LR | 6 | 6148 | 3074 |
| 90,4 | 107 | 1,4 | 31,63 | KXAC252 | 80B | 2 | - | 2462 |
| 86,6 | 111 | 2,8 | 33,04 | KXAC352 | 80B | 2 | 6344 | 3172 |
| 83,6 | 119 | 1,6 | 17,11 | KXAC252 | 90S | 4 | - | 2546 |
| 81,5 | 118 | 1,3 | 35,10 | KXAC252 | 80B | 2 | - | 2555 |
| 79,7 | 125 | 3,4 | 17,94 | KXAC352 | 90S | 4 | 6552 | 3276 |
| 76,3 | 132 | 2,8 | 12,44 | KXAC352 | 100LR | 6 | 6600 | 3300 |
| 74,1 | 123 | 3,6 | 38,58 | KXBC353 | 80B | 2 | 11847 | 3385 |
| 70,0 | 138 | 2,2 | 40,87 | KXAC352 | 80B | 2 | 6810 | 3405 |
| 69,9 | 143 | 1,4 | 20,46 | KXAC252 | 90S | 4 | - | 2683 |

1,10 kW

| n2 [rpm] | M2 [Nm] | fs | i | Gear reducer | Motor Size | Pole | Fr2 D-S-P [N] | Fr2 C [N] |
|-------------|------------|-----|-------|-----------------|---------------|------|------------------|--------------|
| 68,1 | 142 | 1,1 | 41,97 | KXAC252 | 80B | 2 | - | 2715 |
| 66,2 | 138 | 3,2 | 43,22 | KXBC353 | 80B | 2 | 12000 | 3501 |
| 65,2 | 140 | 2,4 | 43,89 | KXAC353 | 80B | 2 | 6974 | 3487 |
| 64,4 | 155 | 2,7 | 22,19 | KXAC352 | 90S | 4 | 6984 | 3492 |
| 63,8 | 148 | 4,1 | 22,39 | KXBC353 | 90S | 4 | 12000 | 3546 |
| 63,7 | 158 | 2,8 | 14,91 | KXAC352 | 100LR | 6 | 7009 | 3505 |
| 62,7 | 154 | 1,7 | 45,64 | KXAC352 | 80B | 2 | 7049 | 3525 |
| 57,1 | 175 | 1,1 | 25,03 | KXAC252 | 90S | 4 | - | 2870 |
| 56,3 | 162 | 2,7 | 50,81 | KXBC353 | 80B | 2 | 12000 | 3675 |
| 55,9 | 171 | 3,7 | 17,00 | KXBC353 | 100LR | 6 | 12000 | 3662 |
| 55,9 | 163 | 3,9 | 51,19 | KXBC403 | 80B | 2 | 18000 | 5707 |
| 54,9 | 172 | 3,5 | 26,09 | KXBC353 | 90S | 4 | 12000 | 3707 |
| 54,1 | 169 | 2,0 | 52,83 | KXAC353 | 80B | 2 | 7401 | 3701 |
| 52,9 | 190 | 2,3 | 17,94 | KXAC352 | 100LR | 6 | 7456 | 3728 |
| 52,1 | 192 | 2,2 | 27,45 | KXAC352 | 90S | 4 | 7497 | 3748 |
| 52,0 | 185 | 1,4 | 54,94 | KXAC352 | 80B | 2 | 7525 | 3762 |
| 51,5 | 177 | 3,6 | 55,52 | KXBC403 | 80B | 2 | 18000 | 5852 |
| 51,0 | 185 | 3,3 | 28,03 | KXBC353 | 90S | 4 | 12000 | 3785 |
| 50,2 | 182 | 2,5 | 56,93 | KXBC353 | 80B | 2 | 12000 | 3798 |
| 47,7 | 192 | 3,3 | 59,96 | KXBC403 | 80B | 2 | 18000 | 5984 |
| 45,2 | 221 | 0,9 | 31,63 | KXAC252 | 90S | 4 | - | 3102 |
| 44,9 | 210 | 4,1 | 31,80 | KXBC403 | 90S | 4 | 18000 | 6110 |
| 44,9 | 204 | 3,1 | 63,74 | KXBC403 | 80B | 2 | 18000 | 6097 |
| 43,8 | 209 | 1,6 | 65,35 | KXAC353 | 80B | 2 | 7973 | 3986 |
| 43,3 | 231 | 1,8 | 33,04 | KXAC352 | 90S | 4 | 8031 | 4016 |
| 42,8 | 235 | 1,9 | 22,19 | KXAC352 | 100LR | 6 | 8004 | 4002 |
| 42,8 | 221 | 2,8 | 33,43 | KXBC353 | 90S | 4 | 12000 | 3979 |
| 42,4 | 225 | 2,8 | 22,39 | KXBC353 | 100LR | 6 | 12000 | 3961 |
| 42,1 | 229 | 1,1 | 67,96 | KXAC352 | 80B | 2 | 8049 | 4025 |
| 41,6 | 229 | 3,9 | 22,82 | KXBC403 | 100LR | 6 | 18000 | 6212 |
| 41,5 | 228 | 3,7 | 34,49 | KXBC403 | 90S | 4 | 18000 | 6262 |
| 41,4 | 221 | 2,0 | 69,16 | KXBC353 | 80B | 2 | 12000 | 4003 |
| 41,4 | 221 | 2,9 | 69,14 | KXBC403 | 80B | 2 | 18000 | 6236 |
| 39,1 | 234 | 2,7 | 73,14 | KXBC403 | 80B | 2 | 18000 | 6363 |
| 37,1 | 256 | 2,3 | 38,58 | KXBC353 | 90S | 4 | 12000 | 4141 |
| 36,9 | 247 | 1,8 | 77,48 | KXBC353 | 80B | 2 | 12000 | 4145 |
| 36,4 | 262 | 2,4 | 26,09 | KXBC353 | 100LR | 6 | 12000 | 4133 |
| 36,1 | 262 | 3,2 | 39,60 | KXBC403 | 90S | 4 | 18000 | 6486 |
| 35,6 | 269 | 3,3 | 26,71 | KXBC403 | 100LR | 6 | 18000 | 6512 |
| 35,4 | 258 | 2,5 | 80,76 | KXBC403 | 80B | 2 | 18000 | 6535 |
| 35,4 | 258 | 1,3 | 80,83 | KXAC353 | 80B | 2 | 8558 | 4279 |
| 35,0 | 285 | 1,4 | 40,87 | KXAC352 | 90S | 4 | 8560 | 4280 |

1,10 kW

| n2 [rpm] | M2 [Nm] | fs | i | Gear reducer | Motor Size | Pole | Fr2 D-S-P [N] | Fr2 C [N] |
|-------------|------------|-----|--------|-----------------|---------------|------|------------------|--------------|
| 34,6 | 291 | 1,5 | 27,45 | KXAC352 | 100LR | 6 | 8592 | 4296 |
| 33,9 | 282 | 2,2 | 28,03 | KXBC353 | 100LR | 6 | 12000 | 4215 |
| 33,3 | 284 | 3,0 | 42,95 | KXBC403 | 90S | 4 | 18000 | 6645 |
| 33,1 | 286 | 2,1 | 43,22 | KXBC353 | 90S | 4 | 12000 | 4247 |
| 32,6 | 290 | 1,6 | 43,89 | KXAC353 | 90S | 4 | 8766 | 4383 |
| 32,2 | 296 | 3,0 | 29,50 | KXBC403 | 100LR | 6 | 18000 | 6707 |
| 31,7 | 288 | 1,6 | 90,33 | KXBC353 | 80B | 2 | 12000 | 4311 |
| 31,5 | 301 | 2,9 | 45,44 | KXBC403 | 90S | 4 | 18000 | 6799 |
| 31,3 | 319 | 1,1 | 45,64 | KXAC352 | 90S | 4 | 8881 | 4441 |
| 31,0 | 294 | 2,2 | 92,19 | KXBC403 | 80B | 2 | 18000 | 6797 |
| 29,9 | 320 | 2,8 | 31,80 | KXBC403 | 100LR | 6 | 18000 | 6857 |
| 29,4 | 311 | 1,1 | 97,29 | KXAC353 | 80B | 2 | 9093 | 4547 |
| 28,8 | 351 | 1,3 | 33,04 | KXAC352 | 100LR | 6 | 9139 | 4570 |
| 28,4 | 336 | 1,9 | 33,43 | KXBC353 | 100LR | 6 | 12000 | 4419 |
| 28,4 | 321 | 2,0 | 100,57 | KXBC403 | 80B | 2 | 18000 | 6974 |
| 28,3 | 323 | 1,4 | 101,20 | KXBC353 | 80B | 2 | 12000 | 4445 |
| 28,1 | 336 | 1,8 | 50,81 | KXBC353 | 90S | 4 | 12000 | 4435 |
| 28,0 | 339 | 2,6 | 51,19 | KXBC403 | 90S | 4 | 18000 | 7041 |
| 27,5 | 347 | 2,6 | 34,49 | KXBC403 | 100LR | 6 | 18000 | 7022 |
| 27,2 | 336 | 1,9 | 105,29 | KXBC403 | 80B | 2 | 18000 | 7069 |
| 27,1 | 337 | 4,0 | 105,44 | KXBC503 | 80B | 2 | 22000 | 8771 |
| 27,1 | 350 | 1,3 | 52,83 | KXAC353 | 90S | 4 | 9391 | 4696 |
| 26,0 | 383 | 0,9 | 54,94 | KXAC352 | 90S | 4 | 9448 | 4724 |
| 25,7 | 367 | 2,3 | 55,52 | KXBC403 | 90S | 4 | 18000 | 7209 |
| 25,6 | 357 | 1,3 | 111,74 | KXBC353 | 80B | 2 | 12000 | 4572 |
| 25,1 | 376 | 1,6 | 56,93 | KXBC353 | 90S | 4 | 12000 | 4569 |
| 24,9 | 366 | 3,7 | 114,80 | KXBC503 | 80B | 2 | 22000 | 9004 |
| 24,6 | 388 | 1,6 | 38,58 | KXBC353 | 100LR | 6 | 12000 | 4588 |
| 24,6 | 371 | 1,7 | 116,25 | KXBC403 | 80B | 2 | 18000 | 7299 |
| 24,0 | 398 | 2,2 | 39,60 | KXBC403 | 100LR | 6 | 18000 | 7309 |
| 23,9 | 397 | 2,1 | 59,96 | KXBC403 | 90S | 4 | 18000 | 7371 |
| 23,8 | 384 | 3,5 | 120,42 | KXBC503 | 80B | 2 | 22000 | 9137 |
| 23,2 | 434 | 1,0 | 40,87 | KXAC352 | 100LR | 6 | 9811 | 4905 |
| 23,1 | 396 | 1,1 | 124,20 | KXBC353 | 80B | 2 | 12000 | 4699 |
| 22,5 | 405 | 1,6 | 126,76 | KXBC403 | 80B | 2 | 18000 | 7483 |
| 22,4 | 421 | 2,0 | 63,74 | KXBC403 | 90S | 4 | 18000 | 7456 |
| 22,1 | 432 | 2,1 | 42,95 | KXBC403 | 100LR | 6 | 18000 | 7481 |
| 22,0 | 434 | 1,5 | 43,22 | KXBC353 | 100LR | 6 | 12000 | 4722 |
| 22,0 | 429 | 4,0 | 64,89 | KXBC503 | 90S | 4 | 22000 | 9316 |
| 21,9 | 432 | 1,0 | 65,35 | KXAC353 | 90S | 4 | 10000 | 5005 |
| 21,6 | 424 | 3,2 | 132,87 | KXBC503 | 80B | 2 | 22000 | 9416 |
| 21,3 | 448 | 4,0 | 44,61 | KXBC503 | 100LR | 6 | 22000 | 9410 |

1,10 kW

| n2 [rpm] | M2 [Nm] | fs | i | Gear reducer | Motor Size | Pole | Fr2 D-S-P [N] | Fr2 C [N] |
|-------------|------------|-----|--------|-----------------|---------------|------|------------------|--------------|
| 20,9 | 457 | 2,0 | 45,44 | KXBC403 | 100LR | 6 | 18000 | 7602 |
| 20,8 | 453 | 3,8 | 68,58 | KXBC503 | 90S | 4 | 22000 | 9535 |
| 20,6 | 457 | 1,3 | 69,16 | KXBC353 | 90S | 4 | 12000 | 4825 |
| 20,6 | 457 | 1,8 | 69,14 | KXBC403 | 90S | 4 | 18000 | 7677 |
| 20,5 | 444 | 1,0 | 139,15 | KXBC353 | 80B | 2 | 12000 | 4841 |
| 20,1 | 475 | 3,8 | 47,28 | KXBC503 | 100LR | 6 | 22000 | 9578 |
| 19,8 | 462 | 2,9 | 144,69 | KXBC503 | 80B | 2 | 22000 | 9643 |
| 19,7 | 462 | 1,4 | 144,77 | KXBC403 | 80B | 2 | 18000 | 7773 |
| 19,7 | 481 | 3,5 | 72,76 | KXBC503 | 90S | 4 | 22000 | 9646 |
| 19,6 | 484 | 1,8 | 73,14 | KXBC403 | 90S | 4 | 18000 | 7753 |
| 18,9 | 505 | 3,5 | 50,24 | KXBC503 | 100LR | 6 | 22000 | 9755 |
| 18,7 | 511 | 1,2 | 50,81 | KXBC353 | 100LR | 6 | 12000 | 4913 |
| 18,6 | 515 | 1,7 | 51,19 | KXBC403 | 100LR | 6 | 18000 | 7861 |
| 18,5 | 512 | 1,1 | 77,48 | KXBC353 | 90S | 4 | 12000 | 4960 |
| 18,1 | 522 | 3,3 | 78,92 | KXBC503 | 90S | 4 | 22000 | 9885 |
| 17,9 | 533 | 3,3 | 53,02 | KXBC503 | 100LR | 6 | 22000 | 9914 |
| 17,7 | 534 | 1,6 | 80,76 | KXBC403 | 90S | 4 | 18000 | 7971 |
| 17,3 | 527 | 2,5 | 165,25 | KXBC503 | 80B | 2 | 22000 | 10070 |
| 17,1 | 558 | 1,6 | 55,52 | KXBC403 | 100LR | 6 | 18000 | 8041 |
| 17,1 | 553 | 3,3 | 83,66 | KXBC503 | 90S | 4 | 22000 | 10124 |
| 16,7 | 572 | 1,1 | 56,93 | KXBC353 | 100LR | 6 | 12000 | 5047 |
| 16,2 | 588 | 3,0 | 58,50 | KXBC503 | 100LR | 6 | 22000 | 10211 |
| 15,8 | 603 | 1,5 | 59,96 | KXBC403 | 100LR | 6 | 18000 | 8212 |
| 15,5 | 610 | 1,4 | 92,19 | KXBC403 | 90S | 4 | 18000 | 8267 |
| 15,5 | 610 | 2,9 | 92,31 | KXBC503 | 90S | 4 | 22000 | 10360 |
| 14,9 | 641 | 1,4 | 63,74 | KXBC403 | 100LR | 6 | 18000 | 8350 |
| 14,6 | 652 | 2,7 | 64,89 | KXBC503 | 100LR | 6 | 22000 | 10530 |
| 14,2 | 665 | 1,3 | 100,57 | KXBC403 | 90S | 4 | 18000 | 8464 |
| 13,9 | 689 | 2,6 | 68,58 | KXBC503 | 100LR | 6 | 22000 | 10703 |
| 13,7 | 695 | 1,3 | 69,14 | KXBC403 | 100LR | 6 | 18000 | 8535 |
| 13,6 | 696 | 1,2 | 105,29 | KXBC403 | 90S | 4 | 18000 | 8618 |
| 13,6 | 697 | 2,6 | 105,44 | KXBC503 | 90S | 4 | 22000 | 10843 |
| 13,1 | 731 | 2,4 | 72,76 | KXBC503 | 100LR | 6 | 22000 | 10891 |
| 13,0 | 735 | 1,2 | 73,14 | KXBC403 | 100LR | 6 | 18000 | 8663 |
| 12,5 | 759 | 2,4 | 114,80 | KXBC503 | 90S | 4 | 22000 | 11048 |
| 12,3 | 769 | 1,1 | 116,25 | KXBC403 | 90S | 4 | 18000 | 8797 |
| 12,0 | 793 | 2,3 | 78,92 | KXBC503 | 100LR | 6 | 22000 | 11153 |
| 11,9 | 796 | 2,3 | 120,42 | KXBC503 | 90S | 4 | 22000 | 11203 |
| 11,8 | 812 | 1,1 | 80,76 | KXBC403 | 100LR | 6 | 18000 | 8891 |
| 11,4 | 841 | 2,2 | 83,66 | KXBC503 | 100LR | 6 | 22000 | 11343 |
| 11,2 | 838 | 1,0 | 126,76 | KXBC403 | 90S | 4 | 18000 | 9046 |
| 11,0 | 860 | 4,1 | 129,96 | KXBC603 | 90S | 4 | 30000 | 16223 |

1,10 kW

| n2 [rpm] | M2 [Nm] | fs | i | Gear reducer | Size | Motor Pole | Fr2 D-S-P [N] | Fr2 C [N] |
|----------|---------|-----|--------|--------------|-------|------------|---------------|-----------|
| 10,7 | 878 | 2,0 | 132,87 | KXBC503 | 90S | 4 | 22000 | 11597 |
| 10,3 | 927 | 1,0 | 92,19 | KXBC403 | 100LR | 6 | 18000 | 9197 |
| 10,3 | 928 | 2,0 | 92,31 | KXBC503 | 100LR | 6 | 22000 | 11668 |
| 9,9 | 957 | 1,9 | 144,69 | KXBC503 | 90S | 4 | 22000 | 11812 |
| 9,9 | 955 | 3,7 | 144,43 | KXBC603 | 90S | 4 | 30000 | 16612 |
| 9,5 | 1002 | 3,7 | 99,70 | KXBC603 | 100LR | 6 | 30000 | 16778 |
| 9,0 | 1060 | 1,8 | 105,44 | KXBC503 | 100LR | 6 | 22000 | 12118 |
| 8,9 | 1072 | 3,4 | 106,65 | KXBC603 | 100LR | 6 | 30000 | 17093 |
| 8,9 | 1059 | 3,3 | 160,23 | KXBC603 | 90S | 4 | 30000 | 17198 |
| 8,7 | 1093 | 1,6 | 165,25 | KXBC503 | 90S | 4 | 22000 | 12265 |
| 8,3 | 1154 | 1,6 | 114,80 | KXBC503 | 100LR | 6 | 22000 | 12410 |
| 7,9 | 1210 | 1,6 | 120,42 | KXBC503 | 100LR | 6 | 22000 | 12576 |
| 7,9 | 1202 | 3,1 | 119,60 | KXBC603 | 100LR | 6 | 30000 | 17635 |
| 7,9 | 1193 | 2,9 | 180,40 | KXBC603 | 90S | 4 | 30000 | 17661 |
| 7,3 | 1306 | 2,8 | 129,96 | KXBC603 | 100LR | 6 | 30000 | 18032 |
| 7,1 | 1336 | 1,4 | 132,87 | KXBC503 | 100LR | 6 | 22000 | 12921 |
| 7,0 | 1371 | 3,8 | 136,44 | KXBC703 | 100LR | 6 | 40000 | 40000 |
| 6,6 | 1454 | 1,3 | 144,69 | KXBC503 | 100LR | 6 | 22000 | 13223 |
| 6,6 | 1452 | 2,5 | 144,43 | KXBC603 | 100LR | 6 | 30000 | 18541 |
| 6,4 | 1504 | 3,5 | 149,59 | KXBC703 | 100LR | 6 | 40000 | 40000 |
| 5,9 | 1611 | 2,3 | 160,23 | KXBC603 | 100LR | 6 | 30000 | 19045 |
| 5,7 | 1661 | 1,1 | 165,25 | KXBC503 | 100LR | 6 | 22000 | 13700 |
| 5,7 | 1674 | 3,1 | 166,53 | KXBC703 | 100LR | 6 | 40000 | 40000 |
| 5,3 | 1813 | 2,0 | 180,40 | KXBC603 | 100LR | 6 | 30000 | 19624 |
| 5,1 | 1882 | 2,8 | 187,24 | KXBC703 | 100LR | 6 | 40000 | 40000 |

1,50 kW

| n2 [rpm] | M2 [Nm] | fs | i | Gear reducer | Size | Motor Pole | Fr2 D-S-P [N] | Fr2 C [N] |
|----------|---------|-----|-------|--------------|------|------------|---------------|-----------|
| 361,4 | 37 | 3,3 | 7,91 | KXAC252 | 90S | 2 | - | 1555 |
| 302,3 | 44 | 2,7 | 9,46 | KXAC252 | 90S | 2 | - | 1651 |
| 247,1 | 54 | 2,2 | 11,57 | KXAC252 | 90S | 2 | - | 1765 |
| 195,6 | 68 | 1,8 | 14,63 | KXAC252 | 90S | 2 | - | 1909 |
| 180,8 | 75 | 2,1 | 7,91 | KXAC252 | 90L | 4 | - | 1959 |
| 167,1 | 79 | 1,9 | 17,11 | KXAC252 | 90S | 2 | - | 2006 |
| 164,4 | 79 | 3,8 | 5,71 | KXBC353 | 100L | 6 | 9188 | 2625 |
| 159,4 | 82 | 3,8 | 17,94 | KXAC352 | 90S | 2 | 5176 | 2588 |
| 151,2 | 90 | 1,8 | 9,46 | KXAC252 | 90L | 4 | - | 2080 |
| 142,2 | 96 | 3,7 | 10,06 | KXAC352 | 90L | 4 | 5365 | 2682 |
| 139,8 | 94 | 1,6 | 20,46 | KXAC252 | 90S | 2 | - | 2135 |
| 136,6 | 95 | 3,7 | 6,88 | KXBC353 | 100L | 6 | 9686 | 2767 |
| 128,8 | 102 | 3,1 | 22,19 | KXAC352 | 90S | 2 | 5537 | 2768 |

5.1 KXBC/KXAC GEARED MOTORS (50Hz)

1,50 kW

| n2 [rpm] | M2 [Nm] | fs | i | Gear reducer | Size | Motor Pole | Fr2 D-S-P [N] | Fr2 C [N] |
|-------------|------------|-----|-------|-----------------|------|---------------|------------------|--------------|
| 128,4 | 102 | 3,6 | 7,32 | KXBC353 | 100L | 6 | 9900 | 2829 |
| 123,6 | 111 | 1,4 | 11,57 | KXAC252 | 90L | 4 | - | 2235 |
| 114,9 | 118 | 3,0 | 12,44 | KXAC352 | 90L | 4 | 5800 | 2900 |
| 114,3 | 115 | 1,3 | 25,03 | KXAC252 | 90S | 2 | - | 2275 |
| 112,5 | 123 | 3,0 | 8,36 | KXAC352 | 100L | 6 | 5821 | 2910 |
| 109,6 | 113 | 4,0 | 26,09 | KXBC353 | 90S | 2 | 10356 | 2959 |
| 104,2 | 126 | 2,5 | 27,45 | KXAC352 | 90S | 2 | 5943 | 2972 |
| 102,6 | 127 | 3,8 | 9,16 | KXBC353 | 100L | 6 | 10546 | 3013 |
| 102,0 | 122 | 3,7 | 28,03 | KXBC353 | 90S | 2 | 10578 | 3022 |
| 97,8 | 139 | 1,1 | 14,63 | KXAC252 | 90L | 4 | - | 2405 |
| 96,0 | 142 | 2,9 | 14,91 | KXAC352 | 90L | 4 | 6131 | 3065 |
| 93,4 | 147 | 2,5 | 10,06 | KXAC352 | 100L | 6 | 6192 | 3096 |
| 91,6 | 142 | 3,8 | 10,26 | KXBC353 | 100L | 6 | 10936 | 3124 |
| 90,4 | 146 | 1,0 | 31,63 | KXAC252 | 90S | 2 | - | 2460 |
| 86,6 | 152 | 2,1 | 33,04 | KXAC352 | 90S | 2 | 6329 | 3165 |
| 85,5 | 146 | 3,1 | 33,43 | KXBC353 | 90S | 2 | 11139 | 3182 |
| 85,2 | 153 | 3,7 | 11,03 | KXBC353 | 100L | 6 | 11131 | 3180 |
| 84,1 | 154 | 3,9 | 17,00 | KXBC353 | 90L | 4 | 11249 | 3214 |
| 83,6 | 163 | 1,2 | 17,11 | KXAC252 | 90L | 4 | - | 2528 |
| 79,7 | 171 | 2,5 | 17,94 | KXAC352 | 90L | 4 | 6506 | 3253 |
| 76,1 | 171 | 3,5 | 12,35 | KXBC353 | 100L | 6 | 11534 | 3296 |
| 75,5 | 182 | 2,0 | 12,44 | KXAC352 | 100L | 6 | 6647 | 3323 |
| 74,1 | 168 | 2,7 | 38,58 | KXBC353 | 90S | 2 | 11620 | 3320 |
| 72,2 | 173 | 3,7 | 39,60 | KXBC403 | 90S | 2 | 18000 | 5196 |
| 71,5 | 182 | 3,4 | 13,15 | KXBC353 | 100L | 6 | 11741 | 3354 |
| 70,0 | 188 | 1,6 | 40,87 | KXAC352 | 90S | 2 | 6794 | 3397 |
| 69,9 | 195 | 1,0 | 20,46 | KXAC252 | 90L | 4 | - | 2683 |
| 66,6 | 187 | 3,4 | 42,95 | KXBC403 | 90S | 2 | 18000 | 5331 |
| 66,2 | 188 | 2,4 | 43,22 | KXBC353 | 90S | 2 | 12000 | 3429 |
| 65,2 | 191 | 1,8 | 43,89 | KXAC353 | 90S | 2 | 6958 | 3479 |
| 64,5 | 212 | 2,0 | 22,19 | KXAC352 | 90L | 4 | 7000 | 3500 |
| 63,9 | 202 | 3,0 | 22,39 | KXBC353 | 90L | 4 | 12000 | 3455 |
| 63,1 | 218 | 2,0 | 14,91 | KXAC352 | 100L | 6 | 7034 | 3517 |
| 62,9 | 198 | 3,2 | 45,44 | KXBC403 | 90S | 2 | 18000 | 5423 |
| 62,7 | 210 | 1,3 | 45,64 | KXAC352 | 90S | 2 | 7049 | 3525 |
| 61,9 | 210 | 2,9 | 15,18 | KXBC353 | 100L | 6 | 12000 | 3481 |
| 56,6 | 230 | 3,9 | 16,60 | KXBC403 | 100L | 6 | 18000 | 5586 |
| 56,3 | 221 | 2,0 | 50,81 | KXBC353 | 90S | 2 | 12000 | 3595 |
| 55,9 | 223 | 2,9 | 51,19 | KXBC403 | 90S | 2 | 18000 | 5620 |
| 55,3 | 236 | 2,7 | 17,00 | KXBC353 | 100L | 6 | 12000 | 3592 |
| 54,8 | 235 | 2,5 | 26,09 | KXBC353 | 90L | 4 | 12000 | 3611 |
| 54,1 | 230 | 1,5 | 52,83 | KXAC353 | 90S | 2 | 7401 | 3701 |

1,50 kW

| n2 [rpm] | M2 [Nm] | fs | i | Gear reducer | Motor Size | Pole | Fr2 D-S-P [N] | Fr2 C [N] |
|-------------|------------|-----|-------|-----------------|---------------|------|------------------|--------------|
| 53,6 | 241 | 3,5 | 26,71 | KXBC403 | 90L | 4 | 18000 | 5695 |
| 52,4 | 262 | 1,7 | 17,94 | KXAC352 | 100L | 6 | 7509 | 3755 |
| 52,1 | 261 | 1,6 | 27,45 | KXAC352 | 90L | 4 | 7550 | 3775 |
| 52,1 | 252 | 1,0 | 54,94 | KXAC352 | 90S | 2 | 7516 | 3758 |
| 51,5 | 242 | 2,6 | 55,52 | KXBC403 | 90S | 2 | 18000 | 5758 |
| 51,3 | 254 | 3,5 | 18,32 | KXBC403 | 100L | 6 | 18000 | 5771 |
| 51,1 | 253 | 2,4 | 28,03 | KXBC353 | 90L | 4 | 12000 | 3682 |
| 50,2 | 248 | 1,8 | 56,93 | KXBC353 | 90S | 2 | 12000 | 3702 |
| 48,5 | 266 | 3,2 | 29,50 | KXBC403 | 90L | 4 | 18000 | 5889 |
| 47,7 | 261 | 2,4 | 59,96 | KXBC403 | 90S | 2 | 18000 | 5903 |
| 45,0 | 287 | 3,0 | 31,80 | KXBC403 | 90L | 4 | 18000 | 5983 |
| 44,9 | 277 | 2,3 | 63,74 | KXBC403 | 90S | 2 | 18000 | 6011 |
| 43,8 | 284 | 1,2 | 65,35 | KXAC353 | 90S | 2 | 7945 | 3972 |
| 43,3 | 315 | 1,3 | 33,04 | KXAC352 | 90L | 4 | 7993 | 3997 |
| 42,8 | 302 | 2,0 | 33,43 | KXBC353 | 90L | 4 | 12000 | 3859 |
| 42,4 | 325 | 1,4 | 22,19 | KXAC352 | 100L | 6 | 8032 | 4016 |
| 41,9 | 311 | 2,0 | 22,39 | KXBC353 | 100L | 6 | 12000 | 3877 |
| 41,5 | 311 | 2,8 | 34,49 | KXBC403 | 90L | 4 | 18000 | 6164 |
| 41,4 | 301 | 1,5 | 69,16 | KXBC353 | 90S | 2 | 12000 | 3896 |
| 41,4 | 301 | 2,1 | 69,14 | KXBC403 | 90S | 2 | 18000 | 6137 |
| 41,2 | 316 | 2,8 | 22,82 | KXBC403 | 100L | 6 | 18000 | 6134 |
| 39,1 | 318 | 2,0 | 73,14 | KXBC403 | 90S | 2 | 18000 | 6238 |
| 37,1 | 348 | 1,7 | 38,58 | KXBC353 | 90L | 4 | 12000 | 3997 |
| 36,9 | 337 | 1,3 | 77,48 | KXBC353 | 90S | 2 | 12000 | 4013 |
| 36,3 | 344 | 3,7 | 78,92 | KXBC503 | 90S | 2 | 22000 | 7940 |
| 36,2 | 357 | 2,4 | 39,60 | KXBC403 | 90L | 4 | 18000 | 6388 |
| 36,0 | 361 | 1,7 | 26,09 | KXBC353 | 100L | 6 | 12000 | 4032 |
| 35,4 | 352 | 1,8 | 80,76 | KXBC403 | 90S | 2 | 18000 | 6439 |
| 35,2 | 370 | 2,4 | 26,71 | KXBC403 | 100L | 6 | 18000 | 6439 |
| 34,9 | 389 | 1,0 | 40,87 | KXAC352 | 90L | 4 | 8580 | 4290 |
| 34,3 | 402 | 1,1 | 27,45 | KXAC352 | 100L | 6 | 8653 | 4326 |
| 34,2 | 364 | 3,7 | 83,66 | KXBC503 | 90S | 2 | 22000 | 8057 |
| 33,5 | 388 | 1,6 | 28,03 | KXBC353 | 100L | 6 | 12000 | 4094 |
| 33,3 | 388 | 2,1 | 42,95 | KXBC403 | 90L | 4 | 18000 | 6565 |
| 33,1 | 390 | 1,5 | 43,22 | KXBC353 | 90L | 4 | 12000 | 4113 |
| 32,6 | 396 | 1,1 | 43,89 | KXAC353 | 90L | 4 | 8766 | 4383 |
| 31,9 | 409 | 2,2 | 29,50 | KXBC403 | 100L | 6 | 18000 | 6602 |
| 31,5 | 410 | 2,1 | 45,44 | KXBC403 | 90L | 4 | 18000 | 6643 |
| 31,0 | 402 | 3,4 | 92,31 | KXBC503 | 90S | 2 | 22000 | 8311 |
| 31,0 | 401 | 1,6 | 92,19 | KXBC403 | 90S | 2 | 18000 | 6667 |
| 30,7 | 423 | 3,9 | 30,55 | KXBC503 | 100L | 6 | 22000 | 8340 |
| 30,2 | 426 | 4,0 | 47,28 | KXBC503 | 90L | 4 | 22000 | 8377 |

1,50 kW

| n2 [rpm] | M2 [Nm] | fs | i | Gear reducer | Motor Size | Pole | Fr2 D-S-P [N] | Fr2 C [N] |
|-------------|------------|-----|--------|-----------------|---------------|------|------------------|--------------|
| 29,5 | 440 | 2,0 | 31,80 | KXBC403 | 100L | 6 | 18000 | 6763 |
| 28,5 | 453 | 3,8 | 50,24 | KXBC503 | 90L | 4 | 22000 | 8568 |
| 28,4 | 458 | 3,9 | 33,07 | KXBC503 | 100L | 6 | 22000 | 8541 |
| 28,4 | 483 | 0,9 | 33,04 | KXAC352 | 100L | 6 | 9172 | 4586 |
| 28,4 | 438 | 1,4 | 100,57 | KXBC403 | 90S | 2 | 18000 | 6853 |
| 28,2 | 458 | 1,3 | 50,81 | KXBC353 | 90L | 4 | 12000 | 4299 |
| 28,1 | 463 | 1,3 | 33,43 | KXBC353 | 100L | 6 | 12000 | 4283 |
| 27,9 | 462 | 1,8 | 51,19 | KXBC403 | 90L | 4 | 18000 | 6868 |
| 27,3 | 478 | 1,9 | 34,49 | KXBC403 | 100L | 6 | 18000 | 6897 |
| 27,2 | 458 | 1,4 | 105,29 | KXBC403 | 90S | 2 | 18000 | 6928 |
| 27,1 | 459 | 2,9 | 105,44 | KXBC503 | 90S | 2 | 22000 | 8651 |
| 27,1 | 477 | 0,9 | 52,83 | KXAC353 | 90L | 4 | 9391 | 4696 |
| 27,0 | 478 | 3,6 | 53,02 | KXBC503 | 90L | 4 | 22000 | 8653 |
| 26,2 | 497 | 3,6 | 35,87 | KXBC503 | 100L | 6 | 22000 | 8723 |
| 25,8 | 501 | 1,7 | 55,52 | KXBC403 | 90L | 4 | 18000 | 7011 |
| 25,1 | 513 | 1,2 | 56,93 | KXBC353 | 90L | 4 | 12000 | 4400 |
| 24,9 | 500 | 2,7 | 114,80 | KXBC503 | 90S | 2 | 22000 | 8866 |
| 24,6 | 506 | 1,3 | 116,25 | KXBC403 | 90S | 2 | 18000 | 7120 |
| 24,4 | 528 | 3,3 | 58,50 | KXBC503 | 90L | 4 | 22000 | 8967 |
| 24,4 | 534 | 1,2 | 38,58 | KXBC353 | 100L | 6 | 12000 | 4427 |
| 23,9 | 541 | 1,6 | 59,96 | KXBC403 | 90L | 4 | 18000 | 7159 |
| 23,8 | 524 | 2,6 | 120,42 | KXBC503 | 90S | 2 | 22000 | 9021 |
| 23,7 | 549 | 1,6 | 39,60 | KXBC403 | 100L | 6 | 18000 | 7162 |
| 22,9 | 570 | 3,1 | 41,12 | KXBC503 | 100L | 6 | 22000 | 9085 |
| 22,5 | 552 | 1,2 | 126,76 | KXBC403 | 90S | 2 | 18000 | 7284 |
| 22,4 | 575 | 1,5 | 63,74 | KXBC403 | 90L | 4 | 18000 | 7279 |
| 22,1 | 585 | 2,9 | 64,89 | KXBC503 | 90L | 4 | 22000 | 9245 |
| 21,9 | 595 | 1,5 | 42,95 | KXBC403 | 100L | 6 | 18000 | 7321 |
| 21,7 | 599 | 1,1 | 43,22 | KXBC353 | 100L | 6 | 12000 | 4528 |
| 21,5 | 578 | 2,3 | 132,87 | KXBC503 | 90S | 2 | 22000 | 9260 |
| 21,0 | 618 | 2,9 | 44,61 | KXBC503 | 100L | 6 | 22000 | 9334 |
| 20,8 | 619 | 2,8 | 68,58 | KXBC503 | 90L | 4 | 22000 | 9397 |
| 20,7 | 629 | 1,4 | 45,44 | KXBC403 | 100L | 6 | 18000 | 7452 |
| 20,6 | 624 | 0,9 | 69,16 | KXBC353 | 90L | 4 | 12000 | 4606 |
| 20,6 | 624 | 1,3 | 69,14 | KXBC403 | 90L | 4 | 18000 | 7480 |
| 19,9 | 655 | 2,7 | 47,28 | KXBC503 | 100L | 6 | 22000 | 9465 |
| 19,7 | 630 | 2,1 | 144,69 | KXBC503 | 90S | 2 | 22000 | 9525 |
| 19,7 | 630 | 1,0 | 144,77 | KXBC403 | 90S | 2 | 18000 | 7549 |
| 19,6 | 656 | 2,6 | 72,76 | KXBC503 | 90L | 4 | 22000 | 9521 |
| 19,5 | 660 | 1,3 | 73,14 | KXBC403 | 90L | 4 | 18000 | 7592 |
| 18,7 | 696 | 2,6 | 50,24 | KXBC503 | 100L | 6 | 22000 | 9634 |
| 18,4 | 709 | 1,2 | 51,19 | KXBC403 | 100L | 6 | 18000 | 7687 |

1,50 kW

| n2 [rpm] | M2 [Nm] | fs | i | Gear reducer | Motor Size | Pole | Fr2 D-S-P [N] | Fr2 C [N] |
|-------------|------------|-----|--------|-----------------|---------------|------|------------------|--------------|
| 18,1 | 712 | 2,4 | 78,92 | KXBC503 | 90L | 4 | 22000 | 9729 |
| 17,8 | 697 | 3,8 | 160,23 | KXBC603 | 90S | 2 | 30000 | 13780 |
| 17,7 | 734 | 2,4 | 53,02 | KXBC503 | 100L | 6 | 22000 | 9815 |
| 17,7 | 728 | 1,1 | 80,76 | KXBC403 | 90L | 4 | 18000 | 7789 |
| 17,3 | 719 | 1,9 | 165,25 | KXBC503 | 90S | 2 | 22000 | 9881 |
| 17,1 | 755 | 2,4 | 83,66 | KXBC503 | 90L | 4 | 22000 | 9915 |
| 16,9 | 769 | 1,2 | 55,52 | KXBC403 | 100L | 6 | 18000 | 7827 |
| 16,1 | 810 | 2,2 | 58,50 | KXBC503 | 100L | 6 | 22000 | 10096 |
| 15,9 | 785 | 3,3 | 180,40 | KXBC603 | 90S | 2 | 30000 | 14265 |
| 15,7 | 831 | 1,1 | 59,96 | KXBC403 | 100L | 6 | 18000 | 7980 |
| 15,5 | 831 | 1,0 | 92,19 | KXBC403 | 90L | 4 | 18000 | 8053 |
| 15,5 | 832 | 2,1 | 92,31 | KXBC503 | 90L | 4 | 22000 | 10239 |
| 15,0 | 867 | 4,0 | 62,59 | KXBC603 | 100L | 6 | 30000 | 14432 |
| 14,7 | 883 | 1,0 | 63,74 | KXBC403 | 100L | 6 | 18000 | 8102 |
| 14,5 | 899 | 2,0 | 64,89 | KXBC503 | 100L | 6 | 22000 | 10366 |
| 14,2 | 907 | 0,9 | 100,57 | KXBC403 | 90L | 4 | 18000 | 8185 |
| 13,7 | 950 | 1,9 | 68,58 | KXBC503 | 100L | 6 | 22000 | 10528 |
| 13,6 | 958 | 0,9 | 69,14 | KXBC403 | 100L | 6 | 18000 | 8264 |
| 13,6 | 951 | 1,9 | 105,44 | KXBC503 | 90L | 4 | 22000 | 10568 |
| 13,5 | 962 | 3,6 | 69,43 | KXBC603 | 100L | 6 | 30000 | 14851 |
| 13,4 | 962 | 3,6 | 106,65 | KXBC603 | 90L | 4 | 30000 | 14903 |
| 12,9 | 1008 | 1,8 | 72,76 | KXBC503 | 100L | 6 | 22000 | 10736 |
| 12,6 | 1031 | 3,6 | 74,42 | KXBC603 | 100L | 6 | 30000 | 15133 |
| 12,5 | 1035 | 1,7 | 114,80 | KXBC503 | 90L | 4 | 22000 | 10821 |
| 12,0 | 1078 | 3,2 | 119,60 | KXBC603 | 90L | 4 | 30000 | 15401 |
| 11,9 | 1093 | 1,6 | 78,92 | KXBC503 | 100L | 6 | 22000 | 10980 |
| 11,9 | 1086 | 1,7 | 120,42 | KXBC503 | 90L | 4 | 22000 | 10965 |
| 11,7 | 1109 | 3,3 | 80,04 | KXBC603 | 100L | 6 | 30000 | 15476 |
| 11,2 | 1159 | 1,6 | 83,66 | KXBC503 | 100L | 6 | 22000 | 11123 |
| 11,0 | 1172 | 3,0 | 129,96 | KXBC603 | 90L | 4 | 30000 | 15716 |
| 10,7 | 1198 | 1,5 | 132,87 | KXBC503 | 90L | 4 | 22000 | 11329 |
| 10,5 | 1245 | 3,0 | 89,87 | KXBC603 | 100L | 6 | 30000 | 15911 |
| 10,2 | 1279 | 1,5 | 92,31 | KXBC503 | 100L | 6 | 22000 | 11424 |
| 10,0 | 1304 | 4,0 | 94,13 | KXBC703 | 100L | 6 | 40000 | 40000 |
| 9,9 | 1302 | 2,7 | 144,43 | KXBC603 | 90L | 4 | 30000 | 16245 |
| 9,9 | 1305 | 1,4 | 144,69 | KXBC503 | 90L | 4 | 22000 | 11526 |
| 9,4 | 1381 | 2,6 | 99,70 | KXBC603 | 100L | 6 | 30000 | 16388 |
| 8,9 | 1461 | 1,3 | 105,44 | KXBC503 | 100L | 6 | 22000 | 11834 |
| 8,9 | 1466 | 3,5 | 105,83 | KXBC703 | 100L | 6 | 40000 | 40000 |
| 8,9 | 1445 | 2,5 | 160,23 | KXBC603 | 90L | 4 | 30000 | 16681 |
| 8,8 | 1477 | 2,5 | 106,65 | KXBC603 | 100L | 6 | 30000 | 16670 |
| 8,7 | 1490 | 1,2 | 165,25 | KXBC503 | 90L | 4 | 22000 | 12005 |

5.1 KXBC/KXAC GEARED MOTORS (50Hz)

1,50 kW

| n2 [rpm] | M2 [Nm] | fs | i | Gear reducer | Size | Motor Pole | Fr2 D-S-P [N] | Fr2 C [N] |
|-------------|------------|-----|--------|-----------------|------|---------------|------------------|--------------|
| 8,4 | 1551 | 3,4 | 111,94 | KXBC703 | 100L | 6 | 40000 | 40000 |
| 8,2 | 1590 | 1,2 | 114,80 | KXBC503 | 100L | 6 | 22000 | 12098 |
| 8,0 | 1627 | 2,1 | 180,40 | KXBC603 | 90L | 4 | 30000 | 17121 |
| 7,9 | 1657 | 2,2 | 119,60 | KXBC603 | 100L | 6 | 30000 | 17150 |
| 7,8 | 1668 | 1,1 | 120,42 | KXBC503 | 100L | 6 | 22000 | 12281 |
| 7,6 | 1726 | 3,0 | 124,62 | KXBC703 | 100L | 6 | 40000 | 40000 |
| 7,3 | 1801 | 2,0 | 129,96 | KXBC603 | 100L | 6 | 30000 | 17497 |
| 7,1 | 1841 | 1,0 | 132,87 | KXBC503 | 100L | 6 | 22000 | 12555 |
| 6,9 | 1890 | 2,8 | 136,44 | KXBC703 | 100L | 6 | 40000 | 40000 |
| 6,5 | 2001 | 1,8 | 144,43 | KXBC603 | 100L | 6 | 30000 | 17892 |
| 6,5 | 2005 | 0,9 | 144,69 | KXBC503 | 100L | 6 | 22000 | 12855 |
| 6,3 | 2072 | 2,5 | 149,59 | KXBC703 | 100L | 6 | 40000 | 40000 |
| 5,9 | 2220 | 1,7 | 160,23 | KXBC603 | 100L | 6 | 30000 | 18320 |
| 5,7 | 2307 | 2,3 | 166,53 | KXBC703 | 100L | 6 | 40000 | 40000 |
| 5,3 | 2499 | 1,5 | 180,40 | KXBC603 | 100L | 6 | 30000 | 18843 |
| 5,1 | 2594 | 2,0 | 187,24 | KXBC703 | 100L | 6 | 40000 | 40000 |

2,20 kW

| n2 [rpm] | M2 [Nm] | fs | i | Gear reducer | Size | Motor Pole | Fr2 D-S-P [N] | Fr2 C [N] |
|-------------|------------|-----|-------|-----------------|-------|---------------|------------------|--------------|
| 364,0 | 53 | 2,3 | 7,91 | KXAC252 | 90L | 2 | - | 1548 |
| 304,4 | 64 | 1,9 | 9,46 | KXAC252 | 90L | 2 | - | 1647 |
| 286,3 | 68 | 3,9 | 10,06 | KXAC352 | 90L | 2 | 4258 | 2129 |
| 251,9 | 75 | 3,8 | 5,71 | KXBC353 | 100LA | 4 | 7944 | 2270 |
| 248,8 | 77 | 1,5 | 11,57 | KXAC252 | 90L | 2 | - | 1761 |
| 231,5 | 83 | 3,1 | 12,44 | KXAC352 | 90L | 2 | 4571 | 2285 |
| 209,3 | 91 | 3,8 | 6,88 | KXBC353 | 100LA | 4 | 8415 | 2404 |
| 196,9 | 98 | 1,2 | 14,63 | KXAC252 | 90L | 2 | - | 1900 |
| 196,6 | 97 | 3,7 | 7,32 | KXBC353 | 100LA | 4 | 8572 | 2449 |
| 193,2 | 100 | 3,2 | 14,91 | KXAC352 | 90L | 2 | 4843 | 2422 |
| 172,3 | 116 | 3,0 | 8,36 | KXAC352 | 100LA | 4 | 5043 | 2522 |
| 168,3 | 114 | 1,3 | 17,11 | KXAC252 | 90L | 2 | - | 2006 |
| 168,0 | 114 | 2,7 | 5,71 | KXBC353 | 112M | 6 | 8936 | 2553 |
| 160,5 | 120 | 2,6 | 17,94 | KXAC352 | 90L | 2 | 5164 | 2582 |
| 157,2 | 121 | 3,8 | 9,16 | KXBC353 | 100LA | 4 | 9079 | 2594 |
| 143,1 | 140 | 2,5 | 10,06 | KXAC352 | 100LA | 4 | 5328 | 2664 |
| 140,8 | 137 | 1,1 | 20,46 | KXAC252 | 90L | 2 | - | 2130 |
| 140,3 | 135 | 3,9 | 10,26 | KXBC353 | 100LA | 4 | 9457 | 2702 |
| 139,5 | 137 | 2,6 | 6,88 | KXBC353 | 112M | 6 | 9428 | 2694 |
| 131,1 | 146 | 2,5 | 7,32 | KXBC353 | 112M | 6 | 9597 | 2742 |
| 130,6 | 145 | 3,7 | 11,03 | KXBC353 | 100LA | 4 | 9615 | 2747 |
| 129,8 | 148 | 2,1 | 22,19 | KXAC352 | 90L | 2 | 5530 | 2765 |

2,20 kW

| n2 [rpm] | M2 [Nm] | fs | i | Gear reducer | Motor Size | Pole | Fr2 D-S-P [N] | Fr2 C [N] |
|-------------|------------|-----|-------|-----------------|---------------|------|------------------|--------------|
| 128,6 | 142 | 3,1 | 22,39 | KXBC353 | 90L | 2 | 9699 | 2771 |
| 122,9 | 155 | 3,4 | 7,81 | KXBC403 | 112M | 6 | 15230 | 4352 |
| 116,5 | 163 | 3,5 | 12,35 | KXBC353 | 100LA | 4 | 9967 | 2848 |
| 115,7 | 173 | 2,0 | 12,44 | KXAC352 | 100LA | 4 | 5759 | 2879 |
| 114,9 | 175 | 2,1 | 8,36 | KXAC352 | 112M | 6 | 5821 | 2910 |
| 111,3 | 172 | 3,7 | 8,62 | KXBC403 | 112M | 6 | 15692 | 4483 |
| 110,4 | 165 | 2,7 | 26,09 | KXBC353 | 90L | 2 | 10108 | 2888 |
| 109,5 | 173 | 3,4 | 13,15 | KXBC353 | 100LA | 4 | 10103 | 2887 |
| 107,8 | 169 | 3,8 | 26,71 | KXBC403 | 90L | 2 | 15876 | 4536 |
| 104,9 | 184 | 1,7 | 27,45 | KXAC352 | 90L | 2 | 5936 | 2968 |
| 104,8 | 182 | 2,7 | 9,16 | KXBC353 | 112M | 6 | 10309 | 2945 |
| 102,7 | 178 | 2,5 | 28,03 | KXBC353 | 90L | 2 | 10312 | 2946 |
| 97,6 | 187 | 3,4 | 29,50 | KXBC403 | 90L | 2 | 16355 | 4673 |
| 96,6 | 207 | 2,0 | 14,91 | KXAC352 | 100LA | 4 | 6131 | 3065 |
| 95,4 | 211 | 1,8 | 10,06 | KXAC352 | 112M | 6 | 6192 | 3096 |
| 94,9 | 200 | 3,0 | 15,18 | KXBC353 | 100LA | 4 | 10470 | 2992 |
| 93,5 | 204 | 2,7 | 10,26 | KXBC353 | 112M | 6 | 10633 | 3038 |
| 91,5 | 209 | 3,3 | 10,49 | KXBC403 | 112M | 6 | 16795 | 4799 |
| 90,5 | 202 | 3,1 | 31,80 | KXBC403 | 90L | 2 | 16760 | 4789 |
| 87,2 | 221 | 1,4 | 33,04 | KXAC352 | 90L | 2 | 6329 | 3165 |
| 87,1 | 219 | 2,6 | 11,03 | KXBC353 | 112M | 6 | 10748 | 3071 |
| 86,8 | 218 | 3,9 | 16,60 | KXBC403 | 100LA | 4 | 16909 | 4831 |
| 86,1 | 212 | 2,1 | 33,43 | KXBC353 | 90L | 2 | 10823 | 3092 |
| 84,7 | 223 | 2,7 | 17,00 | KXBC353 | 100LA | 4 | 10858 | 3102 |
| 83,5 | 219 | 2,9 | 34,49 | KXBC403 | 90L | 2 | 17134 | 4895 |
| 82,9 | 231 | 3,4 | 11,59 | KXBC403 | 112M | 6 | 17132 | 4895 |
| 80,3 | 249 | 1,7 | 17,94 | KXAC352 | 100LA | 4 | 6491 | 3246 |
| 78,6 | 241 | 3,5 | 18,32 | KXBC403 | 100LA | 4 | 17409 | 4974 |
| 77,7 | 246 | 2,5 | 12,35 | KXBC353 | 112M | 6 | 11170 | 3191 |
| 77,1 | 262 | 1,4 | 12,44 | KXAC352 | 112M | 6 | 6647 | 3323 |
| 74,6 | 244 | 1,8 | 38,58 | KXBC353 | 90L | 2 | 11266 | 3219 |
| 73,0 | 262 | 2,4 | 13,15 | KXBC353 | 112M | 6 | 11260 | 3217 |
| 72,7 | 251 | 2,5 | 39,60 | KXBC403 | 90L | 2 | 17879 | 5108 |
| 70,5 | 273 | 1,1 | 40,87 | KXAC352 | 90L | 2 | 6794 | 3397 |
| 67,1 | 272 | 2,3 | 42,95 | KXBC403 | 90L | 2 | 18000 | 5230 |
| 66,7 | 274 | 1,6 | 43,22 | KXBC353 | 90L | 2 | 11606 | 3316 |
| 66,5 | 287 | 3,0 | 14,43 | KXBC403 | 112M | 6 | 18000 | 5217 |
| 65,7 | 278 | 1,2 | 43,89 | KXAC353 | 90L | 2 | 6958 | 3479 |
| 64,9 | 308 | 1,4 | 22,19 | KXAC352 | 100LA | 4 | 6968 | 3484 |
| 64,4 | 313 | 1,4 | 14,91 | KXAC352 | 112M | 6 | 6985 | 3493 |
| 64,3 | 294 | 2,1 | 22,39 | KXBC353 | 100LA | 4 | 11604 | 3316 |
| 63,4 | 288 | 2,2 | 45,44 | KXBC403 | 90L | 2 | 18000 | 5305 |

2,20 kW

| n2 [rpm] | M2 [Nm] | fs | i | Gear reducer | Motor Size | Pole | Fr2 D-S-P [N] | Fr2 C [N] |
|-------------|------------|-----|-------|-----------------|---------------|------|------------------|--------------|
| 63,3 | 302 | 2,1 | 15,18 | KXBC353 | 112M | 6 | 11773 | 3364 |
| 63,1 | 300 | 2,9 | 22,82 | KXBC403 | 100LA | 4 | 18000 | 5279 |
| 57,8 | 330 | 2,7 | 16,60 | KXBC403 | 112M | 6 | 18000 | 5478 |
| 57,3 | 319 | 4,0 | 50,24 | KXBC503 | 90L | 2 | 22000 | 6806 |
| 56,7 | 322 | 1,4 | 50,81 | KXBC353 | 90L | 2 | 12000 | 3449 |
| 56,5 | 338 | 1,9 | 17,00 | KXBC353 | 112M | 6 | 12000 | 3459 |
| 56,3 | 325 | 2,0 | 51,19 | KXBC403 | 90L | 2 | 18000 | 5500 |
| 55,2 | 343 | 1,8 | 26,09 | KXBC353 | 100LA | 4 | 12000 | 3456 |
| 54,5 | 335 | 1,0 | 52,83 | KXAC353 | 90L | 2 | 7384 | 3692 |
| 54,3 | 336 | 3,8 | 53,02 | KXBC503 | 90L | 2 | 22000 | 6903 |
| 53,9 | 351 | 2,4 | 26,71 | KXBC403 | 100LA | 4 | 18000 | 5564 |
| 53,5 | 377 | 1,2 | 17,94 | KXAC352 | 112M | 6 | 7430 | 3715 |
| 52,4 | 381 | 1,1 | 27,45 | KXAC352 | 100LA | 4 | 7514 | 3757 |
| 52,4 | 365 | 2,4 | 18,32 | KXBC403 | 112M | 6 | 18000 | 5583 |
| 51,9 | 352 | 1,8 | 55,52 | KXBC403 | 90L | 2 | 18000 | 5617 |
| 51,4 | 368 | 1,6 | 28,03 | KXBC353 | 100LA | 4 | 12000 | 3523 |
| 50,6 | 361 | 1,2 | 56,93 | KXBC353 | 90L | 2 | 12000 | 3547 |
| 50,4 | 379 | 3,9 | 19,06 | KXBC503 | 112M | 6 | 22000 | 7048 |
| 49,2 | 371 | 3,4 | 58,50 | KXBC503 | 90L | 2 | 22000 | 7112 |
| 48,8 | 388 | 2,2 | 29,50 | KXBC403 | 100LA | 4 | 18000 | 5720 |
| 48,0 | 380 | 1,7 | 59,96 | KXBC403 | 90L | 2 | 18000 | 5750 |
| 47,2 | 401 | 4,0 | 30,55 | KXBC503 | 100LA | 4 | 22000 | 7224 |
| 45,3 | 418 | 2,0 | 31,80 | KXBC403 | 100LA | 4 | 18000 | 5817 |
| 45,2 | 404 | 1,6 | 63,74 | KXBC403 | 90L | 2 | 18000 | 5849 |
| 44,4 | 411 | 3,1 | 64,89 | KXBC503 | 90L | 2 | 22000 | 7352 |
| 43,6 | 458 | 0,9 | 33,04 | KXAC352 | 100LA | 4 | 7920 | 3960 |
| 43,5 | 434 | 3,9 | 33,07 | KXBC503 | 100LA | 4 | 22000 | 7366 |
| 43,3 | 466 | 0,9 | 22,19 | KXAC352 | 112M | 6 | 7976 | 3988 |
| 43,1 | 439 | 1,4 | 33,43 | KXBC353 | 100LA | 4 | 12000 | 3653 |
| 42,8 | 446 | 1,4 | 22,39 | KXBC353 | 112M | 6 | 12000 | 3689 |
| 42,1 | 454 | 2,0 | 22,82 | KXBC403 | 112M | 6 | 18000 | 5981 |
| 42,0 | 435 | 2,9 | 68,58 | KXBC503 | 90L | 2 | 22000 | 7474 |
| 41,7 | 453 | 1,9 | 34,49 | KXBC403 | 100LA | 4 | 18000 | 5925 |
| 41,7 | 438 | 1,5 | 69,14 | KXBC403 | 90L | 2 | 18000 | 5970 |
| 41,6 | 438 | 1,0 | 69,16 | KXBC353 | 90L | 2 | 12000 | 3713 |
| 40,5 | 472 | 3,1 | 23,70 | KXBC503 | 112M | 6 | 22000 | 7592 |
| 40,1 | 471 | 3,6 | 35,87 | KXBC503 | 100LA | 4 | 22000 | 7515 |
| 39,6 | 461 | 2,8 | 72,76 | KXBC503 | 90L | 2 | 22000 | 7591 |
| 39,4 | 464 | 1,4 | 73,14 | KXBC403 | 90L | 2 | 18000 | 6073 |
| 37,3 | 507 | 1,2 | 38,58 | KXBC353 | 100LA | 4 | 12000 | 3782 |
| 36,7 | 519 | 1,2 | 26,09 | KXBC353 | 112M | 6 | 12000 | 3812 |
| 36,5 | 501 | 2,5 | 78,92 | KXBC503 | 90L | 2 | 22000 | 7791 |

2,20 kW

| n2 [rpm] | M2 [Nm] | fs | i | Gear reducer | Motor Size | Pole | Fr2 D-S-P [N] | Fr2 C [N] |
|-------------|------------|-----|--------|-----------------|---------------|------|------------------|--------------|
| 36,4 | 520 | 1,6 | 39,60 | KXBC403 | 100LA | 4 | 18000 | 6183 |
| 36,2 | 527 | 3,0 | 26,51 | KXBC503 | 112M | 6 | 22000 | 7774 |
| 35,9 | 532 | 1,7 | 26,71 | KXBC403 | 112M | 6 | 18000 | 6237 |
| 35,7 | 512 | 1,2 | 80,76 | KXBC403 | 90L | 2 | 18000 | 6225 |
| 35,0 | 540 | 3,2 | 41,12 | KXBC503 | 100LA | 4 | 22000 | 7823 |
| 34,4 | 530 | 2,5 | 83,66 | KXBC503 | 90L | 2 | 22000 | 7926 |
| 34,2 | 558 | 1,1 | 28,03 | KXBC353 | 112M | 6 | 12000 | 3844 |
| 33,5 | 564 | 1,5 | 42,95 | KXBC403 | 100LA | 4 | 18000 | 6316 |
| 33,3 | 568 | 1,0 | 43,22 | KXBC353 | 100LA | 4 | 12000 | 3878 |
| 32,5 | 587 | 1,5 | 29,50 | KXBC403 | 112M | 6 | 18000 | 6399 |
| 32,3 | 586 | 2,9 | 44,61 | KXBC503 | 100LA | 4 | 22000 | 8011 |
| 31,7 | 597 | 1,4 | 45,44 | KXBC403 | 100LA | 4 | 18000 | 6398 |
| 31,4 | 608 | 2,8 | 30,55 | KXBC503 | 112M | 6 | 22000 | 8101 |
| 31,2 | 584 | 1,1 | 92,19 | KXBC403 | 90L | 2 | 18000 | 6446 |
| 31,2 | 585 | 2,3 | 92,31 | KXBC503 | 90L | 2 | 22000 | 8140 |
| 30,4 | 621 | 2,7 | 47,28 | KXBC503 | 100LA | 4 | 22000 | 8213 |
| 30,2 | 633 | 1,4 | 31,80 | KXBC403 | 112M | 6 | 18000 | 6470 |
| 29,0 | 658 | 2,7 | 33,07 | KXBC503 | 112M | 6 | 22000 | 8288 |
| 28,7 | 660 | 2,6 | 50,24 | KXBC503 | 100LA | 4 | 22000 | 8291 |
| 28,7 | 666 | 0,9 | 33,43 | KXBC353 | 112M | 6 | 12000 | 4002 |
| 28,6 | 637 | 1,0 | 100,57 | KXBC403 | 90L | 2 | 18000 | 6592 |
| 28,3 | 667 | 0,9 | 50,81 | KXBC353 | 100LA | 4 | 12000 | 3986 |
| 28,1 | 673 | 1,2 | 51,19 | KXBC403 | 100LA | 4 | 18000 | 6618 |
| 27,8 | 686 | 1,3 | 34,49 | KXBC403 | 112M | 6 | 18000 | 6604 |
| 27,3 | 668 | 2,0 | 105,44 | KXBC503 | 90L | 2 | 22000 | 8476 |
| 27,1 | 697 | 2,5 | 53,02 | KXBC503 | 100LA | 4 | 22000 | 8419 |
| 27,0 | 676 | 3,9 | 106,65 | KXBC603 | 90L | 2 | 30000 | 11943 |
| 26,8 | 714 | 2,5 | 35,87 | KXBC503 | 112M | 6 | 22000 | 8482 |
| 25,9 | 729 | 1,2 | 55,52 | KXBC403 | 100LA | 4 | 18000 | 6729 |
| 25,1 | 727 | 1,9 | 114,80 | KXBC503 | 90L | 2 | 22000 | 8666 |
| 24,6 | 769 | 2,2 | 58,50 | KXBC503 | 100LA | 4 | 22000 | 8708 |
| 24,2 | 788 | 1,1 | 39,60 | KXBC403 | 112M | 6 | 18000 | 6832 |
| 24,1 | 758 | 3,5 | 119,60 | KXBC603 | 90L | 2 | 30000 | 12330 |
| 24,1 | 788 | 1,1 | 59,96 | KXBC403 | 100LA | 4 | 18000 | 6833 |
| 23,9 | 763 | 1,8 | 120,42 | KXBC503 | 90L | 2 | 22000 | 8784 |
| 23,7 | 806 | 3,6 | 40,53 | KXBC603 | 112M | 6 | 30000 | 12339 |
| 23,3 | 818 | 2,2 | 41,12 | KXBC503 | 112M | 6 | 22000 | 8815 |
| 23,0 | 822 | 4,0 | 62,59 | KXBC603 | 100LA | 4 | 30000 | 12471 |
| 22,6 | 837 | 1,0 | 63,74 | KXBC403 | 100LA | 4 | 18000 | 6935 |
| 22,4 | 854 | 1,0 | 42,95 | KXBC403 | 112M | 6 | 18000 | 7017 |
| 22,2 | 852 | 2,0 | 64,89 | KXBC503 | 100LA | 4 | 22000 | 8964 |
| 22,2 | 823 | 3,2 | 129,96 | KXBC603 | 90L | 2 | 30000 | 12638 |

5.1 KXBC/KXAC GEARED MOTORS (50Hz)

2,20 kW

| n2 [rpm] | M2 [Nm] | fs | i | Gear reducer | Motor Size | Pole | Fr2 D-S-P [N] | Fr2 C [N] |
|-------------|------------|-----|--------|-----------------|---------------|------|------------------|--------------|
| 21,7 | 842 | 1,6 | 132,87 | KXBC503 | 90L | 2 | 22000 | 9048 |
| 21,5 | 887 | 2,0 | 44,61 | KXBC503 | 112M | 6 | 22000 | 9095 |
| 21,4 | 893 | 3,5 | 44,89 | KXBC603 | 112M | 6 | 30000 | 12793 |
| 21,1 | 904 | 1,0 | 45,44 | KXBC403 | 112M | 6 | 18000 | 7057 |
| 21,0 | 901 | 1,9 | 68,58 | KXBC503 | 100LA | 4 | 22000 | 9102 |
| 20,8 | 908 | 0,9 | 69,14 | KXBC403 | 100LA | 4 | 18000 | 7114 |
| 20,8 | 912 | 3,7 | 69,43 | KXBC603 | 100LA | 4 | 30000 | 12849 |
| 20,3 | 941 | 1,9 | 47,28 | KXBC503 | 112M | 6 | 22000 | 9161 |
| 19,9 | 917 | 1,5 | 144,69 | KXBC503 | 90L | 2 | 22000 | 9246 |
| 19,9 | 915 | 2,9 | 144,43 | KXBC603 | 90L | 2 | 30000 | 12979 |
| 19,8 | 956 | 1,8 | 72,76 | KXBC503 | 100LA | 4 | 22000 | 9268 |
| 19,3 | 977 | 3,6 | 74,42 | KXBC603 | 100LA | 4 | 30000 | 12991 |
| 19,3 | 991 | 3,4 | 49,80 | KXBC603 | 112M | 6 | 30000 | 13148 |
| 19,1 | 1000 | 1,8 | 50,24 | KXBC503 | 112M | 6 | 22000 | 9394 |
| 18,2 | 1037 | 1,6 | 78,92 | KXBC503 | 100LA | 4 | 22000 | 9457 |
| 18,1 | 1055 | 1,7 | 53,02 | KXBC503 | 112M | 6 | 22000 | 9450 |
| 18,0 | 1015 | 2,6 | 160,23 | KXBC603 | 90L | 2 | 30000 | 13342 |
| 18,0 | 1051 | 3,4 | 80,04 | KXBC603 | 100LA | 4 | 30000 | 13242 |
| 17,7 | 1080 | 3,1 | 54,30 | KXBC603 | 112M | 6 | 30000 | 13446 |
| 17,4 | 1047 | 1,3 | 165,25 | KXBC503 | 90L | 2 | 22000 | 9587 |
| 17,2 | 1099 | 1,6 | 83,66 | KXBC503 | 100LA | 4 | 22000 | 9588 |
| 16,4 | 1164 | 1,5 | 58,50 | KXBC503 | 112M | 6 | 22000 | 9701 |
| 16,2 | 1181 | 2,8 | 59,36 | KXBC603 | 112M | 6 | 30000 | 13644 |
| 16,0 | 1180 | 2,9 | 89,87 | KXBC603 | 100LA | 4 | 30000 | 13741 |
| 16,0 | 1143 | 2,3 | 180,40 | KXBC603 | 90L | 2 | 30000 | 13784 |
| 15,6 | 1213 | 1,5 | 92,31 | KXBC503 | 100LA | 4 | 22000 | 9805 |
| 15,3 | 1236 | 4,1 | 94,13 | KXBC703 | 100LA | 4 | 40000 | 40000 |
| 15,3 | 1245 | 2,8 | 62,59 | KXBC603 | 112M | 6 | 30000 | 13828 |
| 14,8 | 1291 | 1,4 | 64,89 | KXBC503 | 112M | 6 | 22000 | 9967 |
| 14,8 | 1290 | 4,0 | 64,88 | KXBC703 | 112M | 6 | 40000 | 40000 |
| 14,4 | 1310 | 2,6 | 99,70 | KXBC603 | 100LA | 4 | 30000 | 14103 |
| 14,0 | 1364 | 1,3 | 68,58 | KXBC503 | 112M | 6 | 22000 | 10110 |
| 13,8 | 1381 | 2,5 | 69,43 | KXBC603 | 112M | 6 | 30000 | 14298 |
| 13,7 | 1385 | 1,3 | 105,44 | KXBC503 | 100LA | 4 | 22000 | 10185 |
| 13,6 | 1390 | 3,6 | 105,83 | KXBC703 | 100LA | 4 | 40000 | 40000 |
| 13,6 | 1401 | 3,7 | 70,43 | KXBC703 | 112M | 6 | 40000 | 40000 |
| 13,5 | 1400 | 2,5 | 106,65 | KXBC603 | 100LA | 4 | 30000 | 14338 |
| 13,2 | 1447 | 1,2 | 72,76 | KXBC503 | 112M | 6 | 22000 | 10345 |
| 12,9 | 1480 | 2,5 | 74,42 | KXBC603 | 112M | 6 | 30000 | 14538 |
| 12,9 | 1470 | 3,4 | 111,94 | KXBC703 | 100LA | 4 | 40000 | 40000 |
| 12,6 | 1508 | 1,2 | 114,80 | KXBC503 | 100LA | 4 | 22000 | 10443 |
| 12,5 | 1535 | 3,4 | 77,12 | KXBC703 | 112M | 6 | 40000 | 40000 |

2,20 kW

| n2 [rpm] | M2 [Nm] | fs | i | Gear reducer | Motor Size | Pole | Fr2 D-S-P [N] | Fr2 C [N] |
|-------------|------------|-----|--------|-----------------|---------------|------|------------------|--------------|
| 12,2 | 1570 | 1,1 | 78,92 | KXBC503 | 112M | 6 | 22000 | 10556 |
| 12,1 | 1571 | 2,2 | 119,60 | KXBC603 | 100LA | 4 | 30000 | 14736 |
| 12,0 | 1593 | 2,3 | 80,04 | KXBC603 | 112M | 6 | 30000 | 14789 |
| 12,0 | 1582 | 1,1 | 120,42 | KXBC503 | 100LA | 4 | 22000 | 10567 |
| 11,6 | 1637 | 3,0 | 124,62 | KXBC703 | 100LA | 4 | 40000 | 40000 |
| 11,5 | 1664 | 1,1 | 83,66 | KXBC503 | 112M | 6 | 22000 | 10707 |
| 11,3 | 1702 | 3,1 | 85,54 | KXBC703 | 112M | 6 | 40000 | 40000 |
| 11,1 | 1707 | 2,1 | 129,96 | KXBC603 | 100LA | 4 | 30000 | 14974 |
| 10,8 | 1745 | 1,0 | 132,87 | KXBC503 | 100LA | 4 | 22000 | 10787 |
| 10,7 | 1788 | 2,1 | 89,87 | KXBC603 | 112M | 6 | 30000 | 15076 |
| 10,6 | 1792 | 2,8 | 136,44 | KXBC703 | 100LA | 4 | 40000 | 40000 |
| 10,4 | 1837 | 1,0 | 92,31 | KXBC503 | 112M | 6 | 22000 | 10961 |
| 10,2 | 1873 | 2,8 | 94,13 | KXBC703 | 112M | 6 | 40000 | 40000 |
| 10,0 | 1897 | 1,8 | 144,43 | KXBC603 | 100LA | 4 | 30000 | 15335 |
| 9,9 | 1900 | 0,9 | 144,69 | KXBC503 | 100LA | 4 | 22000 | 11044 |
| 9,6 | 1964 | 2,5 | 149,59 | KXBC703 | 100LA | 4 | 40000 | 40000 |
| 9,6 | 1983 | 1,9 | 99,70 | KXBC603 | 112M | 6 | 30000 | 15533 |
| 9,1 | 2098 | 0,9 | 105,44 | KXBC503 | 112M | 6 | 22000 | 11220 |
| 9,1 | 2105 | 2,5 | 105,83 | KXBC703 | 112M | 6 | 40000 | 40000 |
| 9,0 | 2104 | 1,6 | 160,23 | KXBC603 | 100LA | 4 | 30000 | 15730 |
| 9,0 | 2122 | 1,7 | 106,65 | KXBC603 | 112M | 6 | 30000 | 15651 |
| 8,6 | 2187 | 2,3 | 166,53 | KXBC703 | 100LA | 4 | 40000 | 40000 |
| 8,6 | 2227 | 2,4 | 111,94 | KXBC703 | 112M | 6 | 40000 | 40000 |
| 8,1 | 2379 | 1,5 | 119,60 | KXBC603 | 112M | 6 | 30000 | 16124 |
| 8,0 | 2369 | 1,5 | 180,40 | KXBC603 | 100LA | 4 | 30000 | 16072 |
| 7,7 | 2479 | 2,2 | 124,62 | KXBC703 | 112M | 6 | 40000 | 40000 |
| 7,7 | 2459 | 2,0 | 187,24 | KXBC703 | 100LA | 4 | 40000 | 40000 |
| 7,4 | 2586 | 1,4 | 129,96 | KXBC603 | 112M | 6 | 30000 | 16382 |
| 7,0 | 2715 | 2,0 | 136,44 | KXBC703 | 112M | 6 | 40000 | 40000 |
| 6,6 | 2873 | 1,2 | 144,43 | KXBC603 | 112M | 6 | 30000 | 16697 |
| 6,4 | 2976 | 1,8 | 149,59 | KXBC703 | 112M | 6 | 40000 | 40000 |
| 6,0 | 3188 | 1,2 | 160,23 | KXBC603 | 112M | 6 | 30000 | 16901 |
| 5,8 | 3313 | 1,5 | 166,53 | KXBC703 | 112M | 6 | 40000 | 40000 |
| 5,4 | 3589 | 1,0 | 180,40 | KXBC603 | 112M | 6 | 30000 | 17295 |
| 5,1 | 3725 | 1,4 | 187,24 | KXBC703 | 112M | 6 | 40000 | 40000 |

3,00 kW

| n2 [rpm] | M2 [Nm] | fs | i | Gear reducer | Motor Size | Pole | Fr2 D-S-P [N] | Fr2 C [N] |
|-------------|------------|-----|-------|-----------------|---------------|------|------------------|--------------|
| 347,0 | 76 | 3,5 | 8,36 | KXAC352 | 100L | 2 | 3984 | 1992 |
| 288,3 | 91 | 2,9 | 10,06 | KXAC352 | 100L | 2 | 4253 | 2127 |
| 253,7 | 102 | 2,9 | 5,71 | KXBC353 | 112MS | 4 | 7788 | 2225 |

5.1 KXBC/KXAC GEARED MOTORS (50Hz)

3,00 kW

| n2 [rpm] | M2 [Nm] | fs | i | Gear reducer | Motor Size | Pole | Fr2 D-S-P [N] | Fr2 C [N] |
|-------------|------------|-----|-------|-----------------|---------------|------|------------------|--------------|
| 233,1 | 113 | 2,3 | 12,44 | KXAC352 | 100L | 2 | 4550 | 2275 |
| 220,5 | 113 | 3,9 | 13,15 | KXBC353 | 100L | 2 | 8129 | 2322 |
| 210,8 | 122 | 2,8 | 6,88 | KXBC353 | 112MS | 4 | 8215 | 2347 |
| 198,0 | 130 | 2,7 | 7,32 | KXBC353 | 112MS | 4 | 8362 | 2389 |
| 194,5 | 135 | 2,3 | 14,91 | KXAC352 | 100L | 2 | 4832 | 2416 |
| 191,1 | 131 | 3,4 | 15,18 | KXBC353 | 100L | 2 | 8493 | 2427 |
| 185,7 | 139 | 3,6 | 7,81 | KXBC403 | 112MS | 4 | 13279 | 3794 |
| 173,5 | 157 | 2,2 | 8,36 | KXAC352 | 112MS | 4 | 5020 | 2510 |
| 170,6 | 146 | 3,1 | 17,00 | KXBC353 | 100L | 2 | 8743 | 2498 |
| 168,2 | 153 | 3,9 | 8,62 | KXBC403 | 112MS | 4 | 13681 | 3909 |
| 161,6 | 163 | 1,9 | 17,94 | KXAC352 | 100L | 2 | 5140 | 2570 |
| 158,3 | 163 | 2,8 | 9,16 | KXBC353 | 112MS | 4 | 8901 | 2543 |
| 144,1 | 189 | 1,9 | 10,06 | KXAC352 | 112MS | 4 | 5340 | 2670 |
| 141,3 | 183 | 2,8 | 10,26 | KXBC353 | 112MS | 4 | 9181 | 2623 |
| 138,2 | 187 | 3,5 | 10,49 | KXBC403 | 112MS | 4 | 14504 | 4144 |
| 131,5 | 196 | 2,8 | 11,03 | KXBC353 | 112MS | 4 | 9360 | 2674 |
| 130,7 | 201 | 1,6 | 22,19 | KXAC352 | 100L | 2 | 5518 | 2759 |
| 129,5 | 192 | 2,3 | 22,39 | KXBC353 | 100L | 2 | 9429 | 2694 |
| 127,1 | 196 | 3,3 | 22,82 | KXBC403 | 100L | 2 | 14894 | 4255 |
| 125,1 | 206 | 3,6 | 11,59 | KXBC403 | 112MS | 4 | 14932 | 4266 |
| 124,2 | 210 | 2,5 | 7,81 | KXBC403 | 132S | 6 | 14957 | 4273 |
| 119,4 | 218 | 3,8 | 8,13 | KXBC503 | 132S | 6 | 18751 | 5357 |
| 117,4 | 220 | 2,6 | 12,35 | KXBC353 | 112MS | 4 | 9645 | 2756 |
| 116,5 | 234 | 1,5 | 12,44 | KXAC352 | 112MS | 4 | 5732 | 2866 |
| 112,5 | 232 | 2,7 | 8,62 | KXBC403 | 132S | 6 | 15394 | 4398 |
| 111,2 | 224 | 2,0 | 26,09 | KXBC353 | 100L | 2 | 9819 | 2805 |
| 110,3 | 234 | 2,5 | 13,15 | KXBC353 | 112MS | 4 | 9802 | 2801 |
| 108,5 | 230 | 2,8 | 26,71 | KXBC403 | 100L | 2 | 15643 | 4469 |
| 108,2 | 241 | 3,9 | 8,97 | KXBC503 | 132S | 6 | 19326 | 5522 |
| 105,6 | 249 | 1,3 | 27,45 | KXAC352 | 100L | 2 | 5923 | 2961 |
| 103,5 | 241 | 1,9 | 28,03 | KXBC353 | 100L | 2 | 10003 | 2858 |
| 100,5 | 257 | 3,2 | 14,43 | KXBC403 | 112MS | 4 | 15911 | 4546 |
| 98,3 | 253 | 2,5 | 29,50 | KXBC403 | 100L | 2 | 16096 | 4599 |
| 97,3 | 280 | 1,5 | 14,91 | KXAC352 | 112MS | 4 | 6088 | 3044 |
| 95,5 | 270 | 2,2 | 15,18 | KXBC353 | 112MS | 4 | 10165 | 2904 |
| 92,5 | 282 | 2,4 | 10,49 | KXBC403 | 132S | 6 | 16331 | 4666 |
| 91,2 | 273 | 2,3 | 31,80 | KXBC403 | 100L | 2 | 16446 | 4699 |
| 88,8 | 293 | 3,6 | 10,92 | KXBC503 | 132S | 6 | 20520 | 5863 |
| 87,8 | 299 | 1,1 | 33,04 | KXAC352 | 100L | 2 | 6300 | 3150 |
| 87,4 | 295 | 2,9 | 16,60 | KXBC403 | 112MS | 4 | 16556 | 4730 |
| 86,7 | 287 | 1,6 | 33,43 | KXBC353 | 100L | 2 | 10458 | 2988 |
| 85,3 | 302 | 2,0 | 17,00 | KXBC353 | 112MS | 4 | 10454 | 2987 |

3,00 kW

| n2 [rpm] | M2 [Nm] | fs | i | Gear reducer | Motor Size | Pole | Fr2 D-S-P [N] | Fr2 C [N] |
|-------------|------------|-----|-------|-----------------|---------------|------|------------------|--------------|
| 84,1 | 296 | 2,2 | 34,49 | KXBC403 | 100L | 2 | 16780 | 4794 |
| 83,7 | 311 | 2,5 | 11,59 | KXBC403 | 132S | 6 | 16744 | 4784 |
| 80,8 | 337 | 1,2 | 17,94 | KXAC352 | 112MS | 4 | 6476 | 3238 |
| 80,5 | 324 | 3,2 | 12,05 | KXBC503 | 132S | 6 | 21138 | 6039 |
| 79,1 | 326 | 2,6 | 18,32 | KXBC403 | 112MS | 4 | 17022 | 4863 |
| 75,2 | 331 | 1,4 | 38,58 | KXBC353 | 100L | 2 | 10827 | 3093 |
| 73,2 | 340 | 1,9 | 39,60 | KXBC403 | 100L | 2 | 17440 | 4983 |
| 70,5 | 353 | 3,6 | 41,12 | KXBC503 | 100L | 2 | 22000 | 6316 |
| 67,5 | 369 | 1,7 | 42,95 | KXBC403 | 100L | 2 | 17836 | 5096 |
| 67,2 | 387 | 2,2 | 14,43 | KXBC403 | 132S | 6 | 17787 | 5082 |
| 67,1 | 371 | 1,2 | 43,22 | KXBC353 | 100L | 2 | 11144 | 3184 |
| 65,3 | 417 | 1,0 | 22,19 | KXAC352 | 112MS | 4 | 6952 | 3476 |
| 65,0 | 383 | 3,3 | 44,61 | KXBC503 | 100L | 2 | 22000 | 6451 |
| 64,8 | 398 | 1,5 | 22,39 | KXBC353 | 112MS | 4 | 11145 | 3184 |
| 64,8 | 403 | 3,1 | 14,99 | KXBC503 | 132S | 6 | 22000 | 6465 |
| 63,8 | 390 | 1,6 | 45,44 | KXBC403 | 100L | 2 | 18000 | 5175 |
| 63,5 | 406 | 2,1 | 22,82 | KXBC403 | 112MS | 4 | 18000 | 5164 |
| 61,3 | 406 | 3,1 | 47,28 | KXBC503 | 100L | 2 | 22000 | 6564 |
| 61,2 | 421 | 3,3 | 23,70 | KXBC503 | 112MS | 4 | 22000 | 6556 |
| 58,5 | 446 | 2,0 | 16,60 | KXBC403 | 132S | 6 | 18000 | 5276 |
| 57,7 | 432 | 2,9 | 50,24 | KXBC503 | 100L | 2 | 22000 | 6703 |
| 57,1 | 436 | 1,0 | 50,81 | KXBC353 | 100L | 2 | 11551 | 3300 |
| 56,7 | 439 | 1,4 | 51,19 | KXBC403 | 100L | 2 | 18000 | 5358 |
| 56,2 | 464 | 3,1 | 17,27 | KXBC503 | 132S | 6 | 22000 | 6740 |
| 55,6 | 464 | 1,3 | 26,09 | KXBC353 | 112MS | 4 | 11518 | 3291 |
| 54,7 | 471 | 3,2 | 26,51 | KXBC503 | 112MS | 4 | 22000 | 6776 |
| 54,7 | 455 | 2,8 | 53,02 | KXBC503 | 100L | 2 | 22000 | 6810 |
| 54,3 | 475 | 1,8 | 26,71 | KXBC403 | 112MS | 4 | 18000 | 5385 |
| 52,9 | 492 | 1,8 | 18,32 | KXBC403 | 132S | 6 | 18000 | 5415 |
| 52,2 | 476 | 1,3 | 55,52 | KXBC403 | 100L | 2 | 18000 | 5474 |
| 51,7 | 498 | 1,2 | 28,03 | KXBC353 | 112MS | 4 | 11689 | 3340 |
| 50,9 | 512 | 2,9 | 19,06 | KXBC503 | 132S | 6 | 22000 | 6914 |
| 49,6 | 502 | 2,5 | 58,50 | KXBC503 | 100L | 2 | 22000 | 6987 |
| 49,2 | 525 | 1,6 | 29,50 | KXBC403 | 112MS | 4 | 18000 | 5525 |
| 48,4 | 515 | 1,2 | 59,96 | KXBC403 | 100L | 2 | 18000 | 5585 |
| 47,5 | 543 | 2,9 | 30,55 | KXBC503 | 112MS | 4 | 22000 | 7060 |
| 45,6 | 565 | 1,5 | 31,80 | KXBC403 | 112MS | 4 | 18000 | 5632 |
| 45,5 | 547 | 1,2 | 63,74 | KXBC403 | 100L | 2 | 18000 | 5673 |
| 44,7 | 557 | 2,3 | 64,89 | KXBC503 | 100L | 2 | 22000 | 7221 |
| 43,9 | 588 | 2,9 | 33,07 | KXBC503 | 112MS | 4 | 22000 | 7222 |
| 43,4 | 595 | 1,0 | 33,43 | KXBC353 | 112MS | 4 | 12000 | 3454 |
| 42,5 | 613 | 1,5 | 22,82 | KXBC403 | 132S | 6 | 18000 | 5725 |

3,00 kW

| n2 [rpm] | M2 [Nm] | fs | i | Gear reducer | Motor Size | Pole | Fr2 D-S-P [N] | Fr2 C [N] |
|-------------|------------|-----|--------|-----------------|---------------|------|------------------|--------------|
| 42,3 | 589 | 2,1 | 68,58 | KXBC503 | 100L | 2 | 22000 | 7336 |
| 42,0 | 613 | 1,4 | 34,49 | KXBC403 | 112MS | 4 | 18000 | 5747 |
| 41,9 | 593 | 1,1 | 69,14 | KXBC403 | 100L | 2 | 18000 | 5775 |
| 40,9 | 636 | 2,3 | 23,70 | KXBC503 | 132S | 6 | 22000 | 7381 |
| 40,4 | 638 | 2,7 | 35,87 | KXBC503 | 112MS | 4 | 22000 | 7390 |
| 39,8 | 624 | 2,0 | 72,76 | KXBC503 | 100L | 2 | 22000 | 7460 |
| 39,6 | 628 | 1,0 | 73,14 | KXBC403 | 100L | 2 | 18000 | 5857 |
| 36,7 | 677 | 1,9 | 78,92 | KXBC503 | 100L | 2 | 22000 | 7611 |
| 36,6 | 704 | 1,2 | 39,60 | KXBC403 | 112MS | 4 | 18000 | 5943 |
| 36,6 | 712 | 2,2 | 26,51 | KXBC503 | 132S | 6 | 22000 | 7595 |
| 36,3 | 718 | 1,2 | 26,71 | KXBC403 | 132S | 6 | 18000 | 5962 |
| 36,2 | 687 | 3,8 | 80,04 | KXBC603 | 100L | 2 | 30000 | 10742 |
| 35,8 | 721 | 3,9 | 40,53 | KXBC603 | 112MS | 4 | 30000 | 10747 |
| 35,3 | 731 | 2,3 | 41,12 | KXBC503 | 112MS | 4 | 22000 | 7679 |
| 35,3 | 739 | 4,0 | 27,51 | KXBC603 | 132S | 6 | 30000 | 10779 |
| 34,7 | 718 | 1,9 | 83,66 | KXBC503 | 100L | 2 | 22000 | 7737 |
| 33,8 | 764 | 1,1 | 42,95 | KXBC403 | 112MS | 4 | 18000 | 6058 |
| 32,9 | 792 | 1,1 | 29,50 | KXBC403 | 132S | 6 | 18000 | 6086 |
| 32,5 | 793 | 2,1 | 44,61 | KXBC503 | 112MS | 4 | 22000 | 7853 |
| 32,3 | 798 | 3,8 | 44,89 | KXBC603 | 112MS | 4 | 30000 | 11046 |
| 32,3 | 771 | 3,4 | 89,87 | KXBC603 | 100L | 2 | 30000 | 11085 |
| 31,9 | 808 | 1,1 | 45,44 | KXBC403 | 112MS | 4 | 18000 | 6137 |
| 31,7 | 820 | 2,0 | 30,55 | KXBC503 | 132S | 6 | 22000 | 7920 |
| 31,5 | 827 | 3,6 | 30,79 | KXBC603 | 132S | 6 | 30000 | 11109 |
| 31,4 | 792 | 1,7 | 92,31 | KXBC503 | 100L | 2 | 22000 | 7950 |
| 31,0 | 839 | 3,5 | 31,26 | KXBC603 | 132S | 6 | 30000 | 11184 |
| 30,7 | 841 | 2,0 | 47,28 | KXBC503 | 112MS | 4 | 22000 | 7979 |
| 30,5 | 854 | 1,0 | 31,80 | KXBC403 | 132S | 6 | 18000 | 6205 |
| 29,3 | 888 | 2,0 | 33,07 | KXBC503 | 132S | 6 | 22000 | 8069 |
| 29,1 | 855 | 3,0 | 99,70 | KXBC603 | 100L | 2 | 30000 | 11427 |
| 29,1 | 886 | 3,6 | 49,80 | KXBC603 | 112MS | 4 | 30000 | 11353 |
| 28,9 | 893 | 1,9 | 50,24 | KXBC503 | 112MS | 4 | 22000 | 8111 |
| 28,3 | 910 | 0,9 | 51,19 | KXBC403 | 112MS | 4 | 18000 | 6302 |
| 28,1 | 926 | 1,0 | 34,49 | KXBC403 | 132S | 6 | 18000 | 6316 |
| 28,0 | 931 | 3,1 | 34,68 | KXBC603 | 132S | 6 | 30000 | 11491 |
| 27,5 | 905 | 1,5 | 105,44 | KXBC503 | 100L | 2 | 22000 | 8244 |
| 27,3 | 943 | 1,8 | 53,02 | KXBC503 | 112MS | 4 | 22000 | 8229 |
| 27,2 | 915 | 2,8 | 106,65 | KXBC603 | 100L | 2 | 30000 | 11631 |
| 27,0 | 963 | 1,9 | 35,87 | KXBC503 | 132S | 6 | 22000 | 8246 |
| 26,7 | 966 | 3,3 | 54,30 | KXBC603 | 112MS | 4 | 30000 | 11610 |
| 25,9 | 960 | 3,9 | 111,94 | KXBC703 | 100L | 2 | 39586 | 39586 |
| 25,3 | 985 | 1,4 | 114,80 | KXBC503 | 100L | 2 | 22000 | 8433 |

3,00 kW

| n2 [rpm] | M2 [Nm] | fs | i | Gear reducer | Motor Size | Pole | Fr2 D-S-P [N] | Fr2 C [N] |
|-------------|------------|-----|--------|-----------------|---------------|------|------------------|--------------|
| 24,8 | 1040 | 1,6 | 58,50 | KXBC503 | 112MS | 4 | 22000 | 8446 |
| 24,4 | 1056 | 3,0 | 59,36 | KXBC603 | 112MS | 4 | 30000 | 11876 |
| 24,3 | 1026 | 2,5 | 119,60 | KXBC603 | 100L | 2 | 30000 | 11978 |
| 24,0 | 1033 | 1,3 | 120,42 | KXBC503 | 100L | 2 | 22000 | 8564 |
| 23,9 | 1089 | 2,7 | 40,53 | KXBC603 | 132S | 6 | 30000 | 11954 |
| 23,5 | 1105 | 1,6 | 41,12 | KXBC503 | 132S | 6 | 22000 | 8570 |
| 23,3 | 1069 | 3,5 | 124,62 | KXBC703 | 100L | 2 | 40000 | 40000 |
| 23,2 | 1113 | 3,0 | 62,59 | KXBC603 | 112MS | 4 | 30000 | 12034 |
| 22,3 | 1115 | 2,3 | 129,96 | KXBC603 | 100L | 2 | 30000 | 12231 |
| 22,3 | 1154 | 1,5 | 64,89 | KXBC503 | 112MS | 4 | 22000 | 8676 |
| 21,8 | 1140 | 1,2 | 132,87 | KXBC503 | 100L | 2 | 22000 | 8787 |
| 21,7 | 1198 | 1,5 | 44,61 | KXBC503 | 132S | 6 | 22000 | 8728 |
| 21,6 | 1205 | 2,6 | 44,89 | KXBC603 | 132S | 6 | 30000 | 12258 |
| 21,3 | 1171 | 3,2 | 136,44 | KXBC703 | 100L | 2 | 40000 | 40000 |
| 21,1 | 1219 | 1,4 | 68,58 | KXBC503 | 112MS | 4 | 22000 | 8800 |
| 20,9 | 1235 | 2,7 | 69,43 | KXBC603 | 112MS | 4 | 30000 | 12345 |
| 20,6 | 1253 | 4,0 | 70,43 | KXBC703 | 112MS | 4 | 40000 | 40000 |
| 20,5 | 1270 | 1,4 | 47,28 | KXBC503 | 132S | 6 | 22000 | 8857 |
| 20,1 | 1239 | 2,1 | 144,43 | KXBC603 | 100L | 2 | 30000 | 12553 |
| 20,0 | 1241 | 1,1 | 144,69 | KXBC503 | 100L | 2 | 22000 | 8980 |
| 19,9 | 1294 | 1,3 | 72,76 | KXBC503 | 112MS | 4 | 22000 | 8932 |
| 19,5 | 1337 | 2,5 | 49,80 | KXBC603 | 132S | 6 | 30000 | 12566 |
| 19,5 | 1323 | 2,6 | 74,42 | KXBC603 | 112MS | 4 | 30000 | 12551 |
| 19,4 | 1284 | 2,9 | 149,59 | KXBC703 | 100L | 2 | 40000 | 40000 |
| 19,3 | 1349 | 1,3 | 50,24 | KXBC503 | 132S | 6 | 22000 | 8992 |
| 18,8 | 1371 | 3,6 | 77,12 | KXBC703 | 112MS | 4 | 40000 | 40000 |
| 18,4 | 1403 | 1,2 | 78,92 | KXBC503 | 112MS | 4 | 22000 | 9114 |
| 18,3 | 1424 | 1,3 | 53,02 | KXBC503 | 132S | 6 | 22000 | 9112 |
| 18,3 | 1427 | 3,6 | 53,16 | KXBC703 | 132S | 6 | 40000 | 40000 |
| 18,1 | 1423 | 2,5 | 80,04 | KXBC603 | 112MS | 4 | 30000 | 12768 |
| 18,1 | 1375 | 1,9 | 160,23 | KXBC603 | 100L | 2 | 30000 | 12836 |
| 17,9 | 1458 | 2,3 | 54,30 | KXBC603 | 132S | 6 | 30000 | 12790 |
| 17,8 | 1467 | 3,6 | 54,63 | KXBC703 | 132S | 6 | 40000 | 40000 |
| 17,4 | 1429 | 2,6 | 166,53 | KXBC703 | 100L | 2 | 40000 | 40000 |
| 17,3 | 1488 | 1,2 | 83,66 | KXBC503 | 112MS | 4 | 22000 | 9244 |
| 17,0 | 1521 | 3,3 | 85,54 | KXBC703 | 112MS | 4 | 40000 | 40000 |
| 16,6 | 1571 | 1,1 | 58,50 | KXBC503 | 132S | 6 | 22000 | 9330 |
| 16,5 | 1585 | 3,3 | 59,02 | KXBC703 | 132S | 6 | 40000 | 40000 |
| 16,3 | 1594 | 2,1 | 59,36 | KXBC603 | 132S | 6 | 30000 | 13051 |
| 16,1 | 1598 | 2,2 | 89,87 | KXBC603 | 112MS | 4 | 30000 | 13108 |
| 16,1 | 1548 | 1,7 | 180,40 | KXBC603 | 100L | 2 | 30000 | 13193 |
| 15,7 | 1641 | 1,1 | 92,31 | KXBC503 | 112MS | 4 | 22000 | 9463 |

3,00 kW

| n2 [rpm] | M2 [Nm] | fs | i | Gear reducer | Motor Size | Pole | Fr2 D-S-P [N] | Fr2 C [N] |
|-------------|------------|-----|--------|-----------------|---------------|------|------------------|--------------|
| 15,5 | 1607 | 2,3 | 187,24 | KXBC703 | 100L | 2 | 40000 | 40000 |
| 15,5 | 1681 | 2,0 | 62,59 | KXBC603 | 132S | 6 | 30000 | 13234 |
| 15,4 | 1674 | 3,0 | 94,13 | KXBC703 | 112MS | 4 | 40000 | 40000 |
| 15,0 | 1742 | 3,0 | 64,88 | KXBC703 | 132S | 6 | 40000 | 40000 |
| 14,9 | 1742 | 1,0 | 64,89 | KXBC503 | 132S | 6 | 22000 | 9559 |
| 14,5 | 1773 | 2,0 | 99,70 | KXBC603 | 112MS | 4 | 30000 | 13409 |
| 14,1 | 1841 | 1,0 | 68,58 | KXBC503 | 132S | 6 | 22000 | 9680 |
| 13,9 | 1865 | 1,8 | 69,43 | KXBC603 | 132S | 6 | 30000 | 13529 |
| 13,8 | 1875 | 1,0 | 105,44 | KXBC503 | 112MS | 4 | 22000 | 9756 |
| 13,7 | 1891 | 2,7 | 70,43 | KXBC703 | 132S | 6 | 40000 | 40000 |
| 13,7 | 1882 | 2,7 | 105,83 | KXBC703 | 112MS | 4 | 40000 | 40000 |
| 13,6 | 1897 | 1,8 | 106,65 | KXBC603 | 112MS | 4 | 30000 | 13601 |
| 13,3 | 1954 | 0,9 | 72,76 | KXBC503 | 132S | 6 | 22000 | 9830 |
| 13,0 | 1998 | 1,8 | 74,42 | KXBC603 | 132S | 6 | 30000 | 13721 |
| 13,0 | 1991 | 2,5 | 111,94 | KXBC703 | 112MS | 4 | 40000 | 40000 |
| 12,5 | 2070 | 2,5 | 77,12 | KXBC703 | 132S | 6 | 40000 | 40000 |
| 12,1 | 2149 | 1,7 | 80,04 | KXBC603 | 132S | 6 | 30000 | 13891 |
| 12,1 | 2127 | 1,6 | 119,60 | KXBC603 | 112MS | 4 | 30000 | 13918 |
| 11,6 | 2216 | 2,3 | 124,62 | KXBC703 | 112MS | 4 | 40000 | 40000 |
| 11,5 | 2253 | 3,7 | 83,89 | KXBC903 | 132S | 6 | 65000 | 65000 |
| 11,3 | 2297 | 2,3 | 85,54 | KXBC703 | 132S | 6 | 40000 | 40000 |
| 11,2 | 2311 | 1,5 | 129,96 | KXBC603 | 112MS | 4 | 30000 | 14141 |
| 11,1 | 2354 | 3,5 | 87,65 | KXBC903 | 132S | 6 | 65000 | 65000 |
| 10,8 | 2413 | 1,5 | 89,87 | KXBC603 | 132S | 6 | 30000 | 14196 |
| 10,6 | 2426 | 2,1 | 136,44 | KXBC703 | 112MS | 4 | 40000 | 40000 |
| 10,4 | 2498 | 3,4 | 93,05 | KXBC903 | 132S | 6 | 65000 | 65000 |
| 10,3 | 2527 | 2,1 | 94,13 | KXBC703 | 132S | 6 | 40000 | 40000 |
| 10,0 | 2568 | 1,4 | 144,43 | KXBC603 | 112MS | 4 | 30000 | 14412 |
| 9,7 | 2677 | 1,4 | 99,70 | KXBC603 | 132S | 6 | 30000 | 14480 |
| 9,7 | 2660 | 1,9 | 149,59 | KXBC703 | 112MS | 4 | 40000 | 40000 |
| 9,4 | 2768 | 3,0 | 103,12 | KXBC903 | 132S | 6 | 65000 | 65000 |
| 9,2 | 2841 | 1,8 | 105,83 | KXBC703 | 132S | 6 | 40000 | 40000 |
| 9,1 | 2863 | 1,3 | 106,65 | KXBC603 | 132S | 6 | 30000 | 14638 |
| 9,0 | 2849 | 1,2 | 160,23 | KXBC603 | 112MS | 4 | 30000 | 14663 |
| 8,7 | 2961 | 1,7 | 166,53 | KXBC703 | 112MS | 4 | 40000 | 40000 |
| 8,7 | 3006 | 1,7 | 111,94 | KXBC703 | 132S | 6 | 40000 | 40000 |
| 8,1 | 3211 | 1,1 | 119,60 | KXBC603 | 132S | 6 | 30000 | 14865 |
| 8,0 | 3208 | 1,1 | 180,40 | KXBC603 | 112MS | 4 | 30000 | 14926 |
| 7,8 | 3346 | 1,6 | 124,62 | KXBC703 | 132S | 6 | 40000 | 40000 |
| 7,8 | 3326 | 2,5 | 123,88 | KXBC903 | 132S | 6 | 65000 | 65000 |
| 7,7 | 3330 | 1,5 | 187,24 | KXBC703 | 112MS | 4 | 40000 | 40000 |
| 7,5 | 3490 | 1,0 | 129,96 | KXBC603 | 132S | 6 | 30000 | 15050 |

5.1 KXBC/KXAC GEARED MOTORS (50Hz)

3,00 kW

| n2 [rpm] | M2 [Nm] | fs | i | Gear reducer | Size | Motor Pole | Fr2 D-S-P [N] | Fr2 C [N] |
|----------|---------|-----|--------|--------------|------|------------|---------------|-----------|
| 7,2 | 3605 | 2,3 | 134,27 | KXBC903 | 132S | 6 | 65000 | 65000 |
| 7,1 | 3663 | 1,4 | 136,44 | KXBC703 | 132S | 6 | 40000 | 40000 |
| 6,7 | 3878 | 0,9 | 144,43 | KXBC603 | 132S | 6 | 30000 | 15215 |
| 6,5 | 4016 | 1,3 | 149,59 | KXBC703 | 132S | 6 | 40000 | 40000 |
| 6,5 | 4007 | 2,1 | 149,26 | KXBC903 | 132S | 6 | 65000 | 65000 |
| 5,9 | 4441 | 1,9 | 165,42 | KXBC903 | 132S | 6 | 65000 | 65000 |
| 5,9 | 4472 | 1,2 | 166,53 | KXBC703 | 132S | 6 | 40000 | 40000 |
| 5,2 | 5027 | 1,0 | 187,24 | KXBC703 | 132S | 6 | 40000 | 40000 |

4,00 kW

| n2 [rpm] | M2 [Nm] | fs | i | Gear reducer | Size | Motor Pole | Fr2 D-S-P [N] | Fr2 C [N] |
|----------|---------|-----|-------|--------------|------|------------|---------------|-----------|
| 512,7 | 65 | 3,4 | 5,71 | KXBC353 | 112M | 2 | 6246 | 1785 |
| 426,0 | 78 | 3,2 | 6,88 | KXBC353 | 112M | 2 | 6620 | 1891 |
| 400,1 | 83 | 3,1 | 7,32 | KXBC353 | 112M | 2 | 6742 | 1926 |
| 350,6 | 100 | 2,6 | 8,36 | KXAC352 | 112M | 2 | 3971 | 1985 |
| 319,8 | 104 | 3,3 | 9,16 | KXBC353 | 112M | 2 | 7172 | 2049 |
| 291,3 | 120 | 2,2 | 10,06 | KXAC352 | 112M | 2 | 4224 | 2112 |
| 285,5 | 116 | 3,4 | 10,26 | KXBC353 | 112M | 2 | 7408 | 2116 |
| 265,7 | 125 | 3,2 | 11,03 | KXBC353 | 112M | 2 | 7559 | 2160 |
| 253,7 | 136 | 2,1 | 5,71 | KXBC353 | 112M | 4 | 7635 | 2182 |
| 237,2 | 140 | 3,1 | 12,35 | KXBC353 | 112M | 2 | 7801 | 2229 |
| 235,5 | 149 | 1,8 | 12,44 | KXAC352 | 112M | 2 | 4534 | 2267 |
| 222,8 | 149 | 3,0 | 13,15 | KXBC353 | 112M | 2 | 7936 | 2268 |
| 210,8 | 163 | 2,1 | 6,88 | KXBC353 | 112M | 4 | 8031 | 2295 |
| 203,1 | 163 | 3,7 | 14,43 | KXBC403 | 112M | 2 | 12816 | 3662 |
| 198,0 | 174 | 2,0 | 7,32 | KXBC353 | 112M | 4 | 8167 | 2333 |
| 196,5 | 178 | 1,7 | 14,91 | KXAC352 | 112M | 2 | 4832 | 2416 |
| 193,1 | 172 | 2,5 | 15,18 | KXBC353 | 112M | 2 | 8272 | 2363 |
| 185,7 | 185 | 2,7 | 7,81 | KXBC403 | 112M | 4 | 13092 | 3741 |
| 176,5 | 188 | 3,4 | 16,60 | KXBC403 | 112M | 2 | 13353 | 3815 |
| 173,5 | 210 | 1,7 | 8,36 | KXAC352 | 112M | 4 | 5032 | 2516 |
| 172,4 | 193 | 2,3 | 17,00 | KXBC353 | 112M | 2 | 8524 | 2435 |
| 168,2 | 205 | 2,9 | 8,62 | KXBC403 | 112M | 4 | 13501 | 3857 |
| 163,3 | 215 | 1,5 | 17,94 | KXAC352 | 112M | 2 | 5140 | 2570 |
| 159,9 | 208 | 3,0 | 18,32 | KXBC403 | 112M | 2 | 13742 | 3926 |
| 158,3 | 217 | 2,1 | 9,16 | KXBC353 | 112M | 4 | 8671 | 2478 |
| 144,1 | 252 | 1,4 | 10,06 | KXAC352 | 112M | 4 | 5352 | 2676 |
| 141,3 | 243 | 2,1 | 10,26 | KXBC353 | 112M | 4 | 8922 | 2549 |
| 138,2 | 249 | 2,6 | 10,49 | KXBC403 | 112M | 4 | 14280 | 4080 |
| 132,8 | 259 | 3,8 | 10,92 | KXBC503 | 112M | 4 | 18002 | 5143 |
| 132,1 | 265 | 1,2 | 22,19 | KXAC352 | 112M | 2 | 5518 | 2759 |

4,00 kW

| n2 [rpm] | M2 [Nm] | fs | i | Gear reducer | Motor Size | Pole | Fr2 D-S-P [N] | Fr2 C [N] |
|-------------|------------|-----|-------|-----------------|---------------|------|------------------|--------------|
| 131,5 | 261 | 2,1 | 11,03 | KXBC353 | 112M | 4 | 9080 | 2594 |
| 130,8 | 254 | 1,8 | 22,39 | KXBC353 | 112M | 2 | 9117 | 2605 |
| 128,4 | 258 | 2,4 | 22,82 | KXBC403 | 112M | 2 | 14630 | 4180 |
| 125,2 | 275 | 2,7 | 11,59 | KXBC403 | 112M | 4 | 14683 | 4195 |
| 124,2 | 280 | 1,9 | 7,81 | KXBC403 | 132MA | 6 | 14674 | 4193 |
| 123,7 | 268 | 3,9 | 23,70 | KXBC503 | 112M | 2 | 18440 | 5269 |
| 120,3 | 286 | 3,5 | 12,05 | KXBC503 | 112M | 4 | 18543 | 5298 |
| 119,4 | 291 | 2,9 | 8,13 | KXBC503 | 132MA | 6 | 18542 | 5298 |
| 117,4 | 293 | 2,0 | 12,35 | KXBC353 | 112M | 4 | 9314 | 2661 |
| 116,5 | 312 | 1,1 | 12,44 | KXAC352 | 112M | 4 | 5745 | 2873 |
| 112,5 | 309 | 2,0 | 8,62 | KXBC403 | 132MA | 6 | 15081 | 4309 |
| 112,3 | 295 | 1,5 | 26,09 | KXBC353 | 112M | 2 | 9459 | 2703 |
| 110,5 | 300 | 3,7 | 26,51 | KXBC503 | 112M | 2 | 19014 | 5433 |
| 110,3 | 312 | 1,9 | 13,15 | KXBC353 | 112M | 4 | 9451 | 2700 |
| 109,7 | 303 | 2,1 | 26,71 | KXBC403 | 112M | 2 | 15287 | 4368 |
| 108,2 | 321 | 2,9 | 8,97 | KXBC503 | 132MA | 6 | 19095 | 5456 |
| 104,6 | 318 | 1,4 | 28,03 | KXBC353 | 112M | 2 | 9641 | 2755 |
| 100,5 | 342 | 2,4 | 14,43 | KXBC403 | 112M | 4 | 15565 | 4447 |
| 99,3 | 334 | 1,9 | 29,50 | KXBC403 | 112M | 2 | 15663 | 4475 |
| 97,3 | 373 | 1,1 | 14,91 | KXAC352 | 112M | 4 | 6102 | 3051 |
| 96,8 | 356 | 3,4 | 14,99 | KXBC503 | 112M | 4 | 19787 | 5653 |
| 95,9 | 346 | 3,4 | 30,55 | KXBC503 | 112M | 2 | 19896 | 5684 |
| 95,5 | 360 | 1,6 | 15,18 | KXBC353 | 112M | 4 | 9759 | 2788 |
| 92,5 | 376 | 1,8 | 10,49 | KXBC403 | 132MA | 6 | 15948 | 4556 |
| 92,1 | 360 | 1,8 | 31,80 | KXBC403 | 112M | 2 | 16029 | 4580 |
| 88,8 | 391 | 2,7 | 10,92 | KXBC503 | 132MA | 6 | 20239 | 5783 |
| 88,6 | 374 | 3,4 | 33,07 | KXBC503 | 112M | 2 | 20365 | 5819 |
| 87,6 | 379 | 1,2 | 33,43 | KXBC353 | 112M | 2 | 10004 | 2858 |
| 87,4 | 393 | 2,1 | 16,60 | KXBC403 | 112M | 4 | 16188 | 4625 |
| 85,3 | 403 | 1,5 | 17,00 | KXBC353 | 112M | 4 | 10013 | 2861 |
| 84,9 | 391 | 1,6 | 34,49 | KXBC403 | 112M | 2 | 16336 | 4667 |
| 84,0 | 409 | 3,4 | 17,27 | KXBC503 | 112M | 4 | 20628 | 5894 |
| 83,7 | 415 | 1,9 | 11,59 | KXBC403 | 132MA | 6 | 16325 | 4664 |
| 81,7 | 406 | 3,1 | 35,87 | KXBC503 | 112M | 2 | 20794 | 5941 |
| 80,8 | 449 | 0,9 | 17,94 | KXAC352 | 112M | 4 | 6476 | 3238 |
| 80,5 | 432 | 2,4 | 12,05 | KXBC503 | 132MA | 6 | 20891 | 5969 |
| 79,1 | 434 | 2,0 | 18,32 | KXBC403 | 112M | 4 | 16582 | 4738 |
| 76,1 | 452 | 3,1 | 19,06 | KXBC503 | 112M | 4 | 21183 | 6052 |
| 76,0 | 437 | 1,0 | 38,58 | KXBC353 | 112M | 2 | 10307 | 2945 |
| 74,0 | 448 | 1,4 | 39,60 | KXBC403 | 112M | 2 | 16982 | 4852 |
| 71,2 | 466 | 2,7 | 41,12 | KXBC503 | 112M | 2 | 21636 | 6182 |
| 68,2 | 486 | 1,3 | 42,95 | KXBC403 | 112M | 2 | 17293 | 4941 |

4,00 kW

| n2 [rpm] | M2 [Nm] | fs | i | Gear reducer | Motor Size | Pole | Fr2 D-S-P [N] | Fr2 C [N] |
|-------------|------------|-----|-------|-----------------|---------------|------|------------------|--------------|
| 67,2 | 517 | 1,6 | 14,43 | KXBC403 | 132MA | 6 | 17264 | 4933 |
| 65,7 | 505 | 2,5 | 44,61 | KXBC503 | 112M | 2 | 22000 | 6328 |
| 64,8 | 536 | 2,3 | 14,99 | KXBC503 | 132MA | 6 | 22000 | 6354 |
| 64,7 | 531 | 1,1 | 22,39 | KXBC353 | 112M | 4 | 10559 | 3017 |
| 64,5 | 515 | 1,2 | 45,44 | KXBC403 | 112M | 2 | 17586 | 5024 |
| 63,5 | 541 | 1,6 | 22,82 | KXBC403 | 112M | 4 | 17558 | 5017 |
| 63,0 | 550 | 4,0 | 15,38 | KXBC603 | 132MA | 6 | 30000 | 9001 |
| 61,9 | 535 | 2,4 | 47,28 | KXBC503 | 112M | 2 | 22000 | 6453 |
| 61,2 | 562 | 2,5 | 23,70 | KXBC503 | 112M | 4 | 22000 | 6454 |
| 58,5 | 594 | 1,5 | 16,60 | KXBC403 | 132MA | 6 | 17865 | 5104 |
| 58,3 | 569 | 2,2 | 50,24 | KXBC503 | 112M | 2 | 22000 | 6564 |
| 57,2 | 580 | 1,1 | 51,19 | KXBC403 | 112M | 2 | 18000 | 5161 |
| 56,2 | 619 | 2,4 | 17,27 | KXBC503 | 132MA | 6 | 22000 | 6612 |
| 55,6 | 619 | 1,0 | 26,09 | KXBC353 | 112M | 4 | 10820 | 3091 |
| 55,3 | 601 | 2,1 | 53,02 | KXBC503 | 112M | 2 | 22000 | 6665 |
| 54,7 | 629 | 2,4 | 26,51 | KXBC503 | 112M | 4 | 22000 | 6647 |
| 54,3 | 634 | 1,3 | 26,71 | KXBC403 | 112M | 4 | 18000 | 5211 |
| 54,0 | 615 | 3,9 | 54,30 | KXBC603 | 112M | 2 | 30000 | 9403 |
| 52,9 | 656 | 1,3 | 18,32 | KXBC403 | 132MA | 6 | 18000 | 5238 |
| 52,8 | 629 | 1,0 | 55,52 | KXBC403 | 112M | 2 | 18000 | 5263 |
| 52,2 | 665 | 3,4 | 18,58 | KXBC603 | 132MA | 6 | 30000 | 9474 |
| 51,7 | 665 | 0,9 | 28,03 | KXBC353 | 112M | 4 | 10939 | 3125 |
| 50,9 | 682 | 2,2 | 19,06 | KXBC503 | 132MA | 6 | 22000 | 6774 |
| 50,1 | 662 | 1,9 | 58,50 | KXBC503 | 112M | 2 | 22000 | 6849 |
| 49,4 | 672 | 3,5 | 59,36 | KXBC603 | 112M | 2 | 30000 | 9659 |
| 49,1 | 699 | 1,2 | 29,50 | KXBC403 | 112M | 4 | 18000 | 5331 |
| 47,5 | 724 | 2,2 | 30,55 | KXBC503 | 112M | 4 | 22000 | 6911 |
| 47,1 | 738 | 3,6 | 20,61 | KXBC603 | 132MA | 6 | 30000 | 9712 |
| 46,8 | 709 | 3,5 | 62,59 | KXBC603 | 112M | 2 | 30000 | 9769 |
| 46,4 | 741 | 3,8 | 31,26 | KXBC603 | 112M | 4 | 30000 | 9760 |
| 45,6 | 754 | 1,1 | 31,80 | KXBC403 | 112M | 4 | 18000 | 5414 |
| 45,2 | 735 | 1,7 | 64,89 | KXBC503 | 112M | 2 | 22000 | 7027 |
| 43,9 | 784 | 2,2 | 33,07 | KXBC503 | 112M | 4 | 22000 | 7061 |
| 42,7 | 777 | 1,6 | 68,58 | KXBC503 | 112M | 2 | 22000 | 7153 |
| 42,5 | 816 | 3,6 | 22,78 | KXBC603 | 132MA | 6 | 30000 | 9996 |
| 42,5 | 817 | 1,1 | 22,82 | KXBC403 | 132MA | 6 | 18000 | 5488 |
| 42,2 | 786 | 3,1 | 69,43 | KXBC603 | 112M | 2 | 30000 | 10040 |
| 42,0 | 818 | 1,0 | 34,49 | KXBC403 | 112M | 4 | 18000 | 5511 |
| 41,8 | 822 | 3,4 | 34,68 | KXBC603 | 112M | 4 | 30000 | 10045 |
| 40,9 | 848 | 1,7 | 23,70 | KXBC503 | 132MA | 6 | 22000 | 7205 |
| 40,4 | 850 | 2,0 | 35,87 | KXBC503 | 112M | 4 | 22000 | 7229 |
| 40,3 | 824 | 1,5 | 72,76 | KXBC503 | 112M | 2 | 22000 | 7248 |

4,00 kW

| n2 [rpm] | M2 [Nm] | fs | i | Gear reducer | Motor Size | Pole | Fr2 D-S-P [N] | Fr2 C [N] |
|-------------|------------|-----|--------|-----------------|---------------|------|------------------|--------------|
| 39,4 | 843 | 3,1 | 74,42 | KXBC603 | 112M | 2 | 30000 | 10223 |
| 37,5 | 927 | 3,2 | 25,89 | KXBC603 | 132MA | 6 | 30000 | 10299 |
| 37,1 | 894 | 1,4 | 78,92 | KXBC503 | 112M | 2 | 22000 | 7406 |
| 36,6 | 939 | 0,9 | 39,60 | KXBC403 | 112M | 4 | 18000 | 5672 |
| 36,6 | 949 | 1,6 | 26,51 | KXBC503 | 132MA | 6 | 22000 | 7420 |
| 36,6 | 907 | 2,9 | 80,04 | KXBC603 | 112M | 2 | 30000 | 10442 |
| 36,3 | 956 | 0,9 | 26,71 | KXBC403 | 132MA | 6 | 18000 | 5682 |
| 35,7 | 961 | 2,9 | 40,53 | KXBC603 | 112M | 4 | 30000 | 10449 |
| 35,3 | 985 | 3,0 | 27,51 | KXBC603 | 132MA | 6 | 30000 | 10456 |
| 35,2 | 975 | 1,7 | 41,12 | KXBC503 | 112M | 4 | 22000 | 7492 |
| 35,1 | 947 | 1,4 | 83,66 | KXBC503 | 112M | 2 | 22000 | 7540 |
| 34,3 | 969 | 3,9 | 85,54 | KXBC703 | 112M | 2 | 35806 | 35806 |
| 32,6 | 1018 | 2,6 | 89,87 | KXBC603 | 112M | 2 | 30000 | 10720 |
| 32,5 | 1058 | 1,6 | 44,61 | KXBC503 | 112M | 4 | 22000 | 7636 |
| 32,3 | 1065 | 2,8 | 44,89 | KXBC603 | 112M | 4 | 30000 | 10714 |
| 31,7 | 1045 | 1,3 | 92,31 | KXBC503 | 112M | 2 | 22000 | 7733 |
| 31,7 | 1094 | 1,5 | 30,55 | KXBC503 | 132MA | 6 | 22000 | 7673 |
| 31,5 | 1103 | 2,6 | 30,79 | KXBC603 | 132MA | 6 | 30000 | 10774 |
| 31,1 | 1066 | 3,5 | 94,13 | KXBC703 | 112M | 2 | 36743 | 36743 |
| 31,0 | 1119 | 2,6 | 31,26 | KXBC603 | 132MA | 6 | 30000 | 10813 |
| 30,7 | 1121 | 1,5 | 47,28 | KXBC503 | 112M | 4 | 22000 | 7762 |
| 29,4 | 1129 | 2,3 | 99,70 | KXBC603 | 112M | 2 | 30000 | 11022 |
| 29,3 | 1184 | 1,5 | 33,07 | KXBC503 | 132MA | 6 | 22000 | 7825 |
| 29,1 | 1181 | 2,7 | 49,80 | KXBC603 | 112M | 4 | 30000 | 10965 |
| 28,9 | 1191 | 1,4 | 50,24 | KXBC503 | 112M | 4 | 22000 | 7867 |
| 28,0 | 1242 | 2,3 | 34,68 | KXBC603 | 132MA | 6 | 30000 | 11079 |
| 27,8 | 1194 | 1,1 | 105,44 | KXBC503 | 112M | 2 | 22000 | 7976 |
| 27,7 | 1199 | 3,1 | 105,83 | KXBC703 | 112M | 2 | 38005 | 38005 |
| 27,5 | 1208 | 2,2 | 106,65 | KXBC603 | 112M | 2 | 30000 | 11172 |
| 27,4 | 1257 | 1,3 | 53,02 | KXBC503 | 112M | 4 | 22000 | 7984 |
| 27,3 | 1260 | 3,9 | 53,16 | KXBC703 | 112M | 4 | 37978 | 37978 |
| 27,0 | 1284 | 1,4 | 35,87 | KXBC503 | 132MA | 6 | 22000 | 7982 |
| 26,7 | 1287 | 2,5 | 54,30 | KXBC603 | 112M | 4 | 30000 | 11205 |
| 26,6 | 1295 | 3,8 | 54,63 | KXBC703 | 112M | 4 | 38246 | 38246 |
| 26,5 | 1313 | 3,8 | 36,67 | KXBC703 | 132MA | 6 | 38171 | 38171 |
| 26,2 | 1268 | 2,9 | 111,94 | KXBC703 | 112M | 2 | 38565 | 38565 |
| 25,5 | 1300 | 1,0 | 114,80 | KXBC503 | 112M | 2 | 22000 | 8143 |
| 24,8 | 1387 | 1,2 | 58,50 | KXBC503 | 112M | 4 | 22000 | 8175 |
| 24,6 | 1399 | 3,5 | 59,02 | KXBC703 | 112M | 4 | 39007 | 39007 |
| 24,5 | 1354 | 1,9 | 119,60 | KXBC603 | 112M | 2 | 30000 | 11471 |
| 24,5 | 1407 | 2,3 | 59,36 | KXBC603 | 112M | 4 | 30000 | 11431 |
| 24,1 | 1442 | 3,5 | 40,29 | KXBC703 | 132MA | 6 | 39094 | 39094 |

4,00 kW

| n2 [rpm] | M2 [Nm] | fs | i | Gear reducer | Motor Size | Pole | Fr2 D-S-P [N] | Fr2 C [N] |
|-------------|------------|-----|--------|-----------------|---------------|------|------------------|--------------|
| 23,9 | 1451 | 2,0 | 40,53 | KXBC603 | 132MA | 6 | 30000 | 11447 |
| 23,6 | 1472 | 1,2 | 41,12 | KXBC503 | 132MA | 6 | 22000 | 8245 |
| 23,5 | 1411 | 2,6 | 124,62 | KXBC703 | 112M | 2 | 39639 | 39639 |
| 23,2 | 1484 | 2,2 | 62,59 | KXBC603 | 112M | 4 | 30000 | 11547 |
| 22,5 | 1472 | 1,8 | 129,96 | KXBC603 | 112M | 2 | 30000 | 11685 |
| 22,4 | 1538 | 1,1 | 64,89 | KXBC503 | 112M | 4 | 22000 | 8374 |
| 22,4 | 1538 | 3,2 | 64,88 | KXBC703 | 112M | 4 | 39942 | 39942 |
| 22,0 | 1581 | 3,2 | 44,16 | KXBC703 | 132MA | 6 | 39995 | 39995 |
| 21,7 | 1597 | 1,1 | 44,61 | KXBC503 | 132MA | 6 | 22000 | 8419 |
| 21,6 | 1607 | 1,9 | 44,89 | KXBC603 | 132MA | 6 | 30000 | 11725 |
| 21,5 | 1545 | 2,4 | 136,44 | KXBC703 | 112M | 2 | 40000 | 40000 |
| 21,1 | 1626 | 1,0 | 68,58 | KXBC503 | 112M | 4 | 22000 | 8466 |
| 20,8 | 1647 | 2,0 | 69,43 | KXBC603 | 112M | 4 | 30000 | 11821 |
| 20,5 | 1670 | 3,0 | 70,43 | KXBC703 | 112M | 4 | 40000 | 40000 |
| 20,5 | 1693 | 1,1 | 47,28 | KXBC503 | 132MA | 6 | 22000 | 8509 |
| 20,3 | 1635 | 1,6 | 144,43 | KXBC603 | 112M | 2 | 30000 | 11978 |
| 20,1 | 1731 | 3,0 | 48,35 | KXBC703 | 132MA | 6 | 40000 | 40000 |
| 19,9 | 1725 | 1,0 | 72,76 | KXBC503 | 112M | 4 | 22000 | 8591 |
| 19,6 | 1694 | 2,2 | 149,59 | KXBC703 | 112M | 2 | 40000 | 40000 |
| 19,5 | 1765 | 2,0 | 74,42 | KXBC603 | 112M | 4 | 30000 | 11989 |
| 19,5 | 1783 | 1,9 | 49,80 | KXBC603 | 132MA | 6 | 30000 | 11950 |
| 19,3 | 1798 | 1,0 | 50,24 | KXBC503 | 132MA | 6 | 22000 | 8642 |
| 18,8 | 1828 | 2,7 | 77,12 | KXBC703 | 112M | 4 | 40000 | 40000 |
| 18,3 | 1871 | 0,9 | 78,92 | KXBC503 | 112M | 4 | 22000 | 8742 |
| 18,3 | 1898 | 0,9 | 53,02 | KXBC503 | 132MA | 6 | 22000 | 8741 |
| 18,3 | 1903 | 2,7 | 53,16 | KXBC703 | 132MA | 6 | 40000 | 40000 |
| 18,3 | 1814 | 1,4 | 160,23 | KXBC603 | 112M | 2 | 30000 | 12234 |
| 18,1 | 1898 | 1,8 | 80,04 | KXBC603 | 112M | 4 | 30000 | 12145 |
| 17,9 | 1944 | 1,7 | 54,30 | KXBC603 | 132MA | 6 | 30000 | 12152 |
| 17,8 | 1956 | 2,7 | 54,63 | KXBC703 | 132MA | 6 | 40000 | 40000 |
| 17,6 | 1886 | 2,0 | 166,53 | KXBC703 | 112M | 2 | 40000 | 40000 |
| 17,3 | 1984 | 0,9 | 83,66 | KXBC503 | 112M | 4 | 22000 | 8837 |
| 17,0 | 2028 | 2,5 | 85,54 | KXBC703 | 112M | 4 | 40000 | 40000 |
| 16,4 | 2113 | 2,5 | 59,02 | KXBC703 | 132MA | 6 | 40000 | 40000 |
| 16,3 | 2125 | 1,6 | 59,36 | KXBC603 | 132MA | 6 | 30000 | 12353 |
| 16,2 | 2043 | 1,3 | 180,40 | KXBC603 | 112M | 2 | 30000 | 12492 |
| 16,1 | 2131 | 1,6 | 89,87 | KXBC603 | 112M | 4 | 30000 | 12424 |
| 16,0 | 2181 | 3,8 | 60,92 | KXBC903 | 132MA | 6 | 65000 | 65000 |
| 15,7 | 2120 | 1,8 | 187,24 | KXBC703 | 112M | 2 | 40000 | 40000 |
| 15,5 | 2241 | 1,5 | 62,59 | KXBC603 | 132MA | 6 | 30000 | 12490 |
| 15,4 | 2232 | 2,2 | 94,13 | KXBC703 | 112M | 4 | 40000 | 40000 |
| 15,3 | 2272 | 3,7 | 63,47 | KXBC903 | 132MA | 6 | 65000 | 65000 |

4,00 kW

| n2 [rpm] | M2 [Nm] | fs | i | Gear reducer | Motor Size | Pole | Fr2 D-S-P [N] | Fr2 C [N] |
|-------------|------------|-----|--------|-----------------|---------------|------|------------------|--------------|
| 15,0 | 2323 | 2,3 | 64,88 | KXBC703 | 132MA | 6 | 40000 | 40000 |
| 14,5 | 2364 | 1,5 | 99,70 | KXBC603 | 112M | 4 | 30000 | 12633 |
| 14,0 | 2486 | 1,4 | 69,43 | KXBC603 | 132MA | 6 | 30000 | 12683 |
| 13,7 | 2522 | 2,1 | 70,43 | KXBC703 | 132MA | 6 | 40000 | 40000 |
| 13,7 | 2510 | 2,0 | 105,83 | KXBC703 | 112M | 4 | 40000 | 40000 |
| 13,6 | 2529 | 1,4 | 106,65 | KXBC603 | 112M | 4 | 30000 | 12770 |
| 13,6 | 2547 | 3,3 | 71,15 | KXBC903 | 132MA | 6 | 65000 | 65000 |
| 13,0 | 2664 | 1,4 | 74,42 | KXBC603 | 132MA | 6 | 30000 | 12838 |
| 13,0 | 2655 | 1,9 | 111,94 | KXBC703 | 112M | 4 | 40000 | 40000 |
| 12,6 | 2761 | 1,9 | 77,12 | KXBC703 | 132MA | 6 | 40000 | 40000 |
| 12,5 | 2764 | 3,0 | 77,22 | KXBC903 | 132MA | 6 | 65000 | 65000 |
| 12,1 | 2865 | 1,3 | 80,04 | KXBC603 | 132MA | 6 | 30000 | 12969 |
| 12,1 | 2836 | 1,2 | 119,60 | KXBC603 | 112M | 4 | 30000 | 12987 |
| 11,6 | 2955 | 1,7 | 124,62 | KXBC703 | 112M | 4 | 40000 | 40000 |
| 11,6 | 3003 | 2,8 | 83,89 | KXBC903 | 132MA | 6 | 65000 | 65000 |
| 11,3 | 3062 | 1,7 | 85,54 | KXBC703 | 132MA | 6 | 40000 | 40000 |
| 11,2 | 3082 | 1,1 | 129,96 | KXBC603 | 112M | 4 | 30000 | 13140 |
| 11,1 | 3138 | 2,7 | 87,65 | KXBC903 | 132MA | 6 | 65000 | 65000 |
| 10,8 | 3218 | 1,1 | 89,87 | KXBC603 | 132MA | 6 | 30000 | 13155 |
| 10,6 | 3235 | 1,5 | 136,44 | KXBC703 | 112M | 4 | 40000 | 40000 |
| 10,4 | 3331 | 2,5 | 93,05 | KXBC903 | 132MA | 6 | 65000 | 65000 |
| 10,3 | 3370 | 1,6 | 94,13 | KXBC703 | 132MA | 6 | 40000 | 40000 |
| 10,1 | 3424 | 1,0 | 144,43 | KXBC603 | 112M | 4 | 30000 | 13297 |
| 9,7 | 3569 | 1,0 | 99,70 | KXBC603 | 132MA | 6 | 30000 | 13283 |
| 9,7 | 3547 | 1,4 | 149,59 | KXBC703 | 112M | 4 | 40000 | 40000 |
| 9,4 | 3692 | 2,3 | 103,12 | KXBC903 | 132MA | 6 | 65000 | 65000 |
| 9,2 | 3789 | 1,4 | 105,83 | KXBC703 | 132MA | 6 | 40000 | 40000 |
| 9,1 | 3818 | 1,0 | 106,65 | KXBC603 | 132MA | 6 | 30000 | 13371 |
| 9,0 | 3799 | 0,9 | 160,23 | KXBC603 | 112M | 4 | 30000 | 13415 |
| 8,7 | 3949 | 1,3 | 166,53 | KXBC703 | 112M | 4 | 40000 | 40000 |
| 8,7 | 4007 | 1,3 | 111,94 | KXBC703 | 132MA | 6 | 40000 | 40000 |
| 7,8 | 4461 | 1,2 | 124,62 | KXBC703 | 132MA | 6 | 40000 | 40000 |
| 7,8 | 4435 | 1,9 | 123,88 | KXBC903 | 132MA | 6 | 65000 | 65000 |
| 7,8 | 4439 | 1,1 | 187,24 | KXBC703 | 112M | 4 | 40000 | 40000 |
| 7,2 | 4806 | 1,7 | 134,27 | KXBC903 | 132MA | 6 | 65000 | 65000 |
| 7,1 | 4884 | 1,1 | 136,44 | KXBC703 | 132MA | 6 | 40000 | 40000 |
| 6,5 | 5355 | 1,0 | 149,59 | KXBC703 | 132MA | 6 | 40000 | 40000 |
| 6,5 | 5343 | 1,6 | 149,26 | KXBC903 | 132MA | 6 | 65000 | 65000 |
| 5,9 | 5921 | 1,4 | 165,42 | KXBC903 | 132MA | 6 | 65000 | 65000 |

5,50 kW

| n2 [rpm] | M2 [Nm] | fs | i | Gear reducer | Motor Size | Pole | Fr2 D-S-P [N] | Fr2 C [N] |
|-------------|------------|-----|-------|-----------------|---------------|------|------------------|--------------|
| 377,7 | 121 | 3,1 | 7,81 | KXBC403 | 132S | 2 | 10461 | 2989 |
| 342,1 | 134 | 3,4 | 8,62 | KXBC403 | 132S | 2 | 10785 | 3081 |
| 281,1 | 163 | 3,0 | 10,49 | KXBC403 | 132S | 2 | 11460 | 3274 |
| 254,6 | 180 | 3,1 | 11,59 | KXBC403 | 132S | 2 | 11793 | 3370 |
| 244,8 | 186 | 4,1 | 12,05 | KXBC503 | 132S | 2 | 14814 | 4233 |
| 204,5 | 223 | 2,7 | 14,43 | KXBC403 | 132S | 2 | 12517 | 3576 |
| 196,9 | 232 | 3,9 | 14,99 | KXBC503 | 132S | 2 | 15779 | 4508 |
| 188,3 | 252 | 2,0 | 7,81 | KXBC403 | 132MS | 4 | 12811 | 3660 |
| 180,9 | 261 | 3,0 | 8,13 | KXBC503 | 132MS | 4 | 16209 | 4631 |
| 177,8 | 257 | 2,5 | 16,60 | KXBC403 | 132S | 2 | 13003 | 3715 |
| 170,8 | 267 | 4,0 | 17,27 | KXBC503 | 132S | 2 | 16516 | 4719 |
| 170,5 | 277 | 2,1 | 8,62 | KXBC403 | 132MS | 4 | 13164 | 3761 |
| 163,9 | 288 | 3,1 | 8,97 | KXBC503 | 132MS | 4 | 16656 | 4759 |
| 161,0 | 283 | 2,2 | 18,32 | KXBC403 | 132S | 2 | 13412 | 3832 |
| 154,8 | 295 | 3,6 | 19,06 | KXBC503 | 132S | 2 | 16937 | 4839 |
| 140,1 | 338 | 1,9 | 10,49 | KXBC403 | 132MS | 4 | 13850 | 3957 |
| 134,6 | 352 | 2,8 | 10,92 | KXBC503 | 132MS | 4 | 17650 | 5043 |
| 129,3 | 353 | 1,8 | 22,82 | KXBC403 | 132S | 2 | 14221 | 4063 |
| 126,9 | 373 | 2,0 | 11,59 | KXBC403 | 132MS | 4 | 14187 | 4054 |
| 124,5 | 367 | 2,8 | 23,70 | KXBC503 | 132S | 2 | 18130 | 5180 |
| 124,2 | 384 | 1,4 | 7,81 | KXBC403 | 132MB | 6 | 14250 | 4071 |
| 122,0 | 388 | 2,6 | 12,05 | KXBC503 | 132MS | 4 | 18125 | 5179 |
| 121,8 | 392 | 4,0 | 7,97 | KXBC603 | 132MB | 6 | 25591 | 7312 |
| 119,4 | 400 | 2,1 | 8,13 | KXBC503 | 132MB | 6 | 18228 | 5208 |
| 112,5 | 425 | 1,5 | 8,62 | KXBC403 | 132MB | 6 | 14651 | 4186 |
| 111,3 | 410 | 2,7 | 26,51 | KXBC503 | 132S | 2 | 18727 | 5351 |
| 110,5 | 414 | 1,5 | 26,71 | KXBC403 | 132S | 2 | 14772 | 4220 |
| 108,2 | 441 | 2,1 | 8,97 | KXBC503 | 132MB | 6 | 18804 | 5373 |
| 101,9 | 464 | 1,7 | 14,43 | KXBC403 | 132MS | 4 | 14996 | 4285 |
| 100,8 | 473 | 4,0 | 9,62 | KXBC603 | 132MB | 6 | 26973 | 7707 |
| 100,0 | 456 | 1,4 | 29,50 | KXBC403 | 132S | 2 | 15144 | 4327 |
| 98,1 | 482 | 2,5 | 14,99 | KXBC503 | 132MS | 4 | 19364 | 5532 |
| 96,5 | 473 | 2,5 | 30,55 | KXBC503 | 132S | 2 | 19500 | 5571 |
| 92,8 | 492 | 1,3 | 31,80 | KXBC403 | 132S | 2 | 15413 | 4404 |
| 92,4 | 517 | 1,3 | 10,49 | KXBC403 | 132MB | 6 | 15334 | 4381 |
| 89,2 | 511 | 2,5 | 33,07 | KXBC503 | 132S | 2 | 19881 | 5680 |
| 88,8 | 538 | 2,0 | 10,92 | KXBC503 | 132MB | 6 | 19818 | 5662 |
| 88,6 | 534 | 1,6 | 16,60 | KXBC403 | 132MS | 4 | 15511 | 4432 |
| 85,6 | 534 | 1,2 | 34,49 | KXBC403 | 132S | 2 | 15769 | 4505 |
| 85,2 | 555 | 2,5 | 17,27 | KXBC503 | 132MS | 4 | 20145 | 5756 |
| 85,1 | 537 | 4,0 | 34,68 | KXBC603 | 132S | 2 | 28392 | 8112 |
| 83,8 | 570 | 1,4 | 11,59 | KXBC403 | 132MB | 6 | 15733 | 4495 |

5,50 kW

| n2 [rpm] | M2 [Nm] | fs | i | Gear reducer | Motor Size | Pole | Fr2 D-S-P [N] | Fr2 C [N] |
|-------------|------------|-----|-------|-----------------|---------------|------|------------------|--------------|
| 82,3 | 555 | 2,3 | 35,87 | KXBC503 | 132S | 2 | 20337 | 5811 |
| 80,5 | 593 | 1,8 | 12,05 | KXBC503 | 132MB | 6 | 20363 | 5818 |
| 80,2 | 589 | 1,4 | 18,32 | KXBC403 | 132MS | 4 | 15874 | 4535 |
| 79,2 | 598 | 3,6 | 18,58 | KXBC603 | 132MS | 4 | 28852 | 8244 |
| 77,7 | 615 | 3,4 | 12,48 | KXBC603 | 132MB | 6 | 28936 | 8267 |
| 77,1 | 613 | 2,3 | 19,06 | KXBC503 | 132MS | 4 | 20619 | 5891 |
| 74,5 | 613 | 1,0 | 39,60 | KXBC403 | 132S | 2 | 16282 | 4652 |
| 72,8 | 627 | 3,4 | 40,53 | KXBC603 | 132S | 2 | 29494 | 8427 |
| 71,8 | 636 | 2,0 | 41,12 | KXBC503 | 132S | 2 | 21174 | 6050 |
| 71,3 | 663 | 3,8 | 20,61 | KXBC603 | 132MS | 4 | 29545 | 8441 |
| 70,0 | 682 | 3,2 | 13,84 | KXBC603 | 132MB | 6 | 29732 | 8495 |
| 67,2 | 711 | 1,2 | 14,43 | KXBC403 | 132MB | 6 | 16517 | 4719 |
| 66,1 | 690 | 1,8 | 44,61 | KXBC503 | 132S | 2 | 21564 | 6161 |
| 65,7 | 695 | 3,2 | 44,89 | KXBC603 | 132S | 2 | 30000 | 8663 |
| 64,7 | 738 | 1,7 | 14,99 | KXBC503 | 132MB | 6 | 21594 | 6170 |
| 64,5 | 733 | 3,8 | 22,78 | KXBC603 | 132MS | 4 | 30000 | 8663 |
| 64,4 | 734 | 1,2 | 22,82 | KXBC403 | 132MS | 4 | 16659 | 4760 |
| 63,0 | 757 | 2,9 | 15,38 | KXBC603 | 132MB | 6 | 30000 | 8727 |
| 62,4 | 732 | 1,7 | 47,28 | KXBC503 | 132S | 2 | 21922 | 6263 |
| 62,0 | 763 | 1,8 | 23,70 | KXBC503 | 132MS | 4 | 21938 | 6268 |
| 59,2 | 770 | 3,1 | 49,80 | KXBC603 | 132S | 2 | 30000 | 8920 |
| 58,7 | 777 | 1,6 | 50,24 | KXBC503 | 132S | 2 | 22000 | 6365 |
| 58,5 | 817 | 1,1 | 16,60 | KXBC403 | 132MB | 6 | 16964 | 4847 |
| 56,9 | 839 | 4,0 | 17,04 | KXBC703 | 132MB | 6 | 30302 | 30302 |
| 56,8 | 833 | 3,4 | 25,89 | KXBC603 | 132MS | 4 | 30000 | 8946 |
| 56,2 | 850 | 1,7 | 17,27 | KXBC503 | 132MB | 6 | 22000 | 6419 |
| 55,6 | 820 | 1,5 | 53,02 | KXBC503 | 132S | 2 | 22000 | 6455 |
| 55,4 | 853 | 1,8 | 26,51 | KXBC503 | 132MS | 4 | 22000 | 6430 |
| 55,0 | 859 | 1,0 | 26,71 | KXBC403 | 132MS | 4 | 17246 | 4928 |
| 54,3 | 840 | 2,8 | 54,30 | KXBC603 | 132S | 2 | 30000 | 9092 |
| 53,4 | 885 | 3,2 | 27,51 | KXBC603 | 132MS | 4 | 30000 | 9081 |
| 52,9 | 902 | 1,0 | 18,32 | KXBC403 | 132MB | 6 | 17293 | 4941 |
| 52,2 | 915 | 2,5 | 18,58 | KXBC603 | 132MB | 6 | 30000 | 9143 |
| 50,9 | 938 | 1,6 | 19,06 | KXBC503 | 132MB | 6 | 22000 | 6581 |
| 50,4 | 905 | 1,4 | 58,50 | KXBC503 | 132S | 2 | 22000 | 6614 |
| 49,7 | 918 | 2,6 | 59,36 | KXBC603 | 132S | 2 | 30000 | 9286 |
| 48,1 | 983 | 1,6 | 30,55 | KXBC503 | 132MS | 4 | 22000 | 6665 |
| 47,7 | 990 | 2,8 | 30,79 | KXBC603 | 132MS | 4 | 30000 | 9361 |
| 47,1 | 968 | 2,6 | 62,59 | KXBC603 | 132S | 2 | 30000 | 9405 |
| 47,1 | 1014 | 2,6 | 20,61 | KXBC603 | 132MB | 6 | 30000 | 9372 |
| 47,0 | 1005 | 2,7 | 31,26 | KXBC603 | 132MS | 4 | 30000 | 9395 |
| 45,5 | 1004 | 1,3 | 64,89 | KXBC503 | 132S | 2 | 22000 | 6795 |

5,50 kW

| n2 [rpm] | M2 [Nm] | fs | i | Gear reducer | Motor Size | Pole | Fr2 D-S-P [N] | Fr2 C [N] |
|-------------|------------|-----|--------|-----------------|---------------|------|------------------|--------------|
| 45,5 | 1004 | 3,7 | 64,88 | KXBC703 | 132S | 2 | 32253 | 32253 |
| 44,5 | 1064 | 1,6 | 33,07 | KXBC503 | 132MS | 4 | 22000 | 6808 |
| 43,0 | 1060 | 1,2 | 68,58 | KXBC503 | 132S | 2 | 22000 | 6905 |
| 42,5 | 1121 | 2,6 | 22,78 | KXBC603 | 132MB | 6 | 30000 | 9590 |
| 42,5 | 1074 | 2,3 | 69,43 | KXBC603 | 132S | 2 | 30000 | 9638 |
| 42,4 | 1116 | 2,5 | 34,68 | KXBC603 | 132MS | 4 | 30000 | 9622 |
| 41,8 | 1089 | 3,4 | 70,43 | KXBC703 | 132S | 2 | 32952 | 32952 |
| 41,0 | 1153 | 1,5 | 35,87 | KXBC503 | 132MS | 4 | 22000 | 6942 |
| 40,9 | 1167 | 1,2 | 23,70 | KXBC503 | 132MB | 6 | 22000 | 6941 |
| 40,5 | 1126 | 1,1 | 72,76 | KXBC503 | 132S | 2 | 22000 | 7005 |
| 39,6 | 1151 | 2,3 | 74,42 | KXBC603 | 132S | 2 | 30000 | 9823 |
| 38,3 | 1193 | 3,1 | 77,12 | KXBC703 | 132S | 2 | 33699 | 33699 |
| 37,9 | 1262 | 3,8 | 25,63 | KXBC703 | 132MB | 6 | 33697 | 33697 |
| 37,5 | 1275 | 2,3 | 25,89 | KXBC603 | 132MB | 6 | 30000 | 9865 |
| 37,4 | 1221 | 1,0 | 78,92 | KXBC503 | 132S | 2 | 22000 | 7125 |
| 36,9 | 1238 | 2,1 | 80,04 | KXBC603 | 132S | 2 | 30000 | 9953 |
| 36,6 | 1305 | 1,2 | 26,51 | KXBC503 | 132MB | 6 | 22000 | 7124 |
| 36,4 | 1296 | 3,7 | 40,29 | KXBC703 | 132MS | 4 | 34018 | 34018 |
| 36,2 | 1303 | 2,1 | 40,53 | KXBC603 | 132MS | 4 | 30000 | 9943 |
| 35,7 | 1323 | 1,3 | 41,12 | KXBC503 | 132MS | 4 | 22000 | 7167 |
| 35,3 | 1294 | 1,0 | 83,66 | KXBC503 | 132S | 2 | 22000 | 7217 |
| 35,3 | 1354 | 2,2 | 27,51 | KXBC603 | 132MB | 6 | 30000 | 9971 |
| 35,3 | 1351 | 3,6 | 27,44 | KXBC703 | 132MB | 6 | 34185 | 34185 |
| 34,5 | 1323 | 2,8 | 85,54 | KXBC703 | 132S | 2 | 34589 | 34589 |
| 33,3 | 1420 | 3,3 | 44,16 | KXBC703 | 132MS | 4 | 34849 | 34849 |
| 33,0 | 1435 | 1,2 | 44,61 | KXBC503 | 132MS | 4 | 22000 | 7288 |
| 32,8 | 1390 | 1,9 | 89,87 | KXBC603 | 132S | 2 | 30000 | 10205 |
| 32,7 | 1444 | 2,1 | 44,89 | KXBC603 | 132MS | 4 | 30000 | 10158 |
| 32,3 | 1479 | 3,3 | 30,05 | KXBC703 | 132MB | 6 | 34945 | 34945 |
| 31,7 | 1504 | 1,1 | 30,55 | KXBC503 | 132MB | 6 | 22000 | 7352 |
| 31,5 | 1516 | 1,9 | 30,79 | KXBC603 | 132MB | 6 | 30000 | 10204 |
| 31,3 | 1456 | 2,6 | 94,13 | KXBC703 | 132S | 2 | 35409 | 35409 |
| 31,1 | 1521 | 1,1 | 47,28 | KXBC503 | 132MS | 4 | 22000 | 7404 |
| 31,0 | 1539 | 1,9 | 31,26 | KXBC603 | 132MB | 6 | 30000 | 10235 |
| 30,4 | 1555 | 3,2 | 48,35 | KXBC703 | 132MS | 4 | 35553 | 35553 |
| 29,6 | 1542 | 1,7 | 99,70 | KXBC603 | 132S | 2 | 30000 | 10424 |
| 29,5 | 1602 | 2,0 | 49,80 | KXBC603 | 132MS | 4 | 30000 | 10370 |
| 29,4 | 1625 | 3,0 | 33,01 | KXBC703 | 132MB | 6 | 35816 | 35816 |
| 29,3 | 1628 | 1,1 | 33,07 | KXBC503 | 132MB | 6 | 22000 | 7477 |
| 29,3 | 1616 | 1,1 | 50,24 | KXBC503 | 132MS | 4 | 22000 | 7478 |
| 28,6 | 1595 | 3,8 | 103,12 | KXBC903 | 132S | 2 | 62916 | 62916 |
| 28,0 | 1707 | 1,7 | 34,68 | KXBC603 | 132MB | 6 | 30000 | 10461 |

5.1 KXBC/KXAC GEARED MOTORS (50Hz)

5,50 kW

| n2 [rpm] | M2 [Nm] | fs | i | Gear reducer | Motor Size | Pole | Fr2 D-S-P [N] | Fr2 C [N] |
|-------------|------------|-----|--------|-----------------|---------------|------|------------------|--------------|
| 27,9 | 1637 | 2,3 | 105,83 | KXBC703 | 132S | 2 | 36411 | 36411 |
| 27,7 | 1649 | 1,6 | 106,65 | KXBC603 | 132S | 2 | 30000 | 10570 |
| 27,7 | 1706 | 1,0 | 53,02 | KXBC503 | 132MS | 4 | 22000 | 7584 |
| 27,7 | 1709 | 2,9 | 53,16 | KXBC703 | 132MS | 4 | 36402 | 36402 |
| 27,1 | 1746 | 1,8 | 54,30 | KXBC603 | 132MS | 4 | 30000 | 10540 |
| 27,0 | 1766 | 1,0 | 35,87 | KXBC503 | 132MB | 6 | 22000 | 7587 |
| 26,9 | 1757 | 2,8 | 54,63 | KXBC703 | 132MS | 4 | 36515 | 36515 |
| 26,5 | 1805 | 2,8 | 36,67 | KXBC703 | 132MB | 6 | 36686 | 36686 |
| 26,4 | 1731 | 2,1 | 111,94 | KXBC703 | 132S | 2 | 37004 | 37004 |
| 25,1 | 1881 | 0,9 | 58,50 | KXBC503 | 132MS | 4 | 22000 | 7713 |
| 24,9 | 1898 | 2,6 | 59,02 | KXBC703 | 132MS | 4 | 37153 | 37153 |
| 24,8 | 1909 | 1,7 | 59,36 | KXBC603 | 132MS | 4 | 30000 | 10695 |
| 24,7 | 1850 | 1,4 | 119,60 | KXBC603 | 132S | 2 | 30000 | 10797 |
| 24,0 | 1983 | 2,5 | 40,29 | KXBC703 | 132MB | 6 | 37452 | 37452 |
| 23,9 | 1995 | 1,5 | 40,53 | KXBC603 | 132MB | 6 | 30000 | 10750 |
| 23,8 | 1916 | 3,1 | 123,88 | KXBC903 | 132S | 2 | 65000 | 65000 |
| 23,7 | 1928 | 1,9 | 124,62 | KXBC703 | 132S | 2 | 37905 | 37905 |
| 23,5 | 2013 | 1,6 | 62,59 | KXBC603 | 132MS | 4 | 30000 | 10792 |
| 23,2 | 2041 | 3,9 | 63,47 | KXBC903 | 132MS | 4 | 65000 | 65000 |
| 22,9 | 2082 | 4,0 | 42,30 | KXBC903 | 132MB | 6 | 65000 | 65000 |
| 22,7 | 2010 | 1,3 | 129,96 | KXBC603 | 132S | 2 | 30000 | 10954 |
| 22,7 | 2087 | 2,4 | 64,88 | KXBC703 | 132MS | 4 | 37978 | 37978 |
| 22,0 | 2174 | 2,3 | 44,16 | KXBC703 | 132MB | 6 | 38103 | 38103 |
| 22,0 | 2077 | 2,9 | 134,27 | KXBC903 | 132S | 2 | 65000 | 65000 |
| 21,6 | 2210 | 1,4 | 44,89 | KXBC603 | 132MB | 6 | 30000 | 10908 |
| 21,6 | 2110 | 1,8 | 136,44 | KXBC703 | 132S | 2 | 38542 | 38542 |
| 21,2 | 2233 | 1,5 | 69,43 | KXBC603 | 132MS | 4 | 30000 | 10993 |
| 20,8 | 2266 | 2,2 | 70,43 | KXBC703 | 132MS | 4 | 38632 | 38632 |
| 20,6 | 2288 | 3,5 | 71,15 | KXBC903 | 132MS | 4 | 65000 | 65000 |
| 20,5 | 2233 | 1,2 | 144,43 | KXBC603 | 132S | 2 | 30000 | 11142 |
| 20,4 | 2340 | 3,6 | 47,53 | KXBC903 | 132MB | 6 | 65000 | 65000 |
| 20,1 | 2380 | 2,2 | 48,35 | KXBC703 | 132MB | 6 | 38893 | 38893 |
| 19,8 | 2393 | 1,5 | 74,42 | KXBC603 | 132MS | 4 | 30000 | 11082 |
| 19,8 | 2313 | 1,6 | 149,59 | KXBC703 | 132S | 2 | 39398 | 39398 |
| 19,8 | 2308 | 2,6 | 149,26 | KXBC903 | 132S | 2 | 65000 | 65000 |
| 19,5 | 2452 | 1,4 | 49,80 | KXBC603 | 132MB | 6 | 30000 | 11087 |
| 19,2 | 2489 | 3,3 | 50,56 | KXBC903 | 132MB | 6 | 65000 | 65000 |
| 19,1 | 2484 | 3,2 | 77,22 | KXBC903 | 132MS | 4 | 65000 | 65000 |
| 19,0 | 2480 | 2,0 | 77,12 | KXBC703 | 132MS | 4 | 39336 | 39336 |
| 18,4 | 2478 | 1,1 | 160,23 | KXBC603 | 132S | 2 | 30000 | 11305 |
| 18,3 | 2574 | 1,4 | 80,04 | KXBC603 | 132MS | 4 | 30000 | 11200 |
| 18,2 | 2617 | 2,0 | 53,16 | KXBC703 | 132MB | 6 | 39533 | 39533 |

5,50 kW

| n2 [rpm] | M2 [Nm] | fs | i | Gear reducer | Motor Size | Pole | Fr2 D-S-P [N] | Fr2 C [N] |
|-------------|------------|-----|--------|-----------------|---------------|------|------------------|--------------|
| 17,9 | 2673 | 1,2 | 54,30 | KXBC603 | 132MB | 6 | 30000 | 11209 |
| 17,9 | 2558 | 2,3 | 165,42 | KXBC903 | 132S | 2 | 65000 | 65000 |
| 17,8 | 2689 | 2,0 | 54,63 | KXBC703 | 132MB | 6 | 39735 | 39735 |
| 17,8 | 2690 | 3,1 | 54,64 | KXBC903 | 132MB | 6 | 65000 | 65000 |
| 17,7 | 2576 | 1,4 | 166,53 | KXBC703 | 132S | 2 | 40000 | 40000 |
| 17,5 | 2698 | 3,0 | 83,89 | KXBC903 | 132MS | 4 | 65000 | 65000 |
| 17,2 | 2751 | 1,8 | 85,54 | KXBC703 | 132MS | 4 | 40000 | 40000 |
| 16,9 | 2819 | 3,0 | 57,27 | KXBC903 | 132MB | 6 | 65000 | 65000 |
| 16,7 | 2819 | 2,8 | 87,65 | KXBC903 | 132MS | 4 | 65000 | 65000 |
| 16,4 | 2905 | 1,8 | 59,02 | KXBC703 | 132MB | 6 | 40000 | 40000 |
| 16,3 | 2890 | 1,2 | 89,87 | KXBC603 | 132MS | 4 | 30000 | 11351 |
| 16,3 | 2922 | 1,2 | 59,36 | KXBC603 | 132MB | 6 | 30000 | 11306 |
| 15,9 | 2999 | 2,8 | 60,92 | KXBC903 | 132MB | 6 | 65000 | 65000 |
| 15,8 | 2993 | 2,7 | 93,05 | KXBC903 | 132MS | 4 | 65000 | 65000 |
| 15,7 | 2895 | 1,3 | 187,24 | KXBC703 | 132S | 2 | 40000 | 40000 |
| 15,6 | 3027 | 1,6 | 94,13 | KXBC703 | 132MS | 4 | 40000 | 40000 |
| 15,5 | 3081 | 1,1 | 62,59 | KXBC603 | 132MB | 6 | 30000 | 11365 |
| 15,3 | 3125 | 2,7 | 63,47 | KXBC903 | 132MB | 6 | 65000 | 65000 |
| 15,0 | 3194 | 1,6 | 64,88 | KXBC703 | 132MB | 6 | 40000 | 40000 |
| 14,7 | 3206 | 1,1 | 99,70 | KXBC603 | 132MS | 4 | 30000 | 11462 |
| 14,3 | 3316 | 2,4 | 103,12 | KXBC903 | 132MS | 4 | 65000 | 65000 |
| 14,0 | 3418 | 1,0 | 69,43 | KXBC603 | 132MB | 6 | 30000 | 11459 |
| 13,9 | 3404 | 1,5 | 105,83 | KXBC703 | 132MS | 4 | 40000 | 40000 |
| 13,8 | 3430 | 1,0 | 106,65 | KXBC603 | 132MS | 4 | 30000 | 11515 |
| 13,8 | 3467 | 1,5 | 70,43 | KXBC703 | 132MB | 6 | 40000 | 40000 |
| 13,6 | 3502 | 2,4 | 71,15 | KXBC903 | 132MB | 6 | 65000 | 65000 |
| 13,1 | 3600 | 1,4 | 111,94 | KXBC703 | 132MS | 4 | 40000 | 40000 |
| 13,0 | 3663 | 1,0 | 74,42 | KXBC603 | 132MB | 6 | 30000 | 11506 |
| 12,6 | 3796 | 1,4 | 77,12 | KXBC703 | 132MB | 6 | 40000 | 40000 |
| 12,5 | 3802 | 2,2 | 77,22 | KXBC903 | 132MB | 6 | 65000 | 65000 |
| 12,3 | 3846 | 0,9 | 119,60 | KXBC603 | 132MS | 4 | 30000 | 11585 |
| 12,1 | 3940 | 0,9 | 80,04 | KXBC603 | 132MB | 6 | 30000 | 11540 |
| 11,9 | 3984 | 2,0 | 123,88 | KXBC903 | 132MS | 4 | 65000 | 65000 |
| 11,8 | 4008 | 1,2 | 124,62 | KXBC703 | 132MS | 4 | 40000 | 40000 |
| 11,6 | 4129 | 2,0 | 83,89 | KXBC903 | 132MB | 6 | 65000 | 65000 |
| 11,3 | 4211 | 1,2 | 85,54 | KXBC703 | 132MB | 6 | 40000 | 40000 |
| 11,1 | 4314 | 1,9 | 87,65 | KXBC903 | 132MB | 6 | 65000 | 65000 |
| 10,9 | 4318 | 1,9 | 134,27 | KXBC903 | 132MS | 4 | 65000 | 65000 |
| 10,8 | 4388 | 1,1 | 136,44 | KXBC703 | 132MS | 4 | 40000 | 40000 |
| 10,4 | 4580 | 1,8 | 93,05 | KXBC903 | 132MB | 6 | 65000 | 65000 |
| 10,3 | 4633 | 1,1 | 94,13 | KXBC703 | 132MB | 6 | 40000 | 40000 |
| 9,9 | 4800 | 1,7 | 149,26 | KXBC903 | 132MS | 4 | 65000 | 65000 |

5.1 KXBC/KXAC GEARED MOTORS (50Hz)

5,50 kW

| n2 [rpm] | M2 [Nm] | fs | i | Gear reducer | Size | Motor Pole | Fr2 D-S-P [N] | Fr2 C [N] |
|-------------|------------|-----|--------|-----------------|-------|---------------|------------------|--------------|
| 9,8 | 4811 | 1,0 | 149,59 | KXBC703 | 132MS | 4 | 40000 | 40000 |
| 9,4 | 5076 | 1,7 | 103,12 | KXBC903 | 132MB | 6 | 65000 | 65000 |
| 9,2 | 5209 | 1,0 | 105,83 | KXBC703 | 132MB | 6 | 40000 | 40000 |
| 8,9 | 5320 | 1,5 | 165,42 | KXBC903 | 132MS | 4 | 65000 | 65000 |
| 8,9 | 5355 | 0,9 | 166,53 | KXBC703 | 132MS | 4 | 40000 | 40000 |
| 8,7 | 5510 | 1,0 | 111,94 | KXBC703 | 132MB | 6 | 40000 | 40000 |
| 7,8 | 6098 | 1,4 | 123,88 | KXBC903 | 132MB | 6 | 65000 | 65000 |
| 7,3 | 6609 | 1,3 | 134,27 | KXBC903 | 132MB | 6 | 65000 | 65000 |
| 6,5 | 7347 | 1,1 | 149,26 | KXBC903 | 132MB | 6 | 65000 | 65000 |
| 5,9 | 8142 | 1,0 | 165,42 | KXBC903 | 132MB | 6 | 65000 | 65000 |

7,50 kW

| n2 [rpm] | M2 [Nm] | fs | i | Gear reducer | Size | Motor Pole | Fr2 D-S-P [N] | Fr2 C [N] |
|-------------|------------|-----|-------|-----------------|------|---------------|------------------|--------------|
| 281,1 | 221 | 2,2 | 10,49 | KXBC403 | 132M | 2 | 11196 | 3199 |
| 270,1 | 230 | 3,2 | 10,92 | KXBC503 | 132M | 2 | 14167 | 4048 |
| 244,8 | 255 | 2,9 | 12,05 | KXBC503 | 132M | 2 | 14617 | 4176 |
| 196,9 | 316 | 2,8 | 14,99 | KXBC503 | 132M | 2 | 15520 | 4434 |
| 187,0 | 345 | 1,5 | 7,81 | KXBC403 | 132M | 4 | 12415 | 3547 |
| 179,6 | 359 | 2,2 | 8,13 | KXBC503 | 132M | 4 | 15901 | 4543 |
| 177,8 | 350 | 1,8 | 16,60 | KXBC403 | 132M | 2 | 12670 | 3620 |
| 170,9 | 365 | 2,9 | 17,27 | KXBC503 | 132M | 2 | 16201 | 4629 |
| 169,3 | 381 | 1,6 | 8,62 | KXBC403 | 132M | 4 | 12729 | 3637 |
| 162,8 | 396 | 2,3 | 8,97 | KXBC503 | 132M | 4 | 16385 | 4681 |
| 161,0 | 387 | 1,6 | 18,32 | KXBC403 | 132M | 2 | 12989 | 3711 |
| 154,8 | 402 | 2,6 | 19,06 | KXBC503 | 132M | 2 | 16661 | 4760 |
| 139,2 | 464 | 1,4 | 10,49 | KXBC403 | 132M | 4 | 13371 | 3820 |
| 133,7 | 483 | 2,1 | 10,92 | KXBC503 | 132M | 4 | 17313 | 4947 |
| 126,0 | 512 | 1,5 | 11,59 | KXBC403 | 132M | 4 | 13660 | 3903 |
| 124,5 | 500 | 2,1 | 23,70 | KXBC503 | 132M | 2 | 17741 | 5069 |
| 121,1 | 532 | 1,9 | 12,05 | KXBC503 | 132M | 4 | 17786 | 5082 |
| 117,0 | 551 | 3,6 | 12,48 | KXBC603 | 132M | 4 | 25194 | 7198 |
| 114,0 | 546 | 3,8 | 25,89 | KXBC603 | 132M | 2 | 25460 | 7274 |
| 111,3 | 559 | 2,0 | 26,51 | KXBC503 | 132M | 2 | 18293 | 5226 |
| 110,4 | 563 | 1,1 | 26,71 | KXBC403 | 132M | 2 | 14194 | 4055 |
| 107,2 | 580 | 3,6 | 27,51 | KXBC603 | 132M | 2 | 25868 | 7391 |
| 105,5 | 611 | 3,4 | 13,84 | KXBC603 | 132M | 4 | 25837 | 7382 |
| 101,2 | 637 | 1,3 | 14,43 | KXBC403 | 132M | 4 | 14334 | 4095 |
| 100,1 | 622 | 1,0 | 29,50 | KXBC403 | 132M | 2 | 14502 | 4143 |
| 97,4 | 662 | 1,8 | 14,99 | KXBC503 | 132M | 4 | 18819 | 5377 |
| 96,6 | 645 | 1,8 | 30,55 | KXBC503 | 132M | 2 | 18965 | 5418 |
| 95,8 | 650 | 3,2 | 30,79 | KXBC603 | 132M | 2 | 26630 | 7609 |

7,50 kW

| n2 [rpm] | M2 [Nm] | fs | i | Gear reducer | Motor Size | Pole | Fr2 D-S-P [N] | Fr2 C [N] |
|-------------|------------|-----|-------|-----------------|---------------|------|------------------|--------------|
| 95,0 | 679 | 3,1 | 15,38 | KXBC603 | 132M | 4 | 26583 | 7595 |
| 94,3 | 660 | 3,2 | 31,26 | KXBC603 | 132M | 2 | 26733 | 7638 |
| 89,2 | 697 | 1,8 | 33,07 | KXBC503 | 132M | 2 | 19396 | 5542 |
| 88,0 | 733 | 1,2 | 16,60 | KXBC403 | 132M | 4 | 14746 | 4213 |
| 85,1 | 731 | 2,9 | 34,68 | KXBC603 | 132M | 2 | 27437 | 7839 |
| 84,5 | 763 | 1,8 | 17,27 | KXBC503 | 132M | 4 | 19522 | 5578 |
| 82,3 | 757 | 1,7 | 35,87 | KXBC503 | 132M | 2 | 19772 | 5649 |
| 79,6 | 809 | 1,0 | 18,32 | KXBC403 | 132M | 4 | 15045 | 4298 |
| 78,6 | 820 | 2,7 | 18,58 | KXBC603 | 132M | 4 | 27840 | 7954 |
| 76,6 | 841 | 1,7 | 19,06 | KXBC503 | 132M | 4 | 20046 | 5727 |
| 72,8 | 855 | 2,5 | 40,53 | KXBC603 | 132M | 2 | 28446 | 8128 |
| 71,7 | 867 | 1,5 | 41,12 | KXBC503 | 132M | 2 | 20465 | 5847 |
| 70,8 | 910 | 2,7 | 20,61 | KXBC603 | 132M | 4 | 28482 | 8138 |
| 66,8 | 932 | 3,8 | 44,16 | KXBC703 | 132M | 2 | 28280 | 28280 |
| 66,1 | 941 | 1,3 | 44,61 | KXBC503 | 132M | 2 | 20912 | 5975 |
| 65,7 | 947 | 2,4 | 44,89 | KXBC603 | 132M | 2 | 29134 | 8324 |
| 64,1 | 1006 | 2,8 | 22,78 | KXBC603 | 132M | 4 | 29185 | 8338 |
| 62,3 | 997 | 1,3 | 47,28 | KXBC503 | 132M | 2 | 21207 | 6059 |
| 61,6 | 1047 | 1,3 | 23,70 | KXBC503 | 132M | 4 | 21130 | 6037 |
| 61,0 | 1020 | 3,7 | 48,35 | KXBC703 | 132M | 2 | 28946 | 28946 |
| 59,2 | 1051 | 2,3 | 49,80 | KXBC603 | 132M | 2 | 29915 | 8547 |
| 58,7 | 1060 | 1,2 | 50,24 | KXBC503 | 132M | 2 | 21478 | 6137 |
| 56,4 | 1143 | 2,4 | 25,89 | KXBC603 | 132M | 4 | 30000 | 8574 |
| 55,7 | 1118 | 1,1 | 53,02 | KXBC503 | 132M | 2 | 21748 | 6214 |
| 55,5 | 1121 | 3,3 | 53,16 | KXBC703 | 132M | 2 | 29644 | 29644 |
| 55,1 | 1171 | 1,3 | 26,51 | KXBC503 | 132M | 4 | 21648 | 6185 |
| 54,3 | 1145 | 2,1 | 54,30 | KXBC603 | 132M | 2 | 30000 | 8709 |
| 54,0 | 1152 | 3,2 | 54,63 | KXBC703 | 132M | 2 | 29896 | 29896 |
| 53,2 | 1212 | 3,8 | 27,44 | KXBC703 | 132M | 4 | 29770 | 29770 |
| 53,1 | 1215 | 2,3 | 27,51 | KXBC603 | 132M | 4 | 30000 | 8671 |
| 50,4 | 1234 | 1,0 | 58,50 | KXBC503 | 132M | 2 | 22000 | 6363 |
| 50,0 | 1245 | 3,0 | 59,02 | KXBC703 | 132M | 2 | 30465 | 30465 |
| 49,7 | 1252 | 1,9 | 59,36 | KXBC603 | 132M | 2 | 30000 | 8847 |
| 48,6 | 1327 | 3,5 | 30,05 | KXBC703 | 132M | 4 | 30424 | 30424 |
| 47,8 | 1349 | 1,2 | 30,55 | KXBC503 | 132M | 4 | 22000 | 6381 |
| 47,4 | 1360 | 2,1 | 30,79 | KXBC603 | 132M | 4 | 30000 | 8870 |
| 47,1 | 1320 | 1,9 | 62,59 | KXBC603 | 132M | 2 | 30000 | 8943 |
| 46,7 | 1381 | 2,0 | 31,26 | KXBC603 | 132M | 4 | 30000 | 8908 |
| 45,5 | 1369 | 2,7 | 64,88 | KXBC703 | 132M | 2 | 31110 | 31110 |
| 44,2 | 1460 | 1,2 | 33,07 | KXBC503 | 132M | 4 | 22000 | 6488 |
| 44,2 | 1457 | 3,2 | 33,01 | KXBC703 | 132M | 4 | 31099 | 31099 |
| 42,5 | 1464 | 1,7 | 69,43 | KXBC603 | 132M | 2 | 30000 | 9137 |

7,50 kW

| n2 [rpm] | M2 [Nm] | fs | i | Gear reducer | Size | Motor Pole | Fr2 D-S-P [N] | Fr2 C [N] |
|-------------|------------|-----|--------|-----------------|------|---------------|------------------|--------------|
| 42,1 | 1531 | 1,8 | 34,68 | KXBC603 | 132M | 4 | 30000 | 9082 |
| 41,9 | 1486 | 2,5 | 70,43 | KXBC703 | 132M | 2 | 31759 | 31759 |
| 41,5 | 1500 | 4,0 | 71,15 | KXBC903 | 132M | 2 | 55763 | 55763 |
| 40,7 | 1584 | 1,1 | 35,87 | KXBC503 | 132M | 4 | 22000 | 6604 |
| 39,8 | 1619 | 3,0 | 36,67 | KXBC703 | 132M | 4 | 31847 | 31847 |
| 39,6 | 1569 | 1,7 | 74,42 | KXBC603 | 132M | 2 | 30000 | 9266 |
| 38,2 | 1627 | 2,3 | 77,12 | KXBC703 | 132M | 2 | 32413 | 32413 |
| 38,2 | 1629 | 3,6 | 77,22 | KXBC903 | 132M | 2 | 57162 | 57162 |
| 36,9 | 1688 | 1,6 | 80,04 | KXBC603 | 132M | 2 | 30000 | 9362 |
| 36,2 | 1779 | 2,7 | 40,29 | KXBC703 | 132M | 4 | 32504 | 32504 |
| 36,0 | 1790 | 1,6 | 40,53 | KXBC603 | 132M | 4 | 30000 | 9316 |
| 35,5 | 1816 | 0,9 | 41,12 | KXBC503 | 132M | 4 | 22000 | 6769 |
| 35,2 | 1769 | 3,4 | 83,89 | KXBC903 | 132M | 2 | 58364 | 58364 |
| 34,5 | 1804 | 2,1 | 85,54 | KXBC703 | 132M | 2 | 33150 | 33150 |
| 33,7 | 1849 | 3,2 | 87,65 | KXBC903 | 132M | 2 | 59379 | 59379 |
| 33,1 | 1950 | 2,5 | 44,16 | KXBC703 | 132M | 4 | 33133 | 33133 |
| 32,8 | 1895 | 1,4 | 89,87 | KXBC603 | 132M | 2 | 30000 | 9551 |
| 32,5 | 1982 | 1,5 | 44,89 | KXBC603 | 132M | 4 | 30000 | 9473 |
| 31,7 | 1962 | 3,0 | 93,05 | KXBC903 | 132M | 2 | 60447 | 60447 |
| 31,3 | 1985 | 1,9 | 94,13 | KXBC703 | 132M | 2 | 33721 | 33721 |
| 30,7 | 2099 | 3,8 | 47,53 | KXBC903 | 132M | 4 | 60664 | 60664 |
| 30,2 | 2135 | 2,3 | 48,35 | KXBC703 | 132M | 4 | 33782 | 33782 |
| 29,6 | 2103 | 1,2 | 99,70 | KXBC603 | 132M | 2 | 30000 | 9697 |
| 29,3 | 2199 | 1,5 | 49,80 | KXBC603 | 132M | 4 | 30000 | 9600 |
| 28,9 | 2233 | 3,6 | 50,56 | KXBC903 | 132M | 4 | 61906 | 61906 |
| 28,6 | 2174 | 2,7 | 103,12 | KXBC903 | 132M | 2 | 62190 | 62190 |
| 27,9 | 2232 | 1,7 | 105,83 | KXBC703 | 132M | 2 | 34513 | 34513 |
| 27,7 | 2249 | 1,2 | 106,65 | KXBC603 | 132M | 2 | 30000 | 9793 |
| 27,5 | 2347 | 2,1 | 53,16 | KXBC703 | 132M | 4 | 34349 | 34349 |
| 26,9 | 2398 | 1,3 | 54,30 | KXBC603 | 132M | 4 | 30000 | 9708 |
| 26,7 | 2413 | 3,3 | 54,64 | KXBC903 | 132M | 4 | 63203 | 63203 |
| 26,7 | 2412 | 2,1 | 54,63 | KXBC703 | 132M | 4 | 34562 | 34562 |
| 26,4 | 2361 | 1,6 | 111,94 | KXBC703 | 132M | 2 | 34924 | 34924 |
| 25,5 | 2529 | 3,2 | 57,27 | KXBC903 | 132M | 4 | 64077 | 64077 |
| 24,8 | 2606 | 1,9 | 59,02 | KXBC703 | 132M | 4 | 35033 | 35033 |
| 24,6 | 2522 | 1,0 | 119,60 | KXBC603 | 132M | 2 | 30000 | 9922 |
| 24,6 | 2621 | 1,2 | 59,36 | KXBC603 | 132M | 4 | 30000 | 9790 |
| 24,0 | 2690 | 3,0 | 60,92 | KXBC903 | 132M | 4 | 65000 | 65000 |
| 23,9 | 2612 | 2,3 | 123,88 | KXBC903 | 132M | 2 | 65000 | 65000 |
| 23,7 | 2628 | 1,4 | 124,62 | KXBC703 | 132M | 2 | 35597 | 35597 |
| 23,3 | 2763 | 1,2 | 62,59 | KXBC603 | 132M | 4 | 30000 | 9836 |
| 23,0 | 2803 | 2,8 | 63,47 | KXBC903 | 132M | 4 | 65000 | 65000 |

7,50 kW

| n2 [rpm] | M2 [Nm] | fs | i | Gear reducer | Size | Motor Pole | Fr2 D-S-P [N] | Fr2 C [N] |
|----------|---------|-----|--------|--------------|------|------------|---------------|-----------|
| 22,5 | 2865 | 1,7 | 64,88 | KXBC703 | 132M | 4 | 35541 | 35541 |
| 21,9 | 2832 | 2,1 | 134,27 | KXBC903 | 132M | 2 | 65000 | 65000 |
| 21,6 | 2878 | 1,3 | 136,44 | KXBC703 | 132M | 2 | 36173 | 36173 |
| 21,0 | 3066 | 1,1 | 69,43 | KXBC603 | 132M | 4 | 30000 | 9909 |
| 20,7 | 3110 | 1,6 | 70,43 | KXBC703 | 132M | 4 | 35986 | 35986 |
| 20,5 | 3141 | 2,5 | 71,15 | KXBC903 | 132M | 4 | 65000 | 65000 |
| 19,8 | 3155 | 1,2 | 149,59 | KXBC703 | 132M | 2 | 36678 | 36678 |
| 19,8 | 3148 | 1,9 | 149,26 | KXBC903 | 132M | 2 | 65000 | 65000 |
| 19,6 | 3286 | 1,1 | 74,42 | KXBC603 | 132M | 4 | 30000 | 9942 |
| 18,9 | 3405 | 1,5 | 77,12 | KXBC703 | 132M | 4 | 36439 | 36439 |
| 18,9 | 3410 | 2,3 | 77,22 | KXBC903 | 132M | 4 | 65000 | 65000 |
| 18,2 | 3534 | 1,0 | 80,04 | KXBC603 | 132M | 4 | 30000 | 9963 |
| 17,8 | 3488 | 1,7 | 165,42 | KXBC903 | 132M | 2 | 65000 | 65000 |
| 17,7 | 3512 | 1,1 | 166,53 | KXBC703 | 132M | 2 | 37180 | 37180 |
| 17,4 | 3704 | 2,2 | 83,89 | KXBC903 | 132M | 4 | 65000 | 65000 |
| 17,1 | 3777 | 1,3 | 85,54 | KXBC703 | 132M | 4 | 36899 | 36899 |
| 16,6 | 3870 | 2,1 | 87,65 | KXBC903 | 132M | 4 | 65000 | 65000 |
| 15,7 | 4109 | 1,9 | 93,05 | KXBC903 | 132M | 4 | 65000 | 65000 |
| 15,5 | 4156 | 1,2 | 94,13 | KXBC703 | 132M | 4 | 37282 | 37282 |
| 14,2 | 4553 | 1,8 | 103,12 | KXBC903 | 132M | 4 | 65000 | 65000 |
| 13,8 | 4673 | 1,1 | 105,83 | KXBC703 | 132M | 4 | 37603 | 37603 |
| 13,0 | 4942 | 1,0 | 111,94 | KXBC703 | 132M | 4 | 37724 | 37724 |
| 11,8 | 5469 | 1,5 | 123,88 | KXBC903 | 132M | 4 | 65000 | 65000 |
| 11,7 | 5502 | 0,9 | 124,62 | KXBC703 | 132M | 4 | 37870 | 37870 |
| 10,9 | 5928 | 1,3 | 134,27 | KXBC903 | 132M | 4 | 65000 | 65000 |
| 9,8 | 6591 | 1,2 | 149,26 | KXBC903 | 132M | 4 | 65000 | 65000 |
| 8,9 | 7304 | 1,1 | 165,42 | KXBC903 | 132M | 4 | 65000 | 65000 |

11,00 kW

| n2 [rpm] | M2 [Nm] | fs | i | Gear reducer | Size | Motor Pole | Fr2 D-S-P [N] | Fr2 C [N] |
|----------|---------|-----|-------|--------------|-------|------------|---------------|-----------|
| 185,2 | 511 | 2,9 | 7,97 | KXBC603 | 160MA | 4 | 21443 | 6126 |
| 181,5 | 521 | 1,5 | 8,13 | KXBC503 | 160MA | 4 | 15378 | 4394 |
| 164,5 | 575 | 1,6 | 8,97 | KXBC503 | 160MA | 4 | 15780 | 4508 |
| 153,3 | 617 | 2,9 | 9,62 | KXBC603 | 160MA | 4 | 22483 | 6424 |
| 142,7 | 662 | 3,0 | 10,33 | KXBC603 | 160MA | 4 | 22879 | 6537 |
| 135,1 | 700 | 1,4 | 10,92 | KXBC503 | 160MA | 4 | 16591 | 4740 |
| 122,4 | 772 | 1,3 | 12,05 | KXBC503 | 160MA | 4 | 16997 | 4856 |
| 121,8 | 784 | 2,0 | 7,97 | KXBC603 | 160L | 6 | 23714 | 6775 |
| 119,4 | 800 | 1,0 | 8,13 | KXBC503 | 160L | 6 | 17078 | 4879 |
| 118,2 | 800 | 2,5 | 12,48 | KXBC603 | 160MA | 4 | 23911 | 6832 |
| 108,2 | 883 | 1,1 | 8,97 | KXBC503 | 160L | 6 | 17480 | 4994 |

11,00 kW

| n2 [rpm] | M2 [Nm] | fs | i | Gear reducer | Motor Size | Pole | Fr2 D-S-P [N] | Fr2 C [N] |
|-------------|------------|-----|-------|-----------------|---------------|------|------------------|--------------|
| 106,5 | 887 | 2,4 | 13,84 | KXBC603 | 160MA | 4 | 24471 | 6992 |
| 101,8 | 928 | 3,3 | 14,49 | KXBC703 | 160MA | 4 | 24187 | 24187 |
| 100,8 | 947 | 2,0 | 9,62 | KXBC603 | 160L | 6 | 24720 | 7063 |
| 98,4 | 961 | 1,2 | 14,99 | KXBC503 | 160MA | 4 | 17890 | 5111 |
| 95,9 | 986 | 2,1 | 15,38 | KXBC603 | 160MA | 4 | 25027 | 7151 |
| 93,9 | 1017 | 2,1 | 10,33 | KXBC603 | 160L | 6 | 25092 | 7169 |
| 89,5 | 1067 | 3,0 | 10,84 | KXBC703 | 160L | 6 | 24927 | 24927 |
| 88,8 | 1075 | 1,0 | 10,92 | KXBC503 | 160L | 6 | 18272 | 5221 |
| 86,6 | 1092 | 2,9 | 17,04 | KXBC703 | 160MA | 4 | 25160 | 25160 |
| 85,4 | 1107 | 1,3 | 17,27 | KXBC503 | 160MA | 4 | 18458 | 5274 |
| 81,7 | 1168 | 2,8 | 11,87 | KXBC703 | 160L | 6 | 25464 | 25464 |
| 79,4 | 1191 | 1,8 | 18,58 | KXBC603 | 160MA | 4 | 25985 | 7424 |
| 79,1 | 1196 | 3,0 | 18,66 | KXBC703 | 160MA | 4 | 25699 | 25699 |
| 77,7 | 1229 | 1,7 | 12,48 | KXBC603 | 160L | 6 | 26034 | 7438 |
| 77,4 | 1221 | 1,1 | 19,06 | KXBC503 | 160MA | 4 | 18843 | 5384 |
| 76,7 | 1245 | 3,8 | 12,64 | KXBC903 | 160L | 6 | 45297 | 45297 |
| 71,6 | 1321 | 1,9 | 20,61 | KXBC603 | 160MA | 4 | 26483 | 7567 |
| 70,2 | 1346 | 3,0 | 21,00 | KXBC703 | 160MA | 4 | 26394 | 26394 |
| 70,1 | 1363 | 1,6 | 13,84 | KXBC603 | 160L | 6 | 26520 | 7577 |
| 69,2 | 1379 | 3,8 | 14,01 | KXBC903 | 160L | 6 | 46724 | 46724 |
| 67,0 | 1426 | 2,3 | 14,49 | KXBC703 | 160L | 6 | 26627 | 26627 |
| 64,8 | 1460 | 3,0 | 22,77 | KXBC703 | 160MA | 4 | 26864 | 26864 |
| 64,7 | 1460 | 1,9 | 22,78 | KXBC603 | 160MA | 4 | 26938 | 7696 |
| 63,1 | 1514 | 1,5 | 15,38 | KXBC603 | 160L | 6 | 26984 | 7710 |
| 63,0 | 1516 | 3,5 | 15,40 | KXBC903 | 160L | 6 | 48069 | 48069 |
| 62,2 | 1519 | 0,9 | 23,70 | KXBC503 | 160MA | 4 | 19656 | 5616 |
| 57,6 | 1643 | 2,8 | 25,63 | KXBC703 | 160MA | 4 | 27533 | 27533 |
| 57,0 | 1659 | 1,7 | 25,89 | KXBC603 | 160MA | 4 | 27472 | 7849 |
| 56,9 | 1678 | 2,0 | 17,04 | KXBC703 | 160L | 6 | 27541 | 27541 |
| 53,7 | 1759 | 2,6 | 27,44 | KXBC703 | 160MA | 4 | 27910 | 27910 |
| 53,6 | 1763 | 1,6 | 27,51 | KXBC603 | 160MA | 4 | 27705 | 7916 |
| 52,3 | 1827 | 3,4 | 18,56 | KXBC903 | 160L | 6 | 50804 | 50804 |
| 52,2 | 1829 | 1,3 | 18,58 | KXBC603 | 160L | 6 | 27719 | 7920 |
| 52,0 | 1837 | 2,1 | 18,66 | KXBC703 | 160L | 6 | 28032 | 28032 |
| 49,1 | 1926 | 2,4 | 30,05 | KXBC703 | 160MA | 4 | 28396 | 28396 |
| 47,9 | 1974 | 1,4 | 30,79 | KXBC603 | 160MA | 4 | 28096 | 8027 |
| 47,2 | 2004 | 1,4 | 31,26 | KXBC603 | 160MA | 4 | 28143 | 8041 |
| 47,2 | 2024 | 3,4 | 20,56 | KXBC903 | 160L | 6 | 52359 | 52359 |
| 47,1 | 2029 | 1,3 | 20,61 | KXBC603 | 160L | 6 | 28058 | 8017 |
| 46,2 | 2067 | 2,0 | 21,00 | KXBC703 | 160L | 6 | 28645 | 28645 |
| 44,7 | 2116 | 2,2 | 33,01 | KXBC703 | 160MA | 4 | 28879 | 28879 |
| 43,9 | 2156 | 3,7 | 33,63 | KXBC903 | 160MA | 4 | 53512 | 53512 |

11,00 kW

| n2 [rpm] | M2 [Nm] | fs | i | Gear reducer | Motor Size | Pole | Fr2 D-S-P [N] | Fr2 C [N] |
|-------------|------------|-----|-------|-----------------|---------------|------|------------------|--------------|
| 42,6 | 2243 | 1,3 | 22,78 | KXBC603 | 160L | 6 | 28332 | 8095 |
| 42,6 | 2242 | 2,1 | 22,77 | KXBC703 | 160L | 6 | 29044 | 29044 |
| 42,5 | 2223 | 1,3 | 34,68 | KXBC603 | 160MA | 4 | 28438 | 8125 |
| 42,1 | 2245 | 3,6 | 35,02 | KXBC903 | 160MA | 4 | 54142 | 54142 |
| 40,7 | 2349 | 3,0 | 23,86 | KXBC903 | 160L | 6 | 54664 | 54664 |
| 40,2 | 2351 | 2,0 | 36,67 | KXBC703 | 160MA | 4 | 29389 | 29389 |
| 38,5 | 2480 | 2,9 | 25,19 | KXBC903 | 160L | 6 | 55521 | 55521 |
| 38,0 | 2487 | 3,2 | 38,81 | KXBC903 | 160MA | 4 | 55766 | 55766 |
| 37,8 | 2523 | 1,9 | 25,63 | KXBC703 | 160L | 6 | 29586 | 29586 |
| 37,5 | 2549 | 1,2 | 25,89 | KXBC603 | 160L | 6 | 28592 | 8169 |
| 36,6 | 2583 | 1,9 | 40,29 | KXBC703 | 160MA | 4 | 29812 | 29812 |
| 36,4 | 2598 | 1,1 | 40,53 | KXBC603 | 160MA | 4 | 28754 | 8216 |
| 35,3 | 2708 | 1,1 | 27,51 | KXBC603 | 160L | 6 | 28674 | 8193 |
| 35,3 | 2702 | 1,8 | 27,44 | KXBC703 | 160L | 6 | 29876 | 29876 |
| 34,9 | 2711 | 3,0 | 42,30 | KXBC903 | 160MA | 4 | 57150 | 57150 |
| 34,4 | 2779 | 3,0 | 28,23 | KXBC903 | 160L | 6 | 57351 | 57351 |
| 33,7 | 2835 | 3,8 | 28,80 | KXBC1003 | 160L | 6 | 80000 | 65000 |
| 33,4 | 2831 | 1,7 | 44,16 | KXBC703 | 160MA | 4 | 30190 | 30190 |
| 32,9 | 2877 | 1,0 | 44,89 | KXBC603 | 160MA | 4 | 28865 | 8247 |
| 32,3 | 2958 | 1,7 | 30,05 | KXBC703 | 160L | 6 | 30227 | 30227 |
| 32,0 | 2988 | 2,8 | 30,35 | KXBC903 | 160L | 6 | 58529 | 58529 |
| 31,5 | 3031 | 1,0 | 30,79 | KXBC603 | 160L | 6 | 28747 | 8214 |
| 31,4 | 3044 | 4,0 | 30,92 | KXBC1003 | 160L | 6 | 80000 | 65000 |
| 31,0 | 3078 | 1,0 | 31,26 | KXBC603 | 160L | 6 | 28749 | 8214 |
| 31,0 | 3047 | 2,6 | 47,53 | KXBC903 | 160MA | 4 | 59058 | 59058 |
| 30,5 | 3099 | 1,6 | 48,35 | KXBC703 | 160MA | 4 | 30524 | 30524 |
| 29,6 | 3192 | 1,0 | 49,80 | KXBC603 | 160MA | 4 | 28885 | 8253 |
| 29,4 | 3250 | 1,5 | 33,01 | KXBC703 | 160L | 6 | 30547 | 30547 |
| 29,2 | 3241 | 2,5 | 50,56 | KXBC903 | 160MA | 4 | 60082 | 60082 |
| 28,9 | 3269 | 4,0 | 51,00 | KXBC1003 | 160MA | 4 | 80000 | 65000 |
| 28,8 | 3311 | 2,5 | 33,63 | KXBC903 | 160L | 6 | 60224 | 60224 |
| 28,3 | 3372 | 3,7 | 34,25 | KXBC1003 | 160L | 6 | 80000 | 65000 |
| 27,7 | 3407 | 1,5 | 53,16 | KXBC703 | 160MA | 4 | 30825 | 30825 |
| 27,7 | 3447 | 2,4 | 35,02 | KXBC903 | 160L | 6 | 60897 | 60897 |
| 27,5 | 3438 | 3,8 | 53,63 | KXBC1003 | 160MA | 4 | 80000 | 65000 |
| 27,2 | 3480 | 0,9 | 54,30 | KXBC603 | 160MA | 4 | 28821 | 8235 |
| 27,0 | 3501 | 1,4 | 54,63 | KXBC703 | 160MA | 4 | 30902 | 30902 |
| 27,0 | 3502 | 2,3 | 54,64 | KXBC903 | 160MA | 4 | 61380 | 61380 |
| 26,5 | 3610 | 1,4 | 36,67 | KXBC703 | 160L | 6 | 30842 | 30842 |
| 25,8 | 3708 | 3,5 | 37,66 | KXBC1003 | 160L | 6 | 80000 | 65000 |
| 25,8 | 3671 | 2,2 | 57,27 | KXBC903 | 160MA | 4 | 62173 | 62173 |
| 25,0 | 3780 | 3,4 | 58,97 | KXBC1003 | 160MA | 4 | 80000 | 65000 |

11,00 kW

| n2 [rpm] | M2 [Nm] | fs | i | Gear reducer | Motor Size | Pole | Fr2 D-S-P [N] | Fr2 C [N] |
|-------------|------------|-----|--------|-----------------|---------------|------|------------------|--------------|
| 25,0 | 3783 | 1,3 | 59,02 | KXBC703 | 160MA | 4 | 31091 | 31091 |
| 25,0 | 3820 | 2,2 | 38,81 | KXBC903 | 160L | 6 | 62624 | 62624 |
| 24,2 | 3905 | 2,0 | 60,92 | KXBC903 | 160MA | 4 | 63222 | 63222 |
| 24,1 | 3966 | 1,3 | 40,29 | KXBC703 | 160L | 6 | 31042 | 31042 |
| 23,9 | 4002 | 3,3 | 40,65 | KXBC1003 | 160L | 6 | 80000 | 65000 |
| 23,2 | 4068 | 2,0 | 63,47 | KXBC903 | 160MA | 4 | 63921 | 63921 |
| 22,9 | 4164 | 2,0 | 42,30 | KXBC903 | 160L | 6 | 64086 | 64086 |
| 22,7 | 4159 | 1,2 | 64,88 | KXBC703 | 160MA | 4 | 31262 | 31262 |
| 22,0 | 4347 | 1,2 | 44,16 | KXBC703 | 160L | 6 | 31169 | 31169 |
| 21,5 | 4439 | 2,8 | 45,09 | KXBC1003 | 160L | 6 | 80000 | 65000 |
| 21,1 | 4472 | 2,9 | 69,78 | KXBC1003 | 160MA | 4 | 80000 | 65000 |
| 20,9 | 4515 | 1,1 | 70,43 | KXBC703 | 160MA | 4 | 31350 | 31350 |
| 20,7 | 4560 | 1,8 | 71,15 | KXBC903 | 160MA | 4 | 65000 | 65000 |
| 20,4 | 4679 | 1,8 | 47,53 | KXBC903 | 160L | 6 | 65000 | 65000 |
| 20,1 | 4760 | 1,1 | 48,35 | KXBC703 | 160L | 6 | 31221 | 31221 |
| 19,2 | 4917 | 2,6 | 76,72 | KXBC1003 | 160MA | 4 | 80000 | 65000 |
| 19,2 | 4978 | 1,7 | 50,56 | KXBC903 | 160L | 6 | 65000 | 65000 |
| 19,1 | 4943 | 1,0 | 77,12 | KXBC703 | 160MA | 4 | 31373 | 31373 |
| 19,1 | 4950 | 1,6 | 77,22 | KXBC903 | 160MA | 4 | 65000 | 65000 |
| 19,0 | 5021 | 2,7 | 51,00 | KXBC1003 | 160L | 6 | 80000 | 65000 |
| 18,2 | 5233 | 1,0 | 53,16 | KXBC703 | 160L | 6 | 31186 | 31186 |
| 18,1 | 5279 | 2,6 | 53,63 | KXBC1003 | 160L | 6 | 80000 | 65000 |
| 17,8 | 5378 | 1,0 | 54,63 | KXBC703 | 160L | 6 | 31157 | 31157 |
| 17,8 | 5379 | 1,6 | 54,64 | KXBC903 | 160L | 6 | 65000 | 65000 |
| 17,6 | 5377 | 1,5 | 83,89 | KXBC903 | 160MA | 4 | 65000 | 65000 |
| 17,2 | 5483 | 0,9 | 85,54 | KXBC703 | 160MA | 4 | 31291 | 31291 |
| 16,9 | 5611 | 2,3 | 87,54 | KXBC1003 | 160MA | 4 | 80000 | 65000 |
| 16,9 | 5638 | 1,5 | 57,27 | KXBC903 | 160L | 6 | 65000 | 65000 |
| 16,8 | 5618 | 1,4 | 87,65 | KXBC903 | 160MA | 4 | 65000 | 65000 |
| 16,5 | 5805 | 2,4 | 58,97 | KXBC1003 | 160L | 6 | 80000 | 65000 |
| 16,4 | 5810 | 0,9 | 59,02 | KXBC703 | 160L | 6 | 31026 | 31026 |
| 15,9 | 5997 | 1,4 | 60,92 | KXBC903 | 160L | 6 | 65000 | 65000 |
| 15,9 | 5964 | 1,3 | 93,05 | KXBC903 | 160MA | 4 | 65000 | 65000 |
| 15,3 | 6169 | 2,1 | 96,25 | KXBC1003 | 160MA | 4 | 80000 | 65000 |
| 15,3 | 6248 | 1,3 | 63,47 | KXBC903 | 160L | 6 | 65000 | 65000 |
| 14,3 | 6610 | 1,2 | 103,12 | KXBC903 | 160MA | 4 | 65000 | 65000 |
| 14,2 | 6662 | 2,0 | 103,93 | KXBC1003 | 160MA | 4 | 80000 | 65000 |
| 13,9 | 6869 | 2,0 | 69,78 | KXBC1003 | 160L | 6 | 80000 | 65000 |
| 13,6 | 7004 | 1,2 | 71,15 | KXBC903 | 160L | 6 | 65000 | 65000 |
| 12,9 | 7325 | 1,8 | 114,27 | KXBC1003 | 160MA | 4 | 80000 | 65000 |
| 12,6 | 7552 | 1,8 | 76,72 | KXBC1003 | 160L | 6 | 80000 | 65000 |
| 12,6 | 7602 | 1,1 | 77,22 | KXBC903 | 160L | 6 | 65000 | 65000 |

11,00 kW

| n2 [rpm] | M2 [Nm] | fs | i | Gear reducer | Size | Motor Pole | Fr2 D-S-P [N] | Fr2 C [N] |
|----------|---------|-----|--------|--------------|-------|------------|---------------|-----------|
| 11,9 | 7940 | 1,0 | 123,88 | KXBC903 | 160MA | 4 | 65000 | 65000 |
| 11,7 | 8095 | 1,6 | 126,29 | KXBC1003 | 160MA | 4 | 80000 | 65000 |
| 11,6 | 8258 | 1,0 | 83,89 | KXBC903 | 160L | 6 | 65000 | 65000 |
| 11,1 | 8617 | 1,6 | 87,54 | KXBC1003 | 160L | 6 | 80000 | 65000 |
| 11,1 | 8629 | 1,0 | 87,65 | KXBC903 | 160L | 6 | 65000 | 65000 |
| 11,0 | 8606 | 0,9 | 134,27 | KXBC903 | 160MA | 4 | 65000 | 65000 |
| 10,6 | 8900 | 1,5 | 138,85 | KXBC1003 | 160MA | 4 | 80000 | 65000 |
| 10,4 | 9160 | 0,9 | 93,05 | KXBC903 | 160L | 6 | 65000 | 65000 |
| 10,1 | 9475 | 1,4 | 96,25 | KXBC1003 | 160L | 6 | 80000 | 65000 |
| 9,5 | 9924 | 1,3 | 154,83 | KXBC1003 | 160MA | 4 | 80000 | 65000 |
| 9,3 | 10231 | 1,3 | 103,93 | KXBC1003 | 160L | 6 | 80000 | 65000 |
| 8,5 | 11249 | 1,2 | 114,27 | KXBC1003 | 160L | 6 | 80000 | 65000 |
| 7,7 | 12432 | 1,1 | 126,29 | KXBC1003 | 160L | 6 | 80000 | 65000 |
| 7,0 | 13669 | 1,0 | 138,85 | KXBC1003 | 160L | 6 | 80000 | 65000 |

15,00 kW

| n2 [rpm] | M2 [Nm] | fs | i | Gear reducer | Size | Motor Pole | Fr2 D-S-P [N] | Fr2 C [N] |
|----------|---------|-----|-------|--------------|---------------------|------------|---------------|-----------|
| 185,2 | 696 | 2,2 | 7,97 | KXBC603 | 160LA | 4 | 20589 | 5883 |
| 181,5 | 710 | 1,1 | 8,13 | KXBC503 | 160LA | 4 | 14833 | 4238 |
| 164,5 | 784 | 1,1 | 8,97 | KXBC503 | 160LA | 4 | 15179 | 4337 |
| 153,3 | 841 | 2,1 | 9,62 | KXBC603 | 160LA | 4 | 21453 | 6129 |
| 142,7 | 903 | 2,2 | 10,33 | KXBC603 | 160LA | 4 | 21771 | 6220 |
| 136,1 | 947 | 3,2 | 10,84 | KXBC703 | 160LA | 4 | 21649 | 21649 |
| 135,1 | 955 | 1,0 | 10,92 | KXBC503 | 160LA | 4 | 15859 | 4531 |
| 124,3 | 1037 | 3,0 | 11,87 | KXBC703 | 160LA | 4 | 22112 | 22112 |
| 123,0 | 1058 | 1,5 | 7,97 | KXBC603 | 180L ⁽²⁾ | 6 | 22361 | 6389 |
| 122,4 | 1053 | 0,9 | 12,05 | KXBC503 | 160LA | 4 | 16189 | 4626 |
| 118,2 | 1091 | 1,8 | 12,48 | KXBC603 | 160LA | 4 | 22574 | 6450 |
| 106,5 | 1210 | 1,7 | 13,84 | KXBC603 | 160LA | 4 | 22988 | 6568 |
| 101,9 | 1278 | 1,5 | 9,62 | KXBC603 | 180L ⁽²⁾ | 6 | 23100 | 6600 |
| 101,8 | 1266 | 2,4 | 14,49 | KXBC703 | 160LA | 4 | 23110 | 23110 |
| 98,4 | 1310 | 0,9 | 14,99 | KXBC503 | 160LA | 4 | 16885 | 4824 |
| 95,9 | 1345 | 1,6 | 15,38 | KXBC603 | 160LA | 4 | 23379 | 6680 |
| 95,8 | 1346 | 3,7 | 15,40 | KXBC903 | 160LA | 4 | 41822 | 41822 |
| 94,8 | 1373 | 1,5 | 10,33 | KXBC603 | 180L ⁽²⁾ | 6 | 23356 | 6673 |
| 93,4 | 1394 | 3,4 | 10,49 | KXBC903 | 180L ⁽²⁾ | 6 | 42116 | 42116 |
| 90,4 | 1440 | 2,2 | 10,84 | KXBC703 | 180L ⁽²⁾ | 6 | 23641 | 23641 |
| 86,6 | 1489 | 2,1 | 17,04 | KXBC703 | 160LA | 4 | 23893 | 23893 |
| 85,4 | 1510 | 0,9 | 17,27 | KXBC503 | 160LA | 4 | 17301 | 4943 |
| 82,6 | 1577 | 2,1 | 11,87 | KXBC703 | 180L ⁽²⁾ | 6 | 24062 | 24062 |
| 79,5 | 1622 | 3,7 | 18,56 | KXBC903 | 160LA | 4 | 44196 | 44196 |

⁽²⁾ With TBS brake motor, please contact our Technical Sales Support

15,00 kW

| n2 [rpm] | M2 [Nm] | fs | i | Gear reducer | Motor Size | Pole | Fr2 D-S-P [N] | Fr2 C [N] |
|-------------|------------|-----|-------|-----------------|---------------------|------|------------------|--------------|
| 79,4 | 1624 | 1,4 | 18,58 | KXBC603 | 160LA | 4 | 23995 | 6856 |
| 79,1 | 1631 | 2,2 | 18,66 | KXBC703 | 160LA | 4 | 24312 | 24312 |
| 78,5 | 1658 | 1,3 | 12,48 | KXBC603 | 180L ⁽²⁾ | 6 | 23952 | 6843 |
| 77,5 | 1680 | 2,8 | 12,64 | KXBC903 | 180L ⁽²⁾ | 6 | 44499 | 44499 |
| 71,7 | 1797 | 3,6 | 20,56 | KXBC903 | 160LA | 4 | 45545 | 45545 |
| 71,6 | 1801 | 1,4 | 20,61 | KXBC603 | 160LA | 4 | 24275 | 6936 |
| 70,8 | 1840 | 1,2 | 13,84 | KXBC603 | 180L ⁽²⁾ | 6 | 24218 | 6920 |
| 70,2 | 1835 | 2,2 | 21,00 | KXBC703 | 160LA | 4 | 24832 | 24832 |
| 69,9 | 1862 | 2,8 | 14,01 | KXBC903 | 180L ⁽²⁾ | 6 | 45852 | 45852 |
| 67,7 | 1925 | 1,7 | 14,49 | KXBC703 | 180L ⁽²⁾ | 6 | 24931 | 24931 |
| 64,8 | 1990 | 2,2 | 22,77 | KXBC703 | 160LA | 4 | 25171 | 25171 |
| 64,7 | 1991 | 1,4 | 22,78 | KXBC603 | 160LA | 4 | 24497 | 6999 |
| 63,7 | 2044 | 1,1 | 15,38 | KXBC603 | 180L ⁽²⁾ | 6 | 24435 | 6981 |
| 63,6 | 2046 | 2,6 | 15,40 | KXBC903 | 180L ⁽²⁾ | 6 | 47121 | 47121 |
| 61,8 | 2085 | 3,2 | 23,86 | KXBC903 | 160LA | 4 | 47544 | 47544 |
| 58,6 | 2202 | 3,1 | 25,19 | KXBC903 | 160LA | 4 | 48287 | 48287 |
| 57,6 | 2240 | 2,1 | 25,63 | KXBC703 | 160LA | 4 | 25627 | 25627 |
| 57,5 | 2264 | 1,5 | 17,04 | KXBC703 | 180L ⁽²⁾ | 6 | 25559 | 25559 |
| 57,0 | 2263 | 1,2 | 25,89 | KXBC603 | 160LA | 4 | 24699 | 7057 |
| 53,7 | 2399 | 1,9 | 27,44 | KXBC703 | 160LA | 4 | 25870 | 25870 |
| 53,6 | 2405 | 1,2 | 27,51 | KXBC603 | 160LA | 4 | 24758 | 7074 |
| 52,8 | 2468 | 0,9 | 18,58 | KXBC603 | 180L ⁽²⁾ | 6 | 24657 | 7045 |
| 52,8 | 2465 | 2,6 | 18,56 | KXBC903 | 180L ⁽²⁾ | 6 | 49686 | 49686 |
| 52,5 | 2479 | 1,5 | 18,66 | KXBC703 | 180L ⁽²⁾ | 6 | 25869 | 25869 |
| 52,2 | 2468 | 3,2 | 28,23 | KXBC903 | 160LA | 4 | 49873 | 49873 |
| 49,1 | 2626 | 1,8 | 30,05 | KXBC703 | 160LA | 4 | 26162 | 26162 |
| 48,6 | 2653 | 3,0 | 30,35 | KXBC903 | 160LA | 4 | 50894 | 50894 |
| 47,9 | 2692 | 1,0 | 30,79 | KXBC603 | 160LA | 4 | 24796 | 7085 |
| 47,7 | 2732 | 2,5 | 20,56 | KXBC903 | 180L ⁽²⁾ | 6 | 51133 | 51133 |
| 47,6 | 2738 | 1,0 | 20,61 | KXBC603 | 180L ⁽²⁾ | 6 | 24671 | 7049 |
| 47,2 | 2733 | 1,0 | 31,26 | KXBC603 | 160LA | 4 | 24794 | 7084 |
| 46,7 | 2790 | 1,5 | 21,00 | KXBC703 | 180L ⁽²⁾ | 6 | 26220 | 26220 |
| 44,7 | 2916 | 3,7 | 21,94 | KXBC1003 | 180L ⁽²⁾ | 6 | 80000 | 65000 |
| 44,7 | 2885 | 1,6 | 33,01 | KXBC703 | 160LA | 4 | 26424 | 26424 |
| 43,9 | 2940 | 2,7 | 33,63 | KXBC903 | 160LA | 4 | 52362 | 52362 |
| 43,1 | 2994 | 4,0 | 34,25 | KXBC1003 | 160LA | 4 | 80000 | 65000 |
| 43,0 | 3027 | 1,0 | 22,78 | KXBC603 | 180L ⁽²⁾ | 6 | 24597 | 7028 |
| 43,0 | 3026 | 1,5 | 22,77 | KXBC703 | 180L ⁽²⁾ | 6 | 26421 | 26421 |
| 42,5 | 3032 | 0,9 | 34,68 | KXBC603 | 160LA | 4 | 24722 | 7063 |
| 42,1 | 3061 | 2,6 | 35,02 | KXBC903 | 160LA | 4 | 52944 | 52944 |
| 41,1 | 3170 | 2,2 | 23,86 | KXBC903 | 180L ⁽²⁾ | 6 | 53262 | 53262 |
| 40,5 | 3212 | 3,4 | 24,17 | KXBC1003 | 180L ⁽²⁾ | 6 | 80000 | 65000 |

⁽²⁾ With TBS brake motor, please contact our Technical Sales Support

15,00 kW

| n2 [rpm] | M2 [Nm] | fs | i | Gear reducer | Motor Size | Pole | Fr2 D-S-P [N] | Fr2 C [N] |
|-------------|------------|-----|-------|-----------------|---------------------|------|------------------|--------------|
| 40,2 | 3205 | 1,5 | 36,67 | KXBC703 | 160LA | 4 | 26662 | 26662 |
| 39,2 | 3292 | 3,7 | 37,66 | KXBC1003 | 160LA | 4 | 80000 | 65000 |
| 38,9 | 3347 | 2,1 | 25,19 | KXBC903 | 180L ⁽²⁾ | 6 | 54049 | 54049 |
| 38,2 | 3405 | 1,4 | 25,63 | KXBC703 | 180L ⁽²⁾ | 6 | 26644 | 26644 |
| 38,0 | 3392 | 2,4 | 38,81 | KXBC903 | 160LA | 4 | 54439 | 54439 |
| 36,9 | 3531 | 3,3 | 26,58 | KXBC1003 | 180L ⁽²⁾ | 6 | 80000 | 65000 |
| 36,6 | 3522 | 1,4 | 40,29 | KXBC703 | 160LA | 4 | 26816 | 26816 |
| 36,3 | 3553 | 3,6 | 40,65 | KXBC1003 | 160LA | 4 | 80000 | 65000 |
| 35,7 | 3646 | 1,3 | 27,44 | KXBC703 | 180L ⁽²⁾ | 6 | 26732 | 26732 |
| 34,9 | 3697 | 2,2 | 42,30 | KXBC903 | 160LA | 4 | 55704 | 55704 |
| 34,7 | 3751 | 2,2 | 28,23 | KXBC903 | 180L ⁽²⁾ | 6 | 55717 | 55717 |
| 34,0 | 3827 | 2,8 | 28,80 | KXBC1003 | 180L ⁽²⁾ | 6 | 80000 | 65000 |
| 33,4 | 3860 | 1,2 | 44,16 | KXBC703 | 160LA | 4 | 26906 | 26906 |
| 32,7 | 3941 | 3,0 | 45,09 | KXBC1003 | 160LA | 4 | 80000 | 65000 |
| 32,6 | 3992 | 1,2 | 30,05 | KXBC703 | 180L ⁽²⁾ | 6 | 26793 | 26793 |
| 32,3 | 4032 | 2,1 | 30,35 | KXBC903 | 180L ⁽²⁾ | 6 | 56783 | 56783 |
| 31,7 | 4109 | 2,9 | 30,92 | KXBC1003 | 180L ⁽²⁾ | 6 | 80000 | 65000 |
| 31,0 | 4155 | 1,9 | 47,53 | KXBC903 | 160LA | 4 | 57433 | 57433 |
| 30,5 | 4226 | 1,2 | 48,35 | KXBC703 | 160LA | 4 | 26929 | 26929 |
| 29,7 | 4386 | 1,1 | 33,01 | KXBC703 | 180L ⁽²⁾ | 6 | 26783 | 26783 |
| 29,2 | 4419 | 1,8 | 50,56 | KXBC903 | 160LA | 4 | 58353 | 58353 |
| 29,1 | 4469 | 1,9 | 33,63 | KXBC903 | 180L ⁽²⁾ | 6 | 58306 | 58306 |
| 28,9 | 4458 | 2,9 | 51,00 | KXBC1003 | 160LA | 4 | 80000 | 65000 |
| 28,6 | 4551 | 2,7 | 34,25 | KXBC1003 | 180L ⁽²⁾ | 6 | 80000 | 65000 |
| 28,0 | 4653 | 1,8 | 35,02 | KXBC903 | 180L ⁽²⁾ | 6 | 58905 | 58905 |
| 27,7 | 4646 | 1,1 | 53,16 | KXBC703 | 160LA | 4 | 26873 | 26873 |
| 27,5 | 4688 | 2,8 | 53,63 | KXBC1003 | 160LA | 4 | 80000 | 65000 |
| 27,0 | 4775 | 1,0 | 54,63 | KXBC703 | 160LA | 4 | 26840 | 26840 |
| 27,0 | 4776 | 1,7 | 54,64 | KXBC903 | 160LA | 4 | 59512 | 59512 |
| 26,7 | 4873 | 1,0 | 36,67 | KXBC703 | 180L ⁽²⁾ | 6 | 26671 | 26671 |
| 26,0 | 5004 | 2,6 | 37,66 | KXBC1003 | 180L ⁽²⁾ | 6 | 80000 | 65000 |
| 25,8 | 5006 | 1,6 | 57,27 | KXBC903 | 160LA | 4 | 60215 | 60215 |
| 25,3 | 5156 | 1,6 | 38,81 | KXBC903 | 180L ⁽²⁾ | 6 | 60434 | 60434 |
| 25,0 | 5154 | 2,5 | 58,97 | KXBC1003 | 160LA | 4 | 80000 | 65000 |
| 25,0 | 5158 | 1,0 | 59,02 | KXBC703 | 160LA | 4 | 26703 | 26703 |
| 24,3 | 5353 | 0,9 | 40,29 | KXBC703 | 180L ⁽²⁾ | 6 | 26469 | 26469 |
| 24,2 | 5325 | 1,5 | 60,92 | KXBC903 | 160LA | 4 | 61139 | 61139 |
| 24,1 | 5402 | 2,5 | 40,65 | KXBC1003 | 180L ⁽²⁾ | 6 | 80000 | 65000 |
| 23,2 | 5620 | 1,5 | 42,30 | KXBC903 | 180L ⁽²⁾ | 6 | 61713 | 61713 |
| 23,2 | 5548 | 1,4 | 63,47 | KXBC903 | 160LA | 4 | 61750 | 61750 |
| 21,7 | 5991 | 2,1 | 45,09 | KXBC1003 | 180L ⁽²⁾ | 6 | 80000 | 65000 |
| 21,1 | 6099 | 2,1 | 69,78 | KXBC1003 | 160LA | 4 | 80000 | 65000 |

⁽²⁾ With TBS brake motor, please contact our Technical Sales Support

15,00 kW

| n2 [rpm] | M2 [Nm] | fs | i | Gear reducer | Size | Motor Pole | Fr2 D-S-P [N] | Fr2 C [N] |
|----------|---------|-----|--------|--------------|---------------------|------------|---------------|-----------|
| 20,7 | 6219 | 1,3 | 71,15 | KXBC903 | 160LA | 4 | 63449 | 63449 |
| 20,6 | 6316 | 1,3 | 47,53 | KXBC903 | 180L ⁽²⁾ | 6 | 63440 | 63440 |
| 19,4 | 6718 | 1,3 | 50,56 | KXBC903 | 180L ⁽²⁾ | 6 | 64347 | 64347 |
| 19,2 | 6776 | 2,0 | 51,00 | KXBC1003 | 180L ⁽²⁾ | 6 | 80000 | 65000 |
| 19,2 | 6706 | 1,9 | 76,72 | KXBC1003 | 160LA | 4 | 80000 | 65000 |
| 19,1 | 6750 | 1,2 | 77,22 | KXBC903 | 160LA | 4 | 64660 | 64660 |
| 18,3 | 7126 | 1,9 | 53,63 | KXBC1003 | 180L ⁽²⁾ | 6 | 80000 | 65000 |
| 17,9 | 7260 | 1,2 | 54,64 | KXBC903 | 180L ⁽²⁾ | 6 | 65000 | 65000 |
| 17,6 | 7332 | 1,1 | 83,89 | KXBC903 | 160LA | 4 | 65000 | 65000 |
| 17,1 | 7610 | 1,1 | 57,27 | KXBC903 | 180L ⁽²⁾ | 6 | 65000 | 65000 |
| 16,9 | 7651 | 1,7 | 87,54 | KXBC1003 | 160LA | 4 | 80000 | 65000 |
| 16,8 | 7661 | 1,0 | 87,65 | KXBC903 | 160LA | 4 | 65000 | 65000 |
| 16,6 | 7835 | 1,7 | 58,97 | KXBC1003 | 180L ⁽²⁾ | 6 | 80000 | 65000 |
| 16,1 | 8095 | 1,0 | 60,92 | KXBC903 | 180L ⁽²⁾ | 6 | 65000 | 65000 |
| 15,9 | 8133 | 1,0 | 93,05 | KXBC903 | 160LA | 4 | 65000 | 65000 |
| 15,4 | 8434 | 1,0 | 63,47 | KXBC903 | 180L ⁽²⁾ | 6 | 65000 | 65000 |
| 15,3 | 8413 | 1,5 | 96,25 | KXBC1003 | 160LA | 4 | 80000 | 65000 |
| 14,2 | 9084 | 1,4 | 103,93 | KXBC1003 | 160LA | 4 | 80000 | 65000 |
| 14,0 | 9271 | 1,5 | 69,78 | KXBC1003 | 180L ⁽²⁾ | 6 | 80000 | 65000 |
| 12,9 | 9988 | 1,3 | 114,27 | KXBC1003 | 160LA | 4 | 80000 | 65000 |
| 12,8 | 10194 | 1,3 | 76,72 | KXBC1003 | 180L ⁽²⁾ | 6 | 80000 | 65000 |
| 11,7 | 11038 | 1,2 | 126,29 | KXBC1003 | 160LA | 4 | 80000 | 65000 |
| 11,2 | 11631 | 1,2 | 87,54 | KXBC1003 | 180L ⁽²⁾ | 6 | 80000 | 65000 |
| 10,6 | 12137 | 1,1 | 138,85 | KXBC1003 | 160LA | 4 | 80000 | 65000 |
| 10,2 | 12788 | 1,1 | 96,25 | KXBC1003 | 180L ⁽²⁾ | 6 | 80000 | 65000 |
| 9,5 | 13533 | 1,0 | 154,83 | KXBC1003 | 160LA | 4 | 80000 | 65000 |
| 9,4 | 13809 | 1,0 | 103,93 | KXBC1003 | 180L ⁽²⁾ | 6 | 80000 | 65000 |

18,50 kW

| n2 [rpm] | M2 [Nm] | fs | i | Gear reducer | Size | Motor Pole | Fr2 D-S-P [N] | Fr2 C [N] |
|----------|---------|-----|-------|--------------|---------------------|------------|---------------|-----------|
| 184,5 | 862 | 1,7 | 7,97 | KXBC603 | 180M ⁽²⁾ | 4 | 19856 | 5673 |
| 152,8 | 1041 | 1,7 | 9,62 | KXBC603 | 180M ⁽²⁾ | 4 | 20563 | 5875 |
| 142,2 | 1118 | 1,8 | 10,33 | KXBC603 | 180M ⁽²⁾ | 4 | 20814 | 5947 |
| 140,1 | 1135 | 4,0 | 10,49 | KXBC903 | 180M ⁽²⁾ | 4 | 36966 | 36966 |
| 135,6 | 1172 | 2,6 | 10,84 | KXBC703 | 180M ⁽²⁾ | 4 | 20959 | 20959 |
| 123,9 | 1284 | 2,4 | 11,87 | KXBC703 | 180M ⁽²⁾ | 4 | 21354 | 21354 |
| 117,8 | 1350 | 1,5 | 12,48 | KXBC603 | 180M ⁽²⁾ | 4 | 21414 | 6118 |
| 116,3 | 1367 | 3,3 | 12,64 | KXBC903 | 180M ⁽²⁾ | 4 | 39075 | 39075 |
| 106,2 | 1498 | 1,4 | 13,84 | KXBC603 | 180M ⁽²⁾ | 4 | 21698 | 6200 |
| 104,9 | 1515 | 3,3 | 14,01 | KXBC903 | 180M ⁽²⁾ | 4 | 40275 | 40275 |
| 101,5 | 1567 | 2,0 | 14,49 | KXBC703 | 180M ⁽²⁾ | 4 | 22181 | 22181 |

⁽²⁾ With TBS brake motor, please contact our Technical Sales Support

18,50 kW

| n2 [rpm] | M2 [Nm] | fs | i | Gear reducer | Motor Size | Pole | Fr2 D-S-P [N] | Fr2 C [N] |
|-------------|------------|-----|-------|-----------------|----------------------|------|------------------|--------------|
| 95,6 | 1664 | 1,3 | 15,38 | KXBC603 | 180M ⁽²⁾ | 4 | 21945 | 6270 |
| 95,5 | 1666 | 3,0 | 15,40 | KXBC903 | 180M ⁽²⁾ | 4 | 41402 | 41402 |
| 93,4 | 1719 | 2,7 | 10,49 | KXBC903 | 200LA ⁽²⁾ | 6 | 41639 | 41639 |
| 90,4 | 1776 | 1,8 | 10,84 | KXBC703 | 200LA ⁽²⁾ | 6 | 22569 | 22569 |
| 86,3 | 1843 | 1,7 | 17,04 | KXBC703 | 180M ⁽²⁾ | 4 | 22796 | 22796 |
| 82,6 | 1945 | 1,7 | 11,87 | KXBC703 | 200LA ⁽²⁾ | 6 | 22889 | 22889 |
| 79,2 | 2007 | 3,0 | 18,56 | KXBC903 | 180M ⁽²⁾ | 4 | 43683 | 43683 |
| 79,1 | 2009 | 1,1 | 18,58 | KXBC603 | 180M ⁽²⁾ | 4 | 22258 | 6359 |
| 78,8 | 2018 | 1,8 | 18,66 | KXBC703 | 180M ⁽²⁾ | 4 | 23109 | 23109 |
| 77,5 | 2072 | 2,3 | 12,64 | KXBC903 | 200LA ⁽²⁾ | 6 | 43924 | 43924 |
| 71,5 | 2224 | 2,9 | 20,56 | KXBC903 | 180M ⁽²⁾ | 4 | 44973 | 44973 |
| 71,3 | 2229 | 1,1 | 20,61 | KXBC603 | 180M ⁽²⁾ | 4 | 22345 | 6384 |
| 70,0 | 2271 | 1,8 | 21,00 | KXBC703 | 180M ⁽²⁾ | 4 | 23476 | 23476 |
| 69,9 | 2296 | 2,3 | 14,01 | KXBC903 | 200LA ⁽²⁾ | 6 | 45215 | 45215 |
| 67,7 | 2374 | 1,4 | 14,49 | KXBC703 | 200LA ⁽²⁾ | 6 | 23498 | 23498 |
| 64,6 | 2463 | 1,8 | 22,77 | KXBC703 | 180M ⁽²⁾ | 4 | 23698 | 23698 |
| 64,5 | 2464 | 1,1 | 22,78 | KXBC603 | 180M ⁽²⁾ | 4 | 22361 | 6389 |
| 63,6 | 2524 | 2,1 | 15,40 | KXBC903 | 200LA ⁽²⁾ | 6 | 46421 | 46421 |
| 61,6 | 2581 | 2,6 | 23,86 | KXBC903 | 180M ⁽²⁾ | 4 | 46874 | 46874 |
| 59,8 | 2685 | 3,9 | 16,39 | KXBC1003 | 200LA ⁽²⁾ | 6 | 75172 | 65000 |
| 58,4 | 2724 | 2,5 | 25,19 | KXBC903 | 180M ⁽²⁾ | 4 | 47578 | 47578 |
| 57,5 | 2793 | 1,2 | 17,04 | KXBC703 | 200LA ⁽²⁾ | 6 | 23873 | 23873 |
| 57,4 | 2772 | 1,7 | 25,63 | KXBC703 | 180M ⁽²⁾ | 4 | 23967 | 23967 |
| 56,8 | 2800 | 1,0 | 25,89 | KXBC603 | 180M ⁽²⁾ | 4 | 22268 | 6362 |
| 55,3 | 2875 | 3,9 | 26,58 | KXBC1003 | 180M ⁽²⁾ | 4 | 76928 | 65000 |
| 54,4 | 2952 | 3,7 | 18,02 | KXBC1003 | 200LA ⁽²⁾ | 6 | 77244 | 65000 |
| 53,6 | 2968 | 1,5 | 27,44 | KXBC703 | 180M ⁽²⁾ | 4 | 24090 | 24090 |
| 53,4 | 2976 | 0,9 | 27,51 | KXBC603 | 180M ⁽²⁾ | 4 | 22173 | 6335 |
| 52,8 | 3041 | 2,1 | 18,56 | KXBC903 | 200LA ⁽²⁾ | 6 | 48842 | 48842 |
| 52,5 | 3057 | 1,2 | 18,66 | KXBC703 | 200LA ⁽²⁾ | 6 | 24024 | 24024 |
| 52,1 | 3054 | 2,6 | 28,23 | KXBC903 | 180M ⁽²⁾ | 4 | 49073 | 49073 |
| 51,0 | 3115 | 3,3 | 28,80 | KXBC1003 | 180M ⁽²⁾ | 4 | 78709 | 65000 |
| 49,1 | 3270 | 3,4 | 19,96 | KXBC1003 | 200LA ⁽²⁾ | 6 | 79518 | 65000 |
| 48,9 | 3250 | 1,4 | 30,05 | KXBC703 | 180M ⁽²⁾ | 4 | 24210 | 24210 |
| 48,4 | 3283 | 2,4 | 30,35 | KXBC903 | 180M ⁽²⁾ | 4 | 50031 | 50031 |
| 47,7 | 3370 | 2,0 | 20,56 | KXBC903 | 200LA ⁽²⁾ | 6 | 50198 | 50198 |
| 47,5 | 3345 | 3,4 | 30,92 | KXBC1003 | 180M ⁽²⁾ | 4 | 80000 | 65000 |
| 46,7 | 3441 | 1,2 | 21,00 | KXBC703 | 200LA ⁽²⁾ | 6 | 24143 | 24143 |
| 44,7 | 3596 | 3,0 | 21,94 | KXBC1003 | 200LA ⁽²⁾ | 6 | 80000 | 65000 |
| 44,5 | 3571 | 1,3 | 33,01 | KXBC703 | 180M ⁽²⁾ | 4 | 24278 | 24278 |
| 43,7 | 3638 | 2,2 | 33,63 | KXBC903 | 180M ⁽²⁾ | 4 | 51401 | 51401 |
| 43,0 | 3732 | 1,2 | 22,77 | KXBC703 | 200LA ⁽²⁾ | 6 | 24169 | 24169 |

(2) With TBS brake motor, please contact our Technical Sales Support

18,50 kW

| n2 [rpm] | M2 [Nm] | fs | i | Gear reducer | Motor Size | Pole | Fr2 D-S-P [N] | Fr2 C [N] |
|-------------|------------|-----|-------|-----------------|----------------------|------|------------------|--------------|
| 42,9 | 3705 | 3,2 | 34,25 | KXBC1003 | 180M ⁽²⁾ | 4 | 80000 | 65000 |
| 42,0 | 3788 | 2,1 | 35,02 | KXBC903 | 180M ⁽²⁾ | 4 | 51942 | 51942 |
| 41,1 | 3910 | 1,8 | 23,86 | KXBC903 | 200LA ⁽²⁾ | 6 | 52177 | 52177 |
| 40,5 | 3961 | 2,8 | 24,17 | KXBC1003 | 200LA ⁽²⁾ | 6 | 80000 | 65000 |
| 40,1 | 3967 | 1,2 | 36,67 | KXBC703 | 180M ⁽²⁾ | 4 | 24274 | 24274 |
| 39,0 | 4074 | 3,0 | 37,66 | KXBC1003 | 180M ⁽²⁾ | 4 | 80000 | 65000 |
| 38,9 | 4128 | 1,7 | 25,19 | KXBC903 | 200LA ⁽²⁾ | 6 | 52903 | 52903 |
| 38,2 | 4200 | 1,2 | 25,63 | KXBC703 | 200LA ⁽²⁾ | 6 | 24110 | 24110 |
| 37,9 | 4198 | 1,9 | 38,81 | KXBC903 | 180M ⁽²⁾ | 4 | 53324 | 53324 |
| 36,9 | 4355 | 2,7 | 26,58 | KXBC1003 | 200LA ⁽²⁾ | 6 | 80000 | 65000 |
| 36,5 | 4358 | 1,1 | 40,29 | KXBC703 | 180M ⁽²⁾ | 4 | 24190 | 24190 |
| 36,2 | 4397 | 2,9 | 40,65 | KXBC1003 | 180M ⁽²⁾ | 4 | 80000 | 65000 |
| 35,7 | 4497 | 1,1 | 27,44 | KXBC703 | 200LA ⁽²⁾ | 6 | 24018 | 24018 |
| 34,8 | 4575 | 1,7 | 42,30 | KXBC903 | 180M ⁽²⁾ | 4 | 54484 | 54484 |
| 34,7 | 4626 | 1,8 | 28,23 | KXBC903 | 200LA ⁽²⁾ | 6 | 54433 | 54433 |
| 34,0 | 4720 | 2,3 | 28,80 | KXBC1003 | 200LA ⁽²⁾ | 6 | 80000 | 65000 |
| 33,3 | 4777 | 1,0 | 44,16 | KXBC703 | 180M ⁽²⁾ | 4 | 24025 | 24025 |
| 32,6 | 4877 | 2,5 | 45,09 | KXBC1003 | 180M ⁽²⁾ | 4 | 80000 | 65000 |
| 32,6 | 4924 | 1,0 | 30,05 | KXBC703 | 200LA ⁽²⁾ | 6 | 23821 | 23821 |
| 32,3 | 4973 | 1,7 | 30,35 | KXBC903 | 200LA ⁽²⁾ | 6 | 55403 | 55403 |
| 31,7 | 5068 | 2,4 | 30,92 | KXBC1003 | 200LA ⁽²⁾ | 6 | 80000 | 65000 |
| 30,9 | 5142 | 1,6 | 47,53 | KXBC903 | 180M ⁽²⁾ | 4 | 56057 | 56057 |
| 30,4 | 5230 | 1,0 | 48,35 | KXBC703 | 180M ⁽²⁾ | 4 | 23772 | 23772 |
| 29,7 | 5409 | 0,9 | 33,01 | KXBC703 | 200LA ⁽²⁾ | 6 | 23518 | 23518 |
| 29,1 | 5512 | 1,5 | 33,63 | KXBC903 | 200LA ⁽²⁾ | 6 | 56776 | 56776 |
| 29,1 | 5469 | 1,5 | 50,56 | KXBC903 | 180M ⁽²⁾ | 4 | 56886 | 56886 |
| 28,8 | 5517 | 2,4 | 51,00 | KXBC1003 | 180M ⁽²⁾ | 4 | 80000 | 65000 |
| 28,6 | 5613 | 2,2 | 34,25 | KXBC1003 | 200LA ⁽²⁾ | 6 | 80000 | 65000 |
| 28,0 | 5738 | 1,5 | 35,02 | KXBC903 | 200LA ⁽²⁾ | 6 | 57313 | 57313 |
| 27,4 | 5801 | 2,2 | 53,63 | KXBC1003 | 180M ⁽²⁾ | 4 | 80000 | 65000 |
| 26,9 | 5910 | 1,4 | 54,64 | KXBC903 | 180M ⁽²⁾ | 4 | 57922 | 57922 |
| 26,0 | 6172 | 2,1 | 37,66 | KXBC1003 | 200LA ⁽²⁾ | 6 | 80000 | 65000 |
| 25,7 | 6195 | 1,3 | 57,27 | KXBC903 | 180M ⁽²⁾ | 4 | 58546 | 58546 |
| 25,3 | 6360 | 1,3 | 38,81 | KXBC903 | 200LA ⁽²⁾ | 6 | 58669 | 58669 |
| 24,9 | 6378 | 2,0 | 58,97 | KXBC1003 | 180M ⁽²⁾ | 4 | 80000 | 65000 |
| 24,1 | 6662 | 2,0 | 40,65 | KXBC1003 | 200LA ⁽²⁾ | 6 | 80000 | 65000 |
| 24,1 | 6590 | 1,2 | 60,92 | KXBC903 | 180M ⁽²⁾ | 4 | 59360 | 59360 |
| 23,2 | 6931 | 1,2 | 42,30 | KXBC903 | 200LA ⁽²⁾ | 6 | 59789 | 59789 |
| 23,2 | 6866 | 1,2 | 63,47 | KXBC903 | 180M ⁽²⁾ | 4 | 59896 | 59896 |
| 21,7 | 7389 | 1,7 | 45,09 | KXBC1003 | 200LA ⁽²⁾ | 6 | 80000 | 65000 |
| 21,1 | 7547 | 1,7 | 69,78 | KXBC1003 | 180M ⁽²⁾ | 4 | 80000 | 65000 |
| 20,7 | 7696 | 1,0 | 71,15 | KXBC903 | 180M ⁽²⁾ | 4 | 61364 | 61364 |

(2) With TBS brake motor, please contact our Technical Sales Support

18,50 kW

| n2 [rpm] | M2 [Nm] | fs | i | Gear reducer | Motor Size | Pole | Fr2 D-S-P [N] | Fr2 C [N] |
|-------------|------------|-----|--------|-----------------|----------------------|------|------------------|--------------|
| 20,6 | 7789 | 1,1 | 47,53 | KXBC903 | 200LA ⁽²⁾ | 6 | 61278 | 61278 |
| 19,4 | 8286 | 1,0 | 50,56 | KXBC903 | 200LA ⁽²⁾ | 6 | 62047 | 62047 |
| 19,2 | 8358 | 1,6 | 51,00 | KXBC1003 | 200LA ⁽²⁾ | 6 | 80000 | 65000 |
| 19,2 | 8298 | 1,6 | 76,72 | KXBC1003 | 180M ⁽²⁾ | 4 | 80000 | 65000 |
| 19,0 | 8353 | 1,0 | 77,22 | KXBC903 | 180M ⁽²⁾ | 4 | 62391 | 62391 |
| 18,3 | 8788 | 1,6 | 53,63 | KXBC1003 | 200LA ⁽²⁾ | 6 | 80000 | 65000 |
| 17,9 | 8954 | 0,9 | 54,64 | KXBC903 | 200LA ⁽²⁾ | 6 | 62991 | 62991 |
| 16,8 | 9469 | 1,4 | 87,54 | KXBC1003 | 180M ⁽²⁾ | 4 | 80000 | 65000 |
| 16,6 | 9663 | 1,4 | 58,97 | KXBC1003 | 200LA ⁽²⁾ | 6 | 80000 | 65000 |
| 15,3 | 10411 | 1,2 | 96,25 | KXBC1003 | 180M ⁽²⁾ | 4 | 80000 | 65000 |
| 14,1 | 11242 | 1,2 | 103,93 | KXBC1003 | 180M ⁽²⁾ | 4 | 80000 | 65000 |
| 14,0 | 11434 | 1,2 | 69,78 | KXBC1003 | 200LA ⁽²⁾ | 6 | 80000 | 65000 |
| 12,9 | 12361 | 1,1 | 114,27 | KXBC1003 | 180M ⁽²⁾ | 4 | 80000 | 65000 |
| 12,8 | 12572 | 1,1 | 76,72 | KXBC1003 | 200LA ⁽²⁾ | 6 | 80000 | 65000 |
| 11,6 | 13660 | 1,0 | 126,29 | KXBC1003 | 180M ⁽²⁾ | 4 | 80000 | 65000 |
| 11,2 | 14345 | 1,0 | 87,54 | KXBC1003 | 200LA ⁽²⁾ | 6 | 80000 | 65000 |

22,00 kW

| n2 [rpm] | M2 [Nm] | fs | i | Gear reducer | Motor Size | Pole | Fr2 D-S-P [N] | Fr2 C [N] |
|-------------|------------|-----|-------|-----------------|----------------------|------|------------------|--------------|
| 184,5 | 1025 | 1,5 | 7,97 | KXBC603 | 180L ⁽²⁾ | 4 | 19106 | 5459 |
| 152,8 | 1237 | 1,5 | 9,62 | KXBC603 | 180L ⁽²⁾ | 4 | 19658 | 5617 |
| 142,2 | 1329 | 1,5 | 10,33 | KXBC603 | 180L ⁽²⁾ | 4 | 19842 | 5669 |
| 140,1 | 1350 | 3,3 | 10,49 | KXBC903 | 180L ⁽²⁾ | 4 | 36651 | 36651 |
| 135,6 | 1394 | 2,2 | 10,84 | KXBC703 | 180L ⁽²⁾ | 4 | 20251 | 20251 |
| 123,9 | 1527 | 2,0 | 11,87 | KXBC703 | 180L ⁽²⁾ | 4 | 20579 | 20579 |
| 117,8 | 1605 | 1,2 | 12,48 | KXBC603 | 180L ⁽²⁾ | 4 | 20241 | 5783 |
| 116,3 | 1626 | 2,8 | 12,64 | KXBC903 | 180L ⁽²⁾ | 4 | 38696 | 38696 |
| 106,2 | 1781 | 1,2 | 13,84 | KXBC603 | 180L ⁽²⁾ | 4 | 20396 | 5827 |
| 104,9 | 1802 | 2,8 | 14,01 | KXBC903 | 180L ⁽²⁾ | 4 | 39855 | 39855 |
| 101,5 | 1863 | 1,7 | 14,49 | KXBC703 | 180L ⁽²⁾ | 4 | 21235 | 21235 |
| 95,6 | 1979 | 1,1 | 15,38 | KXBC603 | 180L ⁽²⁾ | 4 | 20498 | 5856 |
| 95,5 | 1981 | 2,5 | 15,40 | KXBC903 | 180L ⁽²⁾ | 4 | 40939 | 40939 |
| 93,4 | 2045 | 2,3 | 10,49 | KXBC903 | 200LB ⁽²⁾ | 6 | 41162 | 41162 |
| 90,4 | 2112 | 1,5 | 10,84 | KXBC703 | 200LB ⁽²⁾ | 6 | 21497 | 21497 |
| 86,3 | 2192 | 1,5 | 17,04 | KXBC703 | 180L ⁽²⁾ | 4 | 21684 | 21684 |
| 82,6 | 2313 | 3,5 | 11,87 | KXBC1003 | 200LB ⁽²⁾ | 6 | 67760 | 65000 |
| 82,6 | 2313 | 1,4 | 11,87 | KXBC703 | 200LB ⁽²⁾ | 6 | 21715 | 21715 |
| 79,2 | 2387 | 2,5 | 18,56 | KXBC903 | 180L ⁽²⁾ | 4 | 43126 | 43126 |
| 79,1 | 2389 | 0,9 | 18,58 | KXBC603 | 180L ⁽²⁾ | 4 | 20510 | 5860 |
| 78,8 | 2400 | 1,5 | 18,66 | KXBC703 | 180L ⁽²⁾ | 4 | 21891 | 21891 |
| 77,5 | 2464 | 1,9 | 12,64 | KXBC903 | 200LB ⁽²⁾ | 6 | 43349 | 43349 |

(2) With TBS brake motor, please contact our Technical Sales Support

22,00 kW

| n2 [rpm] | M2 [Nm] | fs | i | Gear reducer | Motor Size | Pole | Fr2 D-S-P [N] | Fr2 C [N] |
|-------------|------------|-----|-------|-----------------|----------------------|------|------------------|--------------|
| 76,5 | 2496 | 3,7 | 12,81 | KXBC1003 | 200LB ⁽²⁾ | 6 | 69268 | 65000 |
| 71,5 | 2645 | 2,5 | 20,56 | KXBC903 | 180L ⁽²⁾ | 4 | 44355 | 44355 |
| 71,3 | 2651 | 0,9 | 20,61 | KXBC603 | 180L ⁽²⁾ | 4 | 20406 | 5830 |
| 70,0 | 2701 | 1,5 | 21,00 | KXBC703 | 180L ⁽²⁾ | 4 | 22105 | 22105 |
| 69,9 | 2730 | 1,9 | 14,01 | KXBC903 | 200LB ⁽²⁾ | 6 | 44578 | 44578 |
| 69,6 | 2745 | 3,7 | 14,08 | KXBC1003 | 200LB ⁽²⁾ | 6 | 71175 | 65000 |
| 67,7 | 2823 | 1,2 | 14,49 | KXBC703 | 200LB ⁽²⁾ | 6 | 22065 | 22065 |
| 67,0 | 2823 | 3,7 | 21,94 | KXBC1003 | 180L ⁽²⁾ | 4 | 71998 | 65000 |
| 64,6 | 2929 | 1,5 | 22,77 | KXBC703 | 180L ⁽²⁾ | 4 | 22211 | 22211 |
| 64,5 | 2930 | 1,0 | 22,78 | KXBC603 | 180L ⁽²⁾ | 4 | 20218 | 5777 |
| 63,6 | 3001 | 1,7 | 15,40 | KXBC903 | 200LB ⁽²⁾ | 6 | 45720 | 45720 |
| 63,1 | 3025 | 3,5 | 15,52 | KXBC1003 | 200LB ⁽²⁾ | 6 | 73163 | 65000 |
| 61,6 | 3069 | 2,2 | 23,86 | KXBC903 | 180L ⁽²⁾ | 4 | 46158 | 46158 |
| 60,8 | 3109 | 3,4 | 24,17 | KXBC1003 | 180L ⁽²⁾ | 4 | 73993 | 65000 |
| 59,8 | 3193 | 3,3 | 16,39 | KXBC1003 | 200LB ⁽²⁾ | 6 | 74284 | 65000 |
| 58,4 | 3240 | 2,1 | 25,19 | KXBC903 | 180L ⁽²⁾ | 4 | 46821 | 46821 |
| 57,5 | 3321 | 1,0 | 17,04 | KXBC703 | 200LB ⁽²⁾ | 6 | 22188 | 22188 |
| 57,4 | 3297 | 1,4 | 25,63 | KXBC703 | 180L ⁽²⁾ | 4 | 22294 | 22294 |
| 55,3 | 3419 | 3,2 | 26,58 | KXBC1003 | 180L ⁽²⁾ | 4 | 75978 | 65000 |
| 54,4 | 3511 | 3,1 | 18,02 | KXBC1003 | 200LB ⁽²⁾ | 6 | 76268 | 65000 |
| 53,6 | 3530 | 1,3 | 27,44 | KXBC703 | 180L ⁽²⁾ | 4 | 22298 | 22298 |
| 52,8 | 3616 | 1,7 | 18,56 | KXBC903 | 200LB ⁽²⁾ | 6 | 47998 | 47998 |
| 52,5 | 3636 | 1,0 | 18,66 | KXBC703 | 200LB ⁽²⁾ | 6 | 22178 | 22178 |
| 52,1 | 3631 | 2,2 | 28,23 | KXBC903 | 180L ⁽²⁾ | 4 | 48226 | 48226 |
| 51,0 | 3705 | 2,8 | 28,80 | KXBC1003 | 180L ⁽²⁾ | 4 | 77679 | 65000 |
| 49,1 | 3889 | 2,9 | 19,96 | KXBC1003 | 200LB ⁽²⁾ | 6 | 78437 | 65000 |
| 48,9 | 3865 | 1,2 | 30,05 | KXBC703 | 180L ⁽²⁾ | 4 | 22249 | 22249 |
| 48,4 | 3904 | 2,0 | 30,35 | KXBC903 | 180L ⁽²⁾ | 4 | 49120 | 49120 |
| 47,7 | 4007 | 1,7 | 20,56 | KXBC903 | 200LB ⁽²⁾ | 6 | 49263 | 49263 |
| 47,5 | 3978 | 2,9 | 30,92 | KXBC1003 | 180L ⁽²⁾ | 4 | 79200 | 65000 |
| 46,7 | 4092 | 1,0 | 21,00 | KXBC703 | 200LB ⁽²⁾ | 6 | 22067 | 22067 |
| 44,7 | 4276 | 2,6 | 21,94 | KXBC1003 | 200LB ⁽²⁾ | 6 | 80000 | 65000 |
| 44,5 | 4246 | 1,1 | 33,01 | KXBC703 | 180L ⁽²⁾ | 4 | 22123 | 22123 |
| 43,7 | 4326 | 1,8 | 33,63 | KXBC903 | 180L ⁽²⁾ | 4 | 50392 | 50392 |
| 43,0 | 4438 | 1,0 | 22,77 | KXBC703 | 200LB ⁽²⁾ | 6 | 21916 | 21916 |
| 42,9 | 4406 | 2,7 | 34,25 | KXBC1003 | 180L ⁽²⁾ | 4 | 80000 | 65000 |
| 42,0 | 4504 | 1,8 | 35,02 | KXBC903 | 180L ⁽²⁾ | 4 | 50891 | 50891 |
| 41,1 | 4649 | 1,5 | 23,86 | KXBC903 | 200LB ⁽²⁾ | 6 | 51092 | 51092 |
| 40,5 | 4711 | 2,3 | 24,17 | KXBC1003 | 200LB ⁽²⁾ | 6 | 80000 | 65000 |
| 40,1 | 4717 | 1,0 | 36,67 | KXBC703 | 180L ⁽²⁾ | 4 | 21880 | 21880 |
| 39,0 | 4845 | 2,5 | 37,66 | KXBC1003 | 180L ⁽²⁾ | 4 | 80000 | 65000 |
| 38,9 | 4908 | 1,5 | 25,19 | KXBC903 | 200LB ⁽²⁾ | 6 | 51758 | 51758 |

⁽²⁾ With TBS brake motor, please contact our Technical Sales Support

22,00 kW

| n2 [rpm] | M2 [Nm] | fs | i | Gear reducer | Motor Size | Pole | Fr2 D-S-P [N] | Fr2 C [N] |
|-------------|------------|-----|--------|-----------------|----------------------|------|------------------|--------------|
| 38,2 | 4994 | 1,0 | 25,63 | KXBC703 | 200LB ⁽²⁾ | 6 | 21575 | 21575 |
| 37,9 | 4992 | 1,6 | 38,81 | KXBC903 | 180L ⁽²⁾ | 4 | 52159 | 52159 |
| 36,9 | 5179 | 2,3 | 26,58 | KXBC1003 | 200LB ⁽²⁾ | 6 | 80000 | 65000 |
| 36,5 | 5183 | 0,9 | 40,29 | KXBC703 | 180L ⁽²⁾ | 4 | 21560 | 21560 |
| 36,2 | 5229 | 2,4 | 40,65 | KXBC1003 | 180L ⁽²⁾ | 4 | 80000 | 65000 |
| 35,7 | 5348 | 0,9 | 27,44 | KXBC703 | 200LB ⁽²⁾ | 6 | 21303 | 21303 |
| 34,8 | 5441 | 1,5 | 42,30 | KXBC903 | 180L ⁽²⁾ | 4 | 53215 | 53215 |
| 34,7 | 5502 | 1,5 | 28,23 | KXBC903 | 200LB ⁽²⁾ | 6 | 53149 | 53149 |
| 34,0 | 5612 | 1,9 | 28,80 | KXBC1003 | 200LB ⁽²⁾ | 6 | 80000 | 65000 |
| 32,6 | 5800 | 2,1 | 45,09 | KXBC1003 | 180L ⁽²⁾ | 4 | 80000 | 65000 |
| 32,3 | 5914 | 1,4 | 30,35 | KXBC903 | 200LB ⁽²⁾ | 6 | 54023 | 54023 |
| 31,7 | 6026 | 2,0 | 30,92 | KXBC1003 | 200LB ⁽²⁾ | 6 | 80000 | 65000 |
| 30,9 | 6114 | 1,3 | 47,53 | KXBC903 | 180L ⁽²⁾ | 4 | 54630 | 54630 |
| 29,1 | 6554 | 1,3 | 33,63 | KXBC903 | 200LB ⁽²⁾ | 6 | 55246 | 55246 |
| 29,1 | 6504 | 1,2 | 50,56 | KXBC903 | 180L ⁽²⁾ | 4 | 55368 | 55368 |
| 28,8 | 6560 | 2,0 | 51,00 | KXBC1003 | 180L ⁽²⁾ | 4 | 80000 | 65000 |
| 28,6 | 6675 | 1,9 | 34,25 | KXBC1003 | 200LB ⁽²⁾ | 6 | 80000 | 65000 |
| 28,0 | 6824 | 1,2 | 35,02 | KXBC903 | 200LB ⁽²⁾ | 6 | 55720 | 55720 |
| 27,4 | 6898 | 1,9 | 53,63 | KXBC1003 | 180L ⁽²⁾ | 4 | 80000 | 65000 |
| 26,9 | 7029 | 1,1 | 54,64 | KXBC903 | 180L ⁽²⁾ | 4 | 56282 | 56282 |
| 26,0 | 7339 | 1,8 | 37,66 | KXBC1003 | 200LB ⁽²⁾ | 6 | 80000 | 65000 |
| 25,7 | 7367 | 1,1 | 57,27 | KXBC903 | 180L ⁽²⁾ | 4 | 56827 | 56827 |
| 25,3 | 7563 | 1,1 | 38,81 | KXBC903 | 200LB ⁽²⁾ | 6 | 56904 | 56904 |
| 24,9 | 7585 | 1,7 | 58,97 | KXBC1003 | 180L ⁽²⁾ | 4 | 80000 | 65000 |
| 24,1 | 7922 | 1,7 | 40,65 | KXBC1003 | 200LB ⁽²⁾ | 6 | 80000 | 65000 |
| 24,1 | 7837 | 1,0 | 60,92 | KXBC903 | 180L ⁽²⁾ | 4 | 57531 | 57531 |
| 23,2 | 8242 | 1,0 | 42,30 | KXBC903 | 200LB ⁽²⁾ | 6 | 57866 | 57866 |
| 23,2 | 8164 | 1,0 | 63,47 | KXBC903 | 180L ⁽²⁾ | 4 | 57990 | 57990 |
| 21,7 | 8787 | 1,4 | 45,09 | KXBC1003 | 200LB ⁽²⁾ | 6 | 80000 | 65000 |
| 21,1 | 8975 | 1,4 | 69,78 | KXBC1003 | 180L ⁽²⁾ | 4 | 80000 | 65000 |
| 20,6 | 9263 | 0,9 | 47,53 | KXBC903 | 200LB ⁽²⁾ | 6 | 59116 | 59116 |
| 19,2 | 9939 | 1,4 | 51,00 | KXBC1003 | 200LB ⁽²⁾ | 6 | 80000 | 65000 |
| 19,2 | 9868 | 1,3 | 76,72 | KXBC1003 | 180L ⁽²⁾ | 4 | 80000 | 65000 |
| 18,3 | 10451 | 1,3 | 53,63 | KXBC1003 | 200LB ⁽²⁾ | 6 | 80000 | 65000 |
| 16,8 | 11260 | 1,2 | 87,54 | KXBC1003 | 180L ⁽²⁾ | 4 | 80000 | 65000 |
| 16,6 | 11491 | 1,2 | 58,97 | KXBC1003 | 200LB ⁽²⁾ | 6 | 80000 | 65000 |
| 15,3 | 12380 | 1,1 | 96,25 | KXBC1003 | 180L ⁽²⁾ | 4 | 80000 | 65000 |
| 14,1 | 13369 | 1,0 | 103,93 | KXBC1003 | 180L ⁽²⁾ | 4 | 80000 | 65000 |
| 14,0 | 13598 | 1,0 | 69,78 | KXBC1003 | 200LB ⁽²⁾ | 6 | 80000 | 65000 |
| 12,8 | 14951 | 0,9 | 76,72 | KXBC1003 | 200LB ⁽²⁾ | 6 | 80000 | 65000 |

(2) With TBS brake motor, please contact our Technical Sales Support

30,00 kW

| n2 [rpm] | M2 [Nm] | fs | i | Gear reducer | Motor Size | Pole | Fr2 D-S-P [N] | Fr2 C [N] |
|-------------|------------|-----|-------|-----------------|---------------------|------|------------------|--------------|
| 140,6 | 1834 | 2,5 | 10,49 | KXBC903 | 200L ⁽²⁾ | 4 | 35897 | 35897 |
| 136,1 | 1895 | 1,6 | 10,84 | KXBC703 | 200L ⁽²⁾ | 4 | 18627 | 18627 |
| 124,3 | 2075 | 3,7 | 11,87 | KXBC1003 | 200L ⁽²⁾ | 4 | 59114 | 59114 |
| 124,3 | 2075 | 1,5 | 11,87 | KXBC703 | 200L ⁽²⁾ | 4 | 18802 | 18802 |
| 116,7 | 2210 | 2,0 | 12,64 | KXBC903 | 200L ⁽²⁾ | 4 | 37793 | 37793 |
| 115,2 | 2239 | 3,9 | 12,81 | KXBC1003 | 200L ⁽²⁾ | 4 | 60424 | 60424 |
| 105,3 | 2449 | 2,0 | 14,01 | KXBC903 | 200L ⁽²⁾ | 4 | 38858 | 38858 |
| 104,7 | 2462 | 3,9 | 14,08 | KXBC1003 | 200L ⁽²⁾ | 4 | 62080 | 62080 |
| 101,8 | 2532 | 1,2 | 14,49 | KXBC703 | 200L ⁽²⁾ | 4 | 19071 | 19071 |
| 95,8 | 2692 | 1,9 | 15,40 | KXBC903 | 200L ⁽²⁾ | 4 | 39847 | 39847 |
| 95,0 | 2713 | 3,7 | 15,52 | KXBC1003 | 200L ⁽²⁾ | 4 | 63806 | 63806 |
| 90,0 | 2864 | 3,5 | 16,39 | KXBC1003 | 200L ⁽²⁾ | 4 | 64778 | 64778 |
| 86,6 | 2979 | 1,1 | 17,04 | KXBC703 | 200L ⁽²⁾ | 4 | 19141 | 19141 |
| 81,9 | 3149 | 3,3 | 18,02 | KXBC1003 | 200L ⁽²⁾ | 4 | 66499 | 65000 |
| 79,5 | 3244 | 1,8 | 18,56 | KXBC903 | 200L ⁽²⁾ | 4 | 41817 | 41817 |
| 79,1 | 3262 | 1,1 | 18,66 | KXBC703 | 200L ⁽²⁾ | 4 | 19109 | 19109 |
| 73,9 | 3489 | 3,1 | 19,96 | KXBC1003 | 200L ⁽²⁾ | 4 | 68378 | 65000 |
| 71,7 | 3595 | 1,8 | 20,56 | KXBC903 | 200L ⁽²⁾ | 4 | 42908 | 42908 |
| 70,2 | 3670 | 1,1 | 21,00 | KXBC703 | 200L ⁽²⁾ | 4 | 18978 | 18978 |
| 67,2 | 3836 | 2,7 | 21,94 | KXBC1003 | 200L ⁽²⁾ | 4 | 70141 | 65000 |
| 64,8 | 3981 | 1,1 | 22,77 | KXBC703 | 200L ⁽²⁾ | 4 | 18821 | 18821 |
| 61,8 | 4171 | 1,6 | 23,86 | KXBC903 | 200L ⁽²⁾ | 4 | 44485 | 44485 |
| 61,0 | 4226 | 2,5 | 24,17 | KXBC1003 | 200L ⁽²⁾ | 4 | 71953 | 65000 |
| 58,6 | 4403 | 1,5 | 25,19 | KXBC903 | 200L ⁽²⁾ | 4 | 45057 | 45057 |
| 57,6 | 4480 | 1,0 | 25,63 | KXBC703 | 200L ⁽²⁾ | 4 | 18481 | 18481 |
| 55,5 | 4646 | 2,4 | 26,58 | KXBC1003 | 200L ⁽²⁾ | 4 | 73741 | 65000 |
| 53,7 | 4797 | 1,0 | 27,44 | KXBC703 | 200L ⁽²⁾ | 4 | 18218 | 18218 |
| 52,2 | 4935 | 1,6 | 28,23 | KXBC903 | 200L ⁽²⁾ | 4 | 46253 | 46253 |
| 51,2 | 5035 | 2,0 | 28,80 | KXBC1003 | 200L ⁽²⁾ | 4 | 75261 | 65000 |
| 48,6 | 5305 | 1,5 | 30,35 | KXBC903 | 200L ⁽²⁾ | 4 | 47002 | 47002 |
| 47,7 | 5406 | 2,1 | 30,92 | KXBC1003 | 200L ⁽²⁾ | 4 | 76609 | 65000 |
| 43,9 | 5879 | 1,4 | 33,63 | KXBC903 | 200L ⁽²⁾ | 4 | 48050 | 48050 |
| 43,1 | 5988 | 2,0 | 34,25 | KXBC1003 | 200L ⁽²⁾ | 4 | 78546 | 65000 |
| 42,1 | 6122 | 1,3 | 35,02 | KXBC903 | 200L ⁽²⁾ | 4 | 48454 | 48454 |
| 39,2 | 6584 | 1,9 | 37,66 | KXBC1003 | 200L ⁽²⁾ | 4 | 80000 | 65000 |
| 38,0 | 6784 | 1,2 | 38,81 | KXBC903 | 200L ⁽²⁾ | 4 | 49463 | 49463 |
| 36,3 | 7107 | 1,8 | 40,65 | KXBC1003 | 200L ⁽²⁾ | 4 | 80000 | 65000 |
| 34,9 | 7394 | 1,1 | 42,30 | KXBC903 | 200L ⁽²⁾ | 4 | 50281 | 50281 |
| 32,7 | 7883 | 1,5 | 45,09 | KXBC1003 | 200L ⁽²⁾ | 4 | 80000 | 65000 |
| 31,0 | 8309 | 1,0 | 47,53 | KXBC903 | 200L ⁽²⁾ | 4 | 51338 | 51338 |
| 29,2 | 8839 | 0,9 | 50,56 | KXBC903 | 200L ⁽²⁾ | 4 | 51870 | 51870 |
| 28,9 | 8915 | 1,5 | 51,00 | KXBC1003 | 200L ⁽²⁾ | 4 | 80000 | 65000 |

⁽²⁾ With TBS brake motor, please contact our Technical Sales Support

30,00 kW

| n2 [rpm] | M2 [Nm] | fs | i | Gear reducer | Motor Size | Pole | Fr2 D-S-P [N] | Fr2 C [N] |
|----------|---------|-----|-------|--------------|---------------------|------|---------------|-----------|
| 27,5 | 9375 | 1,4 | 53,63 | KXBC1003 | 200L ⁽²⁾ | 4 | 80000 | 65000 |
| 25,0 | 10308 | 1,3 | 58,97 | KXBC1003 | 200L ⁽²⁾ | 4 | 80000 | 65000 |
| 21,1 | 12198 | 1,1 | 69,78 | KXBC1003 | 200L ⁽²⁾ | 4 | 80000 | 65000 |
| 19,2 | 13411 | 1,0 | 76,72 | KXBC1003 | 200L ⁽²⁾ | 4 | 80000 | 65000 |

37,00 kW

| n2 [rpm] | M2 [Nm] | fs | i | Gear reducer | Motor Size | Pole | Fr2 D-S-P [N] | Fr2 C [N] |
|----------|---------|-----|-------|--------------|---------------------|------|---------------|-----------|
| 167,0 | 1904 | 3,6 | 8,89 | KXBC1003 | 225S ⁽²⁾ | 4 | 53581 | 53581 |
| 141,5 | 2247 | 2,0 | 10,49 | KXBC903 | 225S ⁽²⁾ | 4 | 35205 | 35205 |
| 140,4 | 2265 | 3,5 | 10,58 | KXBC1003 | 225S ⁽²⁾ | 4 | 56303 | 56303 |
| 125,1 | 2542 | 3,0 | 11,87 | KXBC1003 | 225S ⁽²⁾ | 4 | 58158 | 58158 |
| 117,5 | 2707 | 1,7 | 12,64 | KXBC903 | 225S ⁽²⁾ | 4 | 36972 | 36972 |
| 115,9 | 2743 | 3,2 | 12,81 | KXBC1003 | 225S ⁽²⁾ | 4 | 59400 | 59400 |
| 106,0 | 3000 | 1,7 | 14,01 | KXBC903 | 225S ⁽²⁾ | 4 | 37955 | 37955 |
| 105,4 | 3016 | 3,2 | 14,08 | KXBC1003 | 225S ⁽²⁾ | 4 | 60964 | 60964 |
| 96,4 | 3298 | 1,5 | 15,40 | KXBC903 | 225S ⁽²⁾ | 4 | 38861 | 38861 |
| 95,7 | 3324 | 3,0 | 15,52 | KXBC1003 | 225S ⁽²⁾ | 4 | 62586 | 62586 |
| 90,6 | 3509 | 2,8 | 16,39 | KXBC1003 | 225S ⁽²⁾ | 4 | 63497 | 63497 |
| 82,4 | 3858 | 2,7 | 18,02 | KXBC1003 | 225S ⁽²⁾ | 4 | 65101 | 65000 |
| 80,0 | 3974 | 1,5 | 18,56 | KXBC903 | 225S ⁽²⁾ | 4 | 40642 | 40642 |
| 74,4 | 4274 | 2,5 | 19,96 | KXBC1003 | 225S ⁽²⁾ | 4 | 66841 | 65000 |
| 72,2 | 4404 | 1,5 | 20,56 | KXBC903 | 225S ⁽²⁾ | 4 | 41614 | 41614 |
| 67,7 | 4699 | 2,2 | 21,94 | KXBC1003 | 225S ⁽²⁾ | 4 | 68462 | 65000 |
| 62,2 | 5109 | 1,3 | 23,86 | KXBC903 | 225S ⁽²⁾ | 4 | 42995 | 42995 |
| 61,4 | 5177 | 2,0 | 24,17 | KXBC1003 | 225S ⁽²⁾ | 4 | 70115 | 65000 |
| 59,0 | 5394 | 1,3 | 25,19 | KXBC903 | 225S ⁽²⁾ | 4 | 43489 | 43489 |
| 55,9 | 5692 | 2,0 | 26,58 | KXBC1003 | 225S ⁽²⁾ | 4 | 71732 | 65000 |
| 52,6 | 6046 | 1,3 | 28,23 | KXBC903 | 225S ⁽²⁾ | 4 | 44505 | 44505 |
| 51,6 | 6168 | 1,7 | 28,80 | KXBC1003 | 225S ⁽²⁾ | 4 | 73094 | 65000 |
| 48,9 | 6499 | 1,2 | 30,35 | KXBC903 | 225S ⁽²⁾ | 4 | 45129 | 45129 |
| 48,0 | 6622 | 1,7 | 30,92 | KXBC1003 | 225S ⁽²⁾ | 4 | 74292 | 65000 |
| 44,2 | 7203 | 1,1 | 33,63 | KXBC903 | 225S ⁽²⁾ | 4 | 45983 | 45983 |
| 43,4 | 7335 | 1,6 | 34,25 | KXBC1003 | 225S ⁽²⁾ | 4 | 75993 | 65000 |
| 42,4 | 7499 | 1,1 | 35,02 | KXBC903 | 225S ⁽²⁾ | 4 | 46306 | 46306 |
| 39,4 | 8065 | 1,5 | 37,66 | KXBC1003 | 225S ⁽²⁾ | 4 | 77542 | 65000 |
| 38,3 | 8311 | 1,0 | 38,81 | KXBC903 | 225S ⁽²⁾ | 4 | 47092 | 47092 |
| 36,5 | 8706 | 1,5 | 40,65 | KXBC1003 | 225S ⁽²⁾ | 4 | 78763 | 65000 |
| 32,9 | 9656 | 1,2 | 45,09 | KXBC1003 | 225S ⁽²⁾ | 4 | 80000 | 65000 |
| 29,1 | 10922 | 1,2 | 51,00 | KXBC1003 | 225S ⁽²⁾ | 4 | 80000 | 65000 |
| 27,7 | 11485 | 1,1 | 53,63 | KXBC1003 | 225S ⁽²⁾ | 4 | 80000 | 65000 |
| 25,2 | 12627 | 1,0 | 58,97 | KXBC1003 | 225S ⁽²⁾ | 4 | 80000 | 65000 |

⁽²⁾ With TBS brake motor, please contact our Technical Sales Support

45,00 kW

| n2 [rpm] | M2 [Nm] | fs | i | Gear reducer | Motor Size | Pole | Fr2 D-S-P [N] | Fr2 C [N] |
|-------------|------------|-----|-------|-----------------|---------------------|------|------------------|--------------|
| 167,0 | 2316 | 2,9 | 8,89 | KXBC1003 | 225M ⁽²⁾ | 4 | 52862 | 52862 |
| 141,5 | 2733 | 1,6 | 10,49 | KXBC903 | 225M ⁽²⁾ | 4 | 34492 | 34492 |
| 140,4 | 2754 | 2,9 | 10,58 | KXBC1003 | 225M ⁽²⁾ | 4 | 55447 | 55447 |
| 125,1 | 3091 | 2,5 | 11,87 | KXBC1003 | 225M ⁽²⁾ | 4 | 57198 | 57198 |
| 117,5 | 3293 | 1,4 | 12,64 | KXBC903 | 225M ⁽²⁾ | 4 | 36114 | 36114 |
| 115,9 | 3336 | 2,6 | 12,81 | KXBC1003 | 225M ⁽²⁾ | 4 | 58364 | 58364 |
| 106,0 | 3649 | 1,4 | 14,01 | KXBC903 | 225M ⁽²⁾ | 4 | 37003 | 37003 |
| 105,4 | 3668 | 2,6 | 14,08 | KXBC1003 | 225M ⁽²⁾ | 4 | 59825 | 59825 |
| 96,4 | 4011 | 1,2 | 15,40 | KXBC903 | 225M ⁽²⁾ | 4 | 37815 | 37815 |
| 95,7 | 4043 | 2,5 | 15,52 | KXBC1003 | 225M ⁽²⁾ | 4 | 61331 | 61331 |
| 90,6 | 4268 | 2,3 | 16,39 | KXBC1003 | 225M ⁽²⁾ | 4 | 62171 | 62171 |
| 82,4 | 4692 | 2,2 | 18,02 | KXBC1003 | 225M ⁽²⁾ | 4 | 63643 | 63643 |
| 80,0 | 4833 | 1,2 | 18,56 | KXBC903 | 225M ⁽²⁾ | 4 | 39382 | 39382 |
| 74,4 | 5198 | 2,1 | 19,96 | KXBC1003 | 225M ⁽²⁾ | 4 | 65226 | 65000 |
| 72,2 | 5356 | 1,2 | 20,56 | KXBC903 | 225M ⁽²⁾ | 4 | 40217 | 40217 |
| 67,7 | 5715 | 1,8 | 21,94 | KXBC1003 | 225M ⁽²⁾ | 4 | 66687 | 65000 |
| 62,2 | 6214 | 1,1 | 23,86 | KXBC903 | 225M ⁽²⁾ | 4 | 41375 | 41375 |
| 61,4 | 6296 | 1,7 | 24,17 | KXBC1003 | 225M ⁽²⁾ | 4 | 68160 | 65000 |
| 59,0 | 6560 | 1,0 | 25,19 | KXBC903 | 225M ⁽²⁾ | 4 | 41778 | 41778 |
| 55,9 | 6922 | 1,6 | 26,58 | KXBC1003 | 225M ⁽²⁾ | 4 | 69582 | 65000 |
| 52,6 | 7353 | 1,1 | 28,23 | KXBC903 | 225M ⁽²⁾ | 4 | 42587 | 42587 |
| 51,6 | 7501 | 1,4 | 28,80 | KXBC1003 | 225M ⁽²⁾ | 4 | 70764 | 65000 |
| 48,9 | 7904 | 1,0 | 30,35 | KXBC903 | 225M ⁽²⁾ | 4 | 43068 | 43068 |
| 48,0 | 8054 | 1,4 | 30,92 | KXBC1003 | 225M ⁽²⁾ | 4 | 71790 | 65000 |
| 44,2 | 8760 | 0,9 | 33,63 | KXBC903 | 225M ⁽²⁾ | 4 | 43698 | 43698 |
| 43,4 | 8921 | 1,3 | 34,25 | KXBC1003 | 225M ⁽²⁾ | 4 | 73222 | 65000 |
| 39,4 | 9809 | 1,3 | 37,66 | KXBC1003 | 225M ⁽²⁾ | 4 | 74495 | 65000 |
| 36,5 | 10588 | 1,2 | 40,65 | KXBC1003 | 225M ⁽²⁾ | 4 | 75474 | 65000 |
| 32,9 | 11744 | 1,0 | 45,09 | KXBC1003 | 225M ⁽²⁾ | 4 | 76723 | 65000 |
| 29,1 | 13283 | 1,0 | 51,00 | KXBC1003 | 225M ⁽²⁾ | 4 | 78067 | 65000 |
| 27,7 | 13968 | 0,9 | 53,63 | KXBC1003 | 225M ⁽²⁾ | 4 | 78565 | 65000 |

55,00 kW

| n2 [rpm] | M2 [Nm] | fs | i | Gear reducer | Motor Size | Pole | Fr2 D-S-P [N] | Fr2 C [N] |
|-------------|------------|-----|-------|-----------------|---------------------|------|------------------|--------------|
| 167,0 | 2831 | 2,4 | 8,89 | KXBC1003 | 250M ⁽²⁾ | 4 | 51963 | 51963 |
| 140,4 | 3367 | 2,3 | 10,58 | KXBC1003 | 250M ⁽²⁾ | 4 | 54378 | 54378 |
| 125,1 | 3778 | 2,0 | 11,87 | KXBC1003 | 250M ⁽²⁾ | 4 | 55998 | 55998 |
| 115,9 | 4078 | 2,2 | 12,81 | KXBC1003 | 250M ⁽²⁾ | 4 | 57069 | 57069 |
| 105,4 | 4483 | 2,1 | 14,08 | KXBC1003 | 250M ⁽²⁾ | 4 | 58401 | 58401 |
| 95,7 | 4941 | 2,0 | 15,52 | KXBC1003 | 250M ⁽²⁾ | 4 | 59761 | 59761 |
| 90,6 | 5216 | 1,9 | 16,39 | KXBC1003 | 250M ⁽²⁾ | 4 | 60514 | 60514 |

⁽²⁾ With TBS brake motor, please contact our Technical Sales Support

55,00 kW

| n2 [rpm] | M2 [Nm] | fs | i | Gear reducer | Size | Motor Pole | Fr2 D-S-P [N] | Fr2 C [N] |
|----------|---------|-----|-------|--------------|---------------------|------------|---------------|-----------|
| 82,4 | 5735 | 1,8 | 18,02 | KXBC1003 | 250M ⁽²⁾ | 4 | 61821 | 61821 |
| 74,4 | 6353 | 1,7 | 19,96 | KXBC1003 | 250M ⁽²⁾ | 4 | 63208 | 63208 |
| 67,7 | 6985 | 1,5 | 21,94 | KXBC1003 | 250M ⁽²⁾ | 4 | 64468 | 64468 |
| 61,4 | 7695 | 1,4 | 24,17 | KXBC1003 | 250M ⁽²⁾ | 4 | 65715 | 65000 |
| 55,9 | 8461 | 1,3 | 26,58 | KXBC1003 | 250M ⁽²⁾ | 4 | 66894 | 65000 |
| 51,6 | 9168 | 1,1 | 28,80 | KXBC1003 | 250M ⁽²⁾ | 4 | 67852 | 65000 |
| 48,0 | 9844 | 1,2 | 30,92 | KXBC1003 | 250M ⁽²⁾ | 4 | 68663 | 65000 |
| 43,4 | 10904 | 1,1 | 34,25 | KXBC1003 | 250M ⁽²⁾ | 4 | 69758 | 65000 |
| 39,4 | 11989 | 1,0 | 37,66 | KXBC1003 | 250M ⁽²⁾ | 4 | 70686 | 65000 |
| 36,5 | 12941 | 1,0 | 40,65 | KXBC1003 | 250M ⁽²⁾ | 4 | 71363 | 65000 |

75,00 kW

| n2 [rpm] | M2 [Nm] | fs | i | Gear reducer | Size | Motor Pole | Fr2 D-S-P [N] | Fr2 C [N] |
|----------|---------|-----|-------|--------------|---------------------|------------|---------------|-----------|
| 167,0 | 3860 | 1,8 | 8,89 | KXBC1003 | 280S ⁽²⁾ | 4 | 50164 | 50164 |
| 140,4 | 4591 | 1,7 | 10,58 | KXBC1003 | 280S ⁽²⁾ | 4 | 52239 | 52239 |
| 125,1 | 5152 | 1,5 | 11,87 | KXBC1003 | 280S ⁽²⁾ | 4 | 53597 | 53597 |
| 115,9 | 5560 | 1,6 | 12,81 | KXBC1003 | 280S ⁽²⁾ | 4 | 54478 | 54478 |
| 105,4 | 6113 | 1,6 | 14,08 | KXBC1003 | 280S ⁽²⁾ | 4 | 55553 | 55553 |
| 95,7 | 6738 | 1,5 | 15,52 | KXBC1003 | 280S ⁽²⁾ | 4 | 56622 | 56622 |
| 90,6 | 7113 | 1,4 | 16,39 | KXBC1003 | 280S ⁽²⁾ | 4 | 57200 | 57200 |
| 82,4 | 7821 | 1,3 | 18,02 | KXBC1003 | 280S ⁽²⁾ | 4 | 58177 | 58177 |
| 67,7 | 9526 | 1,1 | 21,94 | KXBC1003 | 280S ⁽²⁾ | 4 | 60029 | 60029 |
| 61,4 | 10493 | 1,0 | 24,17 | KXBC1003 | 280S ⁽²⁾ | 4 | 60826 | 60826 |
| 55,9 | 11537 | 1,0 | 26,58 | KXBC1003 | 280S ⁽²⁾ | 4 | 61519 | 61519 |

90,00 kW

| n2 [rpm] | M2 [Nm] | fs | i | Gear reducer | Size | Motor Pole | Fr2 D-S-P [N] | Fr2 C [N] |
|----------|---------|-----|-------|--------------|---------------------|------------|---------------|-----------|
| 167,0 | 4632 | 1,5 | 8,89 | KXBC1003 | 280M ⁽²⁾ | 4 | 48815 | 48815 |
| 140,4 | 5509 | 1,4 | 10,58 | KXBC1003 | 280M ⁽²⁾ | 4 | 50635 | 50635 |
| 125,1 | 6183 | 1,2 | 11,87 | KXBC1003 | 280M ⁽²⁾ | 4 | 51797 | 51797 |
| 115,9 | 6672 | 1,3 | 12,81 | KXBC1003 | 280M ⁽²⁾ | 4 | 52535 | 52535 |
| 105,4 | 7336 | 1,3 | 14,08 | KXBC1003 | 280M ⁽²⁾ | 4 | 53416 | 53416 |
| 95,7 | 8085 | 1,2 | 15,52 | KXBC1003 | 280M ⁽²⁾ | 4 | 54267 | 54267 |
| 90,6 | 8536 | 1,2 | 16,39 | KXBC1003 | 280M ⁽²⁾ | 4 | 54714 | 54714 |
| 82,4 | 9385 | 1,1 | 18,02 | KXBC1003 | 280M ⁽²⁾ | 4 | 55445 | 55445 |
| 67,7 | 11431 | 0,9 | 21,94 | KXBC1003 | 280M ⁽²⁾ | 4 | 56701 | 56701 |

⁽²⁾ With TBS brake motor, please contact our Technical Sales Support

KXA202

| Mn_2 [Nm] | i | Pn_1 [kW] | n_2 [rpm] | Fr_1 [N] | Fr_2 D-S-P [N] | Fr_2 C [N] |
|----------------|-------|----------------|----------------|---------------|---------------------|-----------------|
| 85 | 7,62 | 2,14 | 229,8 | 373 | - | 1684 |
| 85 | 10,62 | 1,54 | 164,7 | 355 | - | 1882 |
| 85 | 12,95 | 1,26 | 135,2 | 406 | - | 2010 |
| 85 | 14,46 | 1,13 | 121,0 | 443 | - | 2085 |
| 113 | 16,47 | 1,32 | 106,2 | 579 | - | 2178 |
| 113 | 22,97 | 0,95 | 76,2 | 355 | - | 2433 |
| 113 | 28,00 | 0,78 | 62,5 | 406 | - | 2599 |
| 113 | 31,27 | 0,70 | 56,0 | 443 | - | 2697 |
| 113 | 33,78 | 0,64 | 51,8 | 458 | - | 2767 |
| 113 | 47,12 | 0,46 | 37,1 | 355 | - | 3092 |
| 113 | 57,43 | 0,38 | 30,5 | 406 | - | 3303 |
| 103 | 64,13 | 0,31 | 27,3 | 406 | - | 3426 |
| 103 | 78,17 | 0,26 | 22,4 | 406 | - | 3660 |

KXA252

| Mn_2 [Nm] | i | Pn_1 [kW] | n_2 [rpm] | Fr_1 [N] | Fr_2 D-S-P [N] | Fr_2 C [N] |
|----------------|-------|----------------|----------------|---------------|---------------------|-----------------|
| 150 | 7,91 | 3,67 | 221,2 | 373 | - | 1828 |
| 150 | 9,46 | 3,07 | 185,0 | 414 | - | 1940 |
| 150 | 11,57 | 2,51 | 151,2 | 405 | - | 2075 |
| 150 | 14,63 | 1,98 | 119,7 | 392 | - | 2243 |
| 188 | 17,11 | 2,12 | 102,3 | 529 | - | 2363 |
| 188 | 20,46 | 1,77 | 85,5 | 414 | - | 2508 |
| 188 | 25,03 | 1,45 | 69,9 | 405 | - | 2683 |
| 188 | 31,63 | 1,15 | 55,3 | 392 | - | 2900 |
| 188 | 35,10 | 1,03 | 49,9 | 446 | - | 3003 |
| 188 | 41,97 | 0,86 | 41,7 | 414 | - | 3187 |
| 207 | 51,34 | 0,78 | 34,1 | 445 | - | 3409 |
| 188 | 64,87 | 0,56 | 27,0 | 356 | - | 3685 |
| 188 | 79,07 | 0,46 | 22,1 | 406 | - | 3936 |

KXA253

| Mn_2 [Nm] | i | Pn_1 [kW] | n_2 [rpm] | Fr_1 [N] | Fr_2 D-S-P [N] | Fr_2 C [N] |
|----------------|--------|----------------|----------------|---------------|---------------------|-----------------|
| 207 | 73,70 | 0,57 | 23,7 | 472 | - | 3845 |
| 207 | 93,33 | 0,45 | 18,8 | 472 | - | 4000 |
| 207 | 111,61 | 0,38 | 15,7 | 472 | - | 4000 |
| 207 | 136,53 | 0,31 | 12,8 | 472 | - | 4000 |
| 207 | 172,53 | 0,24 | 10,1 | 472 | - | 4000 |
| 207 | 197,11 | 0,21 | 8,9 | 472 | - | 4000 |
| 207 | 249,08 | 0,17 | 7,0 | 472 | - | 4000 |

KXA253

| Mn_2 [Nm] | i | Pn_1 [kW] | n_2 [rpm] | Fr_1 [N] | Fr_2 D-S-P [N] | Fr_2 C [N] |
|----------------|--------|----------------|----------------|---------------|---------------------|-----------------|
| 207 | 271,16 | 0,16 | 6,5 | 472 | - | 4000 |
| 207 | 342,65 | 0,12 | 5,1 | 472 | - | 4000 |

KXA352

| Mn_2 [Nm] | i | Pn_1 [kW] | n_2 [rpm] | Fr_1 [N] | Fr_2 D-S-P [N] | Fr_2 C [N] |
|----------------|-------|----------------|----------------|---------------|---------------------|-----------------|
| 329 | 8,36 | 7,59 | 209,4 | 664 | 4715 | 2357 |
| 329 | 10,06 | 6,31 | 174,0 | 685 | 5016 | 2508 |
| 329 | 12,44 | 5,10 | 140,6 | 667 | 5384 | 2692 |
| 395 | 14,91 | 5,11 | 117,4 | 826 | 5718 | 2859 |
| 395 | 17,94 | 4,24 | 97,5 | 685 | 6083 | 3041 |
| 395 | 22,19 | 3,43 | 78,8 | 667 | 6529 | 3265 |
| 395 | 27,45 | 2,77 | 63,8 | 667 | 7009 | 3504 |
| 395 | 33,04 | 2,30 | 53,0 | 685 | 7456 | 3728 |
| 376 | 40,87 | 1,77 | 42,8 | 635 | 8003 | 4002 |
| 329 | 45,64 | 1,39 | 38,3 | 646 | 8303 | 4152 |
| 329 | 54,94 | 1,16 | 31,9 | 685 | 8833 | 4416 |
| 329 | 67,96 | 0,93 | 25,8 | 667 | 9481 | 4741 |

KXA353

| Mn_2 [Nm] | i | Pn_1 [kW] | n_2 [rpm] | Fr_1 [N] | Fr_2 D-S-P [N] | Fr_2 C [N] |
|----------------|--------|----------------|----------------|---------------|---------------------|-----------------|
| 423 | 43,89 | 1,96 | 39,9 | 330 | 8196 | 4098 |
| 423 | 52,83 | 1,63 | 33,1 | 411 | 8718 | 4359 |
| 423 | 65,35 | 1,32 | 26,8 | 400 | 9358 | 4679 |
| 423 | 80,83 | 1,07 | 21,6 | 400 | 10000 | 5023 |
| 423 | 97,29 | 0,89 | 18,0 | 411 | 10000 | 5343 |
| 423 | 120,34 | 0,72 | 14,5 | 400 | 10000 | 5500 |
| 423 | 149,73 | 0,58 | 11,7 | 398 | 10000 | 5500 |
| 423 | 180,23 | 0,48 | 9,7 | 411 | 10000 | 5500 |
| 423 | 222,93 | 0,39 | 7,8 | 400 | 10000 | 5500 |
| 423 | 260,20 | 0,33 | 6,7 | 424 | 10000 | 5500 |
| 423 | 321,85 | 0,27 | 5,4 | 400 | 10000 | 5500 |
| 423 | 357,95 | 0,24 | 4,9 | 445 | 10000 | 5500 |
| 423 | 442,76 | 0,19 | 4,0 | 400 | 10000 | 5500 |

KXB1003

| Mn_2 [Nm] | i | Pn_1 [kW] | n_2 [rpm] | Fr_1 [N] | Fr_2 D-S-P [N] | Fr_2 C [N] |
|----------------|------|----------------|----------------|---------------|---------------------|-----------------|
| 6392 | 8,89 | 146,37 | 196,8 | 7268 | 42738 | 42738 |

KXB1003

| Mn₂ [Nm] | i | Pn₁ [kW] | n₂ [rpm] | Fr1 [N] | Fr2 D-S-P [N] | Fr2 C [N] |
|--------------------------------------|----------|--------------------------------------|--------------------------------------|--------------------------|--------------------------------|----------------------------|
| 7426 | 10,58 | 142,97 | 165,5 | 7338 | 44107 | 44107 |
| 7238 | 11,87 | 124,16 | 147,4 | 7730 | 46651 | 46651 |
| 8272 | 12,81 | 131,49 | 136,6 | 7578 | 46354 | 46354 |
| 9024 | 14,08 | 130,46 | 124,3 | 7599 | 46974 | 46974 |
| 9400 | 15,52 | 123,30 | 112,8 | 7748 | 48363 | 48363 |
| 9306 | 16,39 | 115,63 | 106,8 | 7908 | 49696 | 49696 |
| 9776 | 18,02 | 110,48 | 97,1 | 8015 | 50972 | 50972 |
| 10058 | 19,96 | 102,62 | 87,7 | 8179 | 52815 | 52815 |
| 9776 | 21,94 | 90,71 | 79,8 | 8428 | 55548 | 55548 |
| 9870 | 24,17 | 83,13 | 72,4 | 8585 | 57740 | 57740 |
| 10434 | 26,58 | 79,93 | 65,8 | 8652 | 59139 | 59139 |
| 9588 | 28,80 | 67,78 | 60,8 | 8905 | 62694 | 62694 |
| 10810 | 30,92 | 71,18 | 56,6 | 8835 | 62446 | 62446 |
| 11186 | 34,25 | 66,49 | 51,1 | 8932 | 64581 | 64581 |
| 11562 | 37,66 | 62,51 | 46,5 | 9015 | 66599 | 65000 |
| 11938 | 40,65 | 59,79 | 43,0 | 9072 | 68159 | 65000 |
| 11280 | 45,09 | 50,93 | 38,8 | 9256 | 72405 | 65000 |
| 12220 | 51,00 | 48,79 | 34,3 | 9301 | 74583 | 65000 |
| 12220 | 53,63 | 46,39 | 32,6 | 9351 | 76188 | 65000 |
| 12220 | 58,97 | 42,20 | 29,7 | 9439 | 79289 | 65000 |
| 12220 | 69,78 | 35,66 | 25,1 | 9575 | 80000 | 65000 |
| 12220 | 76,72 | 32,43 | 22,8 | 9642 | 80000 | 65000 |
| 12220 | 87,54 | 28,42 | 20,0 | 9726 | 80000 | 65000 |
| 12220 | 96,25 | 25,85 | 18,2 | 9779 | 80000 | 65000 |
| 12220 | 103,93 | 23,94 | 16,8 | 9819 | 80000 | 65000 |
| 12220 | 114,27 | 21,77 | 15,3 | 9864 | 80000 | 65000 |
| 12220 | 126,29 | 19,70 | 13,9 | 9907 | 80000 | 65000 |
| 12220 | 138,85 | 17,92 | 12,6 | 9944 | 80000 | 65000 |
| 12220 | 154,83 | 16,07 | 11,3 | 9983 | 80000 | 65000 |

KXB353

| Mn₂ [Nm] | i | Pn₁ [kW] | n₂ [rpm] | Fr1 [N] | Fr2 D-S-P [N] | Fr2 C [N] |
|--------------------------------------|----------|--------------------------------------|--------------------------------------|--------------------------|--------------------------------|----------------------------|
| 273 | 5,71 | 9,71 | 306,2 | 367 | 6520 | 1863 |
| 320 | 6,88 | 9,46 | 254,4 | 388 | 6797 | 1942 |
| 329 | 7,32 | 9,15 | 239,0 | 415 | 6927 | 1979 |
| 432 | 9,16 | 9,61 | 191,0 | 375 | 7105 | 2030 |
| 489 | 10,26 | 9,70 | 170,5 | 368 | 7197 | 2056 |
| 508 | 11,03 | 9,37 | 158,7 | 395 | 7337 | 2096 |
| 545 | 12,35 | 8,98 | 141,7 | 428 | 7536 | 2153 |
| 555 | 13,15 | 8,59 | 133,1 | 462 | 7702 | 2200 |
| 555 | 15,18 | 7,44 | 115,3 | 559 | 8195 | 2341 |

KXB353

| Mn ₂ [Nm] | i | Pn ₁ [kW] | n ₂ [rpm] | Fr1 [N] | Fr2 D-S-P [N] | Fr2 C [N] |
|-------------------------|--------|-------------------------|-------------------------|------------|------------------|--------------|
| 564 | 17,00 | 6,75 | 102,9 | 618 | 8562 | 2446 |
| 564 | 22,39 | 5,13 | 78,2 | 756 | 9618 | 2748 |
| 564 | 26,09 | 4,40 | 67,1 | 817 | 10248 | 2928 |
| 564 | 28,03 | 4,10 | 62,4 | 843 | 10554 | 3016 |
| 564 | 33,43 | 3,43 | 52,3 | 899 | 11338 | 3240 |
| 564 | 38,58 | 2,98 | 45,4 | 938 | 12000 | 3431 |
| 564 | 43,22 | 2,66 | 40,5 | 965 | 12000 | 3590 |
| 564 | 50,81 | 2,26 | 34,4 | 999 | 12000 | 3827 |
| 564 | 56,93 | 2,02 | 30,7 | 1020 | 12000 | 4001 |
| 564 | 69,16 | 1,66 | 25,3 | 1050 | 12000 | 4315 |
| 564 | 77,48 | 1,48 | 22,6 | 1065 | 12000 | 4508 |
| 564 | 90,33 | 1,27 | 19,4 | 1083 | 12000 | 4779 |
| 564 | 101,20 | 1,13 | 17,3 | 1095 | 12000 | 4990 |
| 564 | 111,74 | 1,03 | 15,7 | 1104 | 12000 | 5180 |
| 564 | 124,20 | 0,92 | 14,1 | 1113 | 12000 | 5390 |
| 564 | 139,15 | 0,83 | 12,6 | 1121 | 12000 | 5623 |
| 564 | 157,42 | 0,73 | 11,1 | 1129 | 12000 | 5887 |

KXB403

| Mn ₂ [Nm] | i | Pn ₁ [kW] | n ₂ [rpm] | Fr1 [N] | Fr2 D-S-P [N] | Fr2 C [N] |
|-------------------------|-------|-------------------------|-------------------------|------------|------------------|--------------|
| 470 | 7,81 | 12,25 | 224,1 | 1764 | 11107 | 3173 |
| 564 | 8,62 | 13,32 | 202,9 | 1657 | 11159 | 3188 |
| 611 | 10,49 | 11,85 | 166,8 | 1804 | 11869 | 3391 |
| 705 | 11,59 | 12,39 | 151,0 | 1750 | 11965 | 3419 |
| 761 | 14,43 | 10,74 | 121,3 | 1916 | 12849 | 3671 |
| 799 | 16,60 | 9,80 | 105,5 | 2011 | 13450 | 3843 |
| 799 | 18,32 | 8,88 | 95,5 | 2104 | 14004 | 4001 |
| 799 | 22,82 | 7,13 | 76,7 | 2281 | 15298 | 4371 |
| 799 | 26,71 | 6,09 | 65,5 | 2386 | 16288 | 4654 |
| 799 | 29,50 | 5,52 | 59,3 | 2444 | 16936 | 4839 |
| 799 | 31,80 | 5,12 | 55,0 | 2484 | 17443 | 4984 |
| 799 | 34,49 | 4,72 | 50,7 | 2500 | 18000 | 5144 |
| 799 | 39,60 | 4,11 | 44,2 | 2500 | 18000 | 5427 |
| 799 | 42,95 | 3,79 | 40,7 | 2500 | 18000 | 5600 |
| 799 | 45,44 | 3,58 | 38,5 | 2500 | 18000 | 5722 |
| 799 | 51,19 | 3,18 | 34,2 | 2500 | 18000 | 5989 |
| 799 | 55,52 | 2,93 | 31,5 | 2500 | 18000 | 6177 |
| 799 | 59,96 | 2,71 | 29,2 | 2500 | 18000 | 6359 |
| 799 | 63,74 | 2,55 | 27,4 | 2500 | 18000 | 6507 |
| 799 | 69,14 | 2,35 | 25,3 | 2500 | 18000 | 6710 |
| 799 | 73,14 | 2,22 | 23,9 | 2500 | 18000 | 6853 |

KXB403

| Mn ₂ [Nm] | i | Pn ₁ [kW] | n ₂ [rpm] | Fr1 [N] | Fr2 D-S-P [N] | Fr2 C [N] |
|-------------------------|--------|-------------------------|-------------------------|------------|------------------|--------------|
| 799 | 80,76 | 2,01 | 21,7 | 2500 | 18000 | 7111 |
| 799 | 92,19 | 1,76 | 19,0 | 2500 | 18000 | 7470 |
| 799 | 100,57 | 1,62 | 17,4 | 2500 | 18000 | 7714 |
| 799 | 105,29 | 1,55 | 16,6 | 2500 | 18000 | 7846 |
| 799 | 116,25 | 1,40 | 15,1 | 2500 | 18000 | 8137 |
| 799 | 126,76 | 1,28 | 13,8 | 2500 | 18000 | 8400 |
| 799 | 144,77 | 1,12 | 12,1 | 2500 | 18000 | 8818 |

KXB503

| Mn ₂ [Nm] | i | Pn ₁ [kW] | n ₂ [rpm] | Fr1 [N] | Fr2 D-S-P [N] | Fr2 C [N] |
|-------------------------|--------|-------------------------|-------------------------|------------|------------------|--------------|
| 752 | 8,13 | 18,84 | 215,3 | 1192 | 13788 | 3939 |
| 846 | 8,97 | 19,21 | 195,2 | 1157 | 14044 | 4012 |
| 940 | 10,92 | 17,53 | 160,2 | 1317 | 14880 | 4252 |
| 940 | 12,05 | 15,88 | 145,2 | 1473 | 15461 | 4417 |
| 1128 | 14,99 | 15,33 | 116,8 | 1526 | 16275 | 4650 |
| 1316 | 17,27 | 15,52 | 101,3 | 1508 | 16670 | 4763 |
| 1316 | 19,06 | 14,06 | 91,8 | 1646 | 17345 | 4956 |
| 1316 | 23,70 | 11,31 | 73,8 | 1907 | 18922 | 5406 |
| 1410 | 26,51 | 10,83 | 66,0 | 1953 | 19508 | 5574 |
| 1504 | 30,55 | 10,02 | 57,3 | 2029 | 20367 | 5819 |
| 1598 | 33,07 | 9,84 | 52,9 | 2047 | 20749 | 5928 |
| 1598 | 35,87 | 9,07 | 48,8 | 2120 | 21439 | 6125 |
| 1598 | 41,12 | 7,91 | 42,5 | 2230 | 22000 | 6469 |
| 1598 | 44,61 | 7,29 | 39,2 | 2288 | 22000 | 6680 |
| 1598 | 47,28 | 6,88 | 37,0 | 2327 | 22000 | 6835 |
| 1598 | 50,24 | 6,48 | 34,8 | 2366 | 22000 | 7000 |
| 1598 | 53,02 | 6,14 | 33,0 | 2398 | 22000 | 7149 |
| 1598 | 58,50 | 5,56 | 29,9 | 2453 | 22000 | 7429 |
| 1598 | 64,89 | 5,01 | 27,0 | 2505 | 22000 | 7732 |
| 1598 | 68,58 | 4,74 | 25,5 | 2530 | 22000 | 7899 |
| 1598 | 72,76 | 4,47 | 24,1 | 2556 | 22000 | 8081 |
| 1598 | 78,92 | 4,12 | 22,2 | 2589 | 22000 | 8336 |
| 1692 | 83,66 | 4,12 | 20,9 | 2590 | 22000 | 8446 |
| 1692 | 92,31 | 3,73 | 19,0 | 2626 | 22000 | 8771 |
| 1692 | 105,44 | 3,27 | 16,6 | 2671 | 22000 | 9227 |
| 1692 | 114,80 | 3,00 | 15,2 | 2696 | 22000 | 9529 |
| 1692 | 120,42 | 2,86 | 14,5 | 2709 | 22000 | 9703 |
| 1692 | 132,87 | 2,59 | 13,2 | 2735 | 22000 | 10069 |
| 1692 | 144,69 | 2,38 | 12,1 | 2755 | 22000 | 10396 |
| 1692 | 165,25 | 2,08 | 10,6 | 2783 | 22000 | 10924 |

KXB603

| Mn ₂ [Nm] | i | Pn ₁ [kW] | n ₂ [rpm] | Fr1 [N] | Fr2 D-S-P [N] | Fr2 C [N] |
|-------------------------|--------|-------------------------|-------------------------|------------|------------------|--------------|
| 1410 | 7,97 | 36,04 | 219,7 | 2647 | 16004 | 4572 |
| 1692 | 9,62 | 35,81 | 181,9 | 2656 | 16152 | 4615 |
| 1880 | 10,33 | 37,04 | 169,3 | 2610 | 15860 | 4531 |
| 1880 | 12,48 | 30,67 | 140,2 | 2849 | 17434 | 4981 |
| 1974 | 13,84 | 29,03 | 126,4 | 2910 | 17910 | 5117 |
| 1974 | 15,38 | 26,13 | 113,8 | 3019 | 18865 | 5390 |
| 2068 | 18,58 | 22,67 | 94,2 | 3150 | 20227 | 5779 |
| 2350 | 20,61 | 23,22 | 84,9 | 3129 | 19967 | 5705 |
| 2632 | 22,78 | 23,52 | 76,8 | 3117 | 19706 | 5630 |
| 2632 | 25,89 | 20,70 | 67,6 | 3223 | 21077 | 6022 |
| 2632 | 27,51 | 19,48 | 63,6 | 3269 | 21748 | 6214 |
| 2632 | 30,79 | 17,40 | 56,8 | 3347 | 23031 | 6580 |
| 2632 | 31,26 | 17,14 | 56,0 | 3357 | 23207 | 6631 |
| 2632 | 34,68 | 15,45 | 50,5 | 3421 | 24438 | 6982 |
| 2632 | 40,53 | 13,22 | 43,2 | 3504 | 26365 | 7533 |
| 2820 | 44,89 | 12,79 | 39,0 | 3521 | 26820 | 7663 |
| 3008 | 49,80 | 12,30 | 35,1 | 3539 | 27343 | 7812 |
| 3008 | 54,30 | 11,28 | 32,2 | 3577 | 28534 | 8153 |
| 3008 | 59,36 | 10,32 | 29,5 | 3613 | 29797 | 8514 |
| 3102 | 62,59 | 10,09 | 28,0 | 3622 | 30000 | 8610 |
| 3102 | 69,43 | 9,10 | 25,2 | 3659 | 30000 | 9052 |
| 3290 | 74,42 | 9,00 | 23,5 | 3663 | 30000 | 9109 |
| 3290 | 80,04 | 8,37 | 21,9 | 3687 | 30000 | 9436 |
| 3290 | 89,87 | 7,45 | 19,5 | 3721 | 30000 | 9971 |
| 3290 | 99,70 | 6,72 | 17,6 | 3749 | 30000 | 10470 |
| 3290 | 106,65 | 6,28 | 16,4 | 3765 | 30000 | 10802 |
| 3290 | 119,60 | 5,60 | 14,6 | 3791 | 30000 | 11385 |
| 3290 | 129,96 | 5,15 | 13,5 | 3808 | 30000 | 11822 |
| 3290 | 144,43 | 4,64 | 12,1 | 3827 | 30000 | 12394 |
| 3290 | 160,23 | 4,18 | 10,9 | 3844 | 30000 | 12976 |
| 3290 | 180,40 | 3,71 | 9,7 | 3862 | 30000 | 13667 |

KXB703

| Mn ₂ [Nm] | i | Pn ₁ [kW] | n ₂ [rpm] | Fr1 [N] | Fr2 D-S-P [N] | Fr2 C [N] |
|-------------------------|-------|-------------------------|-------------------------|------------|------------------|--------------|
| 2820 | 10,84 | 52,97 | 161,4 | 2401 | 14322 | 14322 |
| 2914 | 11,87 | 49,99 | 147,5 | 2491 | 14730 | 14730 |
| 2914 | 14,49 | 40,96 | 120,8 | 2764 | 16364 | 16364 |
| 3008 | 17,04 | 35,94 | 102,7 | 2916 | 17477 | 17477 |
| 3384 | 18,66 | 36,93 | 93,8 | 2886 | 17100 | 17100 |
| 3760 | 21,00 | 36,46 | 83,3 | 2900 | 17009 | 17009 |
| 4136 | 22,77 | 36,98 | 76,8 | 2885 | 16597 | 16597 |

KXB703

| Mn_2 [Nm] | i | Pn_1 [kW] | n_2 [rpm] | Fr_1 [N] | Fr_2 D-S-P [N] | Fr_2 C [N] |
|----------------|--------|----------------|----------------|---------------|---------------------|-----------------|
| 4324 | 25,63 | 34,35 | 68,3 | 2964 | 17182 | 17182 |
| 4324 | 27,44 | 32,08 | 63,8 | 3033 | 17889 | 17889 |
| 4418 | 30,05 | 29,94 | 58,2 | 3098 | 18551 | 18551 |
| 4418 | 33,01 | 27,25 | 53,0 | 3179 | 19580 | 19580 |
| 4512 | 36,67 | 25,05 | 47,7 | 3245 | 20470 | 20470 |
| 4512 | 40,29 | 22,80 | 43,4 | 3313 | 21570 | 21570 |
| 4512 | 44,16 | 20,80 | 39,6 | 3374 | 22675 | 22675 |
| 4700 | 48,35 | 19,79 | 36,2 | 3404 | 23201 | 23201 |
| 4700 | 53,16 | 18,00 | 32,9 | 3458 | 24414 | 24414 |
| 4700 | 54,63 | 17,52 | 32,0 | 3473 | 24770 | 24770 |
| 4700 | 59,02 | 16,22 | 29,6 | 3512 | 25798 | 25798 |
| 4700 | 64,88 | 14,75 | 27,0 | 3557 | 27093 | 27093 |
| 4700 | 70,43 | 13,59 | 24,9 | 3592 | 28249 | 28249 |
| 4700 | 77,12 | 12,41 | 22,7 | 3627 | 29562 | 29562 |
| 4700 | 85,54 | 11,19 | 20,5 | 3664 | 31114 | 31114 |
| 4700 | 94,13 | 10,17 | 18,6 | 3695 | 32591 | 32591 |
| 4700 | 105,83 | 9,04 | 16,5 | 3729 | 34468 | 34468 |
| 4700 | 111,94 | 8,55 | 15,6 | 3744 | 35392 | 35392 |
| 4700 | 124,62 | 7,68 | 14,0 | 3770 | 37208 | 37208 |
| 4700 | 136,44 | 7,01 | 12,8 | 3790 | 38793 | 38793 |
| 4700 | 149,59 | 6,40 | 11,7 | 3809 | 40000 | 40000 |
| 4700 | 166,53 | 5,75 | 10,5 | 3829 | 40000 | 40000 |
| 4700 | 187,24 | 5,11 | 9,3 | 3848 | 40000 | 40000 |

KXB903

| Mn_2 [Nm] | i | Pn_1 [kW] | n_2 [rpm] | Fr_1 [N] | Fr_2 D-S-P [N] | Fr_2 C [N] |
|----------------|-------|----------------|----------------|---------------|---------------------|-----------------|
| 4230 | 10,49 | 82,09 | 166,8 | 7203 | 30265 | 30265 |
| 4230 | 12,64 | 68,13 | 138,4 | 7657 | 32579 | 32579 |
| 4700 | 14,01 | 68,30 | 124,9 | 7651 | 33227 | 33227 |
| 4700 | 15,40 | 62,14 | 113,6 | 7852 | 34499 | 34499 |
| 5640 | 18,56 | 61,89 | 94,3 | 7860 | 35747 | 35747 |
| 6110 | 20,56 | 60,50 | 85,1 | 7905 | 36575 | 36575 |
| 6298 | 23,86 | 53,75 | 73,3 | 8125 | 38588 | 38588 |
| 6392 | 25,19 | 51,67 | 69,5 | 8193 | 39314 | 39314 |
| 7520 | 28,23 | 54,24 | 62,0 | 8109 | 39527 | 39527 |
| 7520 | 30,35 | 50,45 | 57,7 | 8232 | 40748 | 40748 |
| 7520 | 33,63 | 45,52 | 52,0 | 8393 | 42534 | 42534 |
| 7520 | 35,02 | 43,72 | 50,0 | 8451 | 43252 | 43252 |
| 7520 | 38,81 | 39,45 | 45,1 | 8590 | 45125 | 45125 |
| 7520 | 42,30 | 36,20 | 41,4 | 8696 | 46743 | 46743 |
| 7520 | 47,53 | 32,21 | 36,8 | 8826 | 49012 | 49012 |

KXB903

| Mn_2 [Nm] | i | Pn_1 [kW] | n_2 [rpm] | Fr_1 [N] | Fr_2 D-S-P [N] | Fr_2 C [N] |
|----------------|--------|----------------|----------------|---------------|---------------------|-----------------|
| 7520 | 50,56 | 30,28 | 34,6 | 8889 | 50248 | 50248 |
| 7520 | 54,64 | 28,02 | 32,0 | 8963 | 51837 | 51837 |
| 7520 | 57,27 | 26,73 | 30,6 | 9005 | 52821 | 52821 |
| 7520 | 60,92 | 25,13 | 28,7 | 9057 | 54136 | 54136 |
| 7520 | 63,47 | 24,12 | 27,6 | 9090 | 55024 | 55024 |
| 7520 | 71,15 | 21,52 | 24,6 | 9174 | 57559 | 57559 |
| 7520 | 77,22 | 19,83 | 22,7 | 9229 | 59440 | 59440 |
| 7520 | 83,89 | 18,25 | 20,9 | 9281 | 61391 | 61391 |
| 7520 | 87,65 | 17,47 | 20,0 | 9306 | 62448 | 62448 |
| 7520 | 93,05 | 16,46 | 18,8 | 9339 | 63911 | 63911 |
| 7520 | 103,12 | 14,85 | 17,0 | 9392 | 65000 | 65000 |
| 7520 | 123,88 | 12,36 | 14,1 | 9473 | 65000 | 65000 |
| 7520 | 134,27 | 11,40 | 13,0 | 9504 | 65000 | 65000 |
| 7520 | 149,26 | 10,26 | 11,7 | 9541 | 65000 | 65000 |
| 7520 | 165,42 | 9,26 | 10,6 | 9574 | 65000 | 65000 |

KXA202

| Mn ₂ [Nm] | i | Pn ₁ [kW] | n ₂ [rpm] | Fr1 [N] | Fr2 D-S-P [N] | Fr2 C [N] |
|-------------------------|-------|-------------------------|-------------------------|------------|------------------|--------------|
| 90 | 7,62 | 1,82 | 183,8 | 373 | - | 1814 |
| 90 | 10,62 | 1,31 | 131,8 | 355 | - | 2027 |
| 90 | 12,95 | 1,07 | 108,1 | 406 | - | 2165 |
| 90 | 14,46 | 0,96 | 96,8 | 443 | - | 2246 |
| 120 | 16,47 | 1,12 | 85,0 | 579 | - | 2346 |
| 120 | 22,97 | 0,81 | 60,9 | 355 | - | 2621 |
| 120 | 28,00 | 0,66 | 50,0 | 406 | - | 2800 |
| 120 | 31,27 | 0,59 | 44,8 | 443 | - | 2905 |
| 120 | 33,78 | 0,55 | 41,4 | 458 | - | 2981 |
| 120 | 47,12 | 0,39 | 29,7 | 355 | - | 3331 |
| 120 | 57,43 | 0,32 | 24,4 | 406 | - | 3558 |
| 110 | 64,13 | 0,26 | 21,8 | 406 | - | 3691 |
| 110 | 78,17 | 0,22 | 17,9 | 406 | - | 3943 |

KXA252

| Mn ₂ [Nm] | i | Pn ₁ [kW] | n ₂ [rpm] | Fr1 [N] | Fr2 D-S-P [N] | Fr2 C [N] |
|-------------------------|-------|-------------------------|-------------------------|------------|------------------|--------------|
| 160 | 7,91 | 3,12 | 176,9 | 373 | - | 1969 |
| 160 | 9,46 | 2,61 | 148,0 | 414 | - | 2090 |
| 160 | 11,57 | 2,13 | 121,0 | 405 | - | 2235 |
| 160 | 14,63 | 1,69 | 95,7 | 392 | - | 2416 |
| 200 | 17,11 | 1,80 | 81,8 | 529 | - | 2546 |
| 200 | 20,46 | 1,51 | 68,4 | 414 | - | 2702 |
| 200 | 25,03 | 1,23 | 55,9 | 405 | - | 2890 |
| 200 | 31,63 | 0,98 | 44,3 | 392 | - | 3124 |
| 200 | 35,10 | 0,88 | 39,9 | 446 | - | 3235 |
| 200 | 41,97 | 0,74 | 33,4 | 414 | - | 3433 |
| 220 | 51,34 | 0,66 | 27,3 | 445 | - | 3672 |
| 200 | 64,87 | 0,48 | 21,6 | 356 | - | 3970 |
| 200 | 79,07 | 0,39 | 17,7 | 406 | - | 4000 |

KXA253

| Mn ₂ [Nm] | i | Pn ₁ [kW] | n ₂ [rpm] | Fr1 [N] | Fr2 D-S-P [N] | Fr2 C [N] |
|-------------------------|--------|-------------------------|-------------------------|------------|------------------|--------------|
| 220 | 73,70 | 0,49 | 19,0 | 472 | - | 4000 |
| 220 | 93,33 | 0,38 | 15,0 | 472 | - | 4000 |
| 220 | 111,61 | 0,32 | 12,5 | 472 | - | 4000 |
| 220 | 136,53 | 0,26 | 10,2 | 472 | - | 4000 |
| 220 | 172,53 | 0,21 | 8,1 | 472 | - | 4000 |
| 220 | 197,11 | 0,18 | 7,1 | 472 | - | 4000 |
| 220 | 249,08 | 0,14 | 5,6 | 472 | - | 4000 |

KXA253

| Mn ₂ [Nm] | i | Pn ₁ [kW] | n ₂ [rpm] | Fr1 [N] | Fr2 D-S-P [N] | Fr2 C [N] |
|-------------------------|--------|-------------------------|-------------------------|------------|------------------|--------------|
| 220 | 271,16 | 0,13 | 5,2 | 472 | - | 4000 |
| 220 | 342,65 | 0,10 | 4,1 | 472 | - | 4000 |

KXA352

| Mn ₂ [Nm] | i | Pn ₁ [kW] | n ₂ [rpm] | Fr1 [N] | Fr2 D-S-P [N] | Fr2 C [N] |
|-------------------------|-------|-------------------------|-------------------------|------------|------------------|--------------|
| 350 | 8,36 | 6,46 | 167,5 | 664 | 5079 | 2540 |
| 350 | 10,06 | 5,37 | 139,2 | 685 | 5403 | 2701 |
| 350 | 12,44 | 4,34 | 112,5 | 667 | 5800 | 2900 |
| 420 | 14,91 | 4,35 | 93,9 | 826 | 6160 | 3080 |
| 420 | 17,94 | 3,61 | 78,0 | 685 | 6552 | 3276 |
| 420 | 22,19 | 2,92 | 63,1 | 667 | 7033 | 3517 |
| 420 | 27,45 | 2,36 | 51,0 | 667 | 7550 | 3775 |
| 420 | 33,04 | 1,96 | 42,4 | 685 | 8031 | 4016 |
| 400 | 40,87 | 1,51 | 34,2 | 635 | 8621 | 4311 |
| 350 | 45,64 | 1,18 | 30,7 | 646 | 8944 | 4472 |
| 350 | 54,94 | 0,98 | 25,5 | 685 | 9515 | 4757 |
| 350 | 67,96 | 0,79 | 20,6 | 667 | 10000 | 5107 |

KXA353

| Mn ₂ [Nm] | i | Pn ₁ [kW] | n ₂ [rpm] | Fr1 [N] | Fr2 D-S-P [N] | Fr2 C [N] |
|-------------------------|--------|-------------------------|-------------------------|------------|------------------|--------------|
| 450 | 43,89 | 1,67 | 31,9 | 330 | 8828 | 4414 |
| 450 | 52,83 | 1,39 | 26,5 | 411 | 9391 | 4696 |
| 450 | 65,35 | 1,12 | 21,4 | 400 | 10000 | 5041 |
| 450 | 80,83 | 0,91 | 17,3 | 400 | 10000 | 5411 |
| 450 | 97,29 | 0,75 | 14,4 | 411 | 10000 | 5500 |
| 450 | 120,34 | 0,61 | 11,6 | 400 | 10000 | 5500 |
| 450 | 149,73 | 0,49 | 9,3 | 398 | 10000 | 5500 |
| 450 | 180,23 | 0,41 | 7,8 | 411 | 10000 | 5500 |
| 450 | 222,93 | 0,33 | 6,3 | 400 | 10000 | 5500 |
| 450 | 260,20 | 0,28 | 5,4 | 424 | 10000 | 5500 |
| 450 | 321,85 | 0,23 | 4,3 | 400 | 10000 | 5500 |
| 450 | 357,95 | 0,20 | 3,9 | 445 | 10000 | 5500 |
| 450 | 442,76 | 0,17 | 3,2 | 400 | 10000 | 5500 |

KXB1003

| Mn ₂ [Nm] | i | Pn ₁ [kW] | n ₂ [rpm] | Fr1 [N] | Fr2 D-S-P [N] | Fr2 C [N] |
|-------------------------|------|-------------------------|-------------------------|------------|------------------|--------------|
| 6800 | 8,89 | 124,57 | 157,4 | 7073 | 46145 | 46145 |

KXB1003

| Mn_2 [Nm] | i | Pn_1 [kW] | n_2 [rpm] | Fr1 [N] | Fr2 D-S-P [N] | Fr2 C [N] |
|----------------|--------|----------------|----------------|------------|------------------|--------------|
| 7900 | 10,58 | 121,68 | 132,4 | 7148 | 47640 | 47640 |
| 7700 | 11,87 | 105,67 | 118,0 | 7565 | 50376 | 50376 |
| 8800 | 12,81 | 111,91 | 109,3 | 7403 | 50078 | 50078 |
| 9600 | 14,08 | 111,03 | 99,4 | 7426 | 50762 | 50762 |
| 10000 | 15,52 | 104,94 | 90,2 | 7584 | 52265 | 52265 |
| 9900 | 16,39 | 98,41 | 85,4 | 7754 | 53698 | 53698 |
| 10400 | 18,02 | 94,03 | 77,7 | 7869 | 55082 | 55082 |
| 10700 | 19,96 | 87,33 | 70,2 | 8043 | 57072 | 57072 |
| 10400 | 21,94 | 77,20 | 63,8 | 8307 | 60008 | 60008 |
| 10500 | 24,17 | 70,75 | 57,9 | 8475 | 62369 | 62369 |
| 11100 | 26,58 | 68,03 | 52,7 | 8546 | 63887 | 63887 |
| 10200 | 28,80 | 57,69 | 48,6 | 8815 | 67696 | 65000 |
| 11500 | 30,92 | 60,58 | 45,3 | 8740 | 67456 | 65000 |
| 11900 | 34,25 | 56,59 | 40,9 | 8844 | 69762 | 65000 |
| 12300 | 37,66 | 53,20 | 37,2 | 8932 | 71943 | 65000 |
| 12700 | 40,65 | 50,89 | 34,4 | 8992 | 73630 | 65000 |
| 12000 | 45,09 | 43,35 | 31,1 | 9189 | 78186 | 65000 |
| 13000 | 51,00 | 41,52 | 27,4 | 9236 | 80000 | 65000 |
| 13000 | 53,63 | 39,48 | 26,1 | 9289 | 80000 | 65000 |
| 13000 | 58,97 | 35,91 | 23,7 | 9382 | 80000 | 65000 |
| 13000 | 69,78 | 30,35 | 20,1 | 9527 | 80000 | 65000 |
| 13000 | 76,72 | 27,60 | 18,2 | 9599 | 80000 | 65000 |
| 13000 | 87,54 | 24,19 | 16,0 | 9688 | 80000 | 65000 |
| 13000 | 96,25 | 22,00 | 14,6 | 9745 | 80000 | 65000 |
| 13000 | 103,93 | 20,37 | 13,5 | 9787 | 80000 | 65000 |
| 13000 | 114,27 | 18,53 | 12,2 | 9835 | 80000 | 65000 |
| 13000 | 126,29 | 16,77 | 11,1 | 9881 | 80000 | 65000 |
| 13000 | 138,85 | 15,25 | 10,1 | 9921 | 80000 | 65000 |
| 13000 | 154,83 | 13,68 | 9,0 | 9962 | 80000 | 65000 |

KXB353

| Mn_2 [Nm] | i | Pn_1 [kW] | n_2 [rpm] | Fr1 [N] | Fr2 D-S-P [N] | Fr2 C [N] |
|----------------|-------|----------------|----------------|------------|------------------|--------------|
| 290 | 5,71 | 8,27 | 245,0 | 314 | 7034 | 2010 |
| 340 | 6,88 | 8,05 | 203,5 | 337 | 7335 | 2096 |
| 350 | 7,32 | 7,79 | 191,2 | 365 | 7475 | 2136 |
| 460 | 9,16 | 8,18 | 152,8 | 323 | 7673 | 2192 |
| 520 | 10,26 | 8,25 | 136,4 | 315 | 7774 | 2221 |
| 540 | 11,03 | 7,98 | 127,0 | 345 | 7927 | 2265 |
| 580 | 12,35 | 7,65 | 113,3 | 380 | 8142 | 2326 |
| 590 | 13,15 | 7,31 | 106,5 | 416 | 8322 | 2378 |
| 590 | 15,18 | 6,33 | 92,3 | 519 | 8853 | 2529 |

KXB353

| Mn ₂ [Nm] | i | Pn ₁ [kW] | n ₂ [rpm] | Fr1 [N] | Fr2 D-S-P [N] | Fr2 C [N] |
|-------------------------|--------|-------------------------|-------------------------|------------|------------------|--------------|
| 600 | 17,00 | 5,75 | 82,3 | 581 | 9248 | 2642 |
| 600 | 22,39 | 4,36 | 62,5 | 728 | 10385 | 2967 |
| 600 | 26,09 | 3,75 | 53,7 | 794 | 11063 | 3161 |
| 600 | 28,03 | 3,49 | 49,9 | 821 | 11393 | 3255 |
| 600 | 33,43 | 2,92 | 41,9 | 881 | 12000 | 3496 |
| 600 | 38,58 | 2,53 | 36,3 | 922 | 12000 | 3703 |
| 600 | 43,22 | 2,26 | 32,4 | 951 | 12000 | 3874 |
| 600 | 50,81 | 1,92 | 27,6 | 987 | 12000 | 4129 |
| 600 | 56,93 | 1,72 | 24,6 | 1009 | 12000 | 4316 |
| 600 | 69,16 | 1,41 | 20,2 | 1041 | 12000 | 4654 |
| 600 | 77,48 | 1,26 | 18,1 | 1057 | 12000 | 4861 |
| 600 | 90,33 | 1,08 | 15,5 | 1076 | 12000 | 5154 |
| 600 | 101,20 | 0,97 | 13,8 | 1089 | 12000 | 5380 |
| 600 | 111,74 | 0,87 | 12,5 | 1098 | 12000 | 5585 |
| 600 | 124,20 | 0,79 | 11,3 | 1108 | 12000 | 5811 |
| 600 | 139,15 | 0,70 | 10,1 | 1116 | 12000 | 6062 |
| 600 | 157,42 | 0,62 | 8,9 | 1125 | 12000 | 6346 |

KXB403

| Mn ₂ [Nm] | i | Pn ₁ [kW] | n ₂ [rpm] | Fr1 [N] | Fr2 D-S-P [N] | Fr2 C [N] |
|-------------------------|-------|-------------------------|-------------------------|------------|------------------|--------------|
| 500 | 7,81 | 10,43 | 179,3 | 1685 | 11980 | 3423 |
| 600 | 8,62 | 11,33 | 162,4 | 1571 | 12040 | 3440 |
| 650 | 10,49 | 10,09 | 133,4 | 1728 | 12807 | 3659 |
| 750 | 11,59 | 10,54 | 120,8 | 1671 | 12915 | 3690 |
| 810 | 14,43 | 9,14 | 97,0 | 1847 | 13870 | 3963 |
| 850 | 16,60 | 8,34 | 84,4 | 1948 | 14518 | 4148 |
| 850 | 18,32 | 7,56 | 76,4 | 2047 | 15115 | 4319 |
| 850 | 22,82 | 6,07 | 61,4 | 2235 | 16508 | 4717 |
| 850 | 26,71 | 5,18 | 52,4 | 2346 | 17573 | 5021 |
| 850 | 29,50 | 4,69 | 47,5 | 2408 | 18000 | 5220 |
| 850 | 31,80 | 4,35 | 44,0 | 2451 | 18000 | 5376 |
| 850 | 34,49 | 4,01 | 40,6 | 2494 | 18000 | 5549 |
| 850 | 39,60 | 3,50 | 35,4 | 2500 | 18000 | 5853 |
| 850 | 42,95 | 3,22 | 32,6 | 2500 | 18000 | 6039 |
| 850 | 45,44 | 3,05 | 30,8 | 2500 | 18000 | 6171 |
| 850 | 51,19 | 2,70 | 27,4 | 2500 | 18000 | 6458 |
| 850 | 55,52 | 2,49 | 25,2 | 2500 | 18000 | 6660 |
| 850 | 59,96 | 2,31 | 23,4 | 2500 | 18000 | 6856 |
| 850 | 63,74 | 2,17 | 22,0 | 2500 | 18000 | 7016 |
| 850 | 69,14 | 2,00 | 20,2 | 2500 | 18000 | 7234 |
| 850 | 73,14 | 1,89 | 19,1 | 2500 | 18000 | 7388 |

KXB403

| Mn ₂ [Nm] | i | Pn ₁ [kW] | n ₂ [rpm] | Fr1 [N] | Fr2 D-S-P [N] | Fr2 C [N] |
|-------------------------|--------|-------------------------|-------------------------|------------|------------------|--------------|
| 850 | 80,76 | 1,71 | 17,3 | 2500 | 18000 | 7666 |
| 850 | 92,19 | 1,50 | 15,2 | 2500 | 18000 | 8052 |
| 850 | 100,57 | 1,38 | 13,9 | 2500 | 18000 | 8315 |
| 850 | 105,29 | 1,32 | 13,3 | 2500 | 18000 | 8457 |
| 850 | 116,25 | 1,19 | 12,0 | 2500 | 18000 | 8771 |
| 850 | 126,76 | 1,09 | 11,0 | 2500 | 18000 | 9053 |
| 850 | 144,77 | 0,96 | 9,7 | 2500 | 18000 | 9503 |

KXB503

| Mn ₂ [Nm] | i | Pn ₁ [kW] | n ₂ [rpm] | Fr1 [N] | Fr2 D-S-P [N] | Fr2 C [N] |
|-------------------------|--------|-------------------------|-------------------------|------------|------------------|--------------|
| 800 | 8,13 | 16,03 | 172,3 | 1078 | 14868 | 4248 |
| 900 | 8,97 | 16,35 | 156,1 | 1041 | 15147 | 4328 |
| 1000 | 10,92 | 14,92 | 128,2 | 1211 | 16052 | 4586 |
| 1000 | 12,05 | 13,52 | 116,2 | 1377 | 16676 | 4765 |
| 1200 | 14,99 | 13,04 | 93,4 | 1433 | 17560 | 5017 |
| 1400 | 17,27 | 13,20 | 81,1 | 1414 | 17992 | 5141 |
| 1400 | 19,06 | 11,97 | 73,5 | 1561 | 18718 | 5348 |
| 1400 | 23,70 | 9,62 | 59,1 | 1839 | 20415 | 5833 |
| 1500 | 26,51 | 9,22 | 52,8 | 1887 | 21050 | 6014 |
| 1600 | 30,55 | 8,53 | 45,8 | 1969 | 21978 | 6279 |
| 1700 | 33,07 | 8,37 | 42,3 | 1987 | 22000 | 6398 |
| 1700 | 35,87 | 7,72 | 39,0 | 2065 | 22000 | 6610 |
| 1700 | 41,12 | 6,73 | 34,0 | 2182 | 22000 | 6979 |
| 1700 | 44,61 | 6,21 | 31,4 | 2244 | 22000 | 7207 |
| 1700 | 47,28 | 5,86 | 29,6 | 2286 | 22000 | 7374 |
| 1700 | 50,24 | 5,51 | 27,9 | 2327 | 22000 | 7552 |
| 1700 | 53,02 | 5,22 | 26,4 | 2361 | 22000 | 7712 |
| 1700 | 58,50 | 4,73 | 23,9 | 2419 | 22000 | 8013 |
| 1700 | 64,89 | 4,27 | 21,6 | 2474 | 22000 | 8340 |
| 1700 | 68,58 | 4,04 | 20,4 | 2502 | 22000 | 8519 |
| 1700 | 72,76 | 3,81 | 19,2 | 2529 | 22000 | 8715 |
| 1700 | 78,92 | 3,51 | 17,7 | 2564 | 22000 | 8990 |
| 1800 | 83,66 | 3,50 | 16,7 | 2565 | 22000 | 9109 |
| 1800 | 92,31 | 3,18 | 15,2 | 2604 | 22000 | 9459 |
| 1800 | 105,44 | 2,78 | 13,3 | 2651 | 22000 | 9950 |
| 1800 | 114,80 | 2,55 | 12,2 | 2678 | 22000 | 10275 |
| 1800 | 120,42 | 2,43 | 11,6 | 2692 | 22000 | 10462 |
| 1800 | 132,87 | 2,21 | 10,5 | 2719 | 22000 | 10856 |
| 1800 | 144,69 | 2,03 | 9,7 | 2740 | 22000 | 11208 |
| 1800 | 165,25 | 1,77 | 8,5 | 2770 | 22000 | 11776 |

KXB603

| Mn ₂ [Nm] | i | Pn ₁ [kW] | n ₂ [rpm] | Fr1 [N] | Fr2 D-S-P [N] | Fr2 C [N] |
|-------------------------|--------|-------------------------|-------------------------|------------|------------------|--------------|
| 1500 | 7,97 | 30,67 | 175,8 | 2561 | 17308 | 4945 |
| 1800 | 9,62 | 30,48 | 145,5 | 2570 | 17484 | 4995 |
| 2000 | 10,33 | 31,52 | 135,5 | 2521 | 17181 | 4909 |
| 2000 | 12,48 | 26,10 | 112,2 | 2775 | 18875 | 5393 |
| 2100 | 13,84 | 24,71 | 101,1 | 2841 | 19393 | 5541 |
| 2100 | 15,38 | 22,24 | 91,0 | 2957 | 20420 | 5834 |
| 2200 | 18,58 | 19,29 | 75,4 | 3095 | 21892 | 6255 |
| 2500 | 20,61 | 19,76 | 67,9 | 3073 | 21629 | 6180 |
| 2800 | 22,78 | 20,02 | 61,5 | 3061 | 21364 | 6104 |
| 2800 | 25,89 | 17,62 | 54,1 | 3174 | 22840 | 6526 |
| 2800 | 27,51 | 16,58 | 50,9 | 3223 | 23562 | 6732 |
| 2800 | 30,79 | 14,81 | 45,5 | 3306 | 24944 | 7127 |
| 2800 | 31,26 | 14,59 | 44,8 | 3316 | 25133 | 7181 |
| 2800 | 34,68 | 13,15 | 40,4 | 3384 | 26458 | 7559 |
| 2800 | 40,53 | 11,25 | 34,5 | 3473 | 28532 | 8152 |
| 3000 | 44,89 | 10,89 | 31,2 | 3490 | 29033 | 8295 |
| 3200 | 49,80 | 10,47 | 28,1 | 3510 | 29606 | 8459 |
| 3200 | 54,30 | 9,60 | 25,8 | 3550 | 30000 | 8825 |
| 3200 | 59,36 | 8,78 | 23,6 | 3589 | 30000 | 9214 |
| 3300 | 62,59 | 8,59 | 22,4 | 3598 | 30000 | 9319 |
| 3300 | 69,43 | 7,74 | 20,2 | 3638 | 30000 | 9795 |
| 3500 | 74,42 | 7,66 | 18,8 | 3641 | 30000 | 9859 |
| 3500 | 80,04 | 7,12 | 17,5 | 3667 | 30000 | 10211 |
| 3500 | 89,87 | 6,34 | 15,6 | 3703 | 30000 | 10788 |
| 3500 | 99,70 | 5,72 | 14,0 | 3733 | 30000 | 11324 |
| 3500 | 106,65 | 5,35 | 13,1 | 3750 | 30000 | 11682 |
| 3500 | 119,60 | 4,77 | 11,7 | 3777 | 30000 | 12309 |
| 3500 | 129,96 | 4,39 | 10,8 | 3795 | 30000 | 12780 |
| 3500 | 144,43 | 3,95 | 9,7 | 3816 | 30000 | 13395 |
| 3500 | 160,23 | 3,56 | 8,7 | 3834 | 30000 | 14022 |
| 3500 | 180,40 | 3,16 | 7,8 | 3853 | 30000 | 14766 |

KXB703

| Mn ₂ [Nm] | i | Pn ₁ [kW] | n ₂ [rpm] | Fr1 [N] | Fr2 D-S-P [N] | Fr2 C [N] |
|-------------------------|-------|-------------------------|-------------------------|------------|------------------|--------------|
| 3000 | 10,84 | 45,08 | 129,2 | 2299 | 15530 | 15530 |
| 3100 | 11,87 | 42,55 | 118,0 | 2395 | 15973 | 15973 |
| 3100 | 14,49 | 34,86 | 96,7 | 2685 | 17731 | 17731 |
| 3200 | 17,04 | 30,59 | 82,2 | 2847 | 18933 | 18933 |
| 3600 | 18,66 | 31,43 | 75,0 | 2815 | 18542 | 18542 |
| 4000 | 21,00 | 31,03 | 66,7 | 2830 | 18460 | 18460 |
| 4400 | 22,77 | 31,47 | 61,5 | 2813 | 18031 | 18031 |

KXB703

| Mn ₂ [Nm] | i | Pn ₁ [kW] | n ₂ [rpm] | Fr1 [N] | Fr2 D-S-P [N] | Fr2 C [N] |
|-------------------------|--------|-------------------------|-------------------------|------------|------------------|--------------|
| 4600 | 25,63 | 29,24 | 54,6 | 2898 | 18668 | 18668 |
| 4600 | 27,44 | 27,30 | 51,0 | 2971 | 19429 | 19429 |
| 4700 | 30,05 | 25,48 | 46,6 | 3040 | 20146 | 20146 |
| 4700 | 33,01 | 23,19 | 42,4 | 3126 | 21254 | 21254 |
| 4800 | 36,67 | 21,32 | 38,2 | 3197 | 22216 | 22216 |
| 4800 | 40,29 | 19,41 | 34,8 | 3269 | 23399 | 23399 |
| 4800 | 44,16 | 17,70 | 31,7 | 3334 | 24589 | 24589 |
| 5000 | 48,35 | 16,84 | 28,9 | 3366 | 25162 | 25162 |
| 5000 | 53,16 | 15,32 | 26,3 | 3424 | 26469 | 26469 |
| 5000 | 54,63 | 14,91 | 25,6 | 3439 | 26852 | 26852 |
| 5000 | 59,02 | 13,80 | 23,7 | 3481 | 27958 | 27958 |
| 5000 | 64,88 | 12,55 | 21,6 | 3528 | 29352 | 29352 |
| 5000 | 70,43 | 11,56 | 19,9 | 3566 | 30597 | 30597 |
| 5000 | 77,12 | 10,56 | 18,1 | 3603 | 32010 | 32010 |
| 5000 | 85,54 | 9,52 | 16,4 | 3643 | 33680 | 33680 |
| 5000 | 94,13 | 8,65 | 14,9 | 3675 | 35271 | 35271 |
| 5000 | 105,83 | 7,70 | 13,2 | 3712 | 37290 | 37290 |
| 5000 | 111,94 | 7,28 | 12,5 | 3728 | 38286 | 38286 |
| 5000 | 124,62 | 6,54 | 11,2 | 3755 | 40000 | 40000 |
| 5000 | 136,44 | 5,97 | 10,3 | 3777 | 40000 | 40000 |
| 5000 | 149,59 | 5,44 | 9,4 | 3797 | 40000 | 40000 |
| 5000 | 166,53 | 4,89 | 8,4 | 3818 | 40000 | 40000 |
| 5000 | 187,24 | 4,35 | 7,5 | 3838 | 40000 | 40000 |

KXB903

| Mn ₂ [Nm] | i | Pn ₁ [kW] | n ₂ [rpm] | Fr1 [N] | Fr2 D-S-P [N] | Fr2 C [N] |
|-------------------------|-------|-------------------------|-------------------------|------------|------------------|--------------|
| 4500 | 10,49 | 69,86 | 133,4 | 7032 | 32656 | 32656 |
| 4500 | 12,64 | 57,98 | 110,7 | 7516 | 35147 | 35147 |
| 5000 | 14,01 | 58,13 | 99,9 | 7509 | 35853 | 35853 |
| 5000 | 15,40 | 52,89 | 90,9 | 7723 | 37222 | 37222 |
| 6000 | 18,56 | 52,67 | 75,5 | 7732 | 38582 | 38582 |
| 6500 | 20,56 | 51,49 | 68,1 | 7780 | 39483 | 39483 |
| 6700 | 23,86 | 45,74 | 58,7 | 8014 | 41653 | 41653 |
| 6800 | 25,19 | 43,98 | 55,6 | 8085 | 42436 | 42436 |
| 8000 | 28,23 | 46,16 | 49,6 | 7997 | 42686 | 42686 |
| 8000 | 30,35 | 42,94 | 46,1 | 8128 | 44001 | 44001 |
| 8000 | 33,63 | 38,74 | 41,6 | 8298 | 45923 | 45923 |
| 8000 | 35,02 | 37,21 | 40,0 | 8361 | 46696 | 46696 |
| 8000 | 38,81 | 33,58 | 36,1 | 8509 | 48712 | 48712 |
| 8000 | 42,30 | 30,81 | 33,1 | 8621 | 50453 | 50453 |
| 8000 | 47,53 | 27,41 | 29,4 | 8759 | 52896 | 52896 |

KXB903

| Mn_2 [Nm] | i | Pn_1 [kW] | n_2 [rpm] | Fr_1 [N] | Fr_2 D-S-P [N] | Fr_2 C [N] |
|----------------|--------|----------------|----------------|---------------|---------------------|-----------------|
| 8000 | 50,56 | 25,77 | 27,7 | 8826 | 54227 | 54227 |
| 8000 | 54,64 | 23,85 | 25,6 | 8904 | 55937 | 55937 |
| 8000 | 57,27 | 22,75 | 24,4 | 8949 | 56996 | 56996 |
| 8000 | 60,92 | 21,39 | 23,0 | 9005 | 58412 | 58412 |
| 8000 | 63,47 | 20,53 | 22,1 | 9039 | 59367 | 59367 |
| 8000 | 71,15 | 18,32 | 19,7 | 9130 | 62097 | 62097 |
| 8000 | 77,22 | 16,87 | 18,1 | 9188 | 64121 | 64121 |
| 8000 | 83,89 | 15,53 | 16,7 | 9243 | 65000 | 65000 |
| 8000 | 87,65 | 14,87 | 16,0 | 9270 | 65000 | 65000 |
| 8000 | 93,05 | 14,00 | 15,1 | 9305 | 65000 | 65000 |
| 8000 | 103,12 | 12,64 | 13,6 | 9361 | 65000 | 65000 |
| 8000 | 123,88 | 10,52 | 11,3 | 9447 | 65000 | 65000 |
| 8000 | 134,27 | 9,71 | 10,4 | 9480 | 65000 | 65000 |
| 8000 | 149,26 | 8,73 | 9,4 | 9520 | 65000 | 65000 |
| 8000 | 165,42 | 7,88 | 8,5 | 9554 | 65000 | 65000 |

KXA202

| Mn_2 [Nm] | i | Pn_1 [kW] | n_2 [rpm] | Fr_1 [N] | Fr_2 D-S-P [N] | Fr_2 C [N] |
|----------------|-------|----------------|----------------|---------------|---------------------|-----------------|
| 92 | 7,62 | 1,51 | 149,7 | 373 | - | 1943 |
| 92 | 10,62 | 1,08 | 107,3 | 355 | - | 2171 |
| 92 | 12,95 | 0,89 | 88,0 | 406 | - | 2319 |
| 92 | 14,46 | 0,79 | 78,8 | 443 | - | 2406 |
| 123 | 16,47 | 0,93 | 69,2 | 579 | - | 2512 |
| 123 | 22,97 | 0,67 | 49,6 | 355 | - | 2807 |
| 123 | 28,00 | 0,55 | 40,7 | 406 | - | 2998 |
| 123 | 31,27 | 0,49 | 36,5 | 443 | - | 3111 |
| 123 | 33,78 | 0,45 | 33,8 | 458 | - | 3192 |
| 123 | 47,12 | 0,32 | 24,2 | 355 | - | 3567 |
| 123 | 57,43 | 0,27 | 19,9 | 406 | - | 3810 |
| 113 | 64,13 | 0,22 | 17,8 | 406 | - | 3952 |
| 113 | 78,17 | 0,18 | 14,6 | 406 | - | 4000 |

KXA252

| Mn_2 [Nm] | i | Pn_1 [kW] | n_2 [rpm] | Fr_1 [N] | Fr_2 D-S-P [N] | Fr_2 C [N] |
|----------------|-------|----------------|----------------|---------------|---------------------|-----------------|
| 164 | 7,91 | 2,58 | 144,1 | 373 | - | 2108 |
| 164 | 9,46 | 2,16 | 120,5 | 414 | - | 2238 |
| 164 | 11,57 | 1,76 | 98,5 | 405 | - | 2393 |
| 164 | 14,63 | 1,40 | 77,9 | 392 | - | 2587 |
| 205 | 17,11 | 1,49 | 66,6 | 529 | - | 2726 |
| 205 | 20,46 | 1,25 | 55,7 | 414 | - | 2894 |
| 205 | 25,03 | 1,02 | 45,5 | 405 | - | 3095 |
| 205 | 31,63 | 0,81 | 36,0 | 392 | - | 3346 |
| 205 | 35,10 | 0,73 | 32,5 | 446 | - | 3464 |
| 205 | 41,97 | 0,61 | 27,2 | 414 | - | 3677 |
| 226 | 51,34 | 0,55 | 22,2 | 445 | - | 3932 |
| 205 | 64,87 | 0,39 | 17,6 | 356 | - | 4000 |
| 205 | 79,07 | 0,32 | 14,4 | 406 | - | 4000 |

KXA253

| Mn_2 [Nm] | i | Pn_1 [kW] | n_2 [rpm] | Fr_1 [N] | Fr_2 D-S-P [N] | Fr_2 C [N] |
|----------------|--------|----------------|----------------|---------------|---------------------|-----------------|
| 226 | 73,70 | 0,40 | 15,5 | 472 | - | 4000 |
| 226 | 93,33 | 0,32 | 12,2 | 472 | - | 4000 |
| 226 | 111,61 | 0,27 | 10,2 | 472 | - | 4000 |
| 226 | 136,53 | 0,22 | 8,3 | 472 | - | 4000 |
| 226 | 172,53 | 0,17 | 6,6 | 472 | - | 4000 |
| 226 | 197,11 | 0,15 | 5,8 | 472 | - | 4000 |
| 226 | 249,08 | 0,12 | 4,6 | 472 | - | 4000 |

KXA253

| Mn ₂ [Nm] | i | Pn ₁ [kW] | n ₂ [rpm] | Fr1 [N] | Fr2 D-S-P [N] | Fr2 C [N] |
|-------------------------|--------|-------------------------|-------------------------|------------|------------------|--------------|
| 226 | 271,16 | 0,11 | 4,2 | 472 | - | 4000 |
| 226 | 342,65 | 0,09 | 3,3 | 472 | - | 4000 |

KXA352

| Mn ₂ [Nm] | i | Pn ₁ [kW] | n ₂ [rpm] | Fr1 [N] | Fr2 D-S-P [N] | Fr2 C [N] |
|-------------------------|-------|-------------------------|-------------------------|------------|------------------|--------------|
| 359 | 8,36 | 5,34 | 136,4 | 664 | 5439 | 2720 |
| 359 | 10,06 | 4,44 | 113,3 | 685 | 5786 | 2893 |
| 359 | 12,44 | 3,59 | 91,6 | 667 | 6211 | 3105 |
| 431 | 14,91 | 3,59 | 76,5 | 826 | 6596 | 3298 |
| 431 | 17,94 | 2,98 | 63,5 | 685 | 7017 | 3508 |
| 431 | 22,19 | 2,41 | 51,4 | 667 | 7532 | 3766 |
| 431 | 27,45 | 1,95 | 41,5 | 667 | 8085 | 4043 |
| 431 | 33,04 | 1,62 | 34,5 | 685 | 8600 | 4300 |
| 410 | 40,87 | 1,25 | 27,9 | 635 | 9232 | 4616 |
| 359 | 45,64 | 0,98 | 25,0 | 646 | 9578 | 4789 |
| 359 | 54,94 | 0,81 | 20,8 | 685 | 10000 | 5095 |
| 359 | 67,96 | 0,66 | 16,8 | 667 | 10000 | 5469 |

KXA353

| Mn ₂ [Nm] | i | Pn ₁ [kW] | n ₂ [rpm] | Fr1 [N] | Fr2 D-S-P [N] | Fr2 C [N] |
|-------------------------|--------|-------------------------|-------------------------|------------|------------------|--------------|
| 461 | 43,89 | 1,38 | 26,0 | 330 | 9454 | 4727 |
| 461 | 52,83 | 1,15 | 21,6 | 411 | 10000 | 5028 |
| 461 | 65,35 | 0,93 | 17,4 | 400 | 10000 | 5398 |
| 461 | 80,83 | 0,75 | 14,1 | 400 | 10000 | 5500 |
| 461 | 97,29 | 0,62 | 11,7 | 411 | 10000 | 5500 |
| 461 | 120,34 | 0,50 | 9,5 | 400 | 10000 | 5500 |
| 461 | 149,73 | 0,40 | 7,6 | 398 | 10000 | 5500 |
| 461 | 180,23 | 0,34 | 6,3 | 411 | 10000 | 5500 |
| 461 | 222,93 | 0,27 | 5,1 | 400 | 10000 | 5500 |
| 461 | 260,20 | 0,23 | 4,4 | 424 | 10000 | 5500 |
| 461 | 321,85 | 0,19 | 3,5 | 400 | 10000 | 5500 |
| 461 | 357,95 | 0,17 | 3,2 | 445 | 10000 | 5500 |
| 461 | 442,76 | 0,14 | 2,6 | 400 | 10000 | 5500 |

KXB1003

| Mn ₂ [Nm] | i | Pn ₁ [kW] | n ₂ [rpm] | Fr1 [N] | Fr2 D-S-P [N] | Fr2 C [N] |
|-------------------------|------|-------------------------|-------------------------|------------|------------------|--------------|
| 6970 | 8,89 | 102,94 | 128,2 | 6992 | 49918 | 49918 |

KXB1003

| Mn ₂ [Nm] | i | Pn ₁ [kW] | n ₂ [rpm] | Fr1 [N] | Fr2 D-S-P [N] | Fr2 C [N] |
|-------------------------|--------|-------------------------|-------------------------|------------|------------------|--------------|
| 8098 | 10,58 | 100,55 | 107,8 | 7069 | 51605 | 51605 |
| 7893 | 11,87 | 87,32 | 96,0 | 7496 | 54517 | 54517 |
| 9020 | 12,81 | 92,48 | 89,0 | 7330 | 54285 | 54285 |
| 9840 | 14,08 | 91,75 | 81,0 | 7353 | 55080 | 55080 |
| 10250 | 15,52 | 86,72 | 73,5 | 7516 | 56720 | 56720 |
| 10148 | 16,39 | 81,33 | 69,6 | 7690 | 58246 | 58246 |
| 10660 | 18,02 | 77,70 | 63,3 | 7807 | 59766 | 59766 |
| 10968 | 19,96 | 72,17 | 57,1 | 7986 | 61920 | 61920 |
| 10660 | 21,94 | 63,79 | 52,0 | 8257 | 65037 | 65000 |
| 10763 | 24,17 | 58,47 | 47,2 | 8429 | 67572 | 65000 |
| 11378 | 26,58 | 56,22 | 42,9 | 8502 | 69244 | 65000 |
| 10455 | 28,80 | 47,67 | 39,6 | 8778 | 73249 | 65000 |
| 11788 | 30,92 | 50,06 | 36,9 | 8700 | 73095 | 65000 |
| 12198 | 34,25 | 46,76 | 33,3 | 8807 | 75594 | 65000 |
| 12608 | 37,66 | 43,96 | 30,3 | 8897 | 77959 | 65000 |
| 13018 | 40,65 | 42,05 | 28,0 | 8959 | 79796 | 65000 |
| 12300 | 45,09 | 35,82 | 25,3 | 9160 | 80000 | 65000 |
| 13325 | 51,00 | 34,31 | 22,4 | 9209 | 80000 | 65000 |
| 13325 | 53,63 | 32,63 | 21,3 | 9264 | 80000 | 65000 |
| 13325 | 58,97 | 29,68 | 19,3 | 9359 | 80000 | 65000 |
| 13325 | 69,78 | 25,08 | 16,3 | 9508 | 80000 | 65000 |
| 13325 | 76,72 | 22,81 | 14,9 | 9581 | 80000 | 65000 |
| 13325 | 87,54 | 19,99 | 13,0 | 9672 | 80000 | 65000 |
| 13325 | 96,25 | 18,18 | 11,8 | 9730 | 80000 | 65000 |
| 13325 | 103,93 | 16,84 | 11,0 | 9774 | 80000 | 65000 |
| 13325 | 114,27 | 15,31 | 10,0 | 9823 | 80000 | 65000 |
| 13325 | 126,29 | 13,86 | 9,0 | 9870 | 80000 | 65000 |
| 13325 | 138,85 | 12,60 | 8,2 | 9911 | 80000 | 65000 |
| 13325 | 154,83 | 11,30 | 7,4 | 9953 | 80000 | 65000 |

KXB353

| Mn ₂ [Nm] | i | Pn ₁ [kW] | n ₂ [rpm] | Fr1 [N] | Fr2 D-S-P [N] | Fr2 C [N] |
|-------------------------|-------|-------------------------|-------------------------|------------|------------------|--------------|
| 297 | 5,71 | 6,83 | 199,5 | 292 | 7587 | 2168 |
| 349 | 6,88 | 6,65 | 165,7 | 316 | 7919 | 2263 |
| 359 | 7,32 | 6,43 | 155,7 | 344 | 8070 | 2306 |
| 472 | 9,16 | 6,76 | 124,4 | 301 | 8305 | 2373 |
| 533 | 10,26 | 6,82 | 111,1 | 294 | 8426 | 2407 |
| 554 | 11,03 | 6,59 | 103,4 | 324 | 8593 | 2455 |
| 595 | 12,35 | 6,32 | 92,3 | 359 | 8832 | 2523 |
| 605 | 13,15 | 6,04 | 86,7 | 396 | 9025 | 2579 |
| 605 | 15,18 | 5,23 | 75,1 | 502 | 9594 | 2741 |

KXB353

| Mn ₂ [Nm] | i | Pn ₁ [kW] | n ₂ [rpm] | Fr1 [N] | Fr2 D-S-P [N] | Fr2 C [N] |
|-------------------------|--------|-------------------------|-------------------------|------------|------------------|--------------|
| 615 | 17,00 | 4,75 | 67,0 | 566 | 10019 | 2863 |
| 615 | 22,39 | 3,61 | 50,9 | 716 | 11236 | 3210 |
| 615 | 26,09 | 3,10 | 43,7 | 784 | 11961 | 3417 |
| 615 | 28,03 | 2,88 | 40,7 | 812 | 12000 | 3518 |
| 615 | 33,43 | 2,42 | 34,1 | 873 | 12000 | 3776 |
| 615 | 38,58 | 2,09 | 29,6 | 915 | 12000 | 3997 |
| 615 | 43,22 | 1,87 | 26,4 | 945 | 12000 | 4181 |
| 615 | 50,81 | 1,59 | 22,4 | 982 | 12000 | 4453 |
| 615 | 56,93 | 1,42 | 20,0 | 1004 | 12000 | 4654 |
| 615 | 69,16 | 1,17 | 16,5 | 1037 | 12000 | 5015 |
| 615 | 77,48 | 1,04 | 14,7 | 1054 | 12000 | 5237 |
| 615 | 90,33 | 0,89 | 12,6 | 1073 | 12000 | 5550 |
| 615 | 101,20 | 0,80 | 11,3 | 1086 | 12000 | 5793 |
| 615 | 111,74 | 0,72 | 10,2 | 1096 | 12000 | 6012 |
| 615 | 124,20 | 0,65 | 9,2 | 1105 | 12000 | 6253 |
| 615 | 139,15 | 0,58 | 8,2 | 1115 | 12000 | 6522 |
| 615 | 157,42 | 0,51 | 7,2 | 1123 | 12000 | 6826 |

KXB403

| Mn ₂ [Nm] | i | Pn ₁ [kW] | n ₂ [rpm] | Fr1 [N] | Fr2 D-S-P [N] | Fr2 C [N] |
|-------------------------|-------|-------------------------|-------------------------|------------|------------------|--------------|
| 513 | 7,81 | 8,62 | 146,0 | 1652 | 12911 | 3689 |
| 615 | 8,62 | 9,37 | 132,2 | 1535 | 12995 | 3713 |
| 666 | 10,49 | 8,34 | 108,6 | 1696 | 13824 | 3950 |
| 769 | 11,59 | 8,71 | 98,4 | 1638 | 13958 | 3988 |
| 830 | 14,43 | 7,56 | 79,0 | 1818 | 14991 | 4283 |
| 871 | 16,60 | 6,89 | 68,7 | 1922 | 15692 | 4483 |
| 871 | 18,32 | 6,24 | 62,2 | 2023 | 16331 | 4666 |
| 871 | 22,82 | 5,01 | 50,0 | 2216 | 17821 | 5092 |
| 871 | 26,71 | 4,28 | 42,7 | 2330 | 18000 | 5417 |
| 871 | 29,50 | 3,88 | 38,6 | 2393 | 18000 | 5631 |
| 871 | 31,80 | 3,60 | 35,9 | 2437 | 18000 | 5798 |
| 871 | 34,49 | 3,32 | 33,0 | 2481 | 18000 | 5983 |
| 871 | 39,60 | 2,89 | 28,8 | 2500 | 18000 | 6308 |
| 871 | 42,95 | 2,66 | 26,5 | 2500 | 18000 | 6507 |
| 871 | 45,44 | 2,52 | 25,1 | 2500 | 18000 | 6648 |
| 871 | 51,19 | 2,24 | 22,3 | 2500 | 18000 | 6955 |
| 871 | 55,52 | 2,06 | 20,5 | 2500 | 18000 | 7172 |
| 871 | 59,96 | 1,91 | 19,0 | 2500 | 18000 | 7382 |
| 871 | 63,74 | 1,79 | 17,9 | 2500 | 18000 | 7553 |
| 871 | 69,14 | 1,65 | 16,5 | 2500 | 18000 | 7786 |
| 871 | 73,14 | 1,56 | 15,6 | 2500 | 18000 | 7950 |

KXB403

| Mn ₂ [Nm] | i | Pn ₁ [kW] | n ₂ [rpm] | Fr1 [N] | Fr2 D-S-P [N] | Fr2 C [N] |
|-------------------------|--------|-------------------------|-------------------------|------------|------------------|--------------|
| 871 | 80,76 | 1,42 | 14,1 | 2500 | 18000 | 8248 |
| 871 | 92,19 | 1,24 | 12,4 | 2500 | 18000 | 8661 |
| 871 | 100,57 | 1,14 | 11,3 | 2500 | 18000 | 8943 |
| 871 | 105,29 | 1,09 | 10,8 | 2500 | 18000 | 9095 |
| 871 | 116,25 | 0,98 | 9,8 | 2500 | 18000 | 9430 |
| 871 | 126,76 | 0,90 | 9,0 | 2500 | 18000 | 9733 |
| 871 | 144,77 | 0,79 | 7,9 | 2500 | 18000 | 10214 |

KXB503

| Mn ₂ [Nm] | i | Pn ₁ [kW] | n ₂ [rpm] | Fr1 [N] | Fr2 D-S-P [N] | Fr2 C [N] |
|-------------------------|--------|-------------------------|-------------------------|------------|------------------|--------------|
| 820 | 8,13 | 13,25 | 140,3 | 1031 | 16015 | 4576 |
| 923 | 8,97 | 13,51 | 127,1 | 992 | 16327 | 4665 |
| 1025 | 10,92 | 12,33 | 104,4 | 1167 | 17307 | 4945 |
| 1025 | 12,05 | 11,17 | 94,6 | 1337 | 17976 | 5136 |
| 1230 | 14,99 | 10,78 | 76,1 | 1394 | 18947 | 5414 |
| 1435 | 17,27 | 10,91 | 66,0 | 1375 | 19436 | 5553 |
| 1435 | 19,06 | 9,89 | 59,8 | 1525 | 20213 | 5775 |
| 1435 | 23,70 | 7,95 | 48,1 | 1810 | 22000 | 6294 |
| 1538 | 26,51 | 7,62 | 43,0 | 1860 | 22000 | 6492 |
| 1640 | 30,55 | 7,05 | 37,3 | 1943 | 22000 | 6779 |
| 1743 | 33,07 | 6,92 | 34,5 | 1962 | 22000 | 6910 |
| 1743 | 35,87 | 6,38 | 31,8 | 2042 | 22000 | 7137 |
| 1743 | 41,12 | 5,56 | 27,7 | 2162 | 22000 | 7532 |
| 1743 | 44,61 | 5,13 | 25,6 | 2226 | 22000 | 7776 |
| 1743 | 47,28 | 4,84 | 24,1 | 2268 | 22000 | 7955 |
| 1743 | 50,24 | 4,55 | 22,7 | 2310 | 22000 | 8144 |
| 1743 | 53,02 | 4,32 | 21,5 | 2345 | 22000 | 8316 |
| 1743 | 58,50 | 3,91 | 19,5 | 2405 | 22000 | 8638 |
| 1743 | 64,89 | 3,53 | 17,6 | 2462 | 22000 | 8988 |
| 1743 | 68,58 | 3,34 | 16,6 | 2490 | 22000 | 9180 |
| 1743 | 72,76 | 3,15 | 15,7 | 2518 | 22000 | 9389 |
| 1743 | 78,92 | 2,90 | 14,4 | 2554 | 22000 | 9683 |
| 1845 | 83,66 | 2,90 | 13,6 | 2554 | 22000 | 9815 |
| 1845 | 92,31 | 2,62 | 12,3 | 2594 | 22000 | 10189 |
| 1845 | 105,44 | 2,30 | 10,8 | 2642 | 22000 | 10714 |
| 1845 | 114,80 | 2,11 | 9,9 | 2670 | 22000 | 11062 |
| 1845 | 120,42 | 2,01 | 9,5 | 2685 | 22000 | 11262 |
| 1845 | 132,87 | 1,82 | 8,6 | 2712 | 22000 | 11684 |
| 1845 | 144,69 | 1,67 | 7,9 | 2734 | 22000 | 12061 |
| 1845 | 165,25 | 1,47 | 6,9 | 2765 | 22000 | 12669 |

KXB603

| Mn ₂ [Nm] | i | Pn ₁ [kW] | n ₂ [rpm] | Fr1 [N] | Fr2 D-S-P [N] | Fr2 C [N] |
|-------------------------|--------|-------------------------|-------------------------|------------|------------------|--------------|
| 1538 | 7,97 | 25,35 | 143,1 | 2525 | 18833 | 5381 |
| 1845 | 9,62 | 25,19 | 118,5 | 2534 | 19084 | 5452 |
| 2050 | 10,33 | 26,05 | 110,3 | 2484 | 18801 | 5372 |
| 2050 | 12,48 | 21,57 | 91,3 | 2745 | 20614 | 5890 |
| 2153 | 13,84 | 20,42 | 82,3 | 2812 | 21189 | 6054 |
| 2153 | 15,38 | 18,38 | 74,1 | 2931 | 22289 | 6368 |
| 2255 | 18,58 | 15,94 | 61,4 | 3073 | 23884 | 6824 |
| 2563 | 20,61 | 16,33 | 55,3 | 3050 | 23665 | 6761 |
| 2870 | 22,78 | 16,54 | 50,0 | 3037 | 23443 | 6698 |
| 2870 | 25,89 | 14,56 | 44,0 | 3153 | 25023 | 7149 |
| 2870 | 27,51 | 13,70 | 41,4 | 3203 | 25796 | 7370 |
| 2870 | 30,79 | 12,24 | 37,0 | 3288 | 27274 | 7793 |
| 2870 | 31,26 | 12,06 | 36,5 | 3299 | 27477 | 7851 |
| 2870 | 34,68 | 10,87 | 32,9 | 3368 | 28895 | 8256 |
| 2870 | 40,53 | 9,30 | 28,1 | 3459 | 30000 | 8890 |
| 3075 | 44,89 | 9,00 | 25,4 | 3477 | 30000 | 9055 |
| 3280 | 49,80 | 8,65 | 22,9 | 3497 | 30000 | 9242 |
| 3280 | 54,30 | 7,93 | 21,0 | 3539 | 30000 | 9634 |
| 3280 | 59,36 | 7,26 | 19,2 | 3578 | 30000 | 10050 |
| 3383 | 62,59 | 7,10 | 18,2 | 3588 | 30000 | 10168 |
| 3383 | 69,43 | 6,40 | 16,4 | 3628 | 30000 | 10678 |
| 3588 | 74,42 | 6,33 | 15,3 | 3632 | 30000 | 10758 |
| 3588 | 80,04 | 5,89 | 14,2 | 3658 | 30000 | 11135 |
| 3588 | 89,87 | 5,24 | 12,7 | 3696 | 30000 | 11752 |
| 3588 | 99,70 | 4,73 | 11,4 | 3726 | 30000 | 12326 |
| 3588 | 106,65 | 4,42 | 10,7 | 3744 | 30000 | 12709 |
| 3588 | 119,60 | 3,94 | 9,5 | 3772 | 30000 | 13380 |
| 3588 | 129,96 | 3,63 | 8,8 | 3790 | 30000 | 13884 |
| 3588 | 144,43 | 3,26 | 7,9 | 3811 | 30000 | 14543 |
| 3588 | 160,23 | 2,94 | 7,1 | 3830 | 30000 | 15214 |
| 3588 | 180,40 | 2,61 | 6,3 | 3849 | 30000 | 16009 |

KXB703

| Mn ₂ [Nm] | i | Pn ₁ [kW] | n ₂ [rpm] | Fr1 [N] | Fr2 D-S-P [N] | Fr2 C [N] |
|-------------------------|-------|-------------------------|-------------------------|------------|------------------|--------------|
| 3075 | 10,84 | 37,25 | 105,2 | 2257 | 17051 | 17051 |
| 3178 | 11,87 | 35,16 | 96,1 | 2355 | 17540 | 17540 |
| 3178 | 14,49 | 28,81 | 78,7 | 2653 | 19421 | 19421 |
| 3280 | 17,04 | 25,28 | 66,9 | 2818 | 20722 | 20722 |
| 3690 | 18,66 | 25,97 | 61,1 | 2785 | 20361 | 20361 |
| 4100 | 21,00 | 25,64 | 54,3 | 2801 | 20331 | 20331 |
| 4510 | 22,77 | 26,01 | 50,1 | 2784 | 19930 | 19930 |

KXB703

| Mn_2 [Nm] | i | Pn_1 [kW] | n_2 [rpm] | Fr_1 [N] | Fr_2 D-S-P [N] | Fr_2 C [N] |
|----------------|--------|----------------|----------------|---------------|---------------------|-----------------|
| 4715 | 25,63 | 24,16 | 44,5 | 2870 | 20640 | 20640 |
| 4715 | 27,44 | 22,56 | 41,5 | 2945 | 21455 | 21455 |
| 4818 | 30,05 | 21,06 | 37,9 | 3016 | 22236 | 22236 |
| 4818 | 33,01 | 19,17 | 34,5 | 3104 | 23422 | 23422 |
| 4920 | 36,67 | 17,62 | 31,1 | 3177 | 24465 | 24465 |
| 4920 | 40,29 | 16,04 | 28,3 | 3251 | 25732 | 25732 |
| 4920 | 44,16 | 14,63 | 25,8 | 3317 | 27005 | 27005 |
| 5125 | 48,35 | 13,92 | 23,6 | 3350 | 27648 | 27648 |
| 5125 | 53,16 | 12,66 | 21,4 | 3409 | 29045 | 29045 |
| 5125 | 54,63 | 12,32 | 20,9 | 3425 | 29456 | 29456 |
| 5125 | 59,02 | 11,40 | 19,3 | 3468 | 30639 | 30639 |
| 5125 | 64,88 | 10,37 | 17,6 | 3516 | 32132 | 32132 |
| 5125 | 70,43 | 9,56 | 16,2 | 3555 | 33463 | 33463 |
| 5125 | 77,12 | 8,73 | 14,8 | 3593 | 34976 | 34976 |
| 5125 | 85,54 | 7,87 | 13,3 | 3634 | 36763 | 36763 |
| 5125 | 94,13 | 7,15 | 12,1 | 3667 | 38465 | 38465 |
| 5125 | 105,83 | 6,36 | 10,8 | 3704 | 40000 | 40000 |
| 5125 | 111,94 | 6,01 | 10,2 | 3721 | 40000 | 40000 |
| 5125 | 124,62 | 5,40 | 9,2 | 3749 | 40000 | 40000 |
| 5125 | 136,44 | 4,93 | 8,4 | 3771 | 40000 | 40000 |
| 5125 | 149,59 | 4,50 | 7,6 | 3792 | 40000 | 40000 |
| 5125 | 166,53 | 4,04 | 6,8 | 3813 | 40000 | 40000 |
| 5125 | 187,24 | 3,59 | 6,1 | 3834 | 40000 | 40000 |

KXB903

| Mn_2 [Nm] | i | Pn_1 [kW] | n_2 [rpm] | Fr_1 [N] | Fr_2 D-S-P [N] | Fr_2 C [N] |
|----------------|-------|----------------|----------------|---------------|---------------------|-----------------|
| 4613 | 10,49 | 57,73 | 108,7 | 6961 | 35245 | 35245 |
| 4613 | 12,64 | 47,91 | 90,2 | 7457 | 37910 | 37910 |
| 5125 | 14,01 | 48,04 | 81,4 | 7450 | 38700 | 38700 |
| 5125 | 15,40 | 43,70 | 74,0 | 7669 | 40164 | 40164 |
| 6150 | 18,56 | 43,53 | 61,4 | 7678 | 41686 | 41686 |
| 6663 | 20,56 | 42,55 | 55,4 | 7727 | 42683 | 42683 |
| 6868 | 23,86 | 37,80 | 47,8 | 7967 | 45019 | 45019 |
| 6970 | 25,19 | 36,34 | 45,3 | 8041 | 45863 | 45863 |
| 8200 | 28,23 | 38,14 | 40,4 | 7950 | 46211 | 46211 |
| 8200 | 30,35 | 35,48 | 37,6 | 8084 | 47617 | 47617 |
| 8200 | 33,63 | 32,02 | 33,9 | 8259 | 49675 | 49675 |
| 8200 | 35,02 | 30,75 | 32,6 | 8323 | 50502 | 50502 |
| 8200 | 38,81 | 27,75 | 29,4 | 8474 | 52659 | 52659 |
| 8200 | 42,30 | 25,46 | 26,9 | 8590 | 54522 | 54522 |
| 8200 | 47,53 | 22,65 | 24,0 | 8731 | 57136 | 57136 |

KXB903

| Mn_2 [Nm] | i | Pn_1 [kW] | n_2 [rpm] | Fr_1 [N] | Fr_2 D-S-P [N] | Fr_2 C [N] |
|----------------|--------|----------------|----------------|---------------|---------------------|-----------------|
| 8200 | 50,56 | 21,30 | 22,6 | 8800 | 58561 | 58561 |
| 8200 | 54,64 | 19,71 | 20,9 | 8880 | 60391 | 60391 |
| 8200 | 57,27 | 18,80 | 19,9 | 8926 | 61524 | 61524 |
| 8200 | 60,92 | 17,68 | 18,7 | 8983 | 63040 | 63040 |
| 8200 | 63,47 | 16,97 | 18,0 | 9019 | 64061 | 64061 |
| 8200 | 71,15 | 15,14 | 16,0 | 9111 | 65000 | 65000 |
| 8200 | 77,22 | 13,94 | 14,8 | 9171 | 65000 | 65000 |
| 8200 | 83,89 | 12,84 | 13,6 | 9227 | 65000 | 65000 |
| 8200 | 87,65 | 12,29 | 13,0 | 9255 | 65000 | 65000 |
| 8200 | 93,05 | 11,57 | 12,2 | 9291 | 65000 | 65000 |
| 8200 | 103,12 | 10,44 | 11,1 | 9348 | 65000 | 65000 |
| 8200 | 123,88 | 8,69 | 9,2 | 9436 | 65000 | 65000 |
| 8200 | 134,27 | 8,02 | 8,5 | 9470 | 65000 | 65000 |
| 8200 | 149,26 | 7,21 | 7,6 | 9511 | 65000 | 65000 |
| 8200 | 165,42 | 6,51 | 6,9 | 9546 | 65000 | 65000 |

KXA202

| Mn_2 [Nm] | i | Pn_1 [kW] | n_2 [rpm] | Fr_1 [N] | Fr_2 D-S-P [N] | Fr_2 C [N] |
|----------------|-------|----------------|----------------|---------------|---------------------|-----------------|
| 95 | 7,62 | 1,22 | 118,2 | 373 | - | 2102 |
| 95 | 10,62 | 0,87 | 84,7 | 355 | - | 2349 |
| 95 | 12,95 | 0,72 | 69,5 | 406 | - | 2509 |
| 95 | 14,46 | 0,64 | 62,2 | 443 | - | 2603 |
| 126 | 16,47 | 0,75 | 54,6 | 579 | - | 2718 |
| 126 | 22,97 | 0,54 | 39,2 | 355 | - | 3037 |
| 126 | 28,00 | 0,44 | 32,1 | 406 | - | 3244 |
| 126 | 31,27 | 0,40 | 28,8 | 443 | - | 3366 |
| 126 | 33,78 | 0,37 | 26,6 | 458 | - | 3454 |
| 126 | 47,12 | 0,26 | 19,1 | 355 | - | 3859 |
| 126 | 57,43 | 0,22 | 15,7 | 406 | - | 4000 |
| 116 | 64,13 | 0,18 | 14,0 | 406 | - | 4000 |
| 116 | 78,17 | 0,15 | 11,5 | 406 | - | 4000 |

KXA252

| Mn_2 [Nm] | i | Pn_1 [kW] | n_2 [rpm] | Fr_1 [N] | Fr_2 D-S-P [N] | Fr_2 C [N] |
|----------------|-------|----------------|----------------|---------------|---------------------|-----------------|
| 168 | 7,91 | 2,09 | 113,8 | 373 | - | 2281 |
| 168 | 9,46 | 1,74 | 95,1 | 414 | - | 2421 |
| 168 | 11,57 | 1,43 | 77,8 | 405 | - | 2589 |
| 168 | 14,63 | 1,13 | 61,5 | 392 | - | 2799 |
| 210 | 17,11 | 1,21 | 52,6 | 529 | - | 2950 |
| 210 | 20,46 | 1,01 | 44,0 | 414 | - | 3131 |
| 210 | 25,03 | 0,82 | 36,0 | 405 | - | 3349 |
| 210 | 31,63 | 0,65 | 28,4 | 392 | - | 3620 |
| 210 | 35,10 | 0,59 | 25,6 | 446 | - | 3748 |
| 210 | 41,97 | 0,49 | 21,4 | 414 | - | 3978 |
| 231 | 51,34 | 0,44 | 17,5 | 445 | - | 4000 |
| 210 | 64,87 | 0,32 | 13,9 | 356 | - | 4000 |
| 210 | 79,07 | 0,26 | 11,4 | 406 | - | 4000 |

KXA253

| Mn_2 [Nm] | i | Pn_1 [kW] | n_2 [rpm] | Fr_1 [N] | Fr_2 D-S-P [N] | Fr_2 C [N] |
|----------------|--------|----------------|----------------|---------------|---------------------|-----------------|
| 231 | 73,70 | 0,32 | 12,2 | 472 | - | 4000 |
| 231 | 93,33 | 0,26 | 9,6 | 472 | - | 4000 |
| 231 | 111,61 | 0,21 | 8,1 | 472 | - | 4000 |
| 231 | 136,53 | 0,18 | 6,6 | 472 | - | 4000 |
| 231 | 172,53 | 0,14 | 5,2 | 472 | - | 4000 |
| 231 | 197,11 | 0,12 | 4,6 | 472 | - | 4000 |
| 231 | 249,08 | 0,10 | 3,6 | 472 | - | 4000 |

KXA253

| Mn_2 [Nm] | i | Pn_1 [kW] | n_2 [rpm] | Fr_1 [N] | Fr_2 D-S-P [N] | Fr_2 C [N] |
|----------------|--------|----------------|----------------|---------------|---------------------|-----------------|
| 231 | 271,16 | 0,09 | 3,3 | 472 | - | 4000 |
| 231 | 342,65 | 0,07 | 2,6 | 472 | - | 4000 |

KXA352

| Mn_2 [Nm] | i | Pn_1 [kW] | n_2 [rpm] | Fr_1 [N] | Fr_2 D-S-P [N] | Fr_2 C [N] |
|----------------|-------|----------------|----------------|---------------|---------------------|-----------------|
| 368 | 8,36 | 4,32 | 107,7 | 664 | 5885 | 2942 |
| 368 | 10,06 | 3,59 | 89,5 | 685 | 6260 | 3130 |
| 368 | 12,44 | 2,90 | 72,3 | 667 | 6720 | 3360 |
| 441 | 14,91 | 2,91 | 60,4 | 826 | 7137 | 3568 |
| 441 | 17,94 | 2,41 | 50,2 | 685 | 7592 | 3796 |
| 441 | 22,19 | 1,95 | 40,5 | 667 | 8150 | 4075 |
| 441 | 27,45 | 1,58 | 32,8 | 667 | 8748 | 4374 |
| 441 | 33,04 | 1,31 | 27,2 | 685 | 9306 | 4653 |
| 420 | 40,87 | 1,01 | 22,0 | 635 | 9989 | 4995 |
| 368 | 45,64 | 0,79 | 19,7 | 646 | 10000 | 5182 |
| 368 | 54,94 | 0,66 | 16,4 | 685 | 10000 | 5500 |
| 368 | 67,96 | 0,53 | 13,2 | 667 | 10000 | 5500 |

KXA353

| Mn_2 [Nm] | i | Pn_1 [kW] | n_2 [rpm] | Fr_1 [N] | Fr_2 D-S-P [N] | Fr_2 C [N] |
|----------------|--------|----------------|----------------|---------------|---------------------|-----------------|
| 473 | 43,89 | 1,12 | 20,5 | 330 | 10000 | 5115 |
| 473 | 52,83 | 0,93 | 17,0 | 411 | 10000 | 5441 |
| 473 | 65,35 | 0,75 | 13,8 | 400 | 10000 | 5500 |
| 473 | 80,83 | 0,61 | 11,1 | 400 | 10000 | 5500 |
| 473 | 97,29 | 0,50 | 9,2 | 411 | 10000 | 5500 |
| 473 | 120,34 | 0,41 | 7,5 | 400 | 10000 | 5500 |
| 473 | 149,73 | 0,33 | 6,0 | 398 | 10000 | 5500 |
| 473 | 180,23 | 0,27 | 5,0 | 411 | 10000 | 5500 |
| 473 | 222,93 | 0,22 | 4,0 | 400 | 10000 | 5500 |
| 473 | 260,20 | 0,19 | 3,5 | 424 | 10000 | 5500 |
| 473 | 321,85 | 0,15 | 2,8 | 400 | 10000 | 5500 |
| 473 | 357,95 | 0,14 | 2,5 | 445 | 10000 | 5500 |
| 473 | 442,76 | 0,11 | 2,0 | 400 | 10000 | 5500 |

KXB1003

| Mn_2 [Nm] | i | Pn_1 [kW] | n_2 [rpm] | Fr_1 [N] | Fr_2 D-S-P [N] | Fr_2 C [N] |
|----------------|------|----------------|----------------|---------------|---------------------|-----------------|
| 7140 | 8,89 | 83,25 | 101,2 | 6911 | 54659 | 54659 |

KXB1003

| Mn₂ [Nm] | i | Pn₁ [kW] | n₂ [rpm] | Fr1 [N] | Fr2 D-S-P [N] | Fr2 C [N] |
|--------------------------------------|----------|--------------------------------------|--------------------------------------|--------------------------|--------------------------------|----------------------------|
| 8295 | 10,58 | 81,32 | 85,1 | 6990 | 56595 | 56595 |
| 8085 | 11,87 | 70,62 | 75,8 | 7428 | 59722 | 59722 |
| 9240 | 12,81 | 74,79 | 70,3 | 7257 | 59584 | 59584 |
| 10080 | 14,08 | 74,20 | 63,9 | 7281 | 60524 | 60524 |
| 10500 | 15,52 | 70,13 | 58,0 | 7448 | 62338 | 62338 |
| 10395 | 16,39 | 65,77 | 54,9 | 7626 | 63977 | 63977 |
| 10920 | 18,02 | 62,84 | 50,0 | 7746 | 65672 | 65000 |
| 11235 | 19,96 | 58,37 | 45,1 | 7929 | 68031 | 65000 |
| 10920 | 21,94 | 51,59 | 41,0 | 8206 | 71371 | 65000 |
| 11025 | 24,17 | 47,29 | 37,2 | 8383 | 74121 | 65000 |
| 11655 | 26,58 | 45,46 | 33,9 | 8457 | 75990 | 65000 |
| 10710 | 28,80 | 38,55 | 31,2 | 8740 | 80000 | 65000 |
| 12075 | 30,92 | 40,48 | 29,1 | 8661 | 80000 | 65000 |
| 12495 | 34,25 | 37,82 | 26,3 | 8770 | 80000 | 65000 |
| 12915 | 37,66 | 35,55 | 23,9 | 8863 | 80000 | 65000 |
| 13335 | 40,65 | 34,01 | 22,1 | 8926 | 80000 | 65000 |
| 12600 | 45,09 | 28,97 | 20,0 | 9132 | 80000 | 65000 |
| 13650 | 51,00 | 27,75 | 17,6 | 9182 | 80000 | 65000 |
| 13650 | 53,63 | 26,39 | 16,8 | 9238 | 80000 | 65000 |
| 13650 | 58,97 | 24,00 | 15,3 | 9336 | 80000 | 65000 |
| 13650 | 69,78 | 20,28 | 12,9 | 9488 | 80000 | 65000 |
| 13650 | 76,72 | 18,45 | 11,7 | 9563 | 80000 | 65000 |
| 13650 | 87,54 | 16,17 | 10,3 | 9656 | 80000 | 65000 |
| 13650 | 96,25 | 14,70 | 9,3 | 9716 | 80000 | 65000 |
| 13650 | 103,93 | 13,62 | 8,7 | 9761 | 80000 | 65000 |
| 13650 | 114,27 | 12,38 | 7,9 | 9811 | 80000 | 65000 |
| 13650 | 126,29 | 11,21 | 7,1 | 9859 | 80000 | 65000 |
| 13650 | 138,85 | 10,19 | 6,5 | 9901 | 80000 | 65000 |
| 13650 | 154,83 | 9,14 | 5,8 | 9944 | 80000 | 65000 |

KXB353

| Mn₂ [Nm] | i | Pn₁ [kW] | n₂ [rpm] | Fr1 [N] | Fr2 D-S-P [N] | Fr2 C [N] |
|--------------------------------------|----------|--------------------------------------|--------------------------------------|--------------------------|--------------------------------|----------------------------|
| 305 | 5,71 | 5,52 | 157,5 | 270 | 8278 | 2365 |
| 357 | 6,88 | 5,38 | 130,8 | 294 | 8651 | 2472 |
| 368 | 7,32 | 5,20 | 122,9 | 324 | 8817 | 2519 |
| 483 | 9,16 | 5,47 | 98,2 | 280 | 9099 | 2600 |
| 546 | 10,26 | 5,52 | 87,7 | 272 | 9246 | 2642 |
| 567 | 11,03 | 5,33 | 81,6 | 302 | 9432 | 2695 |
| 609 | 12,35 | 5,11 | 72,8 | 339 | 9701 | 2772 |
| 620 | 13,15 | 4,88 | 68,4 | 377 | 9913 | 2832 |
| 620 | 15,18 | 4,23 | 59,3 | 485 | 10527 | 3008 |

KXB353

| Mn_2 [Nm] | i | Pn_1 [kW] | n_2 [rpm] | Fr_1 [N] | Fr_2 D-S-P [N] | Fr_2 C [N] |
|----------------|--------|----------------|----------------|---------------|---------------------|-----------------|
| 630 | 17,00 | 3,84 | 52,9 | 551 | 10989 | 3140 |
| 630 | 22,39 | 2,92 | 40,2 | 705 | 12000 | 3516 |
| 630 | 26,09 | 2,50 | 34,5 | 774 | 12000 | 3740 |
| 630 | 28,03 | 2,33 | 32,1 | 803 | 12000 | 3849 |
| 630 | 33,43 | 1,95 | 26,9 | 865 | 12000 | 4128 |
| 630 | 38,58 | 1,69 | 23,3 | 909 | 12000 | 4367 |
| 630 | 43,22 | 1,51 | 20,8 | 939 | 12000 | 4565 |
| 630 | 50,81 | 1,29 | 17,7 | 977 | 12000 | 4860 |
| 630 | 56,93 | 1,15 | 15,8 | 1000 | 12000 | 5076 |
| 630 | 69,16 | 0,94 | 13,0 | 1034 | 12000 | 5467 |
| 630 | 77,48 | 0,84 | 11,6 | 1050 | 12000 | 5707 |
| 630 | 90,33 | 0,72 | 10,0 | 1070 | 12000 | 6045 |
| 630 | 101,20 | 0,65 | 8,9 | 1083 | 12000 | 6308 |
| 630 | 111,74 | 0,58 | 8,1 | 1094 | 12000 | 6544 |
| 630 | 124,20 | 0,53 | 7,2 | 1103 | 12000 | 6805 |
| 630 | 139,15 | 0,47 | 6,5 | 1113 | 12000 | 7097 |
| 630 | 157,42 | 0,41 | 5,7 | 1122 | 12000 | 7425 |

KXB403

| Mn_2 [Nm] | i | Pn_1 [kW] | n_2 [rpm] | Fr_1 [N] | Fr_2 D-S-P [N] | Fr_2 C [N] |
|----------------|-------|----------------|----------------|---------------|---------------------|-----------------|
| 525 | 7,81 | 6,97 | 115,2 | 1619 | 14076 | 4022 |
| 630 | 8,62 | 7,57 | 104,4 | 1500 | 14190 | 4054 |
| 683 | 10,49 | 6,74 | 85,8 | 1664 | 15098 | 4314 |
| 788 | 11,59 | 7,05 | 77,7 | 1604 | 15267 | 4362 |
| 851 | 14,43 | 6,11 | 62,4 | 1789 | 16398 | 4685 |
| 893 | 16,60 | 5,58 | 54,2 | 1895 | 17165 | 4904 |
| 893 | 18,32 | 5,05 | 49,1 | 2000 | 17855 | 5102 |
| 893 | 22,82 | 4,06 | 39,4 | 2197 | 18000 | 5562 |
| 893 | 26,71 | 3,46 | 33,7 | 2314 | 18000 | 5914 |
| 893 | 29,50 | 3,14 | 30,5 | 2378 | 18000 | 6145 |
| 893 | 31,80 | 2,91 | 28,3 | 2423 | 18000 | 6325 |
| 893 | 34,49 | 2,68 | 26,1 | 2468 | 18000 | 6525 |
| 893 | 39,60 | 2,34 | 22,7 | 2500 | 18000 | 6877 |
| 893 | 42,95 | 2,15 | 20,9 | 2500 | 18000 | 7092 |
| 893 | 45,44 | 2,04 | 19,8 | 2500 | 18000 | 7245 |
| 893 | 51,19 | 1,81 | 17,6 | 2500 | 18000 | 7577 |
| 893 | 55,52 | 1,67 | 16,2 | 2500 | 18000 | 7811 |
| 893 | 59,96 | 1,54 | 15,0 | 2500 | 18000 | 8038 |
| 893 | 63,74 | 1,45 | 14,1 | 2500 | 18000 | 8223 |
| 893 | 69,14 | 1,34 | 13,0 | 2500 | 18000 | 8475 |
| 893 | 73,14 | 1,27 | 12,3 | 2500 | 18000 | 8653 |

KXB403

| Mn ₂ [Nm] | i | Pn ₁ [kW] | n ₂ [rpm] | Fr1 [N] | Fr2 D-S-P [N] | Fr2 C [N] |
|-------------------------|--------|-------------------------|-------------------------|------------|------------------|--------------|
| 893 | 80,76 | 1,15 | 11,1 | 2500 | 18000 | 8975 |
| 893 | 92,19 | 1,00 | 9,8 | 2500 | 18000 | 9421 |
| 893 | 100,57 | 0,92 | 8,9 | 2500 | 18000 | 9726 |
| 893 | 105,29 | 0,88 | 8,6 | 2500 | 18000 | 9890 |
| 893 | 116,25 | 0,80 | 7,7 | 2500 | 18000 | 10253 |
| 893 | 126,76 | 0,73 | 7,1 | 2500 | 18000 | 10580 |
| 893 | 144,77 | 0,64 | 6,2 | 2500 | 18000 | 11100 |

KXB503

| Mn ₂ [Nm] | i | Pn ₁ [kW] | n ₂ [rpm] | Fr1 [N] | Fr2 D-S-P [N] | Fr2 C [N] |
|-------------------------|--------|-------------------------|-------------------------|------------|------------------|--------------|
| 840 | 8,13 | 10,72 | 110,7 | 983 | 17448 | 4985 |
| 945 | 8,97 | 10,93 | 100,4 | 944 | 17802 | 5086 |
| 1050 | 10,92 | 9,97 | 82,4 | 1122 | 18879 | 5394 |
| 1050 | 12,05 | 9,03 | 74,7 | 1296 | 19601 | 5600 |
| 1260 | 14,99 | 8,72 | 60,1 | 1356 | 20685 | 5910 |
| 1470 | 17,27 | 8,82 | 52,1 | 1336 | 21247 | 6070 |
| 1470 | 19,06 | 8,00 | 47,2 | 1490 | 22000 | 6311 |
| 1470 | 23,70 | 6,43 | 38,0 | 1782 | 22000 | 6872 |
| 1575 | 26,51 | 6,16 | 34,0 | 1833 | 22000 | 7090 |
| 1680 | 30,55 | 5,70 | 29,5 | 1918 | 22000 | 7406 |
| 1785 | 33,07 | 5,60 | 27,2 | 1937 | 22000 | 7552 |
| 1785 | 35,87 | 5,16 | 25,1 | 2019 | 22000 | 7797 |
| 1785 | 41,12 | 4,50 | 21,9 | 2142 | 22000 | 8224 |
| 1785 | 44,61 | 4,15 | 20,2 | 2207 | 22000 | 8488 |
| 1785 | 47,28 | 3,91 | 19,0 | 2251 | 22000 | 8681 |
| 1785 | 50,24 | 3,68 | 17,9 | 2294 | 22000 | 8886 |
| 1785 | 53,02 | 3,49 | 17,0 | 2330 | 22000 | 9072 |
| 1785 | 58,50 | 3,16 | 15,4 | 2391 | 22000 | 9420 |
| 1785 | 64,89 | 2,85 | 13,9 | 2449 | 22000 | 9798 |
| 1785 | 68,58 | 2,70 | 13,1 | 2478 | 22000 | 10006 |
| 1785 | 72,76 | 2,54 | 12,4 | 2506 | 22000 | 10232 |
| 1785 | 78,92 | 2,34 | 11,4 | 2544 | 22000 | 10550 |
| 1890 | 83,66 | 2,34 | 10,8 | 2544 | 22000 | 10697 |
| 1890 | 92,31 | 2,12 | 9,8 | 2585 | 22000 | 11102 |
| 1890 | 105,44 | 1,86 | 8,5 | 2634 | 22000 | 11670 |
| 1890 | 114,80 | 1,71 | 7,8 | 2662 | 22000 | 12046 |
| 1890 | 120,42 | 1,63 | 7,5 | 2677 | 22000 | 12262 |
| 1890 | 132,87 | 1,47 | 6,8 | 2706 | 22000 | 12718 |
| 1890 | 144,69 | 1,35 | 6,2 | 2728 | 22000 | 13125 |
| 1890 | 165,25 | 1,19 | 5,5 | 2760 | 22000 | 13783 |

KXB603

| Mn ₂ [Nm] | i | Pn ₁ [kW] | n ₂ [rpm] | Fr1 [N] | Fr2 D-S-P [N] | Fr2 C [N] |
|-------------------------|--------|-------------------------|-------------------------|------------|------------------|--------------|
| 1575 | 7,97 | 20,50 | 113,0 | 2489 | 20762 | 5932 |
| 1890 | 9,62 | 20,37 | 93,6 | 2498 | 21113 | 6032 |
| 2100 | 10,33 | 21,07 | 87,1 | 2447 | 20861 | 5960 |
| 2100 | 12,48 | 17,45 | 72,1 | 2714 | 22821 | 6520 |
| 2205 | 13,84 | 16,51 | 65,0 | 2783 | 23470 | 6706 |
| 2205 | 15,38 | 14,86 | 58,5 | 2905 | 24658 | 7045 |
| 2310 | 18,58 | 12,89 | 48,5 | 3050 | 26410 | 7546 |
| 2625 | 20,61 | 13,21 | 43,7 | 3027 | 26253 | 7501 |
| 2940 | 22,78 | 13,38 | 39,5 | 3014 | 26094 | 7455 |
| 2940 | 25,89 | 11,77 | 34,8 | 3132 | 27801 | 7943 |
| 2940 | 27,51 | 11,08 | 32,7 | 3184 | 28638 | 8182 |
| 2940 | 30,79 | 9,90 | 29,2 | 3271 | 30000 | 8639 |
| 2940 | 31,26 | 9,75 | 28,8 | 3282 | 30000 | 8701 |
| 2940 | 34,68 | 8,79 | 25,9 | 3353 | 30000 | 9139 |
| 2940 | 40,53 | 7,52 | 22,2 | 3446 | 30000 | 9825 |
| 3150 | 44,89 | 7,27 | 20,1 | 3464 | 30000 | 10019 |
| 3360 | 49,80 | 6,99 | 18,1 | 3485 | 30000 | 10236 |
| 3360 | 54,30 | 6,42 | 16,6 | 3528 | 30000 | 10660 |
| 3360 | 59,36 | 5,87 | 15,2 | 3568 | 30000 | 11110 |
| 3465 | 62,59 | 5,74 | 14,4 | 3578 | 30000 | 11246 |
| 3465 | 69,43 | 5,17 | 13,0 | 3619 | 30000 | 11796 |
| 3675 | 74,42 | 5,12 | 12,1 | 3623 | 30000 | 11899 |
| 3675 | 80,04 | 4,76 | 11,2 | 3650 | 30000 | 12306 |
| 3675 | 89,87 | 4,24 | 10,0 | 3688 | 30000 | 12973 |
| 3675 | 99,70 | 3,82 | 9,0 | 3719 | 30000 | 13593 |
| 3675 | 106,65 | 3,57 | 8,4 | 3738 | 30000 | 14008 |
| 3675 | 119,60 | 3,19 | 7,5 | 3766 | 30000 | 14733 |
| 3675 | 129,96 | 2,93 | 6,9 | 3785 | 30000 | 15277 |
| 3675 | 144,43 | 2,64 | 6,2 | 3807 | 30000 | 15990 |
| 3675 | 160,23 | 2,38 | 5,6 | 3826 | 30000 | 16715 |
| 3675 | 180,40 | 2,11 | 5,0 | 3845 | 30000 | 17575 |

KXB703

| Mn ₂ [Nm] | i | Pn ₁ [kW] | n ₂ [rpm] | Fr1 [N] | Fr2 D-S-P [N] | Fr2 C [N] |
|-------------------------|-------|-------------------------|-------------------------|------------|------------------|--------------|
| 3150 | 10,84 | 30,13 | 83,0 | 2214 | 18991 | 18991 |
| 3255 | 11,87 | 28,44 | 75,8 | 2315 | 19538 | 19538 |
| 3255 | 14,49 | 23,30 | 62,1 | 2620 | 21572 | 21572 |
| 3360 | 17,04 | 20,44 | 52,8 | 2789 | 22997 | 22997 |
| 3780 | 18,66 | 21,00 | 48,2 | 2756 | 22681 | 22681 |
| 4200 | 21,00 | 20,74 | 42,9 | 2771 | 22722 | 22722 |
| 4620 | 22,77 | 21,03 | 39,5 | 2754 | 22363 | 22363 |

KXB703

| Mn_2 [Nm] | i | Pn_1 [kW] | n_2 [rpm] | Fr_1 [N] | Fr_2 D-S-P [N] | Fr_2 C [N] |
|----------------|--------|----------------|----------------|---------------|---------------------|-----------------|
| 4830 | 25,63 | 19,54 | 35,1 | 2843 | 23168 | 23168 |
| 4830 | 27,44 | 18,25 | 32,8 | 2919 | 24049 | 24049 |
| 4935 | 30,05 | 17,03 | 29,9 | 2992 | 24912 | 24912 |
| 4935 | 33,01 | 15,50 | 27,3 | 3082 | 26194 | 26194 |
| 5040 | 36,67 | 14,25 | 24,5 | 3157 | 27341 | 27341 |
| 5040 | 40,29 | 12,97 | 22,3 | 3233 | 28710 | 28710 |
| 5040 | 44,16 | 11,83 | 20,4 | 3300 | 30087 | 30087 |
| 5250 | 48,35 | 11,26 | 18,6 | 3334 | 30819 | 30819 |
| 5250 | 53,16 | 10,24 | 16,9 | 3395 | 32330 | 32330 |
| 5250 | 54,63 | 9,96 | 16,5 | 3411 | 32773 | 32773 |
| 5250 | 59,02 | 9,22 | 15,2 | 3455 | 34052 | 34052 |
| 5250 | 64,88 | 8,39 | 13,9 | 3504 | 35666 | 35666 |
| 5250 | 70,43 | 7,73 | 12,8 | 3544 | 37106 | 37106 |
| 5250 | 77,12 | 7,06 | 11,7 | 3583 | 38741 | 38741 |
| 5250 | 85,54 | 6,36 | 10,5 | 3625 | 40000 | 40000 |
| 5250 | 94,13 | 5,78 | 9,6 | 3659 | 40000 | 40000 |
| 5250 | 105,83 | 5,14 | 8,5 | 3697 | 40000 | 40000 |
| 5250 | 111,94 | 4,86 | 8,0 | 3714 | 40000 | 40000 |
| 5250 | 124,62 | 4,37 | 7,2 | 3743 | 40000 | 40000 |
| 5250 | 136,44 | 3,99 | 6,6 | 3766 | 40000 | 40000 |
| 5250 | 149,59 | 3,64 | 6,0 | 3786 | 40000 | 40000 |
| 5250 | 166,53 | 3,27 | 5,4 | 3808 | 40000 | 40000 |
| 5250 | 187,24 | 2,91 | 4,8 | 3830 | 40000 | 40000 |

KXB903

| Mn_2 [Nm] | i | Pn_1 [kW] | n_2 [rpm] | Fr_1 [N] | Fr_2 D-S-P [N] | Fr_2 C [N] |
|----------------|-------|----------------|----------------|---------------|---------------------|-----------------|
| 4725 | 10,49 | 46,69 | 85,8 | 6890 | 38488 | 38488 |
| 4725 | 12,64 | 38,75 | 71,2 | 7398 | 41370 | 41370 |
| 5250 | 14,01 | 38,85 | 64,2 | 7391 | 42266 | 42266 |
| 5250 | 15,40 | 35,34 | 58,4 | 7615 | 43850 | 43850 |
| 6300 | 18,56 | 35,20 | 48,5 | 7624 | 45580 | 45580 |
| 6825 | 20,56 | 34,41 | 43,8 | 7675 | 46701 | 46701 |
| 7035 | 23,86 | 30,57 | 37,7 | 7920 | 49243 | 49243 |
| 7140 | 25,19 | 29,39 | 35,7 | 7996 | 50164 | 50164 |
| 8400 | 28,23 | 30,85 | 31,9 | 7903 | 50642 | 50642 |
| 8400 | 30,35 | 28,70 | 29,7 | 8040 | 52163 | 52163 |
| 8400 | 33,63 | 25,89 | 26,8 | 8219 | 54387 | 54387 |
| 8400 | 35,02 | 24,87 | 25,7 | 8285 | 55282 | 55282 |
| 8400 | 38,81 | 22,44 | 23,2 | 8440 | 57613 | 57613 |
| 8400 | 42,30 | 20,59 | 21,3 | 8559 | 59628 | 59628 |
| 8400 | 47,53 | 18,32 | 18,9 | 8704 | 62454 | 62454 |

KXB903

| Mn_2 [Nm] | i | Pn_1 [kW] | n_2 [rpm] | Fr_1 [N] | Fr_2 D-S-P [N] | Fr_2 C [N] |
|----------------|--------|----------------|----------------|---------------|---------------------|-----------------|
| 8400 | 50,56 | 17,22 | 17,8 | 8774 | 63995 | 63995 |
| 8400 | 54,64 | 15,94 | 16,5 | 8856 | 65000 | 65000 |
| 8400 | 57,27 | 15,21 | 15,7 | 8903 | 65000 | 65000 |
| 8400 | 60,92 | 14,29 | 14,8 | 8961 | 65000 | 65000 |
| 8400 | 63,47 | 13,72 | 14,2 | 8998 | 65000 | 65000 |
| 8400 | 71,15 | 12,24 | 12,7 | 9092 | 65000 | 65000 |
| 8400 | 77,22 | 11,28 | 11,7 | 9154 | 65000 | 65000 |
| 8400 | 83,89 | 10,38 | 10,7 | 9211 | 65000 | 65000 |
| 8400 | 87,65 | 9,94 | 10,3 | 9240 | 65000 | 65000 |
| 8400 | 93,05 | 9,36 | 9,7 | 9277 | 65000 | 65000 |
| 8400 | 103,12 | 8,45 | 8,7 | 9335 | 65000 | 65000 |
| 8400 | 123,88 | 7,03 | 7,3 | 9425 | 65000 | 65000 |
| 8400 | 134,27 | 6,49 | 6,7 | 9460 | 65000 | 65000 |
| 8400 | 149,26 | 5,83 | 6,0 | 9502 | 65000 | 65000 |
| 8400 | 165,42 | 5,26 | 5,4 | 9538 | 65000 | 65000 |

KXA202

| Mn_2 [Nm] | i | Pn_1 [kW] | n_2 [rpm] | Fr_1 [N] | Fr_2 D-S-P [N] | Fr_2 C [N] |
|----------------|-------|----------------|----------------|---------------|---------------------|-----------------|
| 96 | 7,62 | 0,95 | 91,9 | 373 | - | 2286 |
| 96 | 10,62 | 0,68 | 65,9 | 355 | - | 2554 |
| 96 | 12,95 | 0,56 | 54,1 | 406 | - | 2728 |
| 96 | 14,46 | 0,50 | 48,4 | 443 | - | 2830 |
| 128 | 16,47 | 0,59 | 42,5 | 579 | - | 2956 |
| 128 | 22,97 | 0,42 | 30,5 | 355 | - | 3303 |
| 128 | 28,00 | 0,35 | 25,0 | 406 | - | 3528 |
| 128 | 31,27 | 0,31 | 22,4 | 443 | - | 3660 |
| 128 | 33,78 | 0,29 | 20,7 | 458 | - | 3756 |
| 128 | 47,12 | 0,21 | 14,9 | 355 | - | 4000 |
| 128 | 57,43 | 0,17 | 12,2 | 406 | - | 4000 |
| 117 | 64,13 | 0,14 | 10,9 | 406 | - | 4000 |
| 117 | 78,17 | 0,11 | 9,0 | 406 | - | 4000 |

KXA252

| Mn_2 [Nm] | i | Pn_1 [kW] | n_2 [rpm] | Fr_1 [N] | Fr_2 D-S-P [N] | Fr_2 C [N] |
|----------------|-------|----------------|----------------|---------------|---------------------|-----------------|
| 170 | 7,91 | 1,63 | 88,5 | 373 | - | 2480 |
| 170 | 9,46 | 1,37 | 74,0 | 414 | - | 2633 |
| 170 | 11,57 | 1,12 | 60,5 | 405 | - | 2816 |
| 170 | 14,63 | 0,88 | 47,9 | 392 | - | 3044 |
| 213 | 17,11 | 0,94 | 40,9 | 529 | - | 3208 |
| 213 | 20,46 | 0,79 | 34,2 | 414 | - | 3405 |
| 213 | 25,03 | 0,65 | 28,0 | 405 | - | 3641 |
| 213 | 31,63 | 0,51 | 22,1 | 392 | - | 3936 |
| 213 | 35,10 | 0,46 | 19,9 | 446 | - | 4000 |
| 213 | 41,97 | 0,38 | 16,7 | 414 | - | 4000 |
| 234 | 51,34 | 0,35 | 13,6 | 445 | - | 4000 |
| 213 | 64,87 | 0,25 | 10,8 | 356 | - | 4000 |
| 213 | 79,07 | 0,20 | 8,8 | 406 | - | 4000 |

KXA253

| Mn_2 [Nm] | i | Pn_1 [kW] | n_2 [rpm] | Fr_1 [N] | Fr_2 D-S-P [N] | Fr_2 C [N] |
|----------------|--------|----------------|----------------|---------------|---------------------|-----------------|
| 234 | 73,70 | 0,25 | 9,5 | 472 | - | 4000 |
| 234 | 93,33 | 0,20 | 7,5 | 472 | - | 4000 |
| 234 | 111,61 | 0,17 | 6,3 | 472 | - | 4000 |
| 234 | 136,53 | 0,14 | 5,1 | 472 | - | 4000 |
| 234 | 172,53 | 0,11 | 4,1 | 472 | - | 4000 |
| 234 | 197,11 | 0,10 | 3,5 | 472 | - | 4000 |
| 234 | 249,08 | 0,08 | 2,8 | 472 | - | 4000 |

KXA253

| Mn ₂ [Nm] | i | Pn ₁ [kW] | n ₂ [rpm] | Fr1 [N] | Fr2 D-S-P [N] | Fr2 C [N] |
|-------------------------|--------|-------------------------|-------------------------|------------|------------------|--------------|
| 234 | 271,16 | 0,07 | 2,6 | 472 | - | 4000 |
| 234 | 342,65 | 0,05 | 2,0 | 472 | - | 4000 |

KXA352

| Mn ₂ [Nm] | i | Pn ₁ [kW] | n ₂ [rpm] | Fr1 [N] | Fr2 D-S-P [N] | Fr2 C [N] |
|-------------------------|-------|-------------------------|-------------------------|------------|------------------|--------------|
| 372 | 8,36 | 3,38 | 83,8 | 664 | 6399 | 3200 |
| 372 | 10,06 | 2,81 | 69,6 | 685 | 6807 | 3404 |
| 372 | 12,44 | 2,27 | 56,3 | 667 | 7307 | 3654 |
| 446 | 14,91 | 2,28 | 47,0 | 826 | 7761 | 3880 |
| 446 | 17,94 | 1,89 | 39,0 | 685 | 8255 | 4128 |
| 446 | 22,19 | 1,53 | 31,5 | 667 | 8862 | 4431 |
| 446 | 27,45 | 1,24 | 25,5 | 667 | 9512 | 4756 |
| 446 | 33,04 | 1,03 | 21,2 | 685 | 10000 | 5059 |
| 425 | 40,87 | 0,79 | 17,1 | 635 | 10000 | 5431 |
| 372 | 45,64 | 0,62 | 15,3 | 646 | 10000 | 5500 |
| 372 | 54,94 | 0,51 | 12,7 | 685 | 10000 | 5500 |
| 372 | 67,96 | 0,42 | 10,3 | 667 | 10000 | 5500 |

KXA353

| Mn ₂ [Nm] | i | Pn ₁ [kW] | n ₂ [rpm] | Fr1 [N] | Fr2 D-S-P [N] | Fr2 C [N] |
|-------------------------|--------|-------------------------|-------------------------|------------|------------------|--------------|
| 478 | 43,89 | 0,87 | 15,9 | 330 | 10000 | 5500 |
| 478 | 52,83 | 0,73 | 13,2 | 411 | 10000 | 5500 |
| 478 | 65,35 | 0,59 | 10,7 | 400 | 10000 | 5500 |
| 478 | 80,83 | 0,47 | 8,7 | 400 | 10000 | 5500 |
| 478 | 97,29 | 0,39 | 7,2 | 411 | 10000 | 5500 |
| 478 | 120,34 | 0,32 | 5,8 | 400 | 10000 | 5500 |
| 478 | 149,73 | 0,26 | 4,7 | 398 | 10000 | 5500 |
| 478 | 180,23 | 0,21 | 3,9 | 411 | 10000 | 5500 |
| 478 | 222,93 | 0,17 | 3,1 | 400 | 10000 | 5500 |
| 478 | 260,20 | 0,15 | 2,7 | 424 | 10000 | 5500 |
| 478 | 321,85 | 0,12 | 2,2 | 400 | 10000 | 5500 |
| 478 | 357,95 | 0,11 | 2,0 | 445 | 10000 | 5500 |
| 478 | 442,76 | 0,09 | 1,6 | 400 | 10000 | 5500 |

KXB1003

| Mn ₂ [Nm] | i | Pn ₁ [kW] | n ₂ [rpm] | Fr1 [N] | Fr2 D-S-P [N] | Fr2 C [N] |
|-------------------------|------|-------------------------|-------------------------|------------|------------------|--------------|
| 7225 | 8,89 | 65,20 | 78,7 | 6870 | 60316 | 60316 |

KXB1003

| Mn₂ [Nm] | i | Pn₁ [kW] | n₂ [rpm] | Fr1 [N] | Fr2 D-S-P [N] | Fr2 C [N] |
|--------------------------------------|----------|--------------------------------------|--------------------------------------|--------------------------|--------------------------------|----------------------------|
| 8394 | 10,58 | 63,69 | 66,2 | 6950 | 62569 | 62569 |
| 8181 | 11,87 | 55,31 | 59,0 | 7393 | 65940 | 65000 |
| 9350 | 12,81 | 58,57 | 54,6 | 7221 | 65940 | 65000 |
| 10200 | 14,08 | 58,11 | 49,7 | 7245 | 67071 | 65000 |
| 10625 | 15,52 | 54,93 | 45,1 | 7413 | 69097 | 65000 |
| 10519 | 16,39 | 51,51 | 42,7 | 7594 | 70864 | 65000 |
| 11050 | 18,02 | 49,21 | 38,9 | 7715 | 72773 | 65000 |
| 11369 | 19,96 | 45,71 | 35,1 | 7901 | 75377 | 65000 |
| 11050 | 21,94 | 40,41 | 31,9 | 8181 | 78965 | 65000 |
| 11156 | 24,17 | 37,03 | 29,0 | 8360 | 80000 | 65000 |
| 11794 | 26,58 | 35,61 | 26,3 | 8435 | 80000 | 65000 |
| 10838 | 28,80 | 30,19 | 24,3 | 8721 | 80000 | 65000 |
| 12219 | 30,92 | 31,71 | 22,6 | 8641 | 80000 | 65000 |
| 12644 | 34,25 | 29,62 | 20,4 | 8752 | 80000 | 65000 |
| 13069 | 37,66 | 27,84 | 18,6 | 8846 | 80000 | 65000 |
| 13494 | 40,65 | 26,63 | 17,2 | 8909 | 80000 | 65000 |
| 12750 | 45,09 | 22,69 | 15,5 | 9118 | 80000 | 65000 |
| 13813 | 51,00 | 21,73 | 13,7 | 9169 | 80000 | 65000 |
| 13813 | 53,63 | 20,67 | 13,1 | 9225 | 80000 | 65000 |
| 13813 | 58,97 | 18,80 | 11,9 | 9324 | 80000 | 65000 |
| 13813 | 69,78 | 15,88 | 10,0 | 9478 | 80000 | 65000 |
| 13813 | 76,72 | 14,45 | 9,1 | 9554 | 80000 | 65000 |
| 13813 | 87,54 | 12,66 | 8,0 | 9648 | 80000 | 65000 |
| 13813 | 96,25 | 11,52 | 7,3 | 9709 | 80000 | 65000 |
| 13813 | 103,93 | 10,66 | 6,7 | 9754 | 80000 | 65000 |
| 13813 | 114,27 | 9,70 | 6,1 | 9805 | 80000 | 65000 |
| 13813 | 126,29 | 8,78 | 5,5 | 9854 | 80000 | 65000 |
| 13813 | 138,85 | 7,98 | 5,0 | 9896 | 80000 | 65000 |
| 13813 | 154,83 | 7,16 | 4,5 | 9939 | 80000 | 65000 |

KXB353

| Mn₂ [Nm] | i | Pn₁ [kW] | n₂ [rpm] | Fr1 [N] | Fr2 D-S-P [N] | Fr2 C [N] |
|--------------------------------------|----------|--------------------------------------|--------------------------------------|--------------------------|--------------------------------|----------------------------|
| 308 | 5,71 | 4,33 | 122,5 | 259 | 9097 | 2599 |
| 361 | 6,88 | 4,21 | 101,8 | 283 | 9519 | 2720 |
| 372 | 7,32 | 4,07 | 95,6 | 313 | 9703 | 2772 |
| 489 | 9,16 | 4,28 | 76,4 | 269 | 10049 | 2871 |
| 553 | 10,26 | 4,32 | 68,2 | 261 | 10229 | 2923 |
| 574 | 11,03 | 4,17 | 63,5 | 292 | 10438 | 2982 |
| 616 | 12,35 | 4,00 | 56,7 | 329 | 10744 | 3070 |
| 627 | 13,15 | 3,82 | 53,2 | 367 | 10978 | 3137 |
| 627 | 15,18 | 3,31 | 46,1 | 477 | 11646 | 3327 |

KXB353

| Mn_2 [Nm] | i | Pn_1 [kW] | n2 [rpm] | Fr1 [N] | Fr2 D-S-P [N] | Fr2 C [N] |
|----------------|--------|----------------|-------------|------------|------------------|--------------|
| 638 | 17,00 | 3,01 | 41,2 | 543 | 12000 | 3472 |
| 638 | 22,39 | 2,28 | 31,3 | 699 | 12000 | 3880 |
| 638 | 26,09 | 1,96 | 26,8 | 769 | 12000 | 4124 |
| 638 | 28,03 | 1,82 | 25,0 | 798 | 12000 | 4242 |
| 638 | 33,43 | 1,53 | 20,9 | 861 | 12000 | 4545 |
| 638 | 38,58 | 1,33 | 18,1 | 905 | 12000 | 4805 |
| 638 | 43,22 | 1,18 | 16,2 | 936 | 12000 | 5020 |
| 638 | 50,81 | 1,01 | 13,8 | 974 | 12000 | 5340 |
| 638 | 56,93 | 0,90 | 12,3 | 997 | 12000 | 5576 |
| 638 | 69,16 | 0,74 | 10,1 | 1032 | 12000 | 6000 |
| 638 | 77,48 | 0,66 | 9,0 | 1049 | 12000 | 6261 |
| 638 | 90,33 | 0,57 | 7,8 | 1069 | 12000 | 6629 |
| 638 | 101,20 | 0,51 | 6,9 | 1082 | 12000 | 6914 |
| 638 | 111,74 | 0,46 | 6,3 | 1092 | 12000 | 7171 |
| 638 | 124,20 | 0,41 | 5,6 | 1102 | 12000 | 7454 |
| 638 | 139,15 | 0,37 | 5,0 | 1112 | 12000 | 7771 |
| 638 | 157,42 | 0,32 | 4,5 | 1121 | 12000 | 8000 |

KXB403

| Mn_2 [Nm] | i | Pn_1 [kW] | n2 [rpm] | Fr1 [N] | Fr2 D-S-P [N] | Fr2 C [N] |
|----------------|-------|----------------|-------------|------------|------------------|--------------|
| 531 | 7,81 | 5,46 | 89,6 | 1603 | 15452 | 4415 |
| 638 | 8,62 | 5,93 | 81,2 | 1482 | 15607 | 4459 |
| 691 | 10,49 | 5,28 | 66,7 | 1648 | 16610 | 4746 |
| 797 | 11,59 | 5,52 | 60,4 | 1588 | 16825 | 4807 |
| 861 | 14,43 | 4,79 | 48,5 | 1775 | 18000 | 5163 |
| 903 | 16,60 | 4,37 | 42,2 | 1882 | 18000 | 5405 |
| 903 | 18,32 | 3,95 | 38,2 | 1988 | 18000 | 5620 |
| 903 | 22,82 | 3,18 | 30,7 | 2187 | 18000 | 6120 |
| 903 | 26,71 | 2,71 | 26,2 | 2306 | 18000 | 6502 |
| 903 | 29,50 | 2,46 | 23,7 | 2371 | 18000 | 6753 |
| 903 | 31,80 | 2,28 | 22,0 | 2417 | 18000 | 6949 |
| 903 | 34,49 | 2,10 | 20,3 | 2462 | 18000 | 7166 |
| 903 | 39,60 | 1,83 | 17,7 | 2500 | 18000 | 7549 |
| 903 | 42,95 | 1,69 | 16,3 | 2500 | 18000 | 7783 |
| 903 | 45,44 | 1,59 | 15,4 | 2500 | 18000 | 7948 |
| 903 | 51,19 | 1,42 | 13,7 | 2500 | 18000 | 8309 |
| 903 | 55,52 | 1,31 | 12,6 | 2500 | 18000 | 8563 |
| 903 | 59,96 | 1,21 | 11,7 | 2500 | 18000 | 8810 |
| 903 | 63,74 | 1,14 | 11,0 | 2500 | 18000 | 9011 |
| 903 | 69,14 | 1,05 | 10,1 | 2500 | 18000 | 9284 |
| 903 | 73,14 | 0,99 | 9,6 | 2500 | 18000 | 9478 |

KXB403

| Mn_2 [Nm] | i | Pn_1 [kW] | n_2 [rpm] | Fr_1 [N] | Fr_2 D-S-P [N] | Fr_2 C [N] |
|----------------|--------|----------------|----------------|---------------|---------------------|-----------------|
| 903 | 80,76 | 0,90 | 8,7 | 2500 | 18000 | 9828 |
| 903 | 92,19 | 0,79 | 7,6 | 2500 | 18000 | 10313 |
| 903 | 100,57 | 0,72 | 7,0 | 2500 | 18000 | 10644 |
| 903 | 105,29 | 0,69 | 6,7 | 2500 | 18000 | 10822 |
| 903 | 116,25 | 0,62 | 6,0 | 2500 | 18000 | 11216 |
| 903 | 126,76 | 0,57 | 5,5 | 2500 | 18000 | 11571 |
| 903 | 144,77 | 0,50 | 4,8 | 2500 | 18000 | 12000 |

KXB503

| Mn_2 [Nm] | i | Pn_1 [kW] | n_2 [rpm] | Fr_1 [N] | Fr_2 D-S-P [N] | Fr_2 C [N] |
|----------------|--------|----------------|----------------|---------------|---------------------|-----------------|
| 850 | 8,13 | 8,39 | 86,1 | 959 | 19137 | 5468 |
| 956 | 8,97 | 8,56 | 78,1 | 920 | 19544 | 5584 |
| 1063 | 10,92 | 7,81 | 64,1 | 1100 | 20736 | 5925 |
| 1063 | 12,05 | 7,08 | 58,1 | 1276 | 21522 | 6149 |
| 1275 | 14,99 | 6,83 | 46,7 | 1336 | 22000 | 6498 |
| 1488 | 17,27 | 6,91 | 40,5 | 1316 | 22000 | 6685 |
| 1488 | 19,06 | 6,26 | 36,7 | 1472 | 22000 | 6946 |
| 1488 | 23,70 | 5,04 | 29,5 | 1768 | 22000 | 7556 |
| 1594 | 26,51 | 4,82 | 26,4 | 1819 | 22000 | 7800 |
| 1700 | 30,55 | 4,46 | 22,9 | 1905 | 22000 | 8149 |
| 1806 | 33,07 | 4,38 | 21,2 | 1925 | 22000 | 8314 |
| 1806 | 35,87 | 4,04 | 19,5 | 2007 | 22000 | 8581 |
| 1806 | 41,12 | 3,52 | 17,0 | 2132 | 22000 | 9045 |
| 1806 | 44,61 | 3,25 | 15,7 | 2198 | 22000 | 9331 |
| 1806 | 47,28 | 3,07 | 14,8 | 2242 | 22000 | 9541 |
| 1806 | 50,24 | 2,88 | 13,9 | 2286 | 22000 | 9764 |
| 1806 | 53,02 | 2,73 | 13,2 | 2322 | 22000 | 9966 |
| 1806 | 58,50 | 2,48 | 12,0 | 2384 | 22000 | 10344 |
| 1806 | 64,89 | 2,23 | 10,8 | 2443 | 22000 | 10755 |
| 1806 | 68,58 | 2,11 | 10,2 | 2472 | 22000 | 10980 |
| 1806 | 72,76 | 1,99 | 9,6 | 2501 | 22000 | 11226 |
| 1806 | 78,92 | 1,84 | 8,9 | 2538 | 22000 | 11572 |
| 1913 | 83,66 | 1,83 | 8,4 | 2539 | 22000 | 11738 |
| 1913 | 92,31 | 1,66 | 7,6 | 2580 | 22000 | 12177 |
| 1913 | 105,44 | 1,46 | 6,6 | 2630 | 22000 | 12794 |
| 1913 | 114,80 | 1,34 | 6,1 | 2659 | 22000 | 13203 |
| 1913 | 120,42 | 1,27 | 5,8 | 2674 | 22000 | 13438 |
| 1913 | 132,87 | 1,15 | 5,3 | 2702 | 22000 | 13933 |
| 1913 | 144,69 | 1,06 | 4,8 | 2725 | 22000 | 14376 |
| 1913 | 165,25 | 0,93 | 4,2 | 2757 | 22000 | 15000 |

KXB603

| Mn ₂ [Nm] | i | Pn ₁ [kW] | n ₂ [rpm] | Fr1 [N] | Fr2 D-S-P [N] | Fr2 C [N] |
|-------------------------|--------|-------------------------|-------------------------|------------|------------------|--------------|
| 1594 | 7,97 | 16,05 | 87,9 | 2471 | 23098 | 6599 |
| 1913 | 9,62 | 15,95 | 72,8 | 2480 | 23587 | 6739 |
| 2125 | 10,33 | 16,50 | 67,7 | 2428 | 23384 | 6681 |
| 2125 | 12,48 | 13,66 | 56,1 | 2699 | 25514 | 7290 |
| 2231 | 13,84 | 12,93 | 50,6 | 2768 | 26255 | 7501 |
| 2231 | 15,38 | 11,64 | 45,5 | 2892 | 27546 | 7870 |
| 2338 | 18,58 | 10,10 | 37,7 | 3039 | 29486 | 8425 |
| 2656 | 20,61 | 10,34 | 34,0 | 3015 | 29423 | 8407 |
| 2975 | 22,78 | 10,48 | 30,7 | 3002 | 29358 | 8388 |
| 2975 | 25,89 | 9,22 | 27,0 | 3122 | 30000 | 8918 |
| 2975 | 27,51 | 8,68 | 25,4 | 3174 | 30000 | 9178 |
| 2975 | 30,79 | 7,75 | 22,7 | 3262 | 30000 | 9674 |
| 2975 | 31,26 | 7,64 | 22,4 | 3273 | 30000 | 9742 |
| 2975 | 34,68 | 6,88 | 20,2 | 3345 | 30000 | 10217 |
| 2975 | 40,53 | 5,89 | 17,3 | 3440 | 30000 | 10963 |
| 3188 | 44,89 | 5,70 | 15,6 | 3458 | 30000 | 11193 |
| 3400 | 49,80 | 5,48 | 14,1 | 3479 | 30000 | 11450 |
| 3400 | 54,30 | 5,02 | 12,9 | 3522 | 30000 | 11911 |
| 3400 | 59,36 | 4,60 | 11,8 | 3563 | 30000 | 12399 |
| 3506 | 62,59 | 4,50 | 11,2 | 3573 | 30000 | 12557 |
| 3506 | 69,43 | 4,05 | 10,1 | 3615 | 30000 | 13155 |
| 3719 | 74,42 | 4,01 | 9,4 | 3619 | 30000 | 13287 |
| 3719 | 80,04 | 3,73 | 8,8 | 3646 | 30000 | 13729 |
| 3719 | 89,87 | 3,32 | 7,8 | 3685 | 30000 | 14454 |
| 3719 | 99,70 | 2,99 | 7,0 | 3716 | 30000 | 15128 |
| 3719 | 106,65 | 2,80 | 6,6 | 3734 | 30000 | 15579 |
| 3719 | 119,60 | 2,49 | 5,8 | 3763 | 30000 | 16367 |
| 3719 | 129,96 | 2,30 | 5,4 | 3782 | 30000 | 16958 |
| 3719 | 144,43 | 2,07 | 4,8 | 3804 | 30000 | 17732 |
| 3719 | 160,23 | 1,86 | 4,4 | 3824 | 30000 | 18520 |
| 3719 | 180,40 | 1,65 | 3,9 | 3843 | 30000 | 19455 |

KXB703

| Mn ₂ [Nm] | i | Pn ₁ [kW] | n ₂ [rpm] | Fr1 [N] | Fr2 D-S-P [N] | Fr2 C [N] |
|-------------------------|-------|-------------------------|-------------------------|------------|------------------|--------------|
| 3188 | 10,84 | 23,60 | 64,6 | 2193 | 21383 | 21383 |
| 3294 | 11,87 | 22,27 | 59,0 | 2294 | 22002 | 22002 |
| 3294 | 14,49 | 18,25 | 48,3 | 2603 | 24212 | 24212 |
| 3400 | 17,04 | 16,01 | 41,1 | 2775 | 25785 | 25785 |
| 3825 | 18,66 | 16,45 | 37,5 | 2741 | 25542 | 25542 |
| 4250 | 21,00 | 16,24 | 33,3 | 2757 | 25686 | 25686 |
| 4675 | 22,77 | 16,47 | 30,7 | 2739 | 25396 | 25396 |

KXB703

| Mn_2 [Nm] | i | Pn_1 [kW] | n_2 [rpm] | Fr_1 [N] | Fr_2 D-S-P [N] | Fr_2 C [N] |
|----------------|--------|----------------|----------------|---------------|---------------------|-----------------|
| 4888 | 25,63 | 15,30 | 27,3 | 2829 | 26320 | 26320 |
| 4888 | 27,44 | 14,29 | 25,5 | 2906 | 27277 | 27277 |
| 4994 | 30,05 | 13,34 | 23,3 | 2980 | 28240 | 28240 |
| 4994 | 33,01 | 12,14 | 21,2 | 3071 | 29633 | 29633 |
| 5100 | 36,67 | 11,16 | 19,1 | 3147 | 30904 | 30904 |
| 5100 | 40,29 | 10,16 | 17,4 | 3223 | 32391 | 32391 |
| 5100 | 44,16 | 9,27 | 15,8 | 3292 | 33887 | 33887 |
| 5313 | 48,35 | 8,82 | 14,5 | 3326 | 34732 | 34732 |
| 5313 | 53,16 | 8,02 | 13,2 | 3387 | 36374 | 36374 |
| 5313 | 54,63 | 7,80 | 12,8 | 3404 | 36856 | 36856 |
| 5313 | 59,02 | 7,22 | 11,9 | 3448 | 38246 | 38246 |
| 5313 | 64,88 | 6,57 | 10,8 | 3499 | 39999 | 39999 |
| 5313 | 70,43 | 6,05 | 9,9 | 3538 | 40000 | 40000 |
| 5313 | 77,12 | 5,53 | 9,1 | 3578 | 40000 | 40000 |
| 5313 | 85,54 | 4,98 | 8,2 | 3620 | 40000 | 40000 |
| 5313 | 94,13 | 4,53 | 7,4 | 3655 | 40000 | 40000 |
| 5313 | 105,83 | 4,03 | 6,6 | 3693 | 40000 | 40000 |
| 5313 | 111,94 | 3,81 | 6,2 | 3710 | 40000 | 40000 |
| 5313 | 124,62 | 3,42 | 5,6 | 3740 | 40000 | 40000 |
| 5313 | 136,44 | 3,12 | 5,1 | 3763 | 40000 | 40000 |
| 5313 | 149,59 | 2,85 | 4,7 | 3784 | 40000 | 40000 |
| 5313 | 166,53 | 2,56 | 4,2 | 3806 | 40000 | 40000 |
| 5313 | 187,24 | 2,28 | 3,7 | 3828 | 40000 | 40000 |

KXB903

| Mn_2 [Nm] | i | Pn_1 [kW] | n_2 [rpm] | Fr_1 [N] | Fr_2 D-S-P [N] | Fr_2 C [N] |
|----------------|-------|----------------|----------------|---------------|---------------------|-----------------|
| 4781 | 10,49 | 36,56 | 66,7 | 6854 | 42333 | 42333 |
| 4781 | 12,64 | 30,35 | 55,4 | 7368 | 45464 | 45464 |
| 5313 | 14,01 | 30,43 | 50,0 | 7362 | 46495 | 46495 |
| 5313 | 15,40 | 27,68 | 45,5 | 7588 | 48216 | 48216 |
| 6375 | 18,56 | 27,57 | 37,7 | 7598 | 50211 | 50211 |
| 6906 | 20,56 | 26,95 | 34,0 | 7649 | 51486 | 51486 |
| 7119 | 23,86 | 23,94 | 29,3 | 7897 | 54271 | 54271 |
| 7225 | 25,19 | 23,02 | 27,8 | 7974 | 55283 | 55283 |
| 8500 | 28,23 | 24,16 | 24,8 | 7879 | 55940 | 55940 |
| 8500 | 30,35 | 22,47 | 23,1 | 8018 | 57593 | 57593 |
| 8500 | 33,63 | 20,28 | 20,8 | 8200 | 60009 | 60009 |
| 8500 | 35,02 | 19,48 | 20,0 | 8266 | 60981 | 60981 |
| 8500 | 38,81 | 17,57 | 18,0 | 8423 | 63514 | 63514 |
| 8500 | 42,30 | 16,13 | 16,6 | 8543 | 65000 | 65000 |
| 8500 | 47,53 | 14,35 | 14,7 | 8690 | 65000 | 65000 |

KXB903

| Mn_2 [Nm] | i | Pn_1 [kW] | n_2 [rpm] | Fr_1 [N] | Fr_2 D-S-P [N] | Fr_2 C [N] |
|----------------|--------|----------------|----------------|---------------|---------------------|-----------------|
| 8500 | 50,56 | 13,49 | 13,8 | 8761 | 65000 | 65000 |
| 8500 | 54,64 | 12,48 | 12,8 | 8844 | 65000 | 65000 |
| 8500 | 57,27 | 11,91 | 12,2 | 8891 | 65000 | 65000 |
| 8500 | 60,92 | 11,19 | 11,5 | 8950 | 65000 | 65000 |
| 8500 | 63,47 | 10,75 | 11,0 | 8987 | 65000 | 65000 |
| 8500 | 71,15 | 9,59 | 9,8 | 9083 | 65000 | 65000 |
| 8500 | 77,22 | 8,83 | 9,1 | 9145 | 65000 | 65000 |
| 8500 | 83,89 | 8,13 | 8,3 | 9203 | 65000 | 65000 |
| 8500 | 87,65 | 7,78 | 8,0 | 9232 | 65000 | 65000 |
| 8500 | 93,05 | 7,33 | 7,5 | 9269 | 65000 | 65000 |
| 8500 | 103,12 | 6,61 | 6,8 | 9329 | 65000 | 65000 |
| 8500 | 123,88 | 5,51 | 5,7 | 9420 | 65000 | 65000 |
| 8500 | 134,27 | 5,08 | 5,2 | 9455 | 65000 | 65000 |
| 8500 | 149,26 | 4,57 | 4,7 | 9497 | 65000 | 65000 |
| 8500 | 165,42 | 4,12 | 4,2 | 9534 | 65000 | 65000 |

KXA202

| Mn_2 [Nm] | i | Pn_1 [kW] | n_2 [rpm] | Fr_1 [N] | Fr_2 D-S-P [N] | Fr_2 C [N] |
|----------------|-------|----------------|----------------|---------------|---------------------|-----------------|
| 97 | 7,62 | 0,69 | 65,7 | 373 | - | 2557 |
| 97 | 10,62 | 0,49 | 47,1 | 355 | - | 2857 |
| 97 | 12,95 | 0,40 | 38,6 | 406 | - | 3052 |
| 97 | 14,46 | 0,36 | 34,6 | 443 | - | 3166 |
| 129 | 16,47 | 0,42 | 30,4 | 579 | - | 3307 |
| 129 | 22,97 | 0,30 | 21,8 | 355 | - | 3695 |
| 129 | 28,00 | 0,25 | 17,9 | 406 | - | 3946 |
| 129 | 31,27 | 0,22 | 16,0 | 443 | - | 4000 |
| 129 | 33,78 | 0,21 | 14,8 | 458 | - | 4000 |
| 129 | 47,12 | 0,15 | 10,6 | 355 | - | 4000 |
| 129 | 57,43 | 0,12 | 8,7 | 406 | - | 4000 |
| 118 | 64,13 | 0,10 | 7,8 | 406 | - | 4000 |
| 118 | 78,17 | 0,08 | 6,4 | 406 | - | 4000 |

KXA252

| Mn_2 [Nm] | i | Pn_1 [kW] | n_2 [rpm] | Fr_1 [N] | Fr_2 D-S-P [N] | Fr_2 C [N] |
|----------------|-------|----------------|----------------|---------------|---------------------|-----------------|
| 172 | 7,91 | 1,17 | 63,2 | 373 | - | 2775 |
| 172 | 9,46 | 0,98 | 52,9 | 414 | - | 2945 |
| 172 | 11,57 | 0,80 | 43,2 | 405 | - | 3150 |
| 172 | 14,63 | 0,64 | 34,2 | 392 | - | 3405 |
| 215 | 17,11 | 0,68 | 29,2 | 529 | - | 3588 |
| 215 | 20,46 | 0,57 | 24,4 | 414 | - | 3809 |
| 215 | 25,03 | 0,46 | 20,0 | 405 | - | 4000 |
| 215 | 31,63 | 0,37 | 15,8 | 392 | - | 4000 |
| 215 | 35,10 | 0,33 | 14,2 | 446 | - | 4000 |
| 215 | 41,97 | 0,28 | 11,9 | 414 | - | 4000 |
| 237 | 51,34 | 0,25 | 9,7 | 445 | - | 4000 |
| 215 | 64,87 | 0,18 | 7,7 | 356 | - | 4000 |
| 215 | 79,07 | 0,15 | 6,3 | 406 | - | 4000 |

KXA253

| Mn_2 [Nm] | i | Pn_1 [kW] | n_2 [rpm] | Fr_1 [N] | Fr_2 D-S-P [N] | Fr_2 C [N] |
|----------------|--------|----------------|----------------|---------------|---------------------|-----------------|
| 237 | 73,70 | 0,18 | 6,8 | 472 | - | 4000 |
| 237 | 93,33 | 0,14 | 5,4 | 472 | - | 4000 |
| 237 | 111,61 | 0,12 | 4,5 | 472 | - | 4000 |
| 237 | 136,53 | 0,10 | 3,7 | 472 | - | 4000 |
| 237 | 172,53 | 0,08 | 2,9 | 472 | - | 4000 |
| 237 | 197,11 | 0,07 | 2,5 | 472 | - | 4000 |
| 237 | 249,08 | 0,05 | 2,0 | 472 | - | 4000 |

KXA253

| Mn ₂ [Nm] | i | Pn ₁ [kW] | n ₂ [rpm] | Fr1 [N] | Fr2 D-S-P [N] | Fr2 C [N] |
|-------------------------|--------|-------------------------|-------------------------|------------|------------------|--------------|
| 237 | 271,16 | 0,05 | 1,8 | 472 | - | 4000 |
| 237 | 342,65 | 0,04 | 1,5 | 472 | - | 4000 |

KXA352

| Mn ₂ [Nm] | i | Pn ₁ [kW] | n ₂ [rpm] | Fr1 [N] | Fr2 D-S-P [N] | Fr2 C [N] |
|-------------------------|-------|-------------------------|-------------------------|------------|------------------|--------------|
| 376 | 8,36 | 2,43 | 59,8 | 664 | 7159 | 3579 |
| 376 | 10,06 | 2,02 | 49,7 | 685 | 7615 | 3808 |
| 376 | 12,44 | 1,63 | 40,2 | 667 | 8174 | 4087 |
| 452 | 14,91 | 1,64 | 33,5 | 826 | 8682 | 4341 |
| 452 | 17,94 | 1,36 | 27,9 | 685 | 9235 | 4618 |
| 452 | 22,19 | 1,10 | 22,5 | 667 | 9913 | 4957 |
| 452 | 27,45 | 0,89 | 18,2 | 667 | 10000 | 5321 |
| 452 | 33,04 | 0,74 | 15,1 | 685 | 10000 | 5500 |
| 430 | 40,87 | 0,57 | 12,2 | 635 | 10000 | 5500 |
| 376 | 45,64 | 0,45 | 10,9 | 646 | 10000 | 5500 |
| 376 | 54,94 | 0,37 | 9,1 | 685 | 10000 | 5500 |
| 376 | 67,96 | 0,30 | 7,4 | 667 | 10000 | 5500 |

KXA353

| Mn ₂ [Nm] | i | Pn ₁ [kW] | n ₂ [rpm] | Fr1 [N] | Fr2 D-S-P [N] | Fr2 C [N] |
|-------------------------|--------|-------------------------|-------------------------|------------|------------------|--------------|
| 484 | 43,89 | 0,63 | 11,4 | 330 | 10000 | 5500 |
| 484 | 52,83 | 0,52 | 9,5 | 411 | 10000 | 5500 |
| 484 | 65,35 | 0,42 | 7,7 | 400 | 10000 | 5500 |
| 484 | 80,83 | 0,34 | 6,2 | 400 | 10000 | 5500 |
| 484 | 97,29 | 0,28 | 5,1 | 411 | 10000 | 5500 |
| 484 | 120,34 | 0,23 | 4,2 | 400 | 10000 | 5500 |
| 484 | 149,73 | 0,18 | 3,3 | 398 | 10000 | 5500 |
| 484 | 180,23 | 0,15 | 2,8 | 411 | 10000 | 5500 |
| 484 | 222,93 | 0,12 | 2,2 | 400 | 10000 | 5500 |
| 484 | 260,20 | 0,11 | 1,9 | 424 | 10000 | 5500 |
| 484 | 321,85 | 0,09 | 1,6 | 400 | 10000 | 5500 |
| 484 | 357,95 | 0,08 | 1,4 | 445 | 10000 | 5500 |
| 484 | 442,76 | 0,06 | 1,1 | 400 | 10000 | 5500 |

KXB1003

| Mn ₂ [Nm] | i | Pn ₁ [kW] | n ₂ [rpm] | Fr1 [N] | Fr2 D-S-P [N] | Fr2 C [N] |
|-------------------------|------|-------------------------|-------------------------|------------|------------------|--------------|
| 7310 | 8,89 | 46,89 | 56,2 | 6830 | 68733 | 65000 |

KXB1003

| Mn₂ [Nm] | i | Pn₁ [kW] | n₂ [rpm] | Fr1 [N] | Fr2 D-S-P [N] | Fr2 C [N] |
|--------------------------------------|----------|--------------------------------------|--------------------------------------|--------------------------|--------------------------------|----------------------------|
| 8493 | 10,58 | 45,80 | 47,3 | 6910 | 71467 | 65000 |
| 8278 | 11,87 | 39,77 | 42,1 | 7359 | 75194 | 65000 |
| 9460 | 12,81 | 42,12 | 39,0 | 7184 | 75410 | 65000 |
| 10320 | 14,08 | 41,79 | 35,5 | 7209 | 76831 | 65000 |
| 10750 | 15,52 | 39,50 | 32,2 | 7379 | 79173 | 65000 |
| 10643 | 16,39 | 37,04 | 30,5 | 7562 | 80000 | 65000 |
| 11180 | 18,02 | 35,39 | 27,8 | 7685 | 80000 | 65000 |
| 11503 | 19,96 | 32,87 | 25,1 | 7872 | 80000 | 65000 |
| 11180 | 21,94 | 29,06 | 22,8 | 8156 | 80000 | 65000 |
| 11288 | 24,17 | 26,63 | 20,7 | 8337 | 80000 | 65000 |
| 11933 | 26,58 | 25,61 | 18,8 | 8413 | 80000 | 65000 |
| 10965 | 28,80 | 21,71 | 17,4 | 8702 | 80000 | 65000 |
| 12363 | 30,92 | 22,80 | 16,2 | 8622 | 80000 | 65000 |
| 12793 | 34,25 | 21,30 | 14,6 | 8733 | 80000 | 65000 |
| 13223 | 37,66 | 20,02 | 13,3 | 8828 | 80000 | 65000 |
| 13653 | 40,65 | 19,15 | 12,3 | 8893 | 80000 | 65000 |
| 12900 | 45,09 | 16,32 | 11,1 | 9104 | 80000 | 65000 |
| 13975 | 51,00 | 15,63 | 9,8 | 9155 | 80000 | 65000 |
| 13975 | 53,63 | 14,86 | 9,3 | 9212 | 80000 | 65000 |
| 13975 | 58,97 | 13,52 | 8,5 | 9312 | 80000 | 65000 |
| 13975 | 69,78 | 11,42 | 7,2 | 9468 | 80000 | 65000 |
| 13975 | 76,72 | 10,39 | 6,5 | 9545 | 80000 | 65000 |
| 13975 | 87,54 | 9,11 | 5,7 | 9641 | 80000 | 65000 |
| 13975 | 96,25 | 8,28 | 5,2 | 9702 | 80000 | 65000 |
| 13975 | 103,93 | 7,67 | 4,8 | 9747 | 80000 | 65000 |
| 13975 | 114,27 | 6,97 | 4,4 | 9799 | 80000 | 65000 |
| 13975 | 126,29 | 6,31 | 4,0 | 9848 | 80000 | 65000 |
| 13975 | 138,85 | 5,74 | 3,6 | 9891 | 80000 | 65000 |
| 13975 | 154,83 | 5,15 | 3,2 | 9935 | 80000 | 65000 |

KXB353

| Mn₂ [Nm] | i | Pn₁ [kW] | n₂ [rpm] | Fr1 [N] | Fr2 D-S-P [N] | Fr2 C [N] |
|--------------------------------------|----------|--------------------------------------|--------------------------------------|--------------------------|--------------------------------|----------------------------|
| 312 | 5,71 | 3,11 | 87,5 | 248 | 10312 | 2946 |
| 366 | 6,88 | 3,03 | 72,7 | 273 | 10809 | 3088 |
| 376 | 7,32 | 2,93 | 68,3 | 303 | 11020 | 3149 |
| 495 | 9,16 | 3,08 | 54,6 | 258 | 11462 | 3275 |
| 559 | 10,26 | 3,11 | 48,7 | 250 | 11694 | 3341 |
| 581 | 11,03 | 3,00 | 45,3 | 281 | 11938 | 3411 |
| 624 | 12,35 | 2,88 | 40,5 | 319 | 12000 | 3514 |
| 634 | 13,15 | 2,75 | 38,0 | 358 | 12000 | 3590 |
| 634 | 15,18 | 2,38 | 33,0 | 469 | 12000 | 3804 |

KXB353

| Mn_2 [Nm] | i | Pn_1 [kW] | n_2 [rpm] | Fr_1 [N] | Fr_2 D-S-P [N] | Fr_2 C [N] |
|----------------|--------|----------------|----------------|---------------|---------------------|-----------------|
| 645 | 17,00 | 2,16 | 29,4 | 535 | 12000 | 3966 |
| 645 | 22,39 | 1,64 | 22,3 | 693 | 12000 | 4423 |
| 645 | 26,09 | 1,41 | 19,2 | 764 | 12000 | 4695 |
| 645 | 28,03 | 1,31 | 17,8 | 793 | 12000 | 4827 |
| 645 | 33,43 | 1,10 | 15,0 | 858 | 12000 | 5166 |
| 645 | 38,58 | 0,95 | 13,0 | 902 | 12000 | 5456 |
| 645 | 43,22 | 0,85 | 11,6 | 933 | 12000 | 5696 |
| 645 | 50,81 | 0,72 | 9,8 | 972 | 12000 | 6054 |
| 645 | 56,93 | 0,65 | 8,8 | 995 | 12000 | 6317 |
| 645 | 69,16 | 0,53 | 7,2 | 1030 | 12000 | 6792 |
| 645 | 77,48 | 0,47 | 6,5 | 1047 | 12000 | 7083 |
| 645 | 90,33 | 0,41 | 5,5 | 1068 | 12000 | 7494 |
| 645 | 101,20 | 0,36 | 4,9 | 1081 | 12000 | 7812 |
| 645 | 111,74 | 0,33 | 4,5 | 1091 | 12000 | 8000 |
| 645 | 124,20 | 0,30 | 4,0 | 1101 | 12000 | 8000 |
| 645 | 139,15 | 0,26 | 3,6 | 1111 | 12000 | 8000 |
| 645 | 157,42 | 0,23 | 3,2 | 1120 | 12000 | 8000 |

KXB403

| Mn_2 [Nm] | i | Pn_1 [kW] | n_2 [rpm] | Fr_1 [N] | Fr_2 D-S-P [N] | Fr_2 C [N] |
|----------------|-------|----------------|----------------|---------------|---------------------|-----------------|
| 538 | 7,81 | 3,93 | 64,0 | 1587 | 17494 | 4998 |
| 645 | 8,62 | 4,27 | 58,0 | 1464 | 17713 | 5061 |
| 699 | 10,49 | 3,80 | 47,6 | 1633 | 18000 | 5387 |
| 806 | 11,59 | 3,97 | 43,1 | 1571 | 18000 | 5469 |
| 871 | 14,43 | 3,44 | 34,6 | 1761 | 18000 | 5875 |
| 914 | 16,60 | 3,14 | 30,1 | 1869 | 18000 | 6150 |
| 914 | 18,32 | 2,84 | 27,3 | 1976 | 18000 | 6390 |
| 914 | 22,82 | 2,28 | 21,9 | 2177 | 18000 | 6949 |
| 914 | 26,71 | 1,95 | 18,7 | 2297 | 18000 | 7376 |
| 914 | 29,50 | 1,77 | 16,9 | 2364 | 18000 | 7657 |
| 914 | 31,80 | 1,64 | 15,7 | 2410 | 18000 | 7875 |
| 914 | 34,49 | 1,51 | 14,5 | 2456 | 18000 | 8118 |
| 914 | 39,60 | 1,32 | 12,6 | 2500 | 18000 | 8546 |
| 914 | 42,95 | 1,21 | 11,6 | 2500 | 18000 | 8807 |
| 914 | 45,44 | 1,15 | 11,0 | 2500 | 18000 | 8992 |
| 914 | 51,19 | 1,02 | 9,8 | 2500 | 18000 | 9395 |
| 914 | 55,52 | 0,94 | 9,0 | 2500 | 18000 | 9679 |
| 914 | 59,96 | 0,87 | 8,3 | 2500 | 18000 | 9955 |
| 914 | 63,74 | 0,82 | 7,8 | 2500 | 18000 | 10179 |
| 914 | 69,14 | 0,75 | 7,2 | 2500 | 18000 | 10485 |
| 914 | 73,14 | 0,71 | 6,8 | 2500 | 18000 | 10701 |

KXB403

| Mn_2 [Nm] | i | Pn_1 [kW] | n_2 [rpm] | Fr_1 [N] | Fr_2 D-S-P [N] | Fr_2 C [N] |
|----------------|--------|----------------|----------------|---------------|---------------------|-----------------|
| 914 | 80,76 | 0,65 | 6,2 | 2500 | 18000 | 11092 |
| 914 | 92,19 | 0,57 | 5,4 | 2500 | 18000 | 11634 |
| 914 | 100,57 | 0,52 | 5,0 | 2500 | 18000 | 12000 |
| 914 | 105,29 | 0,49 | 4,8 | 2500 | 18000 | 12000 |
| 914 | 116,25 | 0,45 | 4,3 | 2500 | 18000 | 12000 |
| 914 | 126,76 | 0,41 | 3,9 | 2500 | 18000 | 12000 |
| 914 | 144,77 | 0,36 | 3,5 | 2500 | 18000 | 12000 |

KXB503

| Mn_2 [Nm] | i | Pn_1 [kW] | n_2 [rpm] | Fr_1 [N] | Fr_2 D-S-P [N] | Fr_2 C [N] |
|----------------|--------|----------------|----------------|---------------|---------------------|-----------------|
| 860 | 8,13 | 6,04 | 61,5 | 935 | 21643 | 6184 |
| 968 | 8,97 | 6,15 | 55,8 | 895 | 22000 | 6323 |
| 1075 | 10,92 | 5,61 | 45,8 | 1078 | 22000 | 6713 |
| 1075 | 12,05 | 5,09 | 41,5 | 1256 | 22000 | 6963 |
| 1290 | 14,99 | 4,91 | 33,4 | 1317 | 22000 | 7372 |
| 1505 | 17,27 | 4,97 | 28,9 | 1296 | 22000 | 7600 |
| 1505 | 19,06 | 4,50 | 26,2 | 1454 | 22000 | 7891 |
| 1505 | 23,70 | 3,62 | 21,1 | 1753 | 22000 | 8572 |
| 1613 | 26,51 | 3,47 | 18,9 | 1805 | 22000 | 8854 |
| 1720 | 30,55 | 3,21 | 16,4 | 1893 | 22000 | 9254 |
| 1828 | 33,07 | 3,15 | 15,1 | 1912 | 22000 | 9447 |
| 1828 | 35,87 | 2,91 | 13,9 | 1996 | 22000 | 9745 |
| 1828 | 41,12 | 2,53 | 12,2 | 2122 | 22000 | 10264 |
| 1828 | 44,61 | 2,34 | 11,2 | 2189 | 22000 | 10584 |
| 1828 | 47,28 | 2,20 | 10,6 | 2234 | 22000 | 10819 |
| 1828 | 50,24 | 2,07 | 9,9 | 2278 | 22000 | 11068 |
| 1828 | 53,02 | 1,97 | 9,4 | 2315 | 22000 | 11293 |
| 1828 | 58,50 | 1,78 | 8,6 | 2377 | 22000 | 11715 |
| 1828 | 64,89 | 1,61 | 7,7 | 2436 | 22000 | 12175 |
| 1828 | 68,58 | 1,52 | 7,3 | 2466 | 22000 | 12427 |
| 1828 | 72,76 | 1,43 | 6,9 | 2495 | 22000 | 12701 |
| 1828 | 78,92 | 1,32 | 6,3 | 2533 | 22000 | 13088 |
| 1935 | 83,66 | 1,32 | 6,0 | 2534 | 22000 | 13283 |
| 1935 | 92,31 | 1,20 | 5,4 | 2576 | 22000 | 13773 |
| 1935 | 105,44 | 1,05 | 4,7 | 2626 | 22000 | 14463 |
| 1935 | 114,80 | 0,96 | 4,4 | 2655 | 22000 | 14920 |
| 1935 | 120,42 | 0,92 | 4,2 | 2670 | 22000 | 15000 |
| 1935 | 132,87 | 0,83 | 3,8 | 2699 | 22000 | 15000 |
| 1935 | 144,69 | 0,76 | 3,5 | 2722 | 22000 | 15000 |
| 1935 | 165,25 | 0,67 | 3,0 | 2754 | 22000 | 15000 |

KXB603

| Mn ₂ [Nm] | i | Pn ₁ [kW] | n ₂ [rpm] | Fr1 [N] | Fr2 D-S-P [N] | Fr2 C [N] |
|-------------------------|--------|-------------------------|-------------------------|------------|------------------|--------------|
| 1613 | 7,97 | 11,54 | 62,8 | 2453 | 26584 | 7595 |
| 1935 | 9,62 | 11,47 | 52,0 | 2462 | 27285 | 7796 |
| 2150 | 10,33 | 11,87 | 48,4 | 2410 | 27163 | 7761 |
| 2150 | 12,48 | 9,83 | 40,1 | 2683 | 29542 | 8441 |
| 2258 | 13,84 | 9,30 | 36,1 | 2754 | 30000 | 8692 |
| 2258 | 15,38 | 8,37 | 32,5 | 2878 | 30000 | 9104 |
| 2365 | 18,58 | 7,26 | 26,9 | 3027 | 30000 | 9738 |
| 2688 | 20,61 | 7,44 | 24,3 | 3004 | 30000 | 9762 |
| 3010 | 22,78 | 7,54 | 21,9 | 2990 | 30000 | 9786 |
| 3010 | 25,89 | 6,63 | 19,3 | 3112 | 30000 | 10378 |
| 3010 | 27,51 | 6,24 | 18,2 | 3164 | 30000 | 10668 |
| 3010 | 30,79 | 5,57 | 16,2 | 3253 | 30000 | 11223 |
| 3010 | 31,26 | 5,49 | 16,0 | 3265 | 30000 | 11299 |
| 3010 | 34,68 | 4,95 | 14,4 | 3337 | 30000 | 11830 |
| 3010 | 40,53 | 4,24 | 12,3 | 3433 | 30000 | 12663 |
| 3225 | 44,89 | 4,10 | 11,1 | 3452 | 30000 | 12950 |
| 3440 | 49,80 | 3,94 | 10,0 | 3473 | 30000 | 13267 |
| 3440 | 54,30 | 3,61 | 9,2 | 3517 | 30000 | 13782 |
| 3440 | 59,36 | 3,31 | 8,4 | 3558 | 30000 | 14327 |
| 3548 | 62,59 | 3,23 | 8,0 | 3568 | 30000 | 14518 |
| 3548 | 69,43 | 2,91 | 7,2 | 3610 | 30000 | 15187 |
| 3763 | 74,42 | 2,88 | 6,7 | 3614 | 30000 | 15364 |
| 3763 | 80,04 | 2,68 | 6,2 | 3642 | 30000 | 15858 |
| 3763 | 89,87 | 2,39 | 5,6 | 3681 | 30000 | 16668 |
| 3763 | 99,70 | 2,15 | 5,0 | 3712 | 30000 | 17421 |
| 3763 | 106,65 | 2,01 | 4,7 | 3731 | 30000 | 17925 |
| 3763 | 119,60 | 1,79 | 4,2 | 3761 | 30000 | 18805 |
| 3763 | 129,96 | 1,65 | 3,9 | 3780 | 30000 | 19466 |
| 3763 | 144,43 | 1,49 | 3,5 | 3802 | 30000 | 20000 |
| 3763 | 160,23 | 1,34 | 3,1 | 3822 | 30000 | 20000 |
| 3763 | 180,40 | 1,19 | 2,8 | 3842 | 30000 | 20000 |

KXB703

| Mn ₂ [Nm] | i | Pn ₁ [kW] | n ₂ [rpm] | Fr1 [N] | Fr2 D-S-P [N] | Fr2 C [N] |
|-------------------------|-------|-------------------------|-------------------------|------------|------------------|--------------|
| 3225 | 10,84 | 16,97 | 46,1 | 2171 | 24968 | 24968 |
| 3333 | 11,87 | 16,02 | 42,1 | 2274 | 25696 | 25696 |
| 3333 | 14,49 | 13,12 | 34,5 | 2587 | 28165 | 28165 |
| 3440 | 17,04 | 11,51 | 29,3 | 2760 | 29959 | 29959 |
| 3870 | 18,66 | 11,83 | 26,8 | 2726 | 29831 | 29831 |
| 4300 | 21,00 | 11,68 | 23,8 | 2742 | 30135 | 30135 |
| 4730 | 22,77 | 11,85 | 22,0 | 2724 | 29954 | 29954 |

KXB703

| Mn_2 [Nm] | i | Pn_1 [kW] | n_2 [rpm] | Fr_1 [N] | Fr_2 D-S-P [N] | Fr_2 C [N] |
|----------------|--------|----------------|----------------|---------------|---------------------|-----------------|
| 4945 | 25,63 | 11,00 | 19,5 | 2815 | 31059 | 31059 |
| 4945 | 27,44 | 10,28 | 18,2 | 2894 | 32128 | 32128 |
| 5053 | 30,05 | 9,59 | 16,6 | 2968 | 33240 | 33240 |
| 5053 | 33,01 | 8,73 | 15,2 | 3060 | 34796 | 34796 |
| 5160 | 36,67 | 8,02 | 13,6 | 3137 | 36252 | 36252 |
| 5160 | 40,29 | 7,30 | 12,4 | 3214 | 37914 | 37914 |
| 5160 | 44,16 | 6,66 | 11,3 | 3283 | 39586 | 39586 |
| 5375 | 48,35 | 6,34 | 10,3 | 3318 | 40000 | 40000 |
| 5375 | 53,16 | 5,77 | 9,4 | 3380 | 40000 | 40000 |
| 5375 | 54,63 | 5,61 | 9,2 | 3397 | 40000 | 40000 |
| 5375 | 59,02 | 5,19 | 8,5 | 3442 | 40000 | 40000 |
| 5375 | 64,88 | 4,72 | 7,7 | 3493 | 40000 | 40000 |
| 5375 | 70,43 | 4,35 | 7,1 | 3533 | 40000 | 40000 |
| 5375 | 77,12 | 3,98 | 6,5 | 3573 | 40000 | 40000 |
| 5375 | 85,54 | 3,58 | 5,8 | 3616 | 40000 | 40000 |
| 5375 | 94,13 | 3,26 | 5,3 | 3651 | 40000 | 40000 |
| 5375 | 105,83 | 2,90 | 4,7 | 3690 | 40000 | 40000 |
| 5375 | 111,94 | 2,74 | 4,5 | 3707 | 40000 | 40000 |
| 5375 | 124,62 | 2,46 | 4,0 | 3737 | 40000 | 40000 |
| 5375 | 136,44 | 2,25 | 3,7 | 3760 | 40000 | 40000 |
| 5375 | 149,59 | 2,05 | 3,3 | 3781 | 40000 | 40000 |
| 5375 | 166,53 | 1,84 | 3,0 | 3804 | 40000 | 40000 |
| 5375 | 187,24 | 1,64 | 2,7 | 3826 | 40000 | 40000 |

KXB903

| Mn_2 [Nm] | i | Pn_1 [kW] | n_2 [rpm] | Fr_1 [N] | Fr_2 D-S-P [N] | Fr_2 C [N] |
|----------------|-------|----------------|----------------|---------------|---------------------|-----------------|
| 4838 | 10,49 | 26,30 | 47,6 | 6819 | 48046 | 48046 |
| 4838 | 12,64 | 21,82 | 39,5 | 7339 | 51544 | 51544 |
| 5375 | 14,01 | 21,88 | 35,7 | 7332 | 52779 | 52779 |
| 5375 | 15,40 | 19,91 | 32,5 | 7561 | 54701 | 54701 |
| 6450 | 18,56 | 19,83 | 26,9 | 7571 | 57095 | 57095 |
| 6988 | 20,56 | 19,38 | 24,3 | 7623 | 58602 | 58602 |
| 7203 | 23,86 | 17,22 | 21,0 | 7874 | 61748 | 61748 |
| 7310 | 25,19 | 16,55 | 19,9 | 7951 | 62895 | 62895 |
| 8600 | 28,23 | 17,37 | 17,7 | 7856 | 63827 | 63827 |
| 8600 | 30,35 | 16,16 | 16,5 | 7997 | 65000 | 65000 |
| 8600 | 33,63 | 14,58 | 14,9 | 8180 | 65000 | 65000 |
| 8600 | 35,02 | 14,01 | 14,3 | 8247 | 65000 | 65000 |
| 8600 | 38,81 | 12,64 | 12,9 | 8406 | 65000 | 65000 |
| 8600 | 42,30 | 11,60 | 11,8 | 8527 | 65000 | 65000 |
| 8600 | 47,53 | 10,32 | 10,5 | 8676 | 65000 | 65000 |

KXB903

| Mn_2 [Nm] | i | Pn_1 [kW] | n_2 [rpm] | Fr_1 [N] | Fr_2 D-S-P [N] | Fr_2 C [N] |
|----------------|--------|----------------|----------------|---------------|---------------------|-----------------|
| 8600 | 50,56 | 9,70 | 9,9 | 8748 | 65000 | 65000 |
| 8600 | 54,64 | 8,98 | 9,2 | 8832 | 65000 | 65000 |
| 8600 | 57,27 | 8,56 | 8,7 | 8880 | 65000 | 65000 |
| 8600 | 60,92 | 8,05 | 8,2 | 8939 | 65000 | 65000 |
| 8600 | 63,47 | 7,73 | 7,9 | 8977 | 65000 | 65000 |
| 8600 | 71,15 | 6,89 | 7,0 | 9074 | 65000 | 65000 |
| 8600 | 77,22 | 6,35 | 6,5 | 9137 | 65000 | 65000 |
| 8600 | 83,89 | 5,85 | 6,0 | 9195 | 65000 | 65000 |
| 8600 | 87,65 | 5,60 | 5,7 | 9225 | 65000 | 65000 |
| 8600 | 93,05 | 5,27 | 5,4 | 9262 | 65000 | 65000 |
| 8600 | 103,12 | 4,76 | 4,8 | 9322 | 65000 | 65000 |
| 8600 | 123,88 | 3,96 | 4,0 | 9415 | 65000 | 65000 |
| 8600 | 134,27 | 3,65 | 3,7 | 9450 | 65000 | 65000 |
| 8600 | 149,26 | 3,29 | 3,4 | 9493 | 65000 | 65000 |
| 8600 | 165,42 | 2,97 | 3,0 | 9530 | 65000 | 65000 |

ATTENTION!

The revised data and information, shown in this technical catalogue, replaces the data of the previous editions. Old data is now obsolete. All technical data, dimensions, weights in this catalogue are subject to changes without warning. Illustrations are not binding. You can find the above mentioned data and information on our site www.motovario.com; please periodically consult the technical documentation on the web site to be always updated about possible modifications of performances and characteristics of the product.

All supplies effected by MOTOVARIO are governed exclusively by the general terms of sale that you can find on our website:

<http://www.motovario.com/eng/corporate/sales-conditions>

