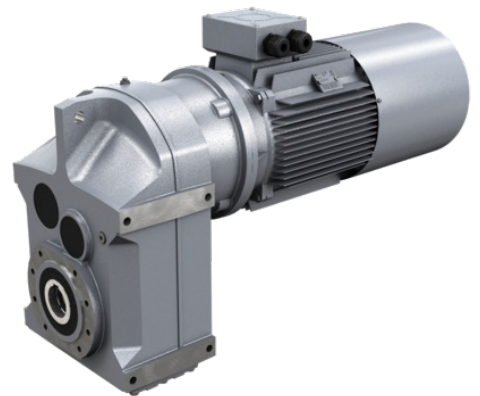


TECHNICAL CATALOGUE

DXS SERIES



SHAFTMOUNTED GEARED MOTORS

STANDARD **IEC**



PUJOL

a **TECO** Group company

1. GENERAL INFORMATION

1.1	SYMBOLS AND FORMULAS	4
1.1.1	Symbols	4
1.1.2	Formulas	5
1.2	PRODUCT SELECTION	6
1.3	SERVICE FACTOR	7
1.4	INSTALLATION	8

2. PRODUCT INFORMATION

2.1	DESIGN FEATURES	9
2.2	TYOLOGY	10
2.2.1	Designation	10
2.2.2	Versions	11
2.2.3	Modularity	12
2.3	MOUNTING POSITIONS	13
2.3.1	Mounting positions	13
2.3.2	Position of terminal box	13
2.4	THERMAL POWER	14
2.4.1	Information	14
2.4.2	Verification	14
2.5	CRITICAL APPLICATIONS	15
2.5.1	Critical applications	15
2.5.2	Information	15
2.6	MOTOR FLANGE AVAILABILITY	16
2.7	OUTPUT SHAFT BEARINGS	19
2.8	RADIAL LOAD	20
2.8.1	Information	20
2.8.2	Input	20
2.8.3	Output	21
2.9	LUBRICATION	22
2.9.1	Information	22
2.9.2	Lubricants	22
2.9.3	Special lubricants	23

2.9.4	Quantity	24
2.10	MOMENTS OF INERTIA	25

3. DIMENSIONS

3.1	REDUCERS/GEARED MOTORS	26
3.1.1	DXSC 302...603	26
3.1.2	DXS 302...603	27
3.2	ELECTRIC MOTORS	28
3.2.1	Electric motors	28
3.2.2	Standard high efficiency (TS), high (TH, SH, HSH) and premium (TP) motors	30
3.2.3	Nominal power - [kW]	31
3.3	WEIGHTS	32
3.4	SHAFT END	33

4. ACCESSORIES AND OPTIONS

4.1	LOW SPEED SHAFTS	34
4.2	OUTPUT FLANGE	35
4.3	SHAFT MOUNTING FASTENING	36
4.4	BACKSTOP DEVICE	37
4.5	OUTPUT SHAFT WITH SHRINK DISC	38
4.6	REINFORCED OIL SEALS FOR OUTPUT SHAFT	39
4.7	ASSEMBLING/DISASSEMBLING KIT	40
4.8	MACHINE AXIS	41

5. PERFORMANCES

5.1	DXSC GEARED MOTORS (50Hz)	42
5.2	DXS GEAR REDUCER - 1750 rpm	102
5.3	DXS GEAR REDUCER - 1400 rpm	108
5.4	DXS GEAR REDUCER - 1140 rpm	114

5.5	DXS GEAR REDUCER - 900 rpm	120
5.6	DXS GEAR REDUCER - 700 rpm	126
5.7	DXS GEAR REDUCER - 500 rpm	132

6. SALES CONDITIONS

6.1	SALES CONDITIONS	138
-----	------------------------	-----

1.1.1 Symbols

Physical dimension	Symbol	Symbol units of measure	Input	Output
Power	P	[kW]	P ₁	P ₂
Requested power	Pr	[kW]	Pr ₁	Pr ₂
Nominal power	Pn	[kW]	Pn ₁	Pn ₂
Torque	M	[Nm]	M ₁	M ₂
Nominal torque	Mn	[Nm]	/	Mn ₂
Requested torque	Mr	[Nm]	Mr ₁	Mr ₂
Speed	n	[rpm]	n ₁	n ₂
Force	F	[N]	/	/
Radial load	Fr	[N]	Fr ₁	Fr ₂
Axial load	Fa	[N]	Fa ₁	Fa ₂
Reduction ratio	i	[]	/	/
Dynamic efficiency	η _d	[]	/	/
Service factor	f.s.	[]	/	/
Static	s	[]	/	/
Dynamic	d	[]	/	/
Calculated	c	[]	/	/
Maximum	max	[]	/	/
Minimum	min	[]	/	/
Moment of inertia	J	[kgm ²]	J ₁	J ₂
Ambient temperature	T _{amb}	[°C]	/	/
Dimension		[mm]	/	/
Angular backlash	y	[arcmin]	y ₁	y ₂

1.1.2 Formulas

REDUCER		
Starting or stopping time	$t = v / a$	[s]
Velocity in rotary motion	$v = \pi * d * n / 60$ $v = \omega * r$	[m/s]
Speed velocity Angular velocity	$n = 60 * v / (\pi * d)$ $\omega = v / r$	[rpm] [rad/s]
Acceleration or deceleration according to a starting / stopping time	$a = v / t$	[m/s ²]
Angular acceleration	$\alpha = n / (9,55 * t)$ $\alpha = \omega / t$	[rad/s ²]
Starting or stopping distance (according to acceleration / deceleration or angular velocity)	$s = a * t^2 / 2$ $s = v * t / 2$	[m]
Horizontal translation force	$F = \mu * m * g$	[N]
Vertical translation force (lifting)	$F = m * g$	
Inclined plane translation force	$F = m * g (\mu * \cos\beta + \sin\beta)$	
m= mass [kg]; g= gravity acceleration [m/s ²]; μ = friction coefficient; β = angle of inclination		
Moment of inertia	$J = m * v^2 / \omega^2$	[kgm ²]
Torque	$M = F * d / 2$ $M = J * \omega / t$	[Nm]

MOTOR and GEARMOTOR		
Starting time	$t_a = (J_{ext} + J_m) * n_n / 9,55 + (M_{peak} - M_r)$	[s]
Braking time	$t_s = (J_{ext} + J_m) * n_n / 9,55 + (M_{peak} + M_r)$	[s]
Motor rotation angle during starting	$\varphi = n_n * t_a / 19,1$	[rad]
Motor rotation angle during braking	$\varphi = n_n * t_s / 19,1$	[rad]
Power available at the shaft of single phase motor	$P = V * I * \eta * \cos\omega$	[W]
Power available at the shaft of three phase motor	$P = 1,73 * V * I * \eta * \cos\omega$	[W]

RUNNING at 60Hz		
Speed velocity at 60Hz	$n_{60Hz} = 1,2 * n_{50Hz}$	[rpm]
Power at 60Hz	$P_{1\ 60Hz} = P_{1\ 50Hz} * V_{60Hz} / V_{50Hz}$	[kW]
If input voltage at 60 Hz (V_{60Hz}) corresponds to winding voltage at 50 Hz (V_{50Hz}), power doesn't change $P_{1\ 60Hz} = P_{1\ 50Hz}$		
If input voltage at 60 Hz (V_{60Hz}) is 20% higher than winding voltage at 50 Hz (V_{50Hz}), power increases by 20% $P_{1\ 60Hz} = 1,2 P_{1\ 50Hz}$		
Torque at 60Hz	$M_{60Hz} = M_{50Hz} * P_{1\ 60Hz} / (1,2 * P_{1\ 50Hz})$	[Nm]
Service factor at 60Hz	$f.s_{60Hz} = f.s_{50Hz} * 1,175 * P_{1\ 50Hz} / P_{1\ 60Hz}$	-

For correctly selecting a gear reducer or geared motor, several essential pieces of data are required:

- A. The rotational input speed to the gear reducer (n_1) and the rotational output speed (n_2). Through these two values it is possible to calculate the reduction ratio (i) of the gear reducer using the following formula: $i=n_1/n_2$
- B. The torque required by the application (Mr_2).

The geared motor or gear reducer can be selected once this data is known.

This guide helps you to select the right product in just a few steps:

Geared motor selection

1. Determine the application's actual service factor (**s.f.**). This parameter depends on the type of load of the powered machine, the number of starts per hour and the hours of operation (refer to the "Service factor" paragraph).
2. Calculate the input power Pr_1 using the required torque value Mr_2 , the speed n_2 and dynamic efficiency value. $Pr_1=(Mr_2*n_2)/(9550*\eta_d)$. The dynamic efficiency value depends on the type of gear reducer and on the number of gear reduction stages. (To calculate the efficiency value see its page).
3. Consult the geared motor performance tables and identify a normalised power value Pn_1 exceeding the required power Pr_1 , such that: $Pn_1 \geq Pr_1$
4. Once the suitable nominal power has been identified, select the geared motor capable of generating the rotational speed closest to the desired n_2 value and with service factor s.f. greater or equal to that required by the application.

In the geared motor selection tables the combinations include 2-pole, 4-pole and 6-pole motors powered at 50Hz.

Gear reducer selection

1. Determine the application's service factor (**s.f.**) (consult to the "Service factor" paragraph on its page) .
2. Calculate the reduction ratio i from the requested output speed n_2 and from the input speed n_1 . $i=n_1/n_2$
3. Calculate the torque M_{c_2} for selecting the gear reducer through the torque required by the application Mr_2 and the service factor s.f.: $M_{c_2}=Mr_2*(f.s.)$
4. Consult the Gear Reducer Performance tables looking for the reducer that, with the reduction ratio closer to the calculated one, has a nominal torque M_{n_2} so that: $M_{n_2} \geq M_{c_2}$

Checks

Once the gear reducer or geared motor has been selected, the following checks should be performed:

A. Thermal power

The gear reducer's thermal power must be equal to or greater than the installed mechanical power, or the power required by the application according to the indications contained in the section (refer to the "Thermal power" paragraph).

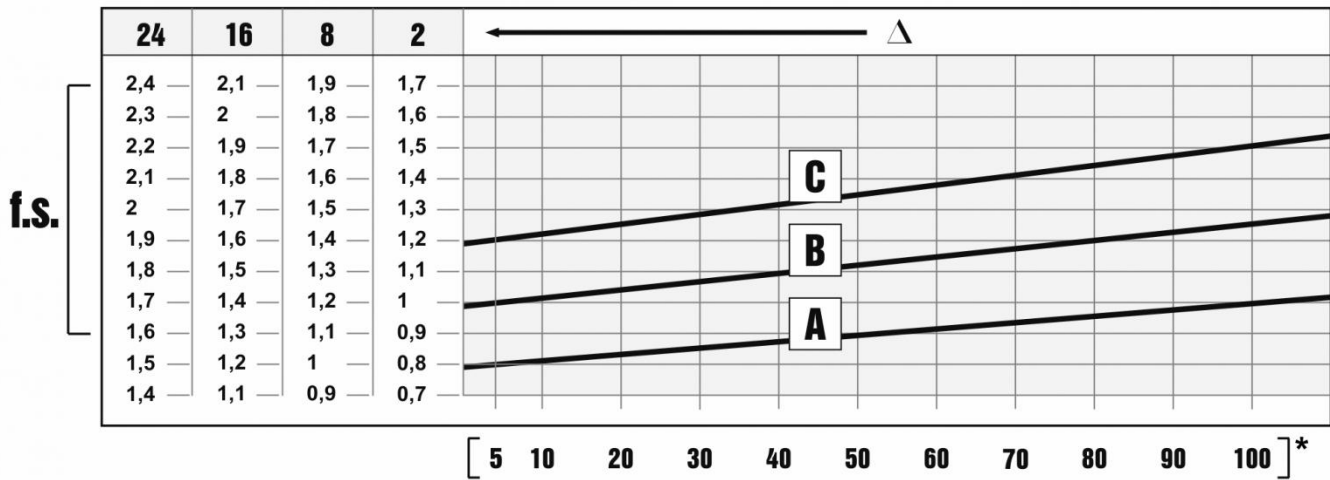
B. Maximum torque

Generally, the maximum torque (peak instantaneous load) that can be applied to the gear reducer must not exceed 200% of the nominal torque M_{n_2} (ATEX - M_{2max}).

C. Radial loads

1. Verify that the radial loads acting on the input and/or output shafts are within with the values indicated in the catalogue. If they exceed these values, increase the size of the gear reducer or modify the external load capacity. During the checking phase, it is important to remember that the values indicated in the catalogue refer to loads acting on the mid-point of the shaft protrusion, therefore, if the load is applied to a different position, appropriate formulas must be used to calculate the admissible load in the desired position (refer to the "Radial loads" paragraph).
2. If accessory output shafts are present, make sure that the applied load is compatible with shaft size. If help is needed: contact MOTOVARIO S.A.U. TECHNICAL SERVICE.

D. If an electric motor is going to be fitted to the selected gear reducer, check for its applicability by referring to the configuration table (see paragraph "Motor flange availability"). From IEC 180 motors, verify if necessary to support the motor with feet. In case of need please contact MOTOVARIO S.A.U. TECHNICAL SERVICE.



The service factor (f.s.) depends on the operating conditions the gear reducer is subjected to. The parameters that need to be taken into consideration to select the most adequate service factor correctly comprise:

- type of load of the operated machine : A - B - C
- length of daily operating time: hours/day (Δ)
- start-up frequency: starts/hour (*)

LOAD:

- **A** - uniform = $f_a \leq 0,3$
- **B** - moderate shocks = $f_a \leq 3$
- **C** - heavy shocks = $f_a \leq 10$

$f_a = J_e/J_m$

- J_e [kgm^2] moment of reduced external inertia at the drive-shaft
- J_m [kgm^2] moment of inertia of motor

If $f_a > 10$ call our Technical Service.

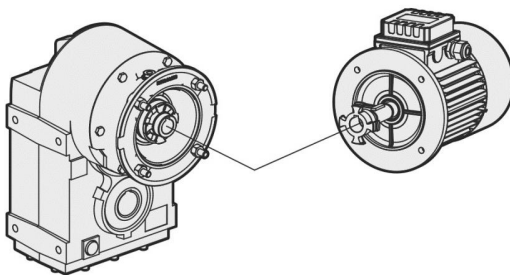
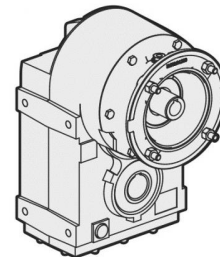
- Screw feeders for light materials, fans, assembly lines, conveyor belts for light materials, small mixers, lifts, cleaning machines, fillers, control machines.
- Winding devices, woodworking machine feeders, goods lifts, balancers, threading machines, medium mixers, conveyor belts for heavy materials, winches, sliding doors, fertilizer scrapers, packing machines, concrete mixers, crane mechanisms, milling cutters, folding machines, gear pumps.
- Mixers for heavy materials, shears, presses, centrifuges, rotating supports, winches and lifts for heavy materials, grinding lathes, stone mills, bucket elevators, drilling machines, hammer mills, cam presses, folding machines, turntables, tumbling barrels, vibrators, shredders.

To install the gear reducer it is necessary to note the following recommendations:

- Check the correct direction of rotation of the gear reducer output shaft before fitting the unit to the machine.
- In the case of particularly lengthy periods of storage (4/6 months), if the oil seal is not immersed in the lubricant inside the unit, it is recommended to change it since the rubber could stick to the shaft or may even have lost the elasticity it needs to function properly.
- Whenever possible, protect the gear reducer against solar radiation and bad weather.
- Ensure the motor cools correctly by ensuring good passage of air from the fan side.
- In the case of ambient temperatures $< -5^{\circ}\text{C}$ or $> +40^{\circ}\text{C}$ call the Technical Service.
- The various parts (pulleys, gear wheels, couplings, shafts, etc.) must be mounted on the shafts using special threaded holes or other systems that anyhow ensure correct operation without risking damage to the bearings or external parts of the units. Lubricate the surfaces in contact to avoid seizure or oxidation.
- Painting must definitely not go over rubber parts and the holes on the breather plugs, if any.
- For units equipped with oil plugs, replace the closed plug used for shipping with the special breather plug.
- Check the correct level of the lubricant through the indicator, if there is one.
- Starting must take place gradually, without immediately applying the maximum load.
- When there are parts, objects or materials under the motor drive that can be damaged by even limited spillage of oil, special protection should be fitted.

Assembling motor on pam flange

When the unit is supplied without motor, it is necessary to follow these recommendation to ensure the correct assembly of the electric motor. Check that the tolerances for the motor shaft and flange correspond to the "standard". Carefully clean the shaft, spigot and surfaces of the flange removing traces of paint and dirt, and confirm the key is fitted correctly. Fit the half coupling/sleeve to the motor shaft (see picture) taking care to ensure the motor shaft and bearings are not damaged by avoiding excessive force and where necessary using assembly equipment. Place the couplings elastic element onto the motor half coupling and position the motor up to the gear unit ensuring the coupling element is aligned with the driven half coupling. Complete the assembly using the fixing bolts. Key-ways with tightened tolerances.

Flexible joint**PAM Sleeve**

GEAR SOLUTIONS products are supplied with the following surface treatment features:

Grey-coloured cast-iron cases for gears

- Die-cast materials are always painted.

Grey-coloured cast-iron inspection cover

- The gear reducer DXS... series with 2, 3 stages size 600 are supplied with grey-coloured cast-iron closing cover and a metal nameplate printed.

Painting specifications:

- Orange-peel blue epoxy-polyester RAL 5010. Polyester resin based heat-hardening powders, altered with epoxy resins.

Mechanical properties

- Tests carried out onto degreased Unichim white lattens (film thickness: 60 microns) comply with the following specifications: adherence (ISO2409).

Heat resistance

- 24 HOURS AT 150°C.

Corrosion strength

- ASTM B 117/97 salt fog from 100 to 500 hours depending on the support's preliminary treatment.

Performance:

- Loading capacity in accordance with DIN 3990, ISO 6336, AGMA 2101, ISO 10300, DIN 3991, ISO 281, DIN 743.

Efficiency η :

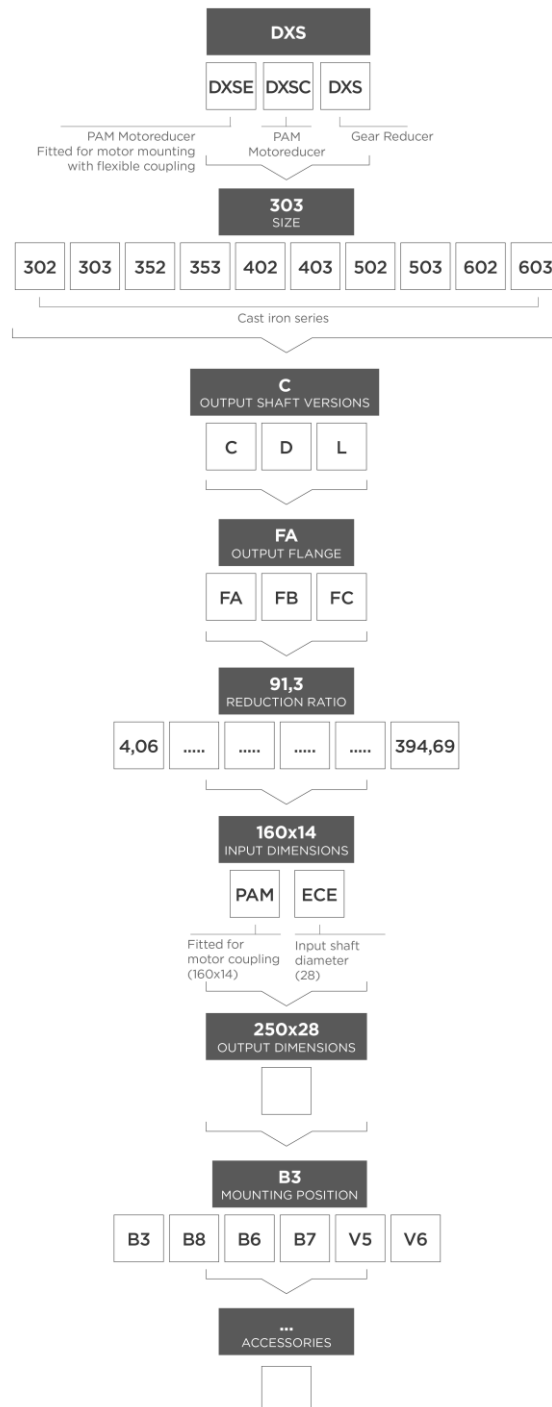
- The efficiency is the ratio between the output power P_2 and the power absorbed by the gear reducer P_1 : $\eta = P_2 / P_1$.

DXS-range shaft-mounted reducers have an average value equal to:

DXS..2 stages = 0,96

DXS..3 stages = 0,94

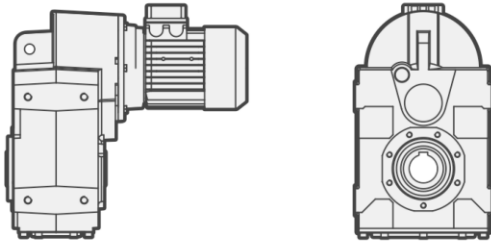
2.2.1 Designation



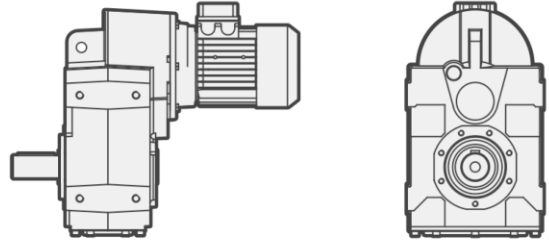
2.2.2 Versions

302/3 - 352/3 - 402/3 - 502/3 - 602/3 - 702/3 - 802/3

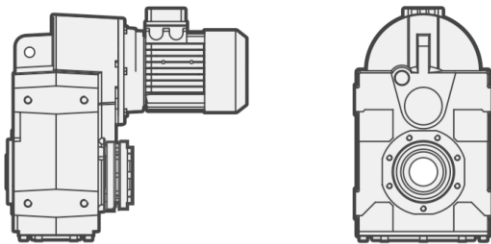
FOOT-FLANGE MOUNTING / HOLLOW SHAFT C



FOOT-FLANGE MOUNTING / D SOLID SHAFT D

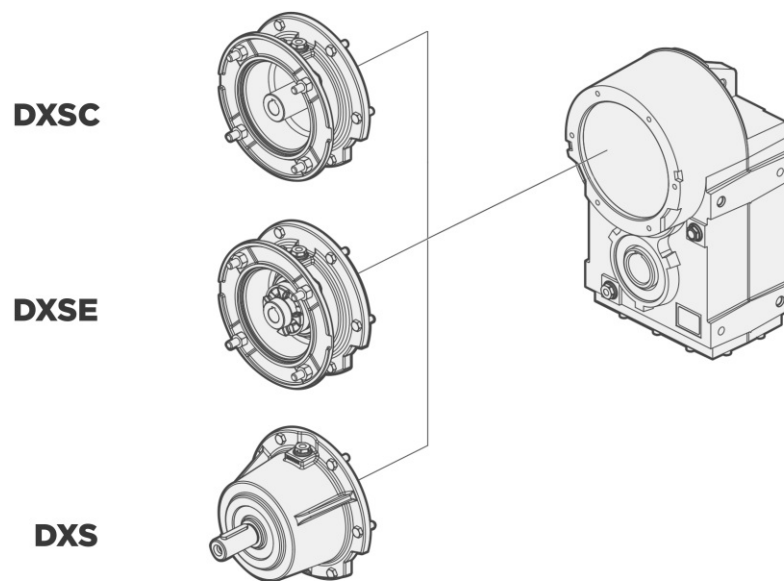


FOOT-FLANGE MOUNTING / SHRINK DISC SHAFT L



2.2.3 Modularity

DXS GREY CAST IRON SERIES

**DXSC****DXSE****DXS****DXSC**

Fitted for motor coupling version
(PAM)

DXSE

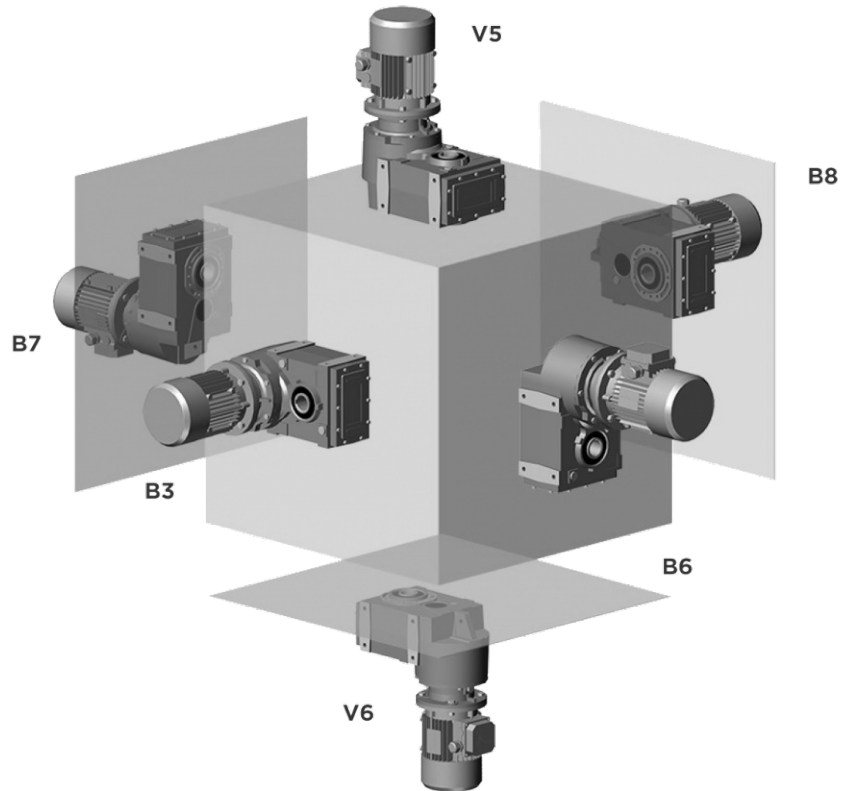
Fitted for motor mounting
with flexible coupling

DXS

Input shaft versions

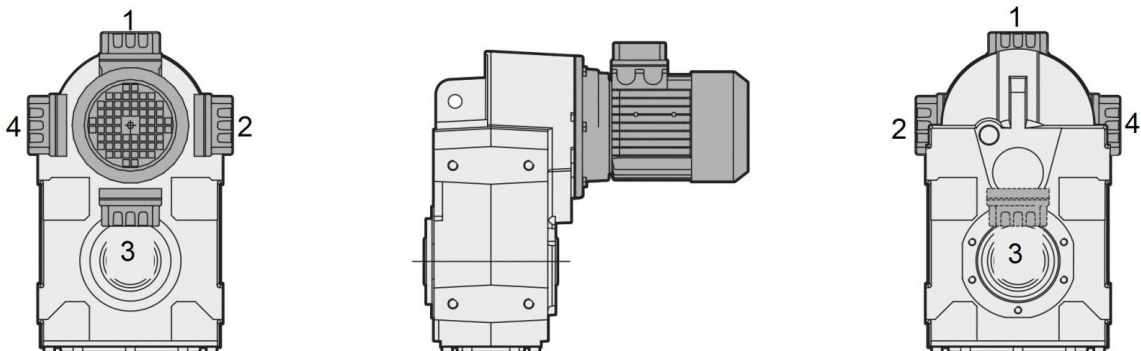
2.3.1 Mounting positions

The mounting position of the gear unit identifies its space orientation. B3 mounting position, as from a technical point of view, ensures lower oil splash, better lubrication and less heating.



2.3.2 Position of terminal box

Unless otherwise specified when ordering, the gear reducer is supplied with terminal box in position 1.



2.4.1 Information

The scheme below indicates the nominal thermal power capacity P_{th} [kW] according to the following conditions:

- mounting position B3
- continuous operation at input speed ≤ 1500 rpm
- environment temperature $T_{amb}=25^{\circ}\text{C}$
- sea level altitude
- air speed around the gear reducer $\geq 1\text{m/s}$
- absence of external radial and/or axial loads

$n_1=1500\text{rpm}$	
	P_{th} [kW]
DXS302	7
DXS352	9,5
DXS402	15,5
DXS502	20,5
DXS602	34,5

A correct lubrication and a proper running condition of the gearbox are guaranteed only applying an input power not exceeding P_{th} (at the above reference conditions)($T_{oil\ max}=95^{\circ}\text{C}$).

NOTE: Normally, three stages gearboxes do not require thermal power verification because the thermal rating usually exceed the mechanical one.

2.4.2 Verification

Application check

Except for continuous operating times below two hours and successive pauses capable of bringing the gear reducer back to ambient temperature, for each application it is peremptory to verify the gear reducer's thermal limit according to the following formula: $P_1 < P_{th} * F_c * F_v * F_a$, where:

- P_1 = input power to the gear reducer [kW]
- P_{th} = thermal power at the reference conditions [kW] (see above table)
- F_c = ambient and operating temperature correction factor
- F_v = ventilation correction factor
- F_a = altitude correction factor

The correction factors refer to different operating conditions compared to the reference conditions, and are provided by the following ISO14179 tables:

Ambient temperature $^{\circ}\text{C}$	F_c	Duty per hour of operation %				
		100	80	70	40	20
10	1,15	1,21	1,32	1,55	2,07	
18	1,07	1,12	1,23	1,44	1,93	
25	1,00	1,05	1,15	1,35	1,80	
30	0,93	0,98	1,07	1,26	1,67	
40	0,83	0,87	0,95	1,12	1,49	
43	0,75	0,79	0,86	1,01	1,35	
50	0,67	0,70	0,77	0,90	1,21	

Altitude (m)	F_a
0*	1
750	0,95
1500	0,9
2250	0,85
3000	0,81

Ventilation correction factor	F_v
Stagnant air (<0,5 m/s)	0.75
Indoor installation with slight ventilation	1
Indoor installation with good ventilation (>1,4 m/s)	1.4
Installazione all'aperto (>3,7 m/s)	1.9

*Sea level

In case of operation at input speeds exceeding 2000 rpm, or ambient temperatures greater than 40°C , it is advisable to contact our technical department.

2.5.1 Critical applications

	DXS				
	302-303	352-353	402-403	502-503	602-603
2000 < n1 < 3000	✓	✓	✓	✓	✓
V6	B	B	B	B	B
n1 > 3000	B	B	B	B	B
...L : V5 - V6	B	B	B	B	B
(*) ...L	B	B	B	B	B

✓ Verified application

A Application not recommended

B Check the application and/or call our technical service

(*) The shrink disc is designed only to transmit the output torque.

In case of mounting position with radial and/or axial loads, please contact the technical support.

2.5.2 Information

The performance given in the catalogue correspond to mounting position B3 or similar, when the first stage is not entirely immersed in oil. For other mounting positions and/or particular input speeds, refer to the tables that highlight different critical situations for each size of gear reducer. It is also necessary to take due consideration of and carefully assess the following applications by calling our Technical Service:

- To avoid the use as multiplier.
- Use in services that could be hazardous for people if the gear reducer fails.
- Applications with especially high inertia.
- Use as a lifting winch.
- Applications with high dynamic strain on the case of the gear reducer.
- In places with T_{amb} under -5°C or over 40°C .
- Use in chemically aggressive environments.
- Use in a salty environment.
- Mounting positions not envisaged in the catalogue.
- Use in radioactive environments.
- Use in environments pressures other than atmospheric pressure.

Avoid applications where even partial immersion of the reducer is required.

In the presence of overloading due to full load, braking, shocks or other static and dynamic causes, please verify that the peak torque is less than $2 \cdot M_{n2}$.

2.6 MOTOR FLANGE AVAILABILITY

These tables report all possible dimensions. Please verify service factor.

*For motor size 063 the DXSE version does not exist.

#Ratio not existent for version IS.

DXSC - DXSE 302				
i	071	080	090	100-112
8,63	B5	B5	B5	B5
11,14	B5	B5	B5	B5
12	B5	B5	B5	B5
13,66	B5	B5	B5	B5
15,27	B5	B5	B5	B5
16,29	B5	B5	B5	B5
18,63	B5	B5	B5	B5
19,73	B5	B5	B5	B5
21,04	B5	B5	B5	B5
21,53	B5	B5	B5	B5
24,07	B5	B5	B5	B5
25,2	B5	B5	B5	B5
25,79	B5	B5	B5	B5
27,81	B5	B5	B5	B5
30	B5	B5	B5	
32,55	B5	B5	B5	B5
33	B5	B5	B5	
34,09	B5	B5	B5	B5
36,55	B5	B5	B5	
38,75	B5	B5	B5	
39,9	B5	B5	B5	B5
42,63	B5	B5	B5	
46	B5	B5	B5	
47,2	B5	B5	B5	
52,25	B5	B5	B5	
57,86	B5	B5	B5	
59,42	B5	B5	B5	
72,83	B5	B5	B5	

DXSC - DXSE 303				
i	*063	071	080	090
36,5	B5	B5	B5	B5
47,14	B5	B5	B5	B5
57,79	B5	B5	B5	B5
63,74	B5	B5	B5	B5
78,14	B5	B5	B5	B5
74,2	B5	B5	B5	B5
95,84	B5	B5	B5	B5
117,48	B5	B5	B5	B5
137,45	B5	B5	B5	B5
177,55	B5	B5	B5	B5
198,45	B5	B5	B5	
217,64	B5	B5	B5	B5
256,33	B5	B5	B5	
314,21	B5	B5	B5	

2.6 MOTOR FLANGE AVAILABILITY

DXSC - DXSE 352				
i	071	080	090	100-112
8		B5	B5	B5
8,92		B5	B5	B5
9,55		B5	B5	B5
10,65		B5	B5	B5
11,71		B5	B5	B5
13,06		B5	B5	B5
13,36		B5	B5	B5
15,94		B5	B5	B5
16,16		B5	B5	B5
19,29		B5	B5	B5
19,55		B5	B5	B5
23,18	B5	B5	B5	B5
23,75	B5	B5	B5	B5
25,14	B5	B5	B5	B5
27,66	B5	B5	B5	B5
30	B5	B5	B5	B5
33,93	B5	B5	B5	B5
36,57	B5	B5	B5	B5
39,38	B5	B5	B5	B5
43,64	B5	B5	B5	B5
46,1	B5	B5	B5	
48,3	B5	B5	B5	B5
53,53	B5	B5	B5	B5
55	B5	B5	B5	
67,47	B5	B5	B5	

DXSC - DXSE 353			
i	071	080	090
33,57	B5	B5	B5
37,77	B5	B5	B5
40,05	B5	B5	B5
49,13	B5	B5	B5
55,29	B5	B5	B5
58,72	B5	B5	B5
65,85	B5	B5	B5
68,25	B5	B5	B5
73,63	B5	B5	B5
81,43	B5	B5	B5
99,89	B5	B5	B5
126,43	B5	B5	B5
150,85	B5	B5	B5
182,53	B5	B5	B5
185,05	B5	B5	B5
217,79	B5		
267,16	B5		

DXSC - DXSE 402				
i	080	090	100-112	132
7,34	B5	B5	B5	B5
8,06	B5	B5	B5	B5
9,94	B5	B5	B5	B5
11,61	B5	B5	B5	B5
12,75	B5	B5	B5	B5
14,04	B5	B5	B5	B5
15,43	B5	B5	B5	B5
15,73	B5	B5	B5	B5
17,29	B5	B5	B5	B5
19,03	B5	B5	B5	B5
20,14	B5	B5	B5	B5
22,13	B5	B5	B5	B5
24	B5	B5	B5	B5
26,05	B5	B5	B5	B5
27,29	B5	B5	B5	B5
28,67	B5	B5	B5	B5
29,6	B5	B5	B5	B5
31,78	B5	B5	B5	B5
34,91	B5	B5	B5	B5
35,5	B5	B5	B5	
40,05	B5	B5	B5	B5
43,05	B5	B5	B5	B5
50,25	B5	B5	B5	
54,27	B5	B5	B5	
61,98	B5	B5	B5	

DXSC - DXSE 403				
i	071	080	90	100-112
67,52		B5	B5	B5
74,18		B5	B5	B5
81,71		B5	B5	B5
91,49		B5	B5	B5
100,62		B5	B5	B5
117,17	B5	B5	B5	
128,73	B5	B5	B5	
136,34	B5	B5	B5	B5
158,76	B5	B5	B5	
184,88	B5	B5	B5	
203,11	B5	B5	B5	
205,34	B5	B5	B5	B5
226,04	B5	B5	B5	B5
250,5	B5	B5	B5	
266,13	B5	B5	B5	
292,36	B5	B5	B5	
315,73	B5	B5	B5	
360,58	B5	B5	B5	

2.6 MOTOR FLANGE AVAILABILITY

DXSC - DXSE 502					
i	080	090	100-112	132	160
8,06	B5	B5	B5	B5	B5
8,85	B5	B5	B5	B5	B5
10,88	B5	B5	B5	B5	B5
12,75	B5	B5	B5	B5	B5
13,99	B5	B5	B5	B5	B5
15,43	B5	B5	B5	B5	
17,21	B5	B5	B5	B5	B5
19	B5	B5	B5	B5	
20,83	B5	B5	B5	B5	
22,13	B5	B5	B5	B5	
24,28	B5	B5	B5	B5	
26,33	B5	B5	B5	B5	
29,87	B5	B5	B5	B5	
32,4	B5	B5	B5	B5	
34,91	B5	B5	B5	B5	
38,3	B5	B5	B5	B5	
42,53	B5	B5	B5	B5	
44	B5	B5	B5		
47,13	B5	B5	B5	B5	
50,25	B5	B5	B5		
55,14	B5	B5	B5		
59,4	B5	B5	B5		
67,84	B5	B5	B5		

DXSC - DXSE 503				
i	071	080	090	100-112
74,18		B5	B5	B5
81,39		B5	B5	B5
89,77		B5	B5	B5
100,15		B5	B5	B5
110,55	B5	B5	B5	B5
121,29	B5	B5	B5	B5
128,73	B5	B5	B5	B5
141,24	B5	B5	B5	B5
173,78	B5	B5	B5	B5
188,51	B5	B5	B5	B5
203,11	B5	B5	B5	B5
222,85	B5	B5	B5	B5
224,76	B5	B5	B5	B5
274,2	B5	B5	B5	B5
280,89	B5	B5	B5	
292,36	B5	B5	B5	
320,79	B5	B5	B5	
345,6	B5	B5	B5	
394,69	B5	B5	B5	

DXSC - DXSE 602							
i	080	090	100-112	132	160	180	200
8,48					B5	B5	B5
9,3					B5	B5	B5
10,24					B5	B5	B5
11,42					B5	B5	B5
12,63					B5	B5	B5
13,84					B5	B5	B5
16,99					B5	B5	B5
21,25			B5	B5	B5	B5	
22,37			B5	B5	B5	B5	
23,29			B5	B5	B5	B5	
26,15			B5	B5	B5	B5	
28,6			B5	B5	B5	B5	
30,51			B5	B5	B5	B5	
32,76			B5	B5	B5	B5	
33,44			B5	B5	B5	B5	
35,2			B5	B5	B5	B5	
41,07			B5	B5	B5	B5	
43,6	B5	B5	B5	B5			
44,63	B5	B5	B5	B5			
49,04	B5	B5	B5	B5			
53,75	B5	B5	B5	B5			
66	B5	B5	B5	B5			

DXSC - DXSE 603				
i	080	090	100-112	132
64,84			B5	B5
71,07			B5	B5
78,46			B5	B5
87,27			B5	B5
105,91			B5	B5
112,52	B5	B5	B5	B5
123,33	B5	B5	B5	B5
130,04	B5	B5	B5	B5
133,78	B5	B5	B5	B5
151,43	B5	B5	B5	B5
177,53	B5	B5	B5	B5
194,59	B5	B5	B5	B5
215,6	B5	B5	B5	B5
238,93	B5	B5	B5	B5
# 255,54	B5	B5	B5	
# 280,10	B5	B5	B5	
# 301,16	B5	B5	B5	
# 343,93	B5	B5	B5	

DXS	DXS 302-303		DXS 352-353		DXS 402-403		DXS 502-503		DXS 602-603	
Versions	Standard	On request	Standard	On request	Standard	On request	Standard	On request	Standard	On request
C	1	/	1	2	1 (Ø40)	2 (Ø40)	1	2	1	2
					/	1 (Ø45)				
D	1	/	1	/	2	/	2	/	2	/
L	1	/	1	/	1	/	1	/	1	/

1 - Ball Bearing

2 - Roller bearings

/ - Not available

2.8.1 Information

The value of the admissible radial load [N] is given in the tables relating to the performance of the gear reducer at issue. It is related to the load applied on the centre line of the shaft and in the most unfavourable conditions of angle of application and direction of rotation. The maximum admissible axial loads are 1/5 of the value of the given radial load when they are applied in combination with the radial load. The tables relating to the output shafts give the maximum admissible value. This value must never be exceeded since it relates to the strength of the case. Particular conditions of radial load higher than the limits of the catalogue may occur. In this case, call our Technical Service and provide details on the application: direction of the load, direction of rotation of the shaft, type of service. In case of double extension shafts with radial load applied on both ends, the max. admissible radial loads must be defined according to the specific running conditions, in this case call our Technical Service. The radial load on the shaft is calculated with the following formula:

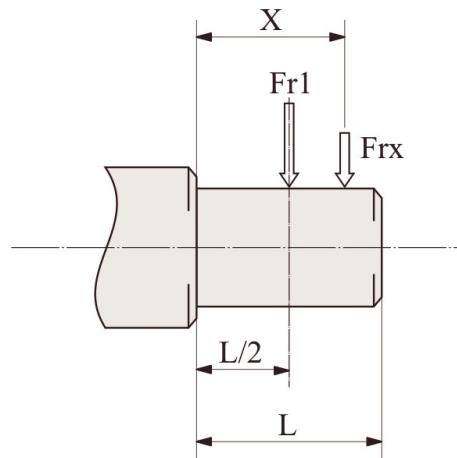
$$Fr_e = (2000 \cdot M \cdot fz) / D \leq Fr_1 \text{ or } Fr_2$$

- **Fr_e** [N] Resulting radial load
- **M** [Nm] Torque on the shaft
- **D** [mm] Diameter of the transmission member mounted on the shaft
- **Fr₁-Fr₂** [N] Value of the maximum admitted radial load (see relative tables)
- **fz** = 1,1 gear pinion - 1,4 chain wheel - 1,7 v-pulley - 2,5 flat pulley

2.8.2 Input

When the radial load is not on the centre line of the shaft, it is necessary to adjust the admissible radial load Fr₁ with the following formula: $Fr_x = (Fr_1 \cdot a) / (b + x)$

- **a**, **b** = values given in the tables
- **x** = distance from the point of application of the load to the shaft shoulder



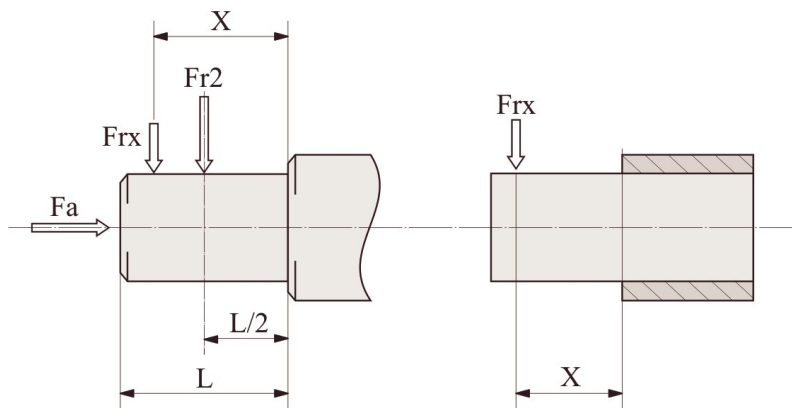
	DXS				
	302-303	352-353	402-403	502-503	602-603
a	105	105	137	137	175
b	80	80	108	108	135
Fr ₁ max (**)	1500	2500	3600	3600	7200

(**Fr₁ max) Max admissible value of the reducer in static conditions and/or for limited operations. For continuous overhung loads please check the values on the performances tables calculated according to the casing, the shaft and bearings.

2.8.3 Output

When the radial load is not on the centre line of the shaft, it is necessary to adjust the admissible radial load Fr_2 with the following formula: $Fr_x = (Fr_2 \cdot a) / (b + x)$

- a , b = values given in the tables
- x = distance from the point of application of the load to the shaft shoulder



	DXS				
	302-303	352-353	402-403	502-503	602-603
a	125	145	190	225	265
b	96	116	150	175	202
D (Fr2 max^{**})	6000	10000	18000	22000	30000
C (Fr2 max^{**})	6000	4000	7200	9000	11200

(**Fr2 max) Max admissible value of the reducer in static conditions and/or for limited operations. For continuous overhung loads please check the values on the performances tables calculated according to the casing, the shaft and bearings.

2.9.1 Information

In cases of ambient temperatures not envisaged in the table, contact MOTOVARIO TECHNICAL SERVICE. In the case of temperatures under -30°C or over 60°C it is necessary to use oil seals with special properties. For operating ranges with temperatures under 0°C it is necessary to consider the following:

1. The motors need to be suitable for operation at the envisaged ambient temperature.
2. The power of the electric motor needs to be adequate for exceeding the higher starting torques required.
3. In case of cast-iron gear reducers, pay attention to impact loads since cast iron may have problems of fragility at temperatures under -15°C .
4. During the early stages of service, problems of lubrication may arise due to the high level of viscosity taken on by the oil and so it is wise to have a few minutes of rotation under no load.

Oil (NON Atex products) must be changed after approx. 10000 hours/2 years of operation; this time varies based on the type of service and on the environment inside which the gear reducer is installed. Units not featuring any oil plug are life-lubricated, and therefore maintenance-free.

2.9.2 Lubricants

Specifications of lubricants recommended by MOTOVARIO S.A.U.

The units **DXS 302/3 ÷ 502/3** are supplied with LAND OIL GEAR POWER 220 oil, unless otherwise specified by the client.

The units **DXS 602/3 ÷ 802/3** are supplied without lubricant.

	DXS 302 ÷ 603	
	Mineral oil	
$T_{\text{amb}}^{\circ}\text{C}$ ISO	$(-5) \div (+40)$ ISO VG220	$(-15) \div (+25)$ ISO VG150
LAND OIL	GEAR POWER 220	-
ENI	BLASIA 220	BLASIA 150
SHELL	OMALA S2 G 220	OMALA S2 G 150
KLUBER	Kluberoil GEM 1-220N	Kluberoil GEM 1-150N
MOBIL	MOBILGEAR 600 XP220	MOBILGEAR 600 XP150
CASTROL	ALPHA SP 220	ALPHA SP 150
BP	ENERGOL GR-XP220	ENERGOL GR-XP150
PETRONAS	GEAR MEP 220	GEAR MEP 150

2.9.3 Special lubricants

	$T_{amb}^{\circ C}$	Polyglycol synthetic oil
LAND OIL	(-30) ÷ (+30)	Gear Sint XS 150 (ISO VG150)
	(-20) ÷ (+40)	Gear Sint XS 220 (ISO VG220)
ENI	(-30) ÷ (+30)	Blasia S 150 (ISO VG150)
	(-20) ÷ (+40)	Blasia S 220 (ISO VG220)
MOBIL	(-45) ÷ (+0)	SHC 624 (ISO VG32)
	(-40) ÷ (+5)	SHC 626 (ISO VG68)
KLUBER	(-40) ÷ (+5)	Klubersynth GH 6-32 (ISO VG32)
	(-35) ÷ 10)	Klubersynth GH 6-80 (ISO VG80)
	(-30) ÷ (+40)	Klubersynth GH 6-150 (ISO VG150)
	(-25) ÷ (+40)	Klubersynth GH 6-220 (ISO VG220)
	(-15) ÷ (+50)	Klubersynth GH 6-460 (ISO VG460)
	(-10) ÷ (+70)	Klubersynth GH 6-680 (ISO VG680)
	$T_{amb}^{\circ C}$	Polyglycol synthetic oil for food grade
KLUBER	(-30) ÷ (+15)	Klubersynth UH1-6 100 (ISO VG100)
	(-25) ÷ (+40)	Klubersynth UH1-6 220 (ISO VG220)
	(-15) ÷ (+40)	Klubersynth UH1-6 320 (ISO VG320)
	(-15) ÷ (+50)	Klubersynth UH1-6 460 (ISO VG460)
	(-10) ÷ (+50)	Klubersynth UH1-6 680 (ISO VG680)

$T_{amb}^{\circ C}$ - Ambient operating temperature.

If 'special' lubricant is required please contact TECHNICAL SERVICE.

2.9.4 Quantity

- For the gear reducers DXS ... series with 2, 3 stages it is always necessary to specify the envisaged position.
- DXS 302/303, 352/353 gear reducers are supplied complete with lubricant, have no oil plugs and need no maintenance.
- DXS 402/403, 502/503 gear reducers are supplied complete with lubricant and are fitted with oil plugs to suit any mounting position included in the catalogue.
- DXS 602/603 gear reducers are supplied without lubricant.

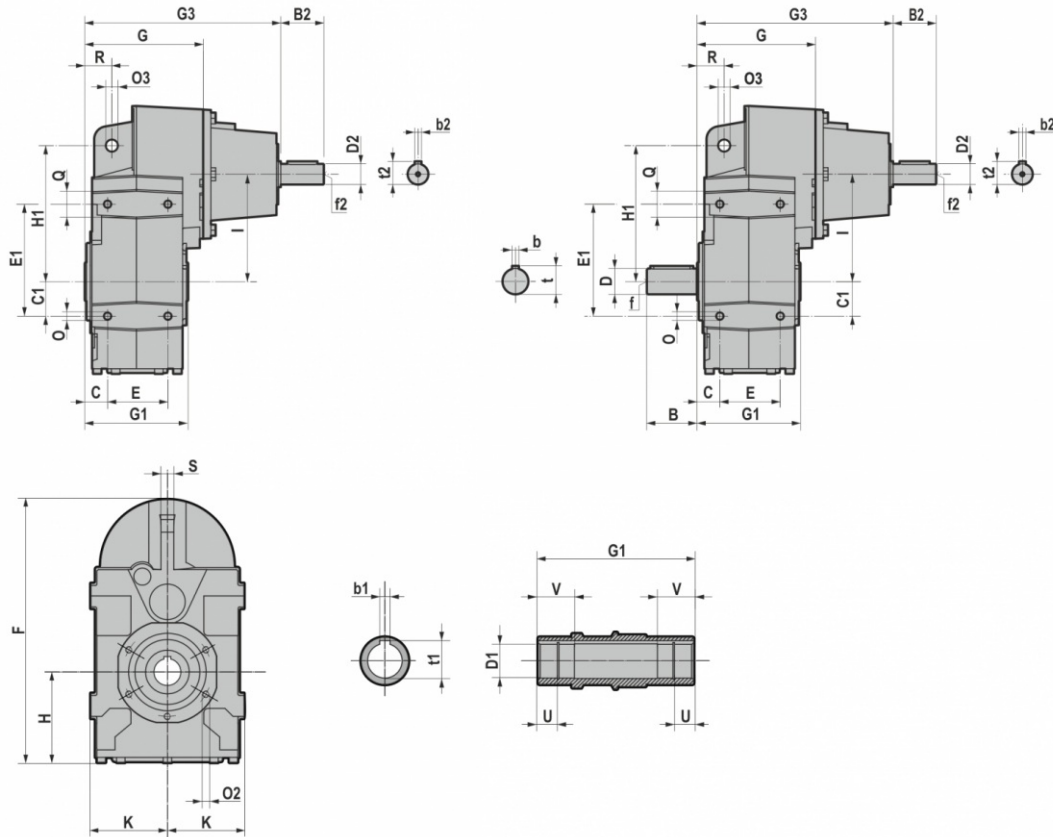
Oil quantity in the table (litres ~) are indicative; for a proper use you will have to refer to the level plug or the dipstick. Any level difference could depend on construction tolerances, but also by the placement of the unit or by the mounting surface at the customer's premises. It is appropriate to check and, if necessary, restores the level when the units are installed.

	DXS				
	302/303	352/353	402/403	502/503	602/603
B3	2,05	2,4	6	9	14,7
B8	1,8	2,3	4	6	11,8
B6	2,4	2,9	5,7	8	16
B7	2,1	2,6	4,5	6,8	11,3
V5	2,8	3,5	6,8	10,3	19
V6	2,4	2,9	6,4	9,9	18

The following values of J1 moment of inertia are only estimated, referred to the maximum calculated, and to the gearbox input side.

DXS-2/3	J₁ [Kg*m²]
302/303	0,0004
352/353	0,0006
402/403	0,0015
502/503	0,0034
602/603	0,0085

3.1.2 DXS 302...603

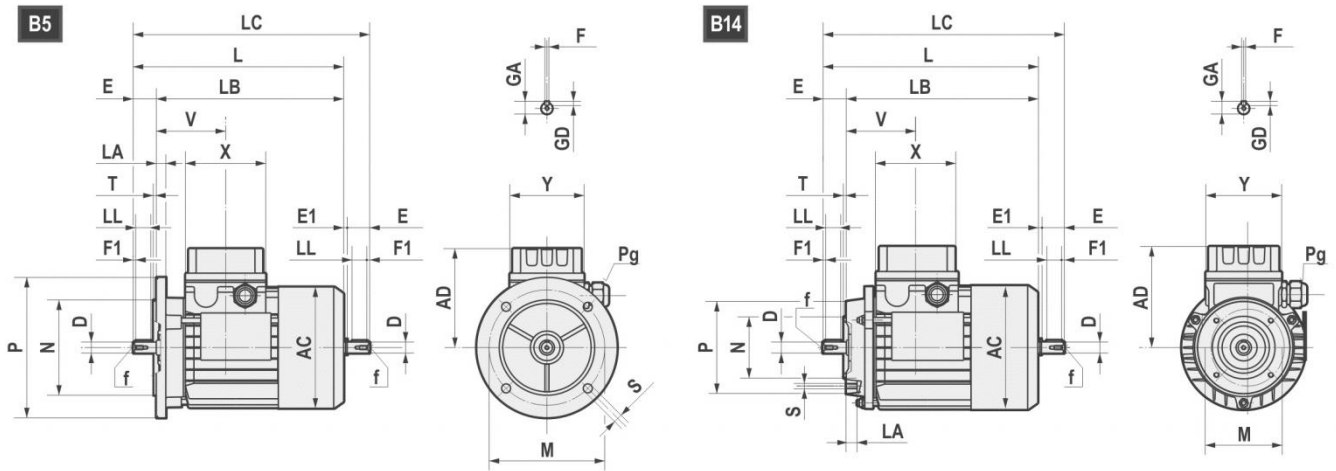


DXS..	D1 H7	b1	t1	U	V	B	D	b	t	f	C	C1	E	E1	F	G	G1	H	H1	I	K	O	O3	O2	Q	R	S
302/303	30	8	33	13,8	30	58	30 j6	8	33	M10	27	40	70	130	311	137,5	120	107	158	125	90,5	M10x18	14	M8x16 (n.5)	30	31,5	15
352/353	35	10	38	12	35	58	35 j6	10	38	M12	30	45	80	147	320	158,5	140	97	170	143	96,5	M12x20	14	M8x16 (n.5)	40	32	15
402/403	40	12	43	22,3	42	80	40 k6	12	43	M16	37	60	106	190	383	207	180	107	218	170	112,5	M12x20	14	M10x20 (n.7)	44	41	20
	45	14	(**) 47,6	22,3	42																						
502/503	45	14	49	22,3	50	100	50 k6	14	54	M16	37	70	137	275	426	217,5	210	119	278	180	130	M16x26	22	M12x22 (n.7)	50	50	20
	50	14	54	25	50																						
602/603	60	18	64	28	70	120	60 m6	18	64	M20	43	100	165	310	558	257	240	166	346	235	165	M16x30	22	M14x28 (n.7)	50	62	26
	55	16	59,3																								

DXS...	G3	B2	D2	b2	t2	f2
302/303	227,5	50	24 j6	8	27	M8
352/353	248,5	50	24 j6	8	27	M8
402/403	320	60	28 j6	8	31	M10
502/503	330,5	60	28 j6	8	31	M10
602/603	383,5	80	38 k6	10	41	M12

(**) Low profile key-way.

3.2.1 Electric motors



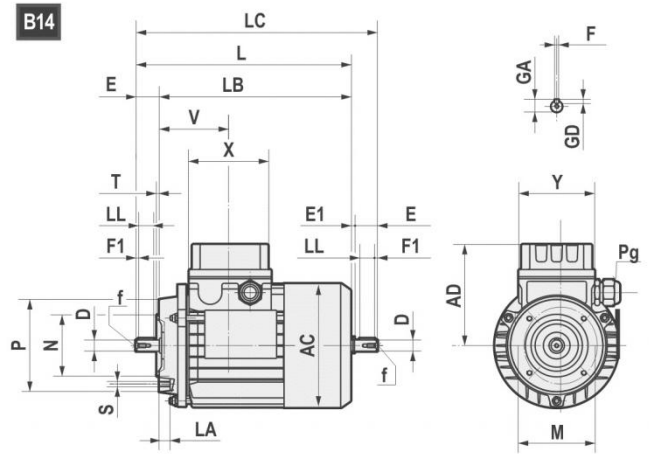
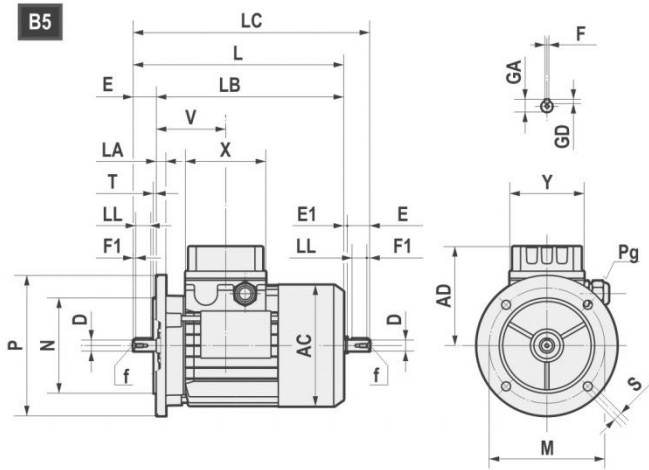
	AC	AD	L	LB	LC	X	Y	V	D	E	E1	f	F1	GA	F	GD
63	121	104	211	188	235,5	80	74	69	11 j6	23	1,5	M4x10	2,5	12,5	4	4
71	139	112	238,5	208,5	271	80	74	74,5	14 j6	30	2,5	M5x12,5	3	16	5	5
80	158	122	272,5 *296	232,5 *256	314 *337	80	74	78	19 j6	40	1,5	M6x16	5	21,5	6	6
90S	173	148	298 *331	248 *281	349,5 *381	98	98	89,5	24 j6	50	1,5	M8x19	5	27	8	7
90L	173	148	323 *356	273 *306	374,5 *408	98	98	89,5	24 j6	50	1,5	M8x19	5	27	8	7
100	191	156	368	308	431,5	98	98	97,5	28 j6	60	3,5	M10x22	7,5	31	8	7
112	211	171	382,5 *408	322,5 *348	447 *472	98	98	100	28 j6	60	3,5	M10x22	7,5	31	8	7
132S	249	195	452	372	536,5	118	118	115,5	38 k6	80	4	M12x28	10	41	10	8
132L	249	195	490	410	574,5	118	118	115,5	38 k6	80	4	M12x28	10	41	10	8
160S	249	195	520	410	/	118	118	115,5	42k6	100	/	M16x36	10	45	12	8

*TP80B4, SH80B4, HSH80B4, TP90S4, SH90S4, HSH90S4, TP90L4, SH90L4, HSH90L4, TP90S6, TP112M4, TP112M6

B5	M	N	P	LA	S	T
63	115	95	140	10	9	3
71	130	110	160	10	9,5	3,5
80	165	130	200	12	11	3,5
90	165	130	200	12	11	3,5
100	215	180	250	15	14	4
112	215	180	250	14,5	14	4
132	265	230	300	20	14	3,5
160	300	250	350	13	18,5	3,5

B14	M	N	P	LA	S	T
63	75	60	90	10	M5	2,5
71	85	70	105	10,5	M6	2,5
80	100	80	120	10,5	M6	3
90	115	95	140	11,5	M8	3
100	130	110	160	15	M8	3,5
112	130	110	160	11,5	M8	3,5
132	165	130	200	20,5	M10	3,5
160	215	180	250	-	M12	4

3.2 ELECTRIC MOTORS



		AC	AD	L	LB	X	D	E	f	GA	F	GD	LL	Pg	
160M	2-4-6	314	251	600	490	158	42	110	M16	45	12	8	90	2-M40x1,5	1-M16x1,5
160L	2-4-6	314	251	645	535	158	42	110	M16	45	12	8	90	2-M40x1,5	1-M16x1,5
180M	2-4	355	267	680	570	158	48	110	M16	51,5	14	9	100	2-M40x1,5	1-M16x1,5
180L	4-6	355	267	720	610	158	48	110	M16	51,5	14	9	100	2-M40x1,5	1-M16x1,5
200L	2-4-6	397	300	785	675	187	55	110	M20	59	16	10	100	2-M50x1,5	1-M16x1,5
225S	4	446	325	820	680	187	60	140	M20	64	18	11	125	2-M50x1,5	1-M16x1,5
225M	2	446	325	815	705	187	55	110	M20	59	16	10	100	2-M50x1,5	1-M16x1,5
225M	4-6	446	325	845	705	187	60	140	M20	64	18	11	125	2-M50x1,5	1-M16x1,5
250M	2-4-6	485	360	910	770	238	60	140	M20	64	18	11	125	2-M63x1,5	1-M16x1,5
250M	2-4-6	485	360	910	770	238	65	140	M20	69	18	11	125	2-M63x1,5	1-M16x1,5
280S	2-4-6	547	390	970	830	238	65	140	M20	69	18	11	125	2-M63x1,5	1-M16x1,5
280S	2-4-6	547	390	970	830	238	75	140	M20	79,5	20	12	125	2-M63x1,5	1-M16x1,5
280M	2-4-6	547	390	1025	885	238	65	140	M20	69	18	11	125	2-M63x1,5	1-M16x1,5
280M	2-4-6	547	390	1025	885	238	75	140	M20	79,5	20	12	125	2-M63x1,5	1-M16x1,5

B5	M	N	P	LA	S	T
160	300	250	350	13	19	5
180	300	250	350	15	19	5
200	350	300	400	17	19	5
225	400	350	450	20	19	5
250	500	450	550	22	19	5
280	500	450	550	22	19	5

3.2.2 Standard high efficiency (TS), high (TH, SH, HSH) and premium (TP) motors

Motovario, three-phase, single polarity motors are available in three different versions (IE1-IE2-IE3) in compliance with standard 60034-30-1. The efficiency value is calculated according to the method set forth in standard IEC 60034-2-1.

1. IE1: TS series (standard efficiency) for nominal power less than 0.12 kW,;
2. IE2: TH series (high efficiency) for nominal power greater than or equal to 0.12 kW and less than 0.75 kW;
3. IE3: TP series (premium efficiency) (*) 4 poles for nominal power greater than or equal to 0.12 kW, 2 and 6 poles for nominal power greater than or equal to 0.75 kW.

Motovario single-phase, single-polarity motors are available in IE2 efficiency class according to IEC 60034-30-1 for nominal power ratings higher than or equal to 0.12 kW and lower than or equal to 2.2 kW. The efficiency value is calculated according to the method set forth in standard IEC 60034-2-1.

Table of Motovario S.A.U. commercial availability

NOMINAL POWER [kW]	EFFICIENCY LEVEL		
	IE1	IE2	IE3
$P_n < 0,12$	TS-TBS	-	-
$0,12 \leq P_n < 0,75$	-	TH-TBH SH-HSH	TP-TBP (**)
$P_n \geq 0,75$	-	SH-HSH	TP-TBP

(*) Motor TP100LA4 2,2 kW and all TP 6 poles motors are available at 60Hz only upon request. As a consequence, these motors are in IE3 efficiency level at 50 Hz and IE2 at 60 Hz in case of bifrequency electrical design (standard 230/400-265/460V 50-60Hz and optional 200/346-220/380V 50-60Hz, 290/500-330/575V 50-60Hz and 400/690-460/800V 50-60Hz, see chapter on input voltage and frequency).

(**) Only 4 poles.

3.2.3 Nominal power - [kW]

P.	63A			63B		63C	63D	71A		71B		71C
	TS	TH	TP	TH	TP	TH	TH	TH	TP	TH	TP	TH
2	-	0,18	-	0,25	-	0,37	-	0,37	-	0,55	-	-
4	-	0,12	0,12	0,18	0,18	-	0,25	0,25	0,25	0,37	0,37	0,55
6	0,09	-	-	0,12	-	-	-	0,18	-	0,25	-	0,37

P.	80A		80B		90S	90L	100LR	100LA	100L	112MR	112MS	112M
	TH	TP	TH	TP	TP	TP	TP	TP	TP	TP	TP	TP
2	-	0,75	-	1,1	1,5	2,2	-	-	3	-	-	4
4	0,55	0,55	-	0,75	1,1	1,5	-	2,2	-	2,2	3	4
6	0,37	-	0,55	-	0,75	-	1,1	-	1,5	-	-	2,2

P.	132S	132MS	132MA	132MB	132M
	TP	TP	TP	TP	TP
2	5,5	-	-	-	7,5
4	-	5,5	-	-	7,5
6	3	-	4	5,5	-

P.	160M	160MA	160MB	160L	160LA	180M	180L
	TP	TP	TP	TP	TP	TP	TP
2	-	11	15	18,5	-	22	-
4	-	11	-	-	15	18,5	22
6	7,5	-	-	11	-	-	15

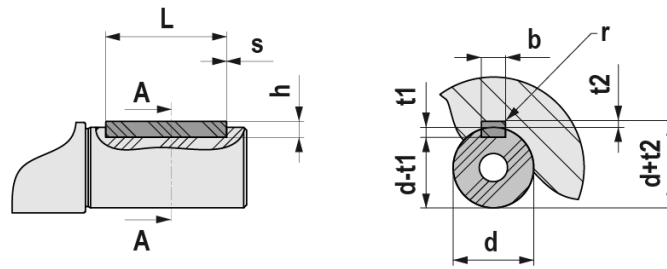
P.	200L	200LA	200LB	225S	225M	250M	280S	280M
	TP	TP	TP	TP	TP	TP	TP	TP
2	-	30	37	-	-	-	-	-
4	30	-	-	37	45	55	75	90
6	-	18,5	22	-	-	-	-	-

3.3 WEIGHTS

The values reported in the tables are referred to the weight of the gearbox with lubricant (DXS702/703-DXS802/803 supplied without lubricant) excluded.

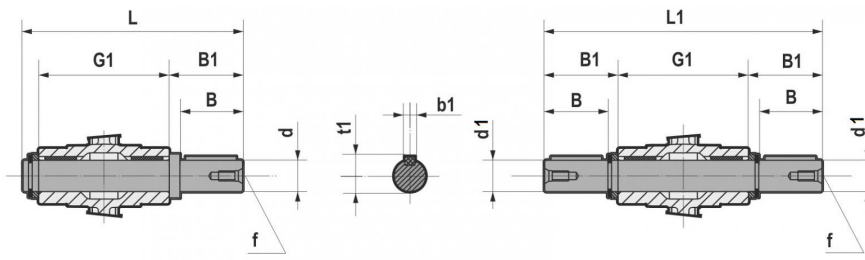
*Weight without motor.

* DXSC-DXSE	063	071	080-090	100-112	132	160	180	200	225		DXS	- kg
302-303	16	16,4	17	21,2	/	/	/	/	/	- kg	302-303	19,2
352-353	/	19,9	20,6	24,9	/	/	/	/	/		352-353	22,7
402-403	/	32,9	35	37	39,7	/	/	/	/		402-403	39
502-503	/	44	46	48	50,7	57,4	57,4	/	/		502-503	50
602-603	/	/	82	84,2	87	93	93	108	/		602-603	91,8



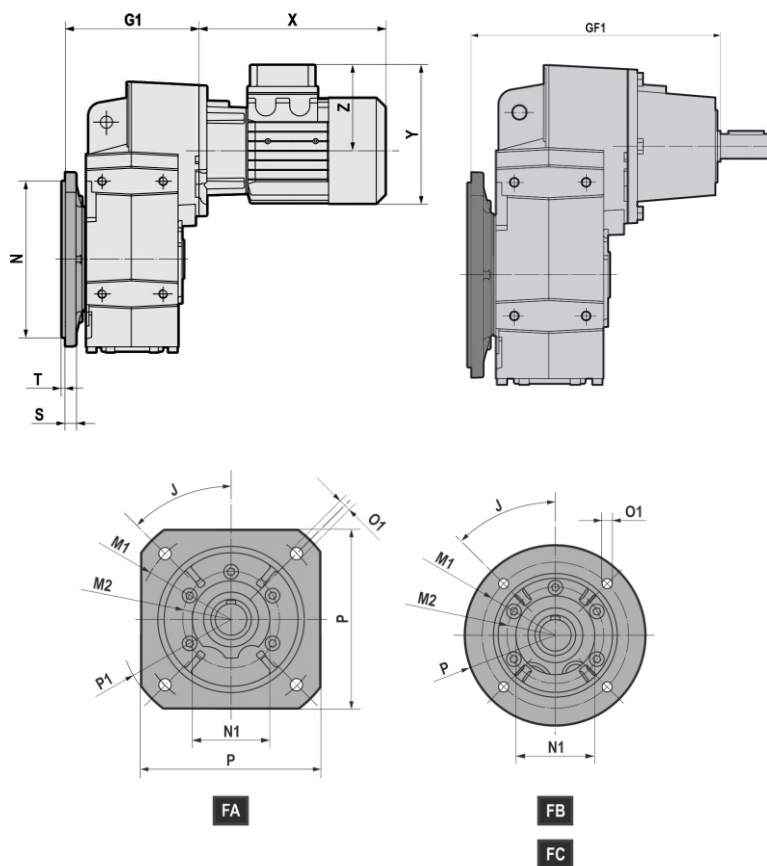
UNI 6604 - DIN 6885

d		b x h		Tol. b/h	L		s min / max		b	t1	t2	Tol. t1/t2	r max																																																																																																																																																																																													
	6	8	2	x	2	6	20	0,16 0,25	2	1,2	1	0,1 0	0,08 0,16																																																																																																																																																																																													
>	8	10	3	x	3	6	36		>	10	12			4	x	4	8	45	>	12	17	5	x	5	10	56	0,25 0,4	5	3	2,3	0,1 0	0,16 0,25	>	17	22	6	x	6	14	70	>	22	30	8	x	7	18	90	0,4 0,6	8	4	3,3	0,2 0	0,25 0,4	>	30	38	10	x	8	22	110	>	38	44	12	x	8	28	140	>	44	50	14	x	9	36	160	0,6 0,8	14	5,5	3,8	0,2 0	0,25 0,4	>	50	58	16	x	10	45	180	>	58	65	18	x	11	50	200	0,6 0,8	16	6	4,3	0,2 0	0,4 0,6	>	65	75	20	x	12	56	110	>	75	85	22	x	14	63	140	>	85	95	25	x	14	70	160	1 1,2	25	9	5,4	0,3 0	0,4 0,6	>	95	110	28	x	16	80	180	>	110	130	32	x	18	90	200	1 1,2	28	10	6,4	0,3 0	0,7 1	>	130	150	36	x	20	100	160	>	150	170	40	x	22	110	180	>	170	200	45	x	25	125	200		40	13	9,4												45	14	10,4		
>	10	12	4	x	4	8	45		>	12	17			5	x	5	10	56	0,25 0,4	5	3	2,3	0,1 0	0,16 0,25	>	17		22	6	x			6	14	70	>	22	30	8	x	7	18	90	0,4 0,6	8	4	3,3	0,2 0		0,25 0,4	>	30			38	10	x	8	22	110	>	38	44	12	x	8	28	140	>	44	50	14	x	9	36	160	0,6 0,8	14		5,5	3,8	0,2 0			0,25 0,4	>	50	58	16	x	10	45	180	>	58	65	18	x	11	50		200	0,6 0,8	16			6	4,3	0,2 0	0,4 0,6	>	65	75	20	x	12	56	110	>	75	85	22	x	14	63	140	>	85	95	25		x	14	70			160	1 1,2	25	9	5,4	0,3 0	0,4 0,6	>	95	110	28	x	16	80	180	>		110	130	32			x	18	90	200	1 1,2	28	10	6,4	0,3 0	0,7 1	>	130	150	36	x	20	100	160	>	150	170	40	x	22	110	180	>	170	200	45	x	25	125	200		40	13	9,4						
>	12	17	5	x	5	10	56	0,25 0,4	5	3	2,3	0,1 0	0,16 0,25																																																																																																																																																																																													
>	17	22	6	x	6	14	70		>	22	30			8	x	7	18	90	0,4 0,6	8	4	3,3	0,2 0	0,25 0,4	>	30	38	10	x	8	22	110	>	38	44	12	x	8	28	140	>	44	50		14	x	9		36		160	0,6 0,8	14	5,5	3,8	0,2 0	0,25 0,4	>	50	58	16	x	10	45	180	>	58	65	18	x	11	50	200	0,6 0,8	16	6	4,3	0,2 0	0,4 0,6	>	65	75	20	x	12	56	110	>	75	85	22	x	14	63	140	>	85	95	25	x	14	70		160	1 1,2	25	9	5,4			0,3 0	0,4 0,6	>	95	110	28	x	16	80	180	>	110	130	32	x	18	90	200	1 1,2	28	10	6,4	0,3 0	0,7 1	>	130	150	36	x	20	100	160	>	150	170	40	x	22	110	180	>	170	200	45	x	25	125	200		40	13	9,4															45	14	10,4																							
>	22	30	8	x	7	18	90	0,4 0,6	8	4	3,3	0,2 0	0,25 0,4																																																																																																																																																																																													
>	30	38	10	x	8	22	110		>	38	44			12	x	8	28	140		>	44	50			14	x	9	36	160	0,6 0,8	14	5,5	3,8	0,2 0	0,25 0,4	>	50	58	16	x	10	45	180	>	58	65	18	x	11	50	200	0,6 0,8	16	6	4,3	0,2 0	0,4 0,6	>	65	75	20	x	12	56	110	>	75	85	22	x	14	63	140		>	85	95			25	x	14	70	160	1 1,2	25	9	5,4	0,3 0	0,4 0,6	>	95	110	28	x	16	80	180	>	110	130	32	x	18	90	200	1 1,2	28	10	6,4	0,3 0	0,7 1	>	130	150	36	x	20	100	160	>	150	170	40	x	22	110	180		>	170	200			45	x	25	125	200		40	13	9,4												45	14	10,4																																													
>	38	44	12	x	8	28	140		>	44	50			14	x	9	36	160	0,6 0,8	14	5,5	3,8	0,2 0	0,25 0,4	>	50	58	16	x		10	45	180			>	58	65	18	x	11	50	200	0,6 0,8	16	6	4,3	0,2 0	0,4 0,6	>	65		75	20	x			12	56	110	>	75	85	22	x	14	63	140	>	85	95	25	x	14	70	160	1 1,2	25	9	5,4	0,3 0	0,4 0,6	>	95		110	28	x			16	80	180	>	110	130	32	x	18	90	200	1 1,2	28	10	6,4	0,3 0		0,7 1	>	130			150	36	x	20	100	160	>	150	170	40	x	22	110	180	>	170	200	45	x	25	125	200		40	13	9,4												45	14	10,4																																																		
>	44	50	14	x	9	36	160	0,6 0,8	14	5,5	3,8	0,2 0	0,25 0,4																																																																																																																																																																																													
>	50	58	16	x	10	45	180		>	58	65			18	x	11	50	200	0,6 0,8	16	6	4,3	0,2 0	0,4 0,6	>	65	75	20	x	12	56	110	>	75	85	22	x	14	63	140	>	85	95		25	x	14			70	160	1 1,2	25	9	5,4	0,3 0	0,4 0,6	>	95	110	28	x	16	80	180	>	110	130	32	x	18	90	200	1 1,2	28	10	6,4	0,3 0	0,7 1	>	130	150	36	x	20	100	160	>	150	170	40	x	22	110	180	>	170	200	45	x	25		125	200			40		13	9,4												45	14	10,4																																																																														
>	58	65	18	x	11	50	200	0,6 0,8	16	6	4,3	0,2 0	0,4 0,6																																																																																																																																																																																													
>	65	75	20	x	12	56	110		>	75	85			22	x	14	63	140		>	85	95			25	x	14	70	160	1 1,2	25	9	5,4	0,3 0	0,4 0,6	>	95	110	28	x	16	80	180	>	110	130	32	x	18	90	200	1 1,2	28	10	6,4	0,3 0	0,7 1	>	130	150	36	x	20	100	160	>	150	170	40	x	22	110	180		>	170	200			45	x	25	125	200		40	13	9,4												45	14	10,4																																																																																																				
>	75	85	22	x	14	63	140		>	85	95			25	x	14	70	160	1 1,2	25	9	5,4	0,3 0	0,4 0,6	>	95	110	28	x		16	80	180			>	110	130	32	x	18	90	200	1 1,2	28	10	6,4	0,3 0	0,7 1	>	130		150	36	x			20	100	160	>	150	170	40	x	22	110	180	>	170	200	45	x	25	125	200		40	13	9,4												45	14	10,4																																																																																																												
>	85	95	25	x	14	70	160	1 1,2	25	9	5,4	0,3 0	0,4 0,6																																																																																																																																																																																													
>	95	110	28	x	16	80	180		>	110	130			32	x	18	90	200	1 1,2	28	10	6,4	0,3 0	0,7 1	>	130	150	36	x	20	100	160	>	150	170	40	x	22	110	180	>	170	200		45	x	25			125	200		40	13	9,4												45	14	10,4																																																																																																																																					
>	110	130	32	x	18	90	200	1 1,2	28	10	6,4	0,3 0	0,7 1																																																																																																																																																																																													
>	130	150	36	x	20	100	160		>	150	170			40	x	22	110	180		>	170	200			45	x	25	125	200		40	13	9,4												45	14	10,4																																																																																																																																																											
>	150	170	40	x	22	110	180		>	170	200			45	x	25	125	200		40	13	9,4												45	14	10,4																																																																																																																																																																						
>	170	200	45	x	25	125	200		40	13	9,4																																																																																																																																																																																															
									45	14	10,4																																																																																																																																																																																															

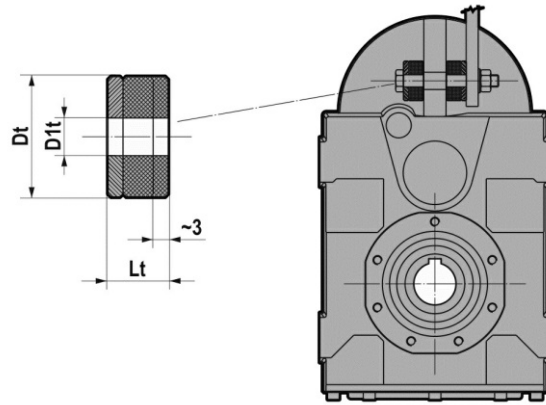


DXS	d h6	B	B1	G1	L	f	b1	t1
352/353	35	58	62	140	210,5	M12	10	38
402/403	40	80	84,25	180	273	M16	12	43
502/503	50	100	105	210	325	M16	14	53,5
602/603	60	120	125	240	375	M20	18	64

4.2 OUTPUT FLANGE



DXS		J	J1	M1	M2	N f8	N1	O1	P	P1	S	T	G1	GF1
302 303	FA	45	60	215	105	180	90	14	200	250	12	4	153	243
	FB	45	60	165	105	130	90	11	200	/	12	3,5	153	243
352 353	FA	45	60	215	105	180	90	14	200	250	12	4	172,5	262,5
	FB	45	60	165	105	130	90	11	200	/	12	3,5	172,5	262,5
402 403	FA	45	45	265	130	230	110	14	250	300	15	4	227	340
	FB	45	45	215	130	180	110	14	250	/	15	4	227	340
	FC	45	45	165	130	130	110	11	200	/	15	3,5	227	340
502 503	FA	45	45	300	165	250	130	18	300	350	16	5	247,5	360,5
	FB	45	45	265	165	230	130	14	300	/	16	4	247,5	360,5
	FC	45	45	215	165	180	130	14	250	/	16	4	247,5	360,5
602 603	FA	45	45	350	185	300	150	18	350	400	18	5	287	413,5
	FB	45	45	300	185	250	150	18	350	/	18	5	287	413,5
	FC	45	45	265	185	230	150	14	300	/	18	4	287	413,5



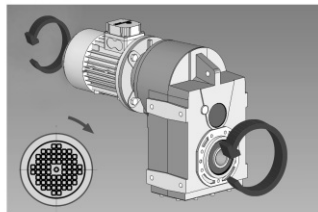
DXS	Dt	D1t	Lt
302/303	40	12,5	20
352/353	40	12,5	20
402/403	40	12,5	20
502/503	60	21	30
602/603	60	21	30

4.4 BACKSTOP DEVICE

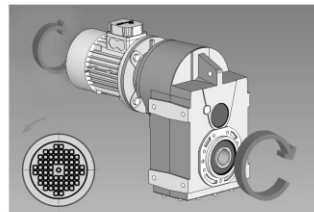
The gear reducer can be supplied with backstop device on input shaft. Backstop device allows output shaft rotation in only one sense of direction; according to the size, it is available in the input flange or in the motor with the same dimensions. It is important to specify the required sense of direction on the order. The backstop device is not available for mounting position V5 with motor size IEC 100...225.

SENSE OF DIRECTION AVAILABLE

DXS... 2/C-D-L

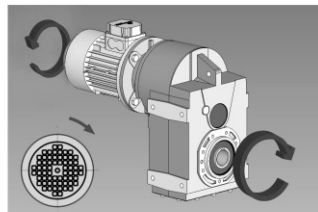


CLOCKWISE SENSE OF DIRECTION
REFERRED TO HIGH SPEED SHAFT

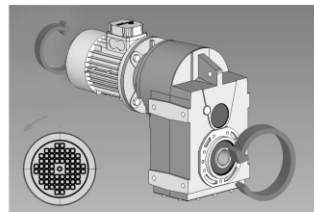


COUNTER CLOCKWISE SENSE OF DIRECTION
REFERRED TO HIGH SPEED SHAFT

DXS... 3/C-D-L



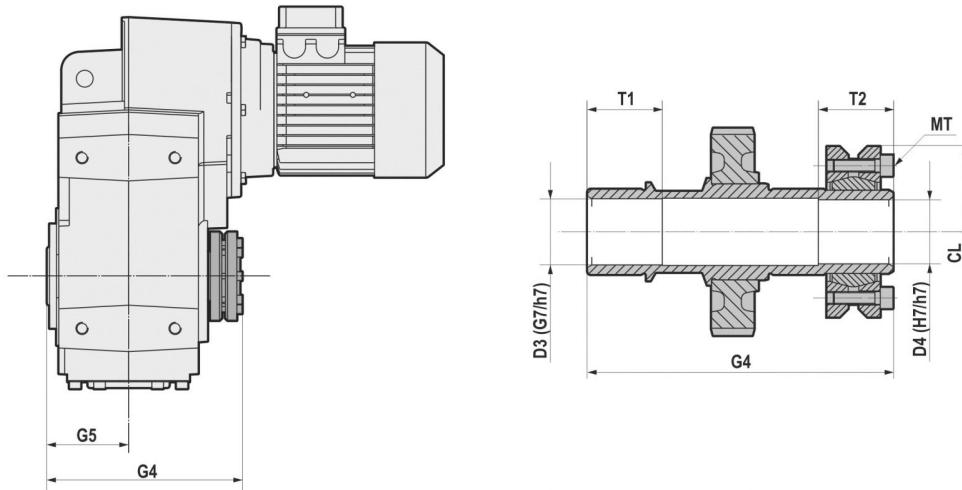
CLOCKWISE SENSE OF DIRECTION
REFERRED TO HIGH SPEED SHAFT



COUNTER CLOCKWISE SENSE OF DIRECTION
REFERRED TO HIGH SPEED SHAFT

	063	071	080	090	100-112	132	160	180	200	225
DXS	140x11	160x14	200x19	200x24	250x28	300x38	350x42	350x48	400x55	450x60
302		B5	B5	B5	B5					
303	B5	B5	B5	B5						
352		B5	B5	B5	B5					
353		B5	B5	B5						
402			B5	B5	B5	B5				
403		B5	B5	B5	B5					
502			B5	B5	B5	B5	B5			
503		B5	B5	B5	B5					
602			B5	B5	B5	B5	B5	B5	B5	
603			B5	B5	B5	B5				

Clean and degrease the surfaces of the shaft to be fitted to. Comply with the indicated tightening torque of screws (M_T).
The shrink disc is designed only to transmit the output torque.
In case of radial and/or axial loads or V5-V6 mountig positions, please contact the technical support.

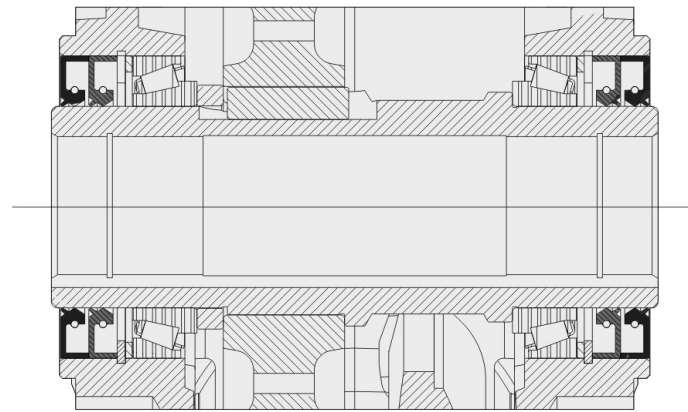
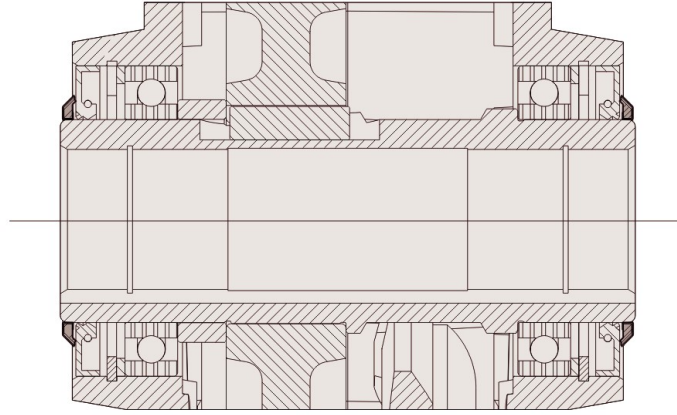


DXS	D3	D4	G4	G5	T1	T2	CL	M_T 12.9 [Nm]
302/303	31	30	152	60	35	35	74	15
352/353	36	35	173	70	40	35	80	15
402/403	41	40	217	90	50	40	100	15
502/503	51	50	248	105	55	40	115	15
602/603	61	60	282	120	60	50	145	40

4.6 REINFORCED OIL SEALS FOR OUTPUT SHAFT

The reinforced seal can be done depending on the gearbox size by means of two oil seals or through the standard oil seal with VRM ring. The difference of the two solutions is explained on the drawings.

On request the gear reducer can be supplied with fluoroelastomer FPM (FKM) seals.

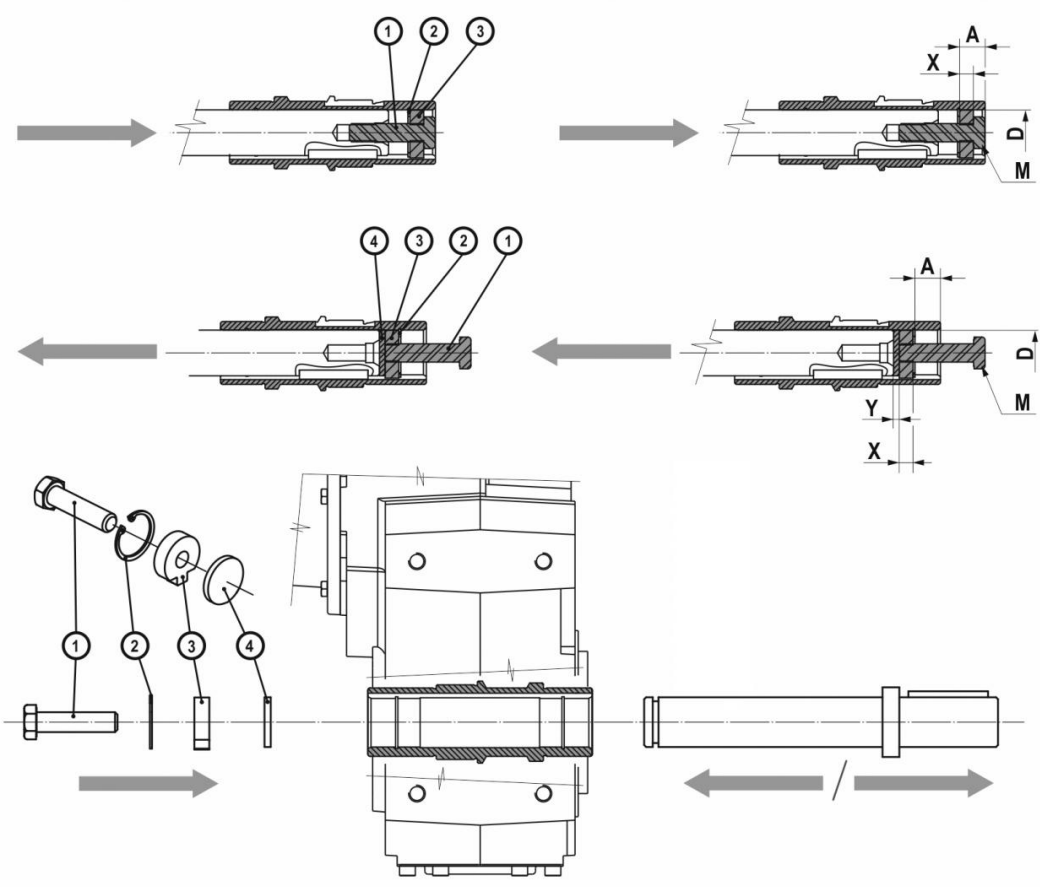


	Double oil seal	VRM ring
DXS302/3		x
DXS352/3		x
DXS402/3		x
DXS502/3		x
DXS602/3		x

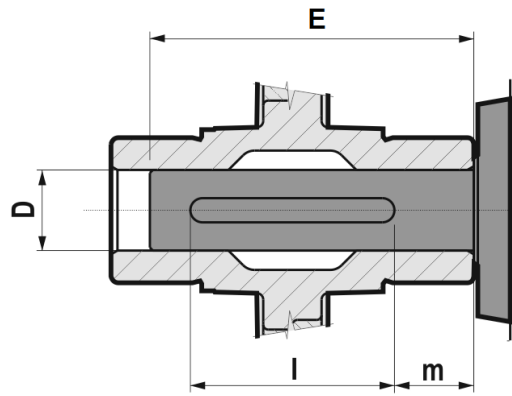
4.7 ASSEMBLING/DISASSEMBLING KIT

Mounting/dismounting kit for hollow shaft gear reducers with keyway that includes:

1. Retaining bolt
2. Circlip
3. Fixed nut
4. Forcing washer



DXS	D	A	X	Y	M
302/303	30	13,8	10	5	M10x35
352/353	35	12	12	5	M16x50
402/403	40	22,25	12	5	M16x50
	45				
502/503	50	25	12	5	M16x50
602/603	60	28	16	5	M20x70



	D H7/h6	E*	l*	m*
302/303	30	91	60	12,5
352/353	35	108	80	12,5
402/403	40	140	100	17,5
	45			
502/503	50	165	120	20
602/603	60	185	140	22,5

(*) Suggested values.

0,09 kW

n2 [rpm]	M2 [Nm]	fs	i	Gear reducer	Size	Motor Pole	Fr2 D [N]	Fr2 C-L [N]
7,3	111	3,3	117,48	DXSC303	63A	6	6000	6000
6,3	130	2,8	137,45	DXSC303	63A	6	6000	6000
4,8	168	2,2	177,55	DXSC303	63A	6	6000	6000
4,3	188	2,0	198,45	DXSC303	63A	6	6000	6000
4,0	207	1,8	217,64	DXSC303	63A	6	6000	6000
3,4	243	1,5	256,33	DXSC303	63A	6	6000	6000
2,7	298	1,2	314,21	DXSC303	63A	6	6000	6000

0,12 kW

n2 [rpm]	M2 [Nm]	fs	i	Gear reducer	Size	Motor Pole	Fr2 D [N]	Fr2 C-L [N]
11,7	93	3,9	74,20	DXSC303	63B	6	6000	6000
11,5	93	3,7	117,48	DXSC303	63A	4	6000	6000
11,1	98	3,7	78,14	DXSC303	63B	6	6000	6000
9,8	110	3,2	137,45	DXSC303	63A	4	6000	6000
9,1	120	3,0	95,84	DXSC303	63B	6	6000	6000
7,6	142	2,5	177,55	DXSC303	63A	4	6000	6000
7,4	147	2,5	117,48	DXSC303	63B	6	6000	6000
6,9	159	2,2	198,45	DXSC303	63A	4	6000	6000
6,4	172	2,1	137,45	DXSC303	63B	6	6000	6000
6,2	174	2,0	217,64	DXSC303	63A	4	6000	6000
5,2	204	1,7	256,33	DXSC303	63A	4	6000	6000
4,9	222	1,6	177,55	DXSC303	63B	6	6000	6000
4,3	248	1,5	198,45	DXSC303	63B	6	6000	6000
4,3	251	1,4	314,21	DXSC303	63A	4	6000	6000
4,0	272	1,3	217,64	DXSC303	63B	6	6000	6000
3,4	320	1,1	256,33	DXSC303	63B	6	6000	6000
2,7	393	0,9	314,21	DXSC303	63B	6	6000	6000

0,18 kW

n2 [rpm]	M2 [Nm]	fs	i	Gear reducer	Size	Motor Pole	Fr2 D [N]	Fr2 C-L [N]
20,6	76	3,4	137,45	DXSC303	63A	2	6000	6000
18,3	88	4,0	74,20	DXSC303	63B	4	6000	6000
17,4	93	3,8	78,14	DXSC303	63B	4	6000	6000
17,2	97	3,8	52,25	DXSC302	71A	6	6000	6000
16,0	98	2,7	177,55	DXSC303	63A	2	6000	6000
15,6	107	3,4	57,86	DXSC302	71A	6	6000	6000
15,6	105	3,5	57,79	DXSC303	71A	6	6000	6000
15,1	110	3,3	59,42	DXSC302	71A	6	6000	6000
14,3	110	2,4	198,45	DXSC303	63A	2	6000	6000

0,18 kW

n2 [rpm]	M2 [Nm]	fs	i	Gear reducer	Size	Motor Pole	Fr2 D [N]	Fr2 C-L [N]
14,2	113	3,1	95,84	DXSC303	63B	4	6000	6000
14,1	116	3,2	63,74	DXSC303	71A	6	6000	6000
13,0	120	2,2	217,64	DXSC303	63A	2	6000	6000
12,4	135	2,7	72,83	DXSC302	71A	6	6000	6000
12,1	135	2,7	74,20	DXSC303	71A	6	6000	6000
11,6	140	2,6	117,48	DXSC303	63B	4	6000	6000
11,5	142	2,6	78,14	DXSC303	71A	6	6000	6000
11,0	141	1,8	256,33	DXSC303	63A	2	6000	6000
9,9	163	2,1	137,45	DXSC303	63B	4	6000	6000
9,4	174	2,1	95,84	DXSC303	71A	6	6000	6000
9,0	181	3,5	99,89	DXSC353	71A	6	10000	4000
9,0	173	1,5	314,21	DXSC303	63A	2	6000	6000
7,7	213	1,7	117,48	DXSC303	71A	6	6000	6000
7,7	211	1,6	177,55	DXSC303	63B	4	6000	6000
7,1	229	2,7	126,43	DXSC353	71A	6	10000	4000
6,9	236	1,5	198,45	DXSC303	63B	4	6000	6000
6,5	249	1,5	137,45	DXSC303	71A	6	6000	6000
6,2	258	1,3	217,64	DXSC303	63B	4	6000	6000
6,0	274	2,3	150,85	DXSC353	71A	6	10000	4000
5,7	288	3,6	158,76	DXSC403	71A	6	18000	7200
5,3	304	1,1	256,33	DXSC303	63B	4	6000	6000
5,1	322	1,1	177,55	DXSC303	71A	6	6000	6000
4,9	331	1,9	182,53	DXSC353	71A	6	10000	4000
4,9	336	1,9	185,05	DXSC353	71A	6	10000	4000
4,9	335	3,1	184,88	DXSC403	71A	6	18000	7200
4,5	360	1,0	198,45	DXSC303	71A	6	6000	6000
4,4	368	2,9	203,11	DXSC403	71A	6	18000	7200
4,4	372	2,8	205,34	DXSC403	71A	6	18000	7200
4,3	374	0,9	314,21	DXSC303	63B	4	6000	6000
4,1	395	0,9	217,64	DXSC303	71A	6	6000	6000
4,1	395	1,6	217,79	DXSC353	71A	6	10000	4000
4,0	410	2,6	226,04	DXSC403	71A	6	18000	7200
3,6	454	2,3	250,50	DXSC403	71A	6	18000	7200
3,4	484	1,3	267,16	DXSC353	71A	6	10000	4000
3,4	483	2,2	266,13	DXSC403	71A	6	18000	7200
3,3	497	3,4	274,20	DXSC503	71A	6	22000	9000
3,2	509	3,3	280,89	DXSC503	71A	6	22000	9000
3,1	530	2,0	292,36	DXSC403	71A	6	18000	7200
3,1	530	3,2	292,36	DXSC503	71A	6	22000	9000
2,9	573	1,8	315,73	DXSC403	71A	6	18000	7200
2,8	582	2,9	320,79	DXSC503	71A	6	22000	9000
2,6	627	2,7	345,60	DXSC503	71A	6	22000	9000

5.1 DXSC GEARED MOTORS (50Hz)

0,18 kW

n2 [rpm]	M2 [Nm]	fs	i	Gear reducer	Size	Motor Pole	Fr2 D [N]	Fr2 C-L [N]
2,5	654	1,6	360,58	DXSC403	71A	6	18000	7200
2,3	716	2,3	394,69	DXSC503	71A	6	22000	9000

0,25 kW

n2 [rpm]	M2 [Nm]	fs	i	Gear reducer	Size	Motor Pole	Fr2 D [N]	Fr2 C-L [N]
30,3	76	3,9	30,00	DXSC302	71B	6	6000	6000
29,4	73	3,5	95,84	DXSC303	63B	2	6000	6000
27,9	83	3,8	32,55	DXSC302	71B	6	6000	6000
27,6	84	3,7	33,00	DXSC302	71B	6	6000	6000
26,7	87	3,6	34,09	DXSC302	71B	6	6000	6000
25,0	91	4,0	36,50	DXSC303	71B	6	6000	6000
24,9	93	3,7	36,55	DXSC302	71B	6	6000	6000
24,0	90	2,9	117,48	DXSC303	63B	2	6000	6000
23,8	96	3,7	57,86	DXSC302	71A	4	6000	6000
23,5	99	3,5	38,75	DXSC302	71B	6	6000	6000
23,3	96	3,7	57,79	DXSC303	63D/71A	4	6000	6000
23,2	99	3,6	59,42	DXSC302	71A	4	6000	6000
22,9	102	3,6	39,90	DXSC302	71B	6	6000	6000
21,3	109	3,4	42,63	DXSC302	71B	6	6000	6000
21,2	106	3,3	63,74	DXSC303	63D/71A	4	6000	6000
20,5	105	2,5	137,45	DXSC303	63B	2	6000	6000
19,8	117	3,1	46,00	DXSC302	71B	6	6000	6000
19,3	120	3,0	47,20	DXSC302	71B	6	6000	6000
19,3	118	3,1	47,14	DXSC303	71B	6	6000	6000
19,0	121	2,9	72,83	DXSC302	71A	4	6000	6000
18,2	123	2,9	74,20	DXSC303	63D/71A	4	6000	6000
17,4	133	2,7	52,25	DXSC302	71B	6	6000	6000
17,3	130	2,7	78,14	DXSC303	63D/71A	4	6000	6000
15,9	136	1,9	177,55	DXSC303	63B	2	6000	6000
15,8	147	2,5	57,86	DXSC302	71B	6	6000	6000
15,8	144	2,5	57,79	DXSC303	71B	6	6000	6000
15,3	151	2,4	59,42	DXSC302	71B	6	6000	6000
14,3	159	2,3	63,74	DXSC303	71B	6	6000	6000
14,2	152	1,7	198,45	DXSC303	63B	2	6000	6000
14,1	159	2,1	95,84	DXSC303	63D/71A	4	6000	6000
13,9	164	3,8	65,85	DXSC353	71B	6	10000	4000
13,8	162	3,7	99,89	DXSC353	71A	4	10000	4000
13,4	172	3,6	67,47	DXSC352	71B	6	10000	4000
13,3	170	3,7	68,25	DXSC353	71B	6	10000	4000
13,0	167	1,6	217,64	DXSC303	63B	2	6000	6000
12,5	185	2,0	72,83	DXSC302	71B	6	6000	6000

0,25 kW

n2 [rpm]	M2 [Nm]	fs	i	Gear reducer	Motor Size	Pole	Fr2 D [N]	Fr2 C-L [N]
12,3	183	3,4	73,63	DXSC353	71B	6	10000	4000
12,2	185	2,0	74,20	DXSC303	71B	6	6000	6000
11,6	195	1,9	78,14	DXSC303	71B	6	6000	6000
11,5	196	1,8	117,48	DXSC303	63D/71A	4	6000	6000
11,2	203	3,1	81,43	DXSC353	71B	6	10000	4000
11,0	197	1,3	256,33	DXSC303	63B	2	6000	6000
10,9	205	2,9	126,43	DXSC353	71A	4	10000	4000
9,8	229	1,5	137,45	DXSC303	63D/71A	4	6000	6000
9,5	238	1,5	95,84	DXSC303	71B	6	6000	6000
9,1	246	2,5	150,85	DXSC353	71A	4	10000	4000
9,1	249	2,5	99,89	DXSC353	71B	6	10000	4000
9,0	241	1,1	314,21	DXSC303	63B	2	6000	6000
8,7	258	3,9	158,76	DXSC403	71A	4	18000	7200
7,8	293	1,2	117,48	DXSC303	71B	6	6000	6000
7,8	292	3,6	117,17	DXSC403	71B	6	18000	7200
7,6	295	1,2	177,55	DXSC303	63D/71A	4	6000	6000
7,5	297	2,0	182,53	DXSC353	71A	4	10000	4000
7,4	301	2,0	185,05	DXSC353	71A	4	10000	4000
7,4	301	3,4	184,88	DXSC403	71A	4	18000	7200
7,2	315	2,0	126,43	DXSC353	71B	6	10000	4000
7,1	320	3,2	128,73	DXSC403	71B	6	18000	7200
6,9	330	1,0	198,45	DXSC303	63D/71A	4	6000	6000
6,8	330	3,0	203,11	DXSC403	71A	4	18000	7200
6,8	334	3,0	205,34	DXSC403	71A	4	18000	7200
6,7	339	3,1	136,34	DXSC403	71B	6	18000	7200
6,6	342	1,1	137,45	DXSC303	71B	6	6000	6000
6,4	355	1,7	217,79	DXSC353	71A	4	10000	4000
6,2	362	0,9	217,64	DXSC303	63D/71A	4	6000	6000
6,1	376	1,7	150,85	DXSC353	71B	6	10000	4000
6,1	368	2,7	226,04	DXSC403	71A	4	18000	7200
5,8	396	2,6	158,76	DXSC403	71B	6	18000	7200
5,5	407	2,5	250,50	DXSC403	71A	4	18000	7200
5,3	433	3,8	173,78	DXSC503	71B	6	22000	9000
5,2	434	1,4	267,16	DXSC353	71A	4	10000	4000
5,2	433	2,3	266,13	DXSC403	71A	4	18000	7200
5,1	446	3,6	274,20	DXSC503	71A	4	22000	9000
5,0	455	1,4	182,53	DXSC353	71B	6	10000	4000
5,0	461	1,4	185,05	DXSC353	71B	6	10000	4000
5,0	461	2,3	184,88	DXSC403	71B	6	18000	7200
4,9	457	3,5	280,89	DXSC503	71A	4	22000	9000
4,9	470	3,5	188,51	DXSC503	71B	6	22000	9000
4,8	475	2,1	292,36	DXSC403	71A	4	18000	7200

0,25 kW

n2 [rpm]	M2 [Nm]	fs	i	Gear reducer	Size	Motor Pole	Fr2 D [N]	Fr2 C-L [N]
4,8	475	3,4	292,36	DXSC503	71A	4	22000	9000
4,4	506	2,1	203,11	DXSC403	71B	6	18000	7200
4,4	511	2,0	205,34	DXSC403	71B	6	18000	7200
4,4	506	3,3	203,11	DXSC503	71B	6	22000	9000
4,4	514	2,0	315,73	DXSC403	71A	4	18000	7200
4,3	522	3,1	320,79	DXSC503	71A	4	22000	9000
4,1	543	1,1	217,79	DXSC353	71B	6	10000	4000
4,0	563	1,8	226,04	DXSC403	71B	6	18000	7200
4,0	555	3,0	222,85	DXSC503	71B	6	22000	9000
4,0	560	3,0	224,76	DXSC503	71B	6	22000	9000
4,0	562	2,9	345,60	DXSC503	71A	4	22000	9000
3,9	586	1,7	360,58	DXSC403	71A	4	18000	7200
3,6	624	1,7	250,50	DXSC403	71B	6	18000	7200
3,5	642	2,5	394,69	DXSC503	71A	4	22000	9000
3,4	666	0,9	267,16	DXSC353	71B	6	10000	4000
3,4	663	1,6	266,13	DXSC403	71B	6	18000	7200
3,3	683	2,4	274,20	DXSC503	71B	6	22000	9000
3,2	699	2,4	280,89	DXSC503	71B	6	22000	9000
3,1	728	1,4	292,36	DXSC403	71B	6	18000	7200
3,1	728	2,3	292,36	DXSC503	71B	6	22000	9000
2,9	786	1,3	315,73	DXSC403	71B	6	18000	7200
2,8	799	2,1	320,79	DXSC503	71B	6	22000	9000
2,6	861	1,9	345,60	DXSC503	71B	6	22000	9000
2,5	898	1,2	360,58	DXSC403	71B	6	18000	7200
2,3	983	1,7	394,69	DXSC503	71B	6	22000	9000

0,37 kW

n2 [rpm]	M2 [Nm]	fs	i	Gear reducer	Size	Motor Pole	Fr2 D [N]	Fr2 C-L [N]
55,2	62	4,1	16,29	DXSC302	71C	6	5904	5904
48,3	66	4,0	57,79	DXSC303	63C	2	6000	6000
48,3	71	3,6	18,63	DXSC302	71C/80A	6	6000	6000
46,7	73	4,0	30,00	DXSC302	71B	4	6000	6000
45,6	75	3,4	19,73	DXSC302	71C/80A	6	6000	6000
43,8	73	3,6	63,74	DXSC303	63C	2	6000	6000
43,0	79	3,8	32,55	DXSC302	71B	4	6000	6000
42,8	80	3,4	21,04	DXSC302	71C/80A	6	6000	6000
42,4	80	3,8	33,00	DXSC302	71B	4	6000	6000
41,8	82	3,4	21,53	DXSC302	71C/80A	6	6000	6000
41,1	83	3,7	34,09	DXSC302	71B	4	6000	6000
38,3	89	3,8	36,55	DXSC302	71B	4	6000	6000
38,3	87	4,1	36,50	DXSC303	71B	4	6000	6000

0,37 kW

n2 [rpm]	M2 [Nm]	fs	i	Gear reducer	Motor Size	Pole	Fr2 D [N]	Fr2 C-L [N]
37,6	85	3,1	74,20	DXSC303	63C	2	6000	6000
37,4	92	3,0	24,07	DXSC302	71C/80A	6	6000	6000
36,1	94	3,6	38,75	DXSC302	71B	4	6000	6000
35,7	90	2,9	78,14	DXSC303	63C	2	6000	6000
35,7	96	3,2	25,20	DXSC302	71C/80A	6	6000	6000
35,1	97	3,7	39,90	DXSC302	71B	4	6000	6000
34,9	98	3,1	25,79	DXSC302	71C/80A	6	6000	6000
32,9	104	3,3	42,63	DXSC302	71B	4	6000	6000
32,3	106	2,9	27,81	DXSC302	71C/80A	6	6000	6000
30,4	111	3,1	46,00	DXSC302	71B	4	6000	6000
30,0	114	2,7	30,00	DXSC302	71C/80A	6	6000	6000
29,7	111	3,1	47,14	DXSC303	71B	4	6000	6000
29,6	114	3,0	47,20	DXSC302	71B	4	6000	6000
29,1	110	2,4	95,84	DXSC303	63C	2	6000	6000
27,6	124	2,6	32,55	DXSC302	71C/80A	6	6000	6000
27,3	125	2,6	33,00	DXSC302	71C/80A	6	6000	6000
26,8	126	2,7	52,25	DXSC302	71B	4	6000	6000
26,4	130	2,5	34,09	DXSC302	71C/80A	6	6000	6000
24,6	139	2,5	36,55	DXSC302	71C/80A	6	6000	6000
24,6	136	2,7	36,50	DXSC303	71C/80A	6	6000	6000
24,2	137	2,5	57,79	DXSC303	71B	4	6000	6000
24,1	140	2,5	57,86	DXSC302	71B	4	6000	6000
23,7	135	1,9	117,48	DXSC303	63C	2	6000	6000
23,5	144	2,4	59,42	DXSC302	71B	4	6000	6000
23,2	148	2,4	38,75	DXSC302	71C/80A	6	6000	6000
22,6	152	2,5	39,90	DXSC302	71C/80A	6	6000	6000
21,9	151	2,3	63,74	DXSC303	71B	4	6000	6000
21,3	156	3,9	65,85	DXSC353	71B	4	10000	4000
21,1	162	2,2	42,63	DXSC302	71C/80A	6	6000	6000
20,8	164	3,7	67,47	DXSC352	71B	4	10000	4000
20,7	166	3,8	43,64	DXSC352	71C/80A	6	10000	4000
20,5	162	3,8	68,25	DXSC353	71B	4	10000	4000
20,3	158	1,7	137,45	DXSC303	63C	2	6000	6000
19,5	175	2,1	46,00	DXSC302	71C/80A	6	6000	6000
19,5	175	3,6	46,10	DXSC352	71C/80A	6	10000	4000
19,2	176	2,0	72,83	DXSC302	71B	4	6000	6000
19,1	176	2,0	47,14	DXSC303	71C/80A	6	6000	6000
19,0	180	2,0	47,20	DXSC302	71C/80A	6	6000	6000
19,0	174	3,4	73,63	DXSC353	71B	4	10000	4000
18,9	176	2,0	74,20	DXSC303	71B	4	6000	6000
18,6	184	3,5	48,30	DXSC352	71C/80A	6	10000	4000
18,3	183	3,5	49,13	DXSC353	71C/80A	6	10000	4000

0,37 kW

n2 [rpm]	M2 [Nm]	fs	i	Gear reducer	Motor Size	Pole	Fr2 D [N]	Fr2 C-L [N]
18,0	185	1,9	78,14	DXSC303	71B	4	6000	6000
17,2	199	1,8	52,25	DXSC302	71C/80A	6	6000	6000
17,1	193	3,1	81,43	DXSC353	71B	4	10000	4000
16,8	203	3,1	53,53	DXSC352	71C/80A	6	10000	4000
16,4	209	3,0	55,00	DXSC352	71C/80A	6	10000	4000
16,3	206	3,1	55,29	DXSC353	71C/80A	6	10000	4000
15,7	204	1,3	177,55	DXSC303	63C	2	6000	6000
15,5	220	1,6	57,86	DXSC302	71C/80A	6	6000	6000
15,5	215	1,7	57,79	DXSC303	71C/80A	6	6000	6000
15,3	219	2,9	58,72	DXSC353	71C/80A	6	10000	4000
15,1	226	1,6	59,42	DXSC302	71C/80A	6	6000	6000
14,6	228	1,5	95,84	DXSC303	71B	4	6000	6000
14,1	238	1,5	63,74	DXSC303	71C/80A	6	6000	6000
14,1	228	1,2	198,45	DXSC303	63C	2	6000	6000
14,0	237	2,5	99,89	DXSC353	71B	4	10000	4000
13,7	245	2,6	65,85	DXSC353	71C/80A	6	10000	4000
13,3	257	2,5	67,47	DXSC352	71C/80A	6	10000	4000
13,2	254	2,5	68,25	DXSC353	71C/80A	6	10000	4000
12,8	250	1,0	217,64	DXSC303	63C	2	6000	6000
12,7	265	4,0	74,18	DXSC403	80A	6	18000	7200
12,4	278	1,3	72,83	DXSC302	71C/80A	6	6000	6000
12,3	275	2,2	73,63	DXSC353	71C/80A	6	10000	4000
12,2	277	1,3	74,20	DXSC303	71C/80A	6	6000	6000
12,0	278	3,6	117,17	DXSC403	71B	4	18000	7200
11,9	279	1,2	117,48	DXSC303	71B	4	6000	6000
11,6	291	1,2	78,14	DXSC303	71C/80A	6	6000	6000
11,5	292	3,6	81,71	DXSC403	80A	6	18000	7200
11,1	300	2,0	126,43	DXSC353	71B	4	10000	4000
11,0	303	2,0	81,43	DXSC353	71C/80A	6	10000	4000
10,9	306	3,2	128,73	DXSC403	71B	4	18000	7200
10,3	327	3,2	91,49	DXSC403	80A	6	18000	7200
10,2	323	3,0	136,34	DXSC403	71B	4	18000	7200
10,1	326	1,1	137,45	DXSC303	71B	4	6000	6000
9,4	357	1,0	95,84	DXSC303	71C/80A	6	6000	6000
9,3	359	2,9	100,62	DXSC403	80A	6	18000	7200
9,2	358	1,7	150,85	DXSC353	71B	4	10000	4000
9,0	373	1,7	99,89	DXSC353	71C/80A	6	10000	4000
8,8	377	2,6	158,76	DXSC403	71B	4	18000	7200
8,2	412	4,1	110,55	DXSC503	71C	6	22000	9000
8,0	412	3,9	173,78	DXSC503	71B	4	22000	9000
7,7	433	1,4	182,53	DXSC353	71B	4	10000	4000
7,7	437	2,5	117,17	DXSC403	71C/80A	6	18000	7200

0,37 kW

n2 [rpm]	M2 [Nm]	fs	i	Gear reducer	Motor Size	Pole	Fr2 D [N]	Fr2 C-L [N]
7,6	439	1,3	185,05	DXSC353	71B	4	10000	4000
7,6	439	2,2	184,88	DXSC403	71B	4	18000	7200
7,5	452	3,7	121,29	DXSC503	71C/80A	6	22000	9000
7,4	448	3,6	188,51	DXSC503	71B	4	22000	9000
7,2	471	1,3	126,43	DXSC353	71C/80A	6	10000	4000
7,0	480	2,1	128,73	DXSC403	71C/80A	6	18000	7200
7,0	480	3,5	128,73	DXSC503	71C/80A	6	22000	9000
6,9	482	2,0	203,11	DXSC403	71B	4	18000	7200
6,9	482	3,3	203,11	DXSC503	71B	4	22000	9000
6,8	487	2,0	205,34	DXSC403	71B	4	18000	7200
6,6	508	2,0	136,34	DXSC403	71C/80A	6	18000	7200
6,4	517	1,1	217,79	DXSC353	71B	4	10000	4000
6,3	526	3,2	141,24	DXSC503	71C/80A	6	22000	9000
6,3	528	3,0	222,85	DXSC503	71B	4	22000	9000
6,2	536	1,8	226,04	DXSC403	71B	4	18000	7200
6,2	533	3,0	224,76	DXSC503	71B	4	22000	9000
5,9	562	1,1	150,85	DXSC353	71C/80A	6	10000	4000
5,6	592	1,7	158,76	DXSC403	71C/80A	6	18000	7200
5,6	594	1,7	250,50	DXSC403	71B	4	18000	7200
5,3	634	0,9	267,16	DXSC353	71B	4	10000	4000
5,3	632	1,6	266,13	DXSC403	71B	4	18000	7200
5,2	647	2,6	173,78	DXSC503	71C/80A	6	22000	9000
5,1	660	1,0	185,05	DXSC353	80A	6	10000	4000
5,1	651	2,4	274,20	DXSC503	71B	4	22000	9000
5,0	666	2,4	280,89	DXSC503	71B	4	22000	9000
4,9	681	0,9	182,53	DXSC353	71C/80A	6	10000	4000
4,9	689	1,5	184,88	DXSC403	71C/80A	6	18000	7200
4,8	703	2,4	188,51	DXSC503	71C/80A	6	22000	9000
4,8	694	1,4	292,36	DXSC403	71B	4	18000	7200
4,8	694	2,3	292,36	DXSC503	71B	4	22000	9000
4,5	749	1,3	315,73	DXSC403	71B	4	18000	7200
4,4	757	1,4	203,11	DXSC403	71C/80A	6	18000	7200
4,4	766	1,3	205,34	DXSC403	71C/80A	6	18000	7200
4,4	757	2,2	203,11	DXSC503	71C/80A	6	22000	9000
4,4	761	2,1	320,79	DXSC503	71B	4	22000	9000
4,1	820	1,9	345,60	DXSC503	71B	4	22000	9000
4,0	843	1,2	226,04	DXSC403	71C/80A	6	18000	7200
4,0	831	2,0	222,85	DXSC503	71C/80A	6	22000	9000
4,0	838	2,0	224,76	DXSC503	71C/80A	6	22000	9000
3,9	853	3,7	238,93	DXSC603	80A	6	30000	11200
3,9	856	1,2	360,58	DXSC403	71B	4	18000	7200
3,7	912	3,5	255,54	DXSC603	80A	6	30000	11200

0,37 kW

n2 [rpm]	M2 [Nm]	fs	i	Gear reducer	Motor Size	Pole	Fr2 D [N]	Fr2 C-L [N]
3,6	934	1,1	250,50	DXSC403	71C/80A	6	18000	7200
3,6	936	1,7	394,69	DXSC503	71B	4	22000	9000
3,4	1000	3,2	280,10	DXSC603	80A	6	30000	11200
3,4	993	1,0	266,13	DXSC403	71C/80A	6	18000	7200
3,3	1022	1,6	274,20	DXSC503	71C/80A	6	22000	9000
3,2	1047	1,6	280,89	DXSC503	71C/80A	6	22000	9000
3,1	1075	2,9	301,16	DXSC603	80A	6	30000	11200
3,1	1090	0,9	292,36	DXSC403	71C/80A	6	18000	7200
3,1	1090	1,5	292,36	DXSC503	71C/80A	6	22000	9000
3,0	1127	0,9	315,73	DXSC403	80A	6	18000	7200
2,8	1196	1,4	320,79	DXSC503	71C/80A	6	22000	9000
2,7	1227	2,6	343,93	DXSC603	80A	6	30000	11200
2,6	1288	1,3	345,60	DXSC503	71C/80A	6	22000	9000
2,2	1472	1,1	394,69	DXSC503	71C/80A	6	22000	9000

0,55 kW

n2 [rpm]	M2 [Nm]	fs	i	Gear reducer	Motor Size	Pole	Fr2 D [N]	Fr2 C-L [N]
109,0	47	3,8	8,63	DXSC302	80B	6	4719	4719
86,9	56	4,0	32,55	DXSC302	71B	2	5046	5046
85,8	57	3,9	33,00	DXSC302	71B	2	5066	5066
84,4	60	3,3	11,14	DXSC302	80B	6	5079	5079
83,0	59	3,8	34,09	DXSC302	71B	2	5113	5113
78,3	65	3,2	12,00	DXSC302	80B	6	5187	5187
77,4	63	3,9	36,55	DXSC302	71B	2	5215	5215
75,1	68	3,6	18,63	DXSC302	71C/80A	4	5267	5267
73,0	67	3,7	38,75	DXSC302	71B	2	5302	5302
70,9	71	3,4	19,73	DXSC302	71C/80A	4	5352	5352
70,9	69	3,8	39,90	DXSC302	71B	2	5346	5346
68,8	74	2,9	13,66	DXSC302	80B	6	5377	5377
66,5	75	3,5	21,04	DXSC302	71C/80A	4	5448	5448
66,4	73	3,6	42,63	DXSC302	71B	2	5445	5445
65,0	77	3,4	21,53	DXSC302	71C/80A	4	5482	5482
61,6	83	3,0	15,27	DXSC302	80B	6	5544	5544
61,5	79	3,3	46,00	DXSC302	71B	2	5561	5561
60,0	79	3,3	47,14	DXSC303	71B	2	5608	5608
59,9	81	3,2	47,20	DXSC302	71B	2	5600	5600
58,1	87	3,0	24,07	DXSC302	71C/80A	4	5651	5651
57,7	88	2,8	16,29	DXSC302	80B	6	5641	5641
55,6	91	3,2	25,20	DXSC302	71C/80A	4	5721	5721
54,3	93	3,2	25,79	DXSC302	71C/80A	4	5756	5756
54,2	89	2,9	52,25	DXSC302	71B	2	5756	5756

0,55 kW

n2 [rpm]	M2 [Nm]	fs	i	Gear reducer	Motor Size	Pole	Fr2 D [N]	Fr2 C-L [N]
50,4	101	2,5	18,63	DXSC302	80B	6	5846	5846
50,4	100	2,9	27,81	DXSC302	71C/80A	4	5872	5872
48,9	99	2,6	57,86	DXSC302	71B	2	5915	5915
48,9	97	2,7	57,79	DXSC303	71B	2	5925	5925
47,6	102	2,6	59,42	DXSC302	71B	2	5956	5956
47,6	107	2,3	19,73	DXSC302	80B	6	5933	5933
46,7	108	2,7	30,00	DXSC302	71C/80A	4	5989	5989
44,7	114	2,4	21,04	DXSC302	80B	6	6000	6000
44,4	107	2,4	63,74	DXSC303	71B	2	6000	6000
43,7	117	2,3	21,53	DXSC302	80B	6	6000	6000
43,0	117	2,6	32,55	DXSC302	71C/80A	4	6000	6000
42,4	118	2,6	33,00	DXSC302	71C/80A	4	6000	6000
42,0	116	3,9	67,47	DXSC352	71B	2	10000	4000
41,5	115	3,9	68,25	DXSC353	71B	2	10000	4000
41,1	122	2,5	34,09	DXSC302	71C/80A	4	6000	6000
40,5	126	3,9	23,18	DXSC352	80B	6	10000	4000
39,6	129	3,8	23,75	DXSC352	80B	6	10000	4000
39,0	131	2,1	24,07	DXSC302	80B	6	6000	6000
38,9	125	2,1	72,83	DXSC302	71B	2	6000	6000
38,5	124	3,6	73,63	DXSC353	71B	2	10000	4000
38,3	132	2,6	36,55	DXSC302	71C/80A	4	6000	6000
38,3	129	2,8	36,50	DXSC303	71C/80A	4	6000	6000
38,2	125	2,1	74,20	DXSC303	71B	2	6000	6000
37,4	137	3,7	25,14	DXSC352	80B	6	10000	4000
37,3	137	2,2	25,20	DXSC302	80B	6	6000	6000
36,5	140	2,2	25,79	DXSC302	80B	6	6000	6000
36,3	131	2,0	78,14	DXSC303	71B	2	6000	6000
36,2	140	2,4	38,75	DXSC302	71C/80A	4	6000	6000
35,1	144	2,5	39,90	DXSC302	71C/80A	4	6000	6000
34,7	137	3,3	81,43	DXSC353	71B	2	10000	4000
34,0	149	3,3	27,66	DXSC352	80B	6	10000	4000
33,8	150	2,0	27,81	DXSC302	80B	6	6000	6000
32,8	154	2,2	42,63	DXSC302	71C/80A	4	6000	6000
32,1	158	3,8	43,64	DXSC352	71C/80A	4	10000	4000
31,3	162	1,9	30,00	DXSC302	80B	6	6000	6000
31,3	162	3,2	30,00	DXSC352	80B	6	10000	4000
30,5	165	2,1	46,00	DXSC302	71C/80A	4	6000	6000
30,4	166	3,6	46,10	DXSC352	71C/80A	4	10000	4000
29,7	166	2,1	47,14	DXSC303	71C/80A	4	6000	6000
29,6	170	2,0	47,20	DXSC302	71C/80A	4	6000	6000
29,5	162	1,6	95,84	DXSC303	71B	2	6000	6000
29,0	174	3,5	48,30	DXSC352	71C/80A	4	10000	4000

5.1 DXSC GEARED MOTORS (50Hz)

0,55 kW

n2 [rpm]	M2 [Nm]	fs	i	Gear reducer	Motor Size	Pole	Fr2 D [N]	Fr2 C-L [N]
28,9	176	1,8	32,55	DXSC302	80B	6	6000	6000
28,5	173	3,5	49,13	DXSC353	71C/80A	4	10000	4000
28,5	179	1,7	33,00	DXSC302	80B	6	6000	6000
28,3	168	2,7	99,89	DXSC353	71B	2	10000	4000
28,0	178	3,5	33,57	DXSC353	80B	6	10000	4000
27,7	184	3,1	33,93	DXSC352	80B	6	10000	4000
27,6	185	1,7	34,09	DXSC302	80B	6	6000	6000
26,8	188	1,8	52,25	DXSC302	71C/80A	4	6000	6000
26,2	193	3,1	53,53	DXSC352	71C/80A	4	10000	4000
25,8	194	1,9	36,50	DXSC303	80B	6	6000	6000
25,7	198	1,7	36,55	DXSC302	80B	6	6000	6000
25,7	198	3,1	36,57	DXSC352	80B	6	10000	4000
25,4	198	3,1	55,00	DXSC352	71C/80A	4	10000	4000
25,3	195	3,1	55,29	DXSC353	71C/80A	4	10000	4000
24,9	201	3,1	37,77	DXSC353	80B	6	10000	4000
24,3	210	1,6	38,75	DXSC302	80B	6	6000	6000
24,2	208	1,6	57,86	DXSC302	71C/80A	4	6000	6000
24,2	204	1,7	57,79	DXSC303	71C/80A	4	6000	6000
24,2	198	3,8	117,17	DXSC403	71B	2	18000	7200
24,1	198	1,3	117,48	DXSC303	71B	2	6000	6000
23,9	214	2,9	39,38	DXSC352	80B	6	10000	4000
23,8	207	2,9	58,72	DXSC353	71C/80A	4	10000	4000
23,6	214	1,6	59,42	DXSC302	71C/80A	4	6000	6000
23,6	216	1,7	39,90	DXSC302	80B	6	6000	6000
23,4	213	2,9	40,05	DXSC353	80B	6	10000	4000
22,4	212	2,1	126,43	DXSC353	71B	2	10000	4000
22,0	231	1,6	42,63	DXSC302	80B	6	6000	6000
22,0	225	1,5	63,74	DXSC303	71C/80A	4	6000	6000
22,0	216	3,4	128,73	DXSC403	71B	2	18000	7200
21,5	236	2,6	43,64	DXSC352	80B	6	10000	4000
21,3	232	2,6	65,85	DXSC353	71C/80A	4	10000	4000
20,7	229	3,2	136,34	DXSC403	71B	2	18000	7200
20,7	243	2,5	67,47	DXSC352	71C/80A	4	10000	4000
20,5	231	1,1	137,45	DXSC303	71B	2	6000	6000
20,5	241	2,5	68,25	DXSC353	71C/80A	4	10000	4000
20,4	249	1,5	46,00	DXSC302	80B	6	6000	6000
20,4	249	2,5	46,10	DXSC352	80B	6	10000	4000
19,9	255	1,4	47,20	DXSC302	80B	6	6000	6000
19,9	250	1,5	47,14	DXSC303	80B	6	6000	6000
19,5	261	2,4	48,30	DXSC352	80B	6	10000	4000
19,2	262	1,3	72,83	DXSC302	71C/80A	4	6000	6000
19,2	258	3,9	74,18	DXSC403	80A	4	18000	7200

0,55 kW

n2 [rpm]	M2 [Nm]	fs	i	Gear reducer	Motor Size	Pole	Fr2 D [N]	Fr2 C-L [N]
19,1	260	2,4	49,13	DXSC353	80B	6	10000	4000
19,0	259	2,4	73,63	DXSC353	71C/80A	4	10000	4000
18,9	261	1,3	74,20	DXSC303	71C/80A	4	6000	6000
18,7	254	1,8	150,85	DXSC353	71B	2	10000	4000
18,7	272	3,8	50,25	DXSC402	80B	6	18000	7200
18,0	283	1,3	52,25	DXSC302	80B	6	6000	6000
17,9	276	1,2	78,14	DXSC303	71C/80A	4	6000	6000
17,8	267	2,8	158,76	DXSC403	71B	2	18000	7200
17,6	290	2,1	53,53	DXSC352	80B	6	10000	4000
17,3	284	3,5	81,71	DXSC403	80A	4	18000	7200
17,3	294	3,5	54,27	DXSC402	80B	6	18000	7200
17,2	287	2,0	81,43	DXSC353	71C/80A	4	10000	4000
17,1	298	2,1	55,00	DXSC352	80B	6	10000	4000
17,0	293	2,1	55,29	DXSC353	80B	6	10000	4000
16,3	314	1,2	57,86	DXSC302	80B	6	6000	6000
16,3	307	1,2	57,79	DXSC303	80B	6	6000	6000
16,0	312	2,0	58,72	DXSC353	80B	6	10000	4000
15,9	322	1,1	59,42	DXSC302	80B	6	6000	6000
15,5	318	3,1	91,49	DXSC403	80A	4	18000	7200
15,5	307	1,5	182,53	DXSC353	71B	2	10000	4000
15,3	312	1,4	185,05	DXSC353	71B	2	10000	4000
15,3	311	2,4	184,88	DXSC403	71B	2	18000	7200
15,2	335	3,1	61,98	DXSC402	80B	6	18000	7200
15,0	318	3,8	188,51	DXSC503	71B	2	22000	9000
14,8	338	1,1	63,74	DXSC303	80B	6	6000	6000
14,6	338	1,0	95,84	DXSC303	71C/80A	4	6000	6000
14,3	349	1,8	65,85	DXSC353	80B	6	10000	4000
14,1	350	2,8	100,62	DXSC403	80A	4	18000	7200
14,0	352	1,7	99,89	DXSC353	71C/80A	4	10000	4000
13,9	365	1,7	67,47	DXSC352	80B	6	10000	4000
13,9	358	2,9	67,52	DXSC403	80B	6	18000	7200
13,9	342	2,2	203,11	DXSC403	71B	2	18000	7200
13,9	342	3,5	203,11	DXSC503	71B	2	22000	9000
13,8	346	2,2	205,34	DXSC403	71B	2	18000	7200
13,7	362	1,7	68,25	DXSC353	80B	6	10000	4000
13,0	366	1,2	217,79	DXSC353	71B	2	10000	4000
12,9	395	0,9	72,83	DXSC302	80B	6	6000	6000
12,7	391	1,6	73,63	DXSC353	80B	6	10000	4000
12,7	375	3,2	222,85	DXSC503	71B	2	22000	9000
12,6	394	0,9	74,20	DXSC303	80B	6	6000	6000
12,6	394	2,6	74,18	DXSC403	80B	6	18000	7200
12,6	378	3,1	224,76	DXSC503	71B	2	22000	9000

5.1 DXSC GEARED MOTORS (50Hz)

0,55 kW

n2 [rpm]	M2 [Nm]	fs	i	Gear reducer	Motor Size	Pole	Fr2 D [N]	Fr2 C-L [N]
12,5	380	2,0	226,04	DXSC403	71B	2	18000	7200
12,0	413	2,5	117,17	DXSC403	71C/80A	4	18000	7200
11,5	428	3,8	121,29	DXSC503	71C/80A	4	22000	9000
11,5	432	1,4	81,43	DXSC353	80B	6	10000	4000
11,5	433	2,4	81,71	DXSC403	80B	6	18000	7200
11,5	431	3,8	81,39	DXSC503	80B	6	22000	9000
11,3	422	1,8	250,50	DXSC403	71B	2	18000	7200
11,0	446	1,3	126,43	DXSC353	71C/80A	4	10000	4000
10,8	454	2,2	128,73	DXSC403	71C/80A	4	18000	7200
10,8	454	3,5	128,73	DXSC503	71C/80A	4	22000	9000
10,7	448	1,7	266,13	DXSC403	71B	2	18000	7200
10,5	476	3,5	89,77	DXSC503	80B	6	22000	9000
10,3	486	2,1	91,49	DXSC403	80B	6	18000	7200
10,3	462	2,6	274,20	DXSC503	71B	2	22000	9000
10,2	480	2,0	136,34	DXSC403	71C/80A	4	18000	7200
10,1	473	2,5	280,89	DXSC503	71B	2	22000	9000
9,9	498	3,2	141,24	DXSC503	71C/80A	4	22000	9000
9,7	493	1,5	292,36	DXSC403	71B	2	18000	7200
9,7	493	2,4	292,36	DXSC503	71B	2	22000	9000
9,4	530	1,2	99,89	DXSC353	80B	6	10000	4000
9,4	531	3,1	100,15	DXSC503	80B	6	22000	9000
9,3	532	1,1	150,85	DXSC353	71C/80A	4	10000	4000
9,3	534	1,9	100,62	DXSC403	80B	6	18000	7200
9,0	531	1,4	315,73	DXSC403	71B	2	18000	7200
8,9	540	2,2	320,79	DXSC503	71B	2	22000	9000
8,8	560	1,7	158,76	DXSC403	71C/80A	4	18000	7200
8,5	587	2,8	110,55	DXSC503	80B	6	22000	9000
8,2	582	2,0	345,60	DXSC503	71B	2	22000	9000
8,1	613	2,7	173,78	DXSC503	71C/80A	4	22000	9000
8,0	621	1,7	117,17	DXSC403	80B	6	18000	7200
7,9	607	1,2	360,58	DXSC403	71B	2	18000	7200
7,8	643	2,6	121,29	DXSC503	80B	6	22000	9000
7,7	644	0,9	185,05	DXSC353	80A	4	10000	4000
7,7	644	0,9	182,53	DXSC353	71C/80A	4	10000	4000
7,6	652	1,5	184,88	DXSC403	71C/80A	4	18000	7200
7,5	671	0,9	126,43	DXSC353	80B	6	10000	4000
7,5	664	2,5	188,51	DXSC503	71C/80A	4	22000	9000
7,3	683	1,5	128,73	DXSC403	80B	6	18000	7200
7,3	683	2,4	128,73	DXSC503	80B	6	22000	9000
7,2	664	1,8	394,69	DXSC503	71B	2	22000	9000
6,9	723	1,4	136,34	DXSC403	80B	6	18000	7200
6,8	716	1,4	203,11	DXSC403	71C/80A	4	18000	7200

0,55 kW

n2 [rpm]	M2 [Nm]	fs	i	Gear reducer	Motor Size	Pole	Fr2 D [N]	Fr2 C-L [N]
6,8	724	1,4	205,34	DXSC403	71C/80A	4	18000	7200
6,8	716	2,2	203,11	DXSC503	71C/80A	4	22000	9000
6,7	749	2,2	141,24	DXSC503	80B	6	22000	9000
6,6	749	4,0	215,60	DXSC603	80A	4	30000	11200
6,2	798	1,2	226,04	DXSC403	71C/80A	4	18000	7200
6,2	786	2,0	222,85	DXSC503	71C/80A	4	22000	9000
6,2	793	2,0	224,76	DXSC503	71C/80A	4	22000	9000
6,2	803	3,9	151,43	DXSC603	80B	6	30000	11200
6,0	831	3,7	238,93	DXSC603	80A	4	30000	11200
6,0	842	1,2	158,76	DXSC403	80B	6	18000	7200
5,6	884	1,1	250,50	DXSC403	71C/80A	4	18000	7200
5,6	888	3,3	255,54	DXSC603	80A	4	30000	11200
5,5	922	1,8	173,78	DXSC503	80B	6	22000	9000
5,3	942	3,3	177,53	DXSC603	80B	6	30000	11200
5,2	938	1,0	266,13	DXSC403	71C/80A	4	18000	7200
5,1	967	1,6	274,20	DXSC503	71C/80A	4	22000	9000
5,1	974	3,0	280,10	DXSC603	80A	4	30000	11200
5,1	981	1,1	184,88	DXSC403	80B	6	18000	7200
5,0	990	1,6	280,89	DXSC503	71C/80A	4	22000	9000
5,0	1000	1,7	188,51	DXSC503	80B	6	22000	9000
4,9	1032	3,0	194,59	DXSC603	80B	6	30000	11200
4,8	1031	0,9	292,36	DXSC403	71C/80A	4	18000	7200
4,8	1031	1,5	292,36	DXSC503	71C/80A	4	22000	9000
4,7	1047	2,8	301,16	DXSC603	80A	4	30000	11200
4,6	1077	1,0	203,11	DXSC403	80B	6	18000	7200
4,6	1077	1,5	203,11	DXSC503	80B	6	22000	9000
4,5	1089	1,0	205,34	DXSC403	80B	6	18000	7200
4,4	1131	1,4	320,79	DXSC503	71C/80A	4	22000	9000
4,3	1144	2,7	215,60	DXSC603	80B	6	30000	11200
4,2	1182	1,4	222,85	DXSC503	80B	6	22000	9000
4,2	1196	2,5	343,93	DXSC603	80A	4	30000	11200
4,1	1192	1,4	224,76	DXSC503	80B	6	22000	9000
4,1	1219	1,3	345,60	DXSC503	71C/80A	4	22000	9000
3,9	1267	2,5	238,93	DXSC603	80B	6	30000	11200
3,6	1356	2,3	255,54	DXSC603	80B	6	30000	11200
3,6	1392	1,1	394,69	DXSC503	71C/80A	4	22000	9000
3,4	1454	1,1	274,20	DXSC503	80B	6	22000	9000
3,3	1490	1,1	280,89	DXSC503	80B	6	22000	9000
3,3	1486	2,1	280,10	DXSC603	80B	6	30000	11200
3,2	1551	1,1	292,36	DXSC503	80B	6	22000	9000
3,1	1598	2,0	301,16	DXSC603	80B	6	30000	11200
2,9	1702	1,0	320,79	DXSC503	80B	6	22000	9000

5.1 DXSC GEARED MOTORS (50Hz)

0,55 kW

n2 [rpm]	M2 [Nm]	fs	i	Gear reducer	Size	Motor Pole	Fr2 D [N]	Fr2 C-L [N]
2,7	1833	0,9	345,60	DXSC503	80B	6	22000	9000
2,7	1825	1,7	343,93	DXSC603	80B	6	30000	11200

0,75 kW

n2 [rpm]	M2 [Nm]	fs	i	Gear reducer	Size	Motor Pole	Fr2 D [N]	Fr2 C-L [N]
144,9	46	4,0	19,73	DXSC302	80A	2	4284	4284
136,0	49	4,0	21,04	DXSC302	80A	2	4364	4364
132,8	50	3,9	21,53	DXSC302	80A	2	4393	4393
129,3	54	3,5	11,14	DXSC302	80B	4	4403	4403
120,0	58	3,5	12,00	DXSC302	80B	4	4496	4496
118,9	56	3,5	24,07	DXSC302	80A	2	4534	4534
113,5	59	3,8	25,20	DXSC302	80A	2	4593	4593
110,9	60	3,6	25,79	DXSC302	80A	2	4600	4600
109,0	64	2,8	8,63	DXSC302	90S	6	4606	4606
105,4	66	3,2	13,66	DXSC302	80B	4	4660	4660
102,8	65	3,4	27,81	DXSC302	80A	2	4697	4697
95,3	70	3,1	30,00	DXSC302	80A	2	4796	4796
94,3	73	3,3	15,27	DXSC302	80B	4	4796	4796
88,4	78	3,1	16,29	DXSC302	80B	4	4880	4880
87,9	76	3,0	32,55	DXSC302	80A	2	4904	4904
86,7	77	2,9	33,00	DXSC302	80A	2	4922	4922
84,4	82	2,5	11,14	DXSC302	90S	6	4964	4964
83,9	79	2,8	34,09	DXSC302	80A	2	4974	4974
78,4	83	3,2	36,50	DXSC303	80A	2	5066	5066
78,4	89	2,3	12,00	DXSC302	90S	6	5062	5062
78,3	85	2,9	36,55	DXSC302	80A	2	5058	5058
77,2	89	2,7	18,63	DXSC302	80B	4	5094	5094
73,8	90	2,7	38,75	DXSC302	80A	2	5160	5160
73,0	94	2,5	19,73	DXSC302	80B	4	5142	5142
71,7	93	2,8	39,90	DXSC302	80A	2	5176	5176
68,8	101	2,2	13,66	DXSC302	90S	6	5205	5205
68,5	100	2,6	21,04	DXSC302	80B	4	5227	5227
67,1	99	2,6	42,63	DXSC302	80A	2	5275	5275
66,9	103	2,5	21,53	DXSC302	80B	4	5258	5258
62,2	107	2,4	46,00	DXSC302	80A	2	5392	5392
61,5	113	2,2	15,27	DXSC302	90S	6	5353	5353
60,6	107	2,4	47,14	DXSC303	80A	2	5425	5425
60,6	110	2,4	47,20	DXSC302	80A	2	5403	5403
59,8	115	2,2	24,07	DXSC302	80B	4	5406	5406
59,2	112	4,0	48,30	DXSC352	80A	2	9772	3909
59,0	117	4,0	15,94	DXSC352	90S	6	9788	3915

0,75 kW

n2 [rpm]	M2 [Nm]	fs	i	Gear reducer	Size	Motor Pole	Fr2 D [N]	Fr2 C-L [N]
58,2	112	4,1	49,13	DXSC353	80A	2	9863	3945
58,1	119	4,0	16,16	DXSC352	90S	6	9827	3931
57,7	120	2,0	16,29	DXSC302	90S	6	5467	5467
57,3	120	4,0	25,14	DXSC352	80B	4	9837	3935
57,2	121	2,4	25,20	DXSC302	80B	4	5496	5496
55,9	123	2,4	25,79	DXSC302	80B	4	5527	5527
54,8	121	2,2	52,25	DXSC302	80A	2	5551	5551
53,5	124	3,6	53,53	DXSC352	80A	2	10000	4000
52,0	132	3,6	27,66	DXSC352	80B	4	10000	4000
52,0	128	3,5	55,00	DXSC352	80A	2	10000	4000
51,7	133	2,2	27,81	DXSC302	80B	4	5627	5627
51,7	126	3,6	55,29	DXSC353	80A	2	10000	4000
50,5	138	1,8	18,63	DXSC302	90S	6	5616	5616
49,5	135	1,9	57,86	DXSC302	80A	2	5703	5703
49,5	132	2,0	57,79	DXSC303	80A	2	5718	5718
48,8	134	3,4	58,72	DXSC353	80A	2	10000	4000
48,7	143	3,3	19,29	DXSC352	90S	6	10000	4000
48,1	138	1,9	59,42	DXSC302	80A	2	5725	5725
48,1	145	3,4	19,55	DXSC352	90S	6	10000	4000
48,0	143	2,0	30,00	DXSC302	80B	4	5699	5699
48,0	143	3,5	30,00	DXSC352	80B	4	10000	4000
47,6	146	1,7	19,73	DXSC302	90S	6	5691	5691
44,9	145	1,8	63,74	DXSC303	80A	2	5828	5828
44,6	156	1,7	21,04	DXSC302	90S	6	5803	5803
44,2	156	1,9	32,55	DXSC302	80B	4	5806	5806
43,6	160	1,7	21,53	DXSC302	90S	6	5833	5833
43,6	158	1,9	33,00	DXSC302	80B	4	5815	5815
43,4	150	3,0	65,85	DXSC353	80A	2	10000	4000
42,9	157	3,8	33,57	DXSC353	80B	4	10000	4000
42,5	162	3,3	33,93	DXSC352	80B	4	10000	4000
42,4	157	2,9	67,47	DXSC352	80A	2	10000	4000
42,2	163	1,8	34,09	DXSC302	80B	4	5857	5857
41,9	155	3,0	68,25	DXSC353	80A	2	10000	4000
40,6	171	2,9	23,18	DXSC352	90S	6	10000	4000
39,5	175	2,9	23,75	DXSC352	90S	6	10000	4000
39,5	171	2,1	36,50	DXSC303	80B	4	6000	6000
39,4	175	1,9	36,55	DXSC302	80B	4	5947	5947
39,4	175	3,4	36,57	DXSC352	80B	4	10000	4000
39,3	169	1,6	72,83	DXSC302	80A	2	5987	5987
39,0	178	1,5	24,07	DXSC302	90S	6	5976	5976
38,9	167	2,6	73,63	DXSC353	80A	2	10000	4000
38,5	169	1,6	74,20	DXSC303	80A	2	6000	6000

5.1 DXSC GEARED MOTORS (50Hz)

0,75 kW

n2 [rpm]	M2 [Nm]	fs	i	Gear reducer	Size	Motor Pole	Fr2 D [N]	Fr2 C-L [N]
38,1	177	3,4	37,77	DXSC353	80B	4	10000	4000
37,4	186	2,7	25,14	DXSC352	90S	6	10000	4000
37,3	186	1,6	25,20	DXSC302	90S	6	6000	6000
37,2	185	1,8	38,75	DXSC302	80B	4	6000	6000
36,6	178	1,5	78,14	DXSC303	80A	2	6000	6000
36,6	188	3,2	39,38	DXSC352	80B	4	10000	4000
36,5	191	1,6	25,79	DXSC302	90S	6	6000	6000
36,1	191	1,8	39,90	DXSC302	80B	4	6000	6000
35,9	188	3,2	40,05	DXSC353	80B	4	10000	4000
35,1	185	2,4	81,43	DXSC353	80A	2	10000	4000
35,0	186	4,1	81,71	DXSC403	80A	2	18000	6781
34,0	205	2,5	27,66	DXSC352	90S	6	10000	4000
33,8	206	1,5	27,81	DXSC302	90S	6	6000	6000
33,8	204	1,7	42,63	DXSC302	80B	4	6000	6000
33,0	209	2,9	43,64	DXSC352	80B	4	10000	4000
31,3	222	1,4	30,00	DXSC302	90S	6	6000	6000
31,3	220	1,6	46,00	DXSC302	80B	4	6000	6000
31,3	222	2,4	30,00	DXSC352	90S	6	10000	4000
31,2	208	3,6	91,49	DXSC403	80A	2	18000	7025
31,2	220	2,7	46,10	DXSC352	80B	4	10000	4000
30,5	226	1,5	47,20	DXSC302	80B	4	6000	6000
30,5	221	1,5	47,14	DXSC303	80B	4	6000	6000
29,8	218	1,2	95,84	DXSC303	80A	2	6000	6000
29,8	231	2,6	48,30	DXSC352	80B	4	10000	4000
29,3	230	2,6	49,13	DXSC353	80B	4	10000	4000
28,9	241	1,3	32,55	DXSC302	90S	6	6000	6000
28,6	227	2,0	99,89	DXSC353	80A	2	10000	4000
28,5	244	1,3	33,00	DXSC302	90S	6	6000	6000
28,4	229	3,3	100,62	DXSC403	80A	2	18000	7196
28,0	243	2,6	33,57	DXSC353	90S	6	10000	4000
27,7	251	2,3	33,93	DXSC352	90S	6	10000	4000
27,6	252	1,3	34,09	DXSC302	90S	6	6000	6000
27,6	250	1,4	52,25	DXSC302	80B	4	6000	6000
27,0	258	4,1	34,91	DXSC402	90S	6	18000	7200
26,9	256	2,3	53,53	DXSC352	80B	4	10000	4000
26,5	260	3,9	54,27	DXSC402	80B	4	18000	7200
26,5	262	4,0	35,50	DXSC402	90S	6	18000	7200
26,2	263	2,3	55,00	DXSC352	80B	4	10000	4000
26,0	259	2,4	55,29	DXSC353	80B	4	10000	4000
25,7	270	1,3	36,55	DXSC302	90S	6	6000	6000
25,7	264	1,4	36,50	DXSC303	90S	6	6000	6000
25,7	270	2,3	36,57	DXSC352	90S	6	10000	4000

0,75 kW

n2 [rpm]	M2 [Nm]	fs	i	Gear reducer	Size	Motor Pole	Fr2 D [N]	Fr2 C-L [N]
24,9	273	2,3	37,77	DXSC353	90S	6	10000	4000
24,9	276	1,2	57,86	DXSC302	80B	4	6000	6000
24,9	270	1,3	57,79	DXSC303	80B	4	6000	6000
24,5	275	2,2	58,72	DXSC353	80B	4	10000	4000
24,4	266	2,8	117,17	DXSC403	80A	2	18000	7200
24,3	284	1,2	59,42	DXSC302	80B	4	6000	6000
24,2	287	1,2	38,75	DXSC302	90S	6	6000	6000
23,9	291	2,2	39,38	DXSC352	90S	6	10000	4000
23,6	295	1,2	39,90	DXSC302	90S	6	6000	6000
23,5	290	2,2	40,05	DXSC353	90S	6	10000	4000
23,5	296	3,5	40,05	DXSC402	90S	6	18000	7200
23,2	296	3,4	61,98	DXSC402	80B	4	18000	7200
22,6	298	1,1	63,74	DXSC303	80B	4	6000	6000
22,6	287	1,6	126,43	DXSC353	80A	2	10000	4000
22,2	293	2,5	128,73	DXSC403	80A	2	18000	7200
22,1	315	1,1	42,63	DXSC302	90S	6	6000	6000
21,9	308	2,0	65,85	DXSC353	80B	4	10000	4000
21,9	318	3,3	43,05	DXSC402	90S	6	18000	7200
21,5	322	2,0	43,64	DXSC352	90S	6	10000	4000
21,3	322	1,9	67,47	DXSC352	80B	4	10000	4000
21,3	316	3,2	67,52	DXSC403	80B	4	18000	7200
21,1	319	1,9	68,25	DXSC353	80B	4	10000	4000
21,0	310	2,4	136,34	DXSC403	80A	2	18000	7200
20,4	340	1,1	46,00	DXSC302	90S	6	6000	6000
20,4	341	1,8	46,10	DXSC352	90S	6	10000	4000
20,3	321	3,8	141,24	DXSC503	80A	2	22000	9000
19,9	349	1,1	47,20	DXSC302	90S	6	6000	6000
19,9	341	1,1	47,14	DXSC303	90S	6	6000	6000
19,7	348	1,0	72,83	DXSC302	80B	4	6000	6000
19,5	345	1,7	73,63	DXSC353	80B	4	10000	4000
19,4	347	1,0	74,20	DXSC303	80B	4	6000	6000
19,4	347	2,9	74,18	DXSC403	80B	4	18000	7200
19,4	357	1,7	48,30	DXSC352	90S	6	10000	4000
19,1	355	1,7	49,13	DXSC353	90S	6	10000	4000
19,0	343	1,3	150,85	DXSC353	80A	2	10000	4000
18,7	371	2,8	50,25	DXSC402	90S	6	18000	7200
18,7	371	4,0	50,25	DXSC502	90S	6	22000	9000
18,4	366	0,9	78,14	DXSC303	80B	4	6000	6000
18,0	386	1,0	52,25	DXSC302	90S	6	6000	6000
18,0	361	2,1	158,76	DXSC403	80A	2	18000	7200
17,7	381	1,5	81,43	DXSC353	80B	4	10000	4000
17,6	382	2,6	81,71	DXSC403	80B	4	18000	7200

5.1 DXSC GEARED MOTORS (50Hz)

0,75 kW

n2 [rpm]	M2 [Nm]	fs	i	Gear reducer	Size	Motor Pole	Fr2 D [N]	Fr2 C-L [N]
17,6	395	1,6	53,53	DXSC352	90S	6	10000	4000
17,4	401	2,7	54,27	DXSC402	90S	6	18000	7200
17,1	406	1,5	55,00	DXSC352	90S	6	10000	4000
17,1	407	3,4	55,14	DXSC502	90S	6	22000	9000
17,0	400	1,5	55,29	DXSC353	90S	6	10000	4000
16,4	395	3,0	173,78	DXSC503	80A	2	22000	9000
16,0	420	3,8	89,77	DXSC503	80B	4	22000	9000
16,0	425	1,5	58,72	DXSC353	90S	6	10000	4000
15,8	439	3,8	59,40	DXSC502	90S	6	22000	9000
15,7	415	1,1	182,53	DXSC353	80A	2	10000	4000
15,7	428	2,3	91,49	DXSC403	80B	4	18000	7200
15,5	420	1,8	184,88	DXSC403	80A	2	18000	7200
15,5	421	1,1	185,05	DXSC353	80A	2	10000	4000
15,2	428	2,8	188,51	DXSC503	80A	2	22000	9000
15,1	458	2,2	61,98	DXSC402	90S	6	18000	7200
14,4	467	1,3	99,89	DXSC353	80B	4	10000	4000
14,4	469	3,4	100,15	DXSC503	80B	4	22000	9000
14,3	477	1,3	65,85	DXSC353	90S	6	10000	4000
14,3	471	2,1	100,62	DXSC403	80B	4	18000	7200
14,0	462	1,6	203,11	DXSC403	80A	2	18000	7200
14,0	462	2,6	203,11	DXSC503	80A	2	22000	9000
13,9	467	1,6	205,34	DXSC403	80A	2	18000	7200
13,9	498	1,2	67,47	DXSC352	90S	6	10000	4000
13,9	488	2,1	67,52	DXSC403	90S	6	18000	7200
13,9	501	3,4	67,84	DXSC502	90S	6	22000	9000
13,8	494	1,3	68,25	DXSC353	90S	6	10000	4000
13,1	517	3,1	110,55	DXSC503	80B	4	22000	9000
12,8	533	1,2	73,63	DXSC353	90S	6	10000	4000
12,8	506	2,4	222,85	DXSC503	80A	2	22000	9000
12,7	537	2,0	74,18	DXSC403	90S	6	18000	7200
12,7	537	3,1	74,18	DXSC503	90S	6	22000	9000
12,7	511	2,4	224,76	DXSC503	80A	2	22000	9000
12,6	514	1,4	226,04	DXSC403	80A	2	18000	7200
12,2	548	1,9	117,17	DXSC403	80B	4	18000	7200
11,9	567	2,8	121,29	DXSC503	80B	4	22000	9000
11,5	589	1,0	81,43	DXSC353	90S	6	10000	4000
11,5	591	1,7	81,71	DXSC403	90S	6	18000	7200
11,5	589	2,9	81,39	DXSC503	90S	6	22000	9000
11,4	591	1,0	126,43	DXSC353	80B	4	10000	4000
11,4	569	1,3	250,50	DXSC403	80A	2	18000	7200
11,2	602	1,7	128,73	DXSC403	80B	4	18000	7200
11,2	602	2,7	128,73	DXSC503	80B	4	22000	9000

5.1 DXSC GEARED MOTORS (50Hz)

0,75 kW

n2 [rpm]	M2 [Nm]	fs	i	Gear reducer	Motor Size	Pole	Fr2 D [N]	Fr2 C-L [N]
11,2	581	3,9	255,54	DXSC603	80A	2	30000	11200
10,7	605	1,2	266,13	DXSC403	80A	2	18000	7200
10,6	638	1,5	136,34	DXSC403	80B	4	18000	7200
10,5	649	2,6	89,77	DXSC503	90S	6	22000	9000
10,4	623	1,9	274,20	DXSC503	80A	2	22000	9000
10,3	662	1,6	91,49	DXSC403	90S	6	18000	7200
10,2	637	3,6	280,10	DXSC603	80A	2	30000	11200
10,2	639	1,9	280,89	DXSC503	80A	2	22000	9000
10,2	660	2,4	141,24	DXSC503	80B	4	22000	9000
9,8	664	1,1	292,36	DXSC403	80A	2	18000	7200
9,8	664	1,8	292,36	DXSC503	80A	2	22000	9000
9,5	684	3,3	301,16	DXSC603	80A	2	30000	11200
9,4	724	2,3	100,15	DXSC503	90S	6	22000	9000
9,3	728	1,4	100,62	DXSC403	90S	6	18000	7200
9,1	717	1,0	315,73	DXSC403	80A	2	18000	7200
9,1	743	1,3	158,76	DXSC403	80B	4	18000	7200
9,0	729	1,6	320,79	DXSC503	80A	2	22000	9000
8,5	800	2,1	110,55	DXSC503	90S	6	22000	9000
8,4	814	3,9	112,52	DXSC603	90S	6	30000	11200
8,4	782	2,9	343,93	DXSC603	80A	2	30000	11200
8,3	813	2,0	173,78	DXSC503	80B	4	22000	9000
8,3	785	1,5	345,60	DXSC503	80A	2	22000	9000
8,1	830	3,6	177,53	DXSC603	80B	4	30000	11200
8,0	848	1,2	117,17	DXSC403	90S	6	18000	7200
7,8	864	1,1	184,88	DXSC403	80B	4	18000	7200
7,8	878	1,9	121,29	DXSC503	90S	6	22000	9000
7,7	893	3,6	123,33	DXSC603	90S	6	30000	11200
7,7	882	1,8	188,51	DXSC503	80B	4	22000	9000
7,4	910	3,3	194,59	DXSC603	80B	4	30000	11200
7,3	931	1,1	128,73	DXSC403	90S	6	18000	7200
7,3	931	1,8	128,73	DXSC503	90S	6	22000	9000
7,2	897	1,3	394,69	DXSC503	80A	2	22000	9000
7,2	941	3,3	130,04	DXSC603	90S	6	30000	11200
7,1	950	1,1	203,11	DXSC403	80B	4	18000	7200
7,1	950	1,7	203,11	DXSC503	80B	4	22000	9000
7,0	960	1,0	205,34	DXSC403	80B	4	18000	7200
7,0	968	3,3	133,78	DXSC603	90S	6	30000	11200
6,8	987	1,0	136,34	DXSC403	90S	6	18000	7200
6,7	1022	1,6	141,24	DXSC503	90S	6	22000	9000
6,7	1008	3,0	215,60	DXSC603	80B	4	30000	11200
6,5	1042	1,5	222,85	DXSC503	80B	4	22000	9000
6,4	1057	0,9	226,04	DXSC403	80B	4	18000	7200

5.1 DXSC GEARED MOTORS (50Hz)

0,75 kW

n2 [rpm]	M2 [Nm]	fs	i	Gear reducer	Size	Motor Pole	Fr2 D [N]	Fr2 C-L [N]
6,4	1051	1,5	224,76	DXSC503	80B	4	22000	9000
6,2	1095	2,9	151,43	DXSC603	90S	6	30000	11200
6,0	1117	2,7	238,93	DXSC603	80B	4	30000	11200
5,9	1149	0,9	158,76	DXSC403	90S	6	18000	7200
5,6	1195	2,5	255,54	DXSC603	80B	4	30000	11200
5,4	1257	1,3	173,78	DXSC503	90S	6	22000	9000
5,3	1284	2,5	177,53	DXSC603	90S	6	30000	11200
5,2	1282	1,2	274,20	DXSC503	80B	4	22000	9000
5,1	1314	1,2	280,89	DXSC503	80B	4	22000	9000
5,1	1310	2,3	280,10	DXSC603	80B	4	30000	11200
5,0	1364	1,2	188,51	DXSC503	90S	6	22000	9000
4,9	1367	1,2	292,36	DXSC503	80B	4	22000	9000
4,8	1408	2,2	194,59	DXSC603	90S	6	30000	11200
4,7	1408	2,1	301,16	DXSC603	80B	4	30000	11200
4,6	1469	1,1	203,11	DXSC503	90S	6	22000	9000
4,5	1500	1,0	320,79	DXSC503	80B	4	22000	9000
4,4	1560	2,0	215,60	DXSC603	90S	6	30000	11200
4,2	1608	1,9	343,93	DXSC603	80B	4	30000	11200
4,2	1612	1,0	222,85	DXSC503	90S	6	22000	9000
4,2	1626	1,0	224,76	DXSC503	90S	6	22000	9000
4,2	1616	1,0	345,60	DXSC503	80B	4	22000	9000
4,0	1728	1,8	238,93	DXSC603	90S	6	30000	11200
3,7	1849	1,7	255,54	DXSC603	90S	6	30000	11200
3,4	2026	1,6	280,10	DXSC603	90S	6	30000	11200
3,1	2179	1,4	301,16	DXSC603	90S	6	30000	11200
2,7	2488	1,3	343,93	DXSC603	90S	6	30000	11200

1,10 kW

n2 [rpm]	M2 [Nm]	fs	i	Gear reducer	Size	Motor Pole	Fr2 D [N]	Fr2 C-L [N]
256,7	38	3,8	11,14	DXSC302	80B	2	3530	3530
238,3	41	3,7	12,00	DXSC302	80B	2	3606	3606
209,5	47	3,4	13,66	DXSC302	80B	2	3749	3749
187,3	52	3,4	15,27	DXSC302	80B	2	3871	3871
175,6	56	3,2	16,29	DXSC302	80B	2	3937	3937
165,8	61	2,8	8,63	DXSC302	90S	4	3979	3979
153,5	64	2,8	18,63	DXSC302	80B	2	4083	4083
145,0	68	2,7	19,73	DXSC302	80B	2	4146	4146
136,0	72	2,7	21,04	DXSC302	80B	2	4210	4210
132,8	73	2,6	21,53	DXSC302	80B	2	4243	4243
128,4	79	2,4	11,14	DXSC302	90S	4	4258	4258
119,2	85	2,4	12,00	DXSC302	90S	4	4340	4340

5.1 DXSC GEARED MOTORS (50Hz)

1,10 kW

n2 [rpm]	M2 [Nm]	fs	i	Gear reducer	Motor Size	Pole	Fr2 D [N]	Fr2 C-L [N]
118,8	82	2,4	24,07	DXSC302	80B	2	4372	4372
113,5	86	2,5	25,20	DXSC302	80B	2	4423	4423
111,0	88	2,5	25,79	DXSC302	80B	2	4449	4449
110,1	92	1,9	8,63	DXSC302	100LR	6	4421	4421
106,5	96	3,6	8,92	DXSC352	100LR	6	8014	3206
104,7	96	2,2	13,66	DXSC302	90S	4	4482	4482
103,4	94	3,8	27,66	DXSC352	80B	2	8124	3250
102,8	95	2,3	27,81	DXSC302	80B	2	4522	4522
99,5	102	3,7	9,55	DXSC352	100LR	6	8166	3267
95,4	102	2,1	30,00	DXSC302	80B	2	4615	4615
95,4	102	3,6	30,00	DXSC352	80B	2	8310	3324
93,6	108	2,2	15,27	DXSC302	90S	4	4606	4606
89,7	113	4,0	15,94	DXSC352	90S	4	8458	3383
89,2	114	3,3	10,65	DXSC352	100LR	6	8415	3366
88,5	114	3,9	16,16	DXSC352	90S	4	8442	3377
87,9	111	2,0	32,55	DXSC302	80B	2	4707	4707
87,8	115	2,1	16,29	DXSC302	90S	4	4676	4676
86,7	112	2,0	33,00	DXSC302	80B	2	4722	4722
85,3	119	1,7	11,14	DXSC302	100LR	6	4702	4702
85,2	112	4,0	33,57	DXSC353	80B	2	8587	3435
84,3	116	3,5	33,93	DXSC352	80B	2	8604	3442
83,9	116	1,9	34,09	DXSC302	80B	2	4759	4759
81,1	126	3,3	11,71	DXSC352	100LR	6	8634	3454
79,2	129	1,6	12,00	DXSC302	100LR	6	4782	4782
78,4	122	2,2	36,50	DXSC303	80B	2	4842	4842
78,2	125	2,0	36,55	DXSC302	80B	2	4840	4840
78,2	125	3,6	36,57	DXSC352	80B	2	8781	3513
76,7	131	1,8	18,63	DXSC302	90S	4	4846	4846
75,7	126	3,6	37,77	DXSC353	80B	2	8867	3547
74,2	136	3,3	19,29	DXSC352	90S	4	8902	3561
73,8	132	1,9	38,75	DXSC302	80B	2	4901	4901
73,1	138	3,4	19,55	DXSC352	90S	4	8934	3574
72,8	140	3,1	13,06	DXSC352	100LR	6	8888	3555
72,6	134	3,3	39,38	DXSC352	80B	2	8948	3579
72,5	139	1,7	19,73	DXSC302	90S	4	4907	4907
71,7	136	1,9	39,90	DXSC302	80B	2	4933	4933
71,4	134	3,3	40,05	DXSC353	80B	2	9015	3606
71,1	143	3,1	13,36	DXSC352	100LR	6	8941	3576
69,6	146	1,5	13,66	DXSC302	100LR	6	4920	4920
68,0	149	1,7	21,04	DXSC302	90S	4	4975	4975
67,1	145	1,8	42,63	DXSC302	80B	2	5009	5009
66,4	152	1,7	21,53	DXSC302	90S	4	4977	4977

1,10 kW

n2 [rpm]	M2 [Nm]	fs	i	Gear reducer	Motor Size	Pole	Fr2 D [N]	Fr2 C-L [N]
65,6	149	3,0	43,64	DXSC352	80B	2	9194	3677
62,2	164	1,5	15,27	DXSC302	100LR	6	5036	5036
62,2	157	1,7	46,00	DXSC302	80B	2	5079	5079
62,1	157	2,8	46,10	DXSC352	80B	2	9334	3734
61,7	164	2,9	23,18	DXSC352	90S	4	9336	3734
60,6	157	1,7	47,14	DXSC303	80B	2	5136	5136
60,6	161	1,6	47,20	DXSC302	80B	2	5107	5107
60,2	167	2,8	23,75	DXSC352	90S	4	9394	3758
59,6	171	2,8	15,94	DXSC352	100LR	6	9357	3743
59,4	170	1,5	24,07	DXSC302	90S	4	5093	5093
59,2	165	2,7	48,30	DXSC352	80B	2	9438	3775
58,8	173	2,7	16,16	DXSC352	100LR	6	9390	3756
58,3	175	1,4	16,29	DXSC302	100LR	6	5101	5101
58,2	164	2,7	49,13	DXSC353	80B	2	9484	3794
56,9	177	2,8	25,14	DXSC352	90S	4	9529	3812
56,8	178	1,6	25,20	DXSC302	90S	4	5160	5160
55,5	182	1,6	25,79	DXSC302	90S	4	5183	5183
54,8	178	1,5	52,25	DXSC302	80B	2	5224	5224
53,5	182	2,4	53,53	DXSC352	80B	2	9695	3878
52,0	187	2,4	55,00	DXSC352	80B	2	9760	3904
51,7	184	2,4	55,29	DXSC353	80B	2	9798	3919
51,7	195	2,5	27,66	DXSC352	90S	4	9705	3882
51,4	196	1,5	27,81	DXSC302	90S	4	5236	5236
51,0	200	1,3	18,63	DXSC302	100LR	6	5233	5233
49,9	204	4,0	19,03	DXSC402	100LR	6	18000	5962
49,5	193	1,4	57,79	DXSC303	80B	2	5338	5338
49,4	197	1,3	57,86	DXSC302	80B	2	5316	5316
49,3	207	2,3	19,29	DXSC352	100LR	6	9807	3923
48,7	196	2,3	58,72	DXSC353	80B	2	9919	3968
48,6	210	2,3	19,55	DXSC352	100LR	6	9839	3936
48,2	212	1,2	19,73	DXSC302	100LR	6	5286	5286
48,1	203	1,3	59,42	DXSC302	80B	2	5348	5348
47,7	212	1,4	30,00	DXSC302	90S	4	5308	5308
47,7	212	2,4	30,00	DXSC352	90S	4	9898	3959
47,2	216	3,7	20,14	DXSC402	100LR	6	18000	6067
46,1	211	3,6	61,98	DXSC402	80B	2	18000	6117
45,2	226	1,2	21,04	DXSC302	100LR	6	5345	5345
44,9	213	1,2	63,74	DXSC303	80B	2	5445	5445
44,1	231	1,2	21,53	DXSC302	100LR	6	5365	5365
43,9	230	1,3	32,55	DXSC302	90S	4	5382	5382
43,5	220	2,0	65,85	DXSC353	80B	2	10000	4000
43,3	233	1,3	33,00	DXSC302	90S	4	5413	5413

5.1 DXSC GEARED MOTORS (50Hz)

1,10 kW

n2 [rpm]	M2 [Nm]	fs	i	Gear reducer	Motor Size	Pole	Fr2 D [N]	Fr2 C-L [N]
42,9	237	3,5	22,13	DXSC402	100LR	6	18000	6244
42,6	232	2,6	33,57	DXSC353	90S	4	10000	4000
42,4	230	2,0	67,47	DXSC352	80B	2	10000	4000
42,4	225	3,3	67,52	DXSC403	80B	2	18000	6299
42,2	239	2,3	33,93	DXSC352	90S	4	10000	4000
42,0	241	1,2	34,09	DXSC302	90S	4	5440	5440
41,9	228	2,0	68,25	DXSC353	80B	2	10000	4000
41,0	249	2,0	23,18	DXSC352	100LR	6	10000	4000
41,0	246	4,1	34,91	DXSC402	90S	4	18000	6378
40,2	251	4,0	35,50	DXSC402	90S	4	18000	6411
40,0	255	1,9	23,75	DXSC352	100LR	6	10000	4000
39,6	257	3,3	24,00	DXSC402	100LR	6	18000	6402
39,5	258	1,1	24,07	DXSC302	100LR	6	5458	5458
39,3	248	1,1	72,83	DXSC302	80B	2	5535	5535
39,2	252	1,4	36,50	DXSC303	90S	4	5510	5510
39,1	258	1,3	36,55	DXSC302	90S	4	5480	5480
39,1	258	2,3	36,57	DXSC352	90S	4	10000	4000
38,8	245	1,8	73,63	DXSC353	80B	2	10000	4000
38,5	247	1,1	74,20	DXSC303	80B	2	5585	5585
38,5	247	3,0	74,18	DXSC403	80B	2	18000	6490
37,9	261	2,3	37,77	DXSC353	90S	4	10000	4000
37,8	270	1,9	25,14	DXSC352	100LR	6	10000	4000
37,7	270	1,1	25,20	DXSC302	100LR	6	5494	5494
36,9	273	1,2	38,75	DXSC302	90S	4	5542	5542
36,8	276	1,1	25,79	DXSC302	100LR	6	5511	5511
36,6	260	1,0	78,14	DXSC303	80B	2	5626	5626
36,5	279	3,0	26,05	DXSC402	100LR	6	18000	6563
36,4	278	2,1	39,38	DXSC352	90S	4	10000	4000
35,8	281	1,2	39,90	DXSC302	90S	4	5548	5548
35,8	277	2,1	40,05	DXSC353	90S	4	10000	4000
35,8	283	3,6	40,05	DXSC402	90S	4	18000	6650
35,2	271	1,6	81,43	DXSC353	80B	2	10000	4000
35,0	272	2,7	81,71	DXSC403	80B	2	18000	6684
34,8	293	3,2	27,29	DXSC402	100LR	6	18000	6656
34,4	297	1,7	27,66	DXSC352	100LR	6	10000	4000
34,2	298	1,0	27,81	DXSC302	100LR	6	5565	5565
33,5	301	1,2	42,63	DXSC302	90S	4	5594	5594
33,2	304	3,3	43,05	DXSC402	90S	4	18000	6754
33,1	307	3,1	28,67	DXSC402	100LR	6	18000	6756
32,8	308	1,9	43,64	DXSC352	90S	4	10000	4000
32,1	317	3,0	29,60	DXSC402	100LR	6	18000	6821
31,8	299	4,0	89,77	DXSC503	80B	2	22000	8481

5.1 DXSC GEARED MOTORS (50Hz)

1,10 kW

n2 [rpm]	M2 [Nm]	fs	i	Gear reducer	Motor Size	Pole	Fr2 D [N]	Fr2 C-L [N]
31,7	322	1,6	30,00	DXSC352	100LR	6	10000	4000
31,3	305	2,5	91,49	DXSC403	80B	2	18000	6895
31,1	324	1,1	46,00	DXSC302	90S	4	5655	5655
31,1	325	1,8	46,10	DXSC352	90S	4	10000	4000
30,3	326	1,1	47,14	DXSC303	90S	4	5710	5710
30,3	333	1,1	47,20	DXSC302	90S	4	5658	5658
29,9	341	3,1	31,78	DXSC402	100LR	6	18000	6968
29,6	341	1,8	48,30	DXSC352	90S	4	10000	4000
29,2	349	0,9	32,55	DXSC302	100LR	6	5659	5659
29,1	340	1,7	49,13	DXSC353	90S	4	10000	4000
28,6	333	1,4	99,89	DXSC353	80B	2	10000	4000
28,6	334	3,6	100,15	DXSC503	80B	2	22000	8756
28,5	354	2,9	50,25	DXSC402	90S	4	18000	7120
28,5	354	4,0	50,25	DXSC502	90S	4	22000	8809
28,4	336	2,2	100,62	DXSC403	80B	2	18000	7111
28,0	364	1,6	33,93	DXSC352	100LR	6	10000	4000
27,4	368	0,9	52,25	DXSC302	90S	4	5719	5719
27,2	374	2,8	34,91	DXSC402	100LR	6	18000	7166
27,2	374	3,9	34,91	DXSC502	100LR	6	22000	8870
26,8	381	2,8	35,50	DXSC402	100LR	6	18000	7200
26,8	378	1,6	53,53	DXSC352	90S	4	10000	4000
26,4	383	2,6	54,27	DXSC402	90S	4	18000	7200
26,0	392	1,6	36,57	DXSC352	100LR	6	10000	4000
26,0	388	1,5	55,00	DXSC352	90S	4	10000	4000
25,9	382	1,6	55,29	DXSC353	90S	4	10000	4000
25,9	389	3,3	55,14	DXSC502	90S	4	22000	9000
25,9	368	3,2	110,55	DXSC503	80B	2	22000	9000
24,8	411	3,8	38,30	DXSC502	100LR	6	22000	9000
24,5	391	1,9	117,17	DXSC403	80B	2	18000	7200
24,3	405	1,4	58,72	DXSC353	90S	4	10000	4000
24,1	419	3,8	59,40	DXSC502	90S	4	22000	9000
24,1	422	1,5	39,38	DXSC352	100LR	6	10000	4000
23,7	429	2,4	40,05	DXSC402	100LR	6	18000	7200
23,6	404	2,9	121,29	DXSC503	80B	2	22000	9000
23,1	437	2,3	61,98	DXSC402	90S	4	18000	7200
22,6	422	1,1	126,43	DXSC353	80B	2	10000	4000
22,3	456	3,2	42,53	DXSC502	100LR	6	22000	9000
22,2	429	1,7	128,73	DXSC403	80B	2	18000	7200
22,2	429	2,8	128,73	DXSC503	80B	2	22000	9000
22,1	462	2,3	43,05	DXSC402	100LR	6	18000	7200
21,8	468	1,3	43,64	DXSC352	100LR	6	10000	4000
21,7	455	1,3	65,85	DXSC353	90S	4	10000	4000

5.1 DXSC GEARED MOTORS (50Hz)

1,10 kW

n2 [rpm]	M2 [Nm]	fs	i	Gear reducer	Motor Size	Pole	Fr2 D [N]	Fr2 C-L [N]
21,6	472	2,9	44,00	DXSC502	100LR	6	22000	9000
21,2	476	1,3	67,47	DXSC352	90S	4	10000	4000
21,1	466	2,1	67,52	DXSC403	90S	4	18000	7200
21,0	479	3,4	67,84	DXSC502	90S	4	22000	9000
21,0	454	1,6	136,34	DXSC403	80B	2	18000	7200
21,0	471	1,3	68,25	DXSC353	90S	4	10000	4000
20,2	471	2,5	141,24	DXSC503	80B	2	22000	9000
20,2	505	3,3	47,13	DXSC502	100LR	6	22000	9000
19,7	518	1,2	48,30	DXSC352	100LR	6	10000	4000
19,4	508	1,2	73,63	DXSC353	90S	4	10000	4000
19,3	512	1,9	74,18	DXSC403	90S	4	18000	7200
19,3	512	3,2	74,18	DXSC503	90S	4	22000	9000
18,9	539	1,9	50,25	DXSC402	100LR	6	18000	7200
18,9	539	2,7	50,25	DXSC502	100LR	6	22000	9000
18,0	529	1,4	158,76	DXSC403	80B	2	18000	7200
17,7	574	1,1	53,53	DXSC352	100LR	6	10000	4000
17,6	562	1,1	81,43	DXSC353	90S	4	10000	4000
17,6	562	2,8	81,39	DXSC503	90S	4	22000	9000
17,5	582	1,8	54,27	DXSC402	100LR	6	18000	7200
17,5	564	1,8	81,71	DXSC403	90S	4	18000	7200
17,2	591	2,3	55,14	DXSC502	100LR	6	22000	9000
16,5	579	2,1	173,78	DXSC503	80B	2	22000	9000
16,1	592	3,8	177,53	DXSC603	80B	2	30000	11200
16,0	637	2,6	59,40	DXSC502	100LR	6	22000	9000
15,9	620	2,6	89,77	DXSC503	90S	4	22000	9000
15,6	632	1,6	91,49	DXSC403	90S	4	18000	7200
15,5	616	1,2	184,88	DXSC403	80B	2	18000	7200
15,3	664	1,6	61,98	DXSC402	100LR	6	18000	7200
15,2	629	1,9	188,51	DXSC503	80B	2	22000	9000
14,7	648	3,4	194,59	DXSC603	80B	2	30000	11200
14,3	692	2,3	100,15	DXSC503	90S	4	22000	9000
14,2	695	1,4	100,62	DXSC403	90S	4	18000	7200
14,1	709	1,5	67,52	DXSC403	100LR	6	18000	7200
14,1	677	1,1	203,11	DXSC403	80B	2	18000	7200
14,1	677	1,8	203,11	DXSC503	80B	2	22000	9000
14,0	727	2,3	67,84	DXSC502	100LR	6	22000	9000
13,9	684	1,1	205,34	DXSC403	80B	2	18000	7200
13,4	746	3,8	71,07	DXSC603	100LR	6	30000	11200
13,2	718	3,1	215,60	DXSC603	80B	2	30000	11200
13,0	764	2,1	110,55	DXSC503	90S	4	22000	9000
12,8	779	1,3	74,18	DXSC403	100LR	6	18000	7200
12,8	779	2,2	74,18	DXSC503	100LR	6	22000	9000

5.1 DXSC GEARED MOTORS (50Hz)

1,10 kW

n2 [rpm]	M2 [Nm]	fs	i	Gear reducer	Motor Size	Pole	Fr2 D [N]	Fr2 C-L [N]
12,8	743	1,6	222,85	DXSC503	80B	2	22000	9000
12,7	749	1,6	224,76	DXSC503	80B	2	22000	9000
12,7	777	3,9	112,52	DXSC603	90S	4	30000	11200
12,2	809	1,2	117,17	DXSC403	90S	4	18000	7200
12,1	824	3,8	78,46	DXSC603	100LR	6	30000	11200
11,9	797	2,8	238,93	DXSC603	80B	2	30000	11200
11,7	838	1,9	121,29	DXSC503	90S	4	22000	9000
11,7	855	2,0	81,39	DXSC503	100LR	6	22000	9000
11,6	858	1,2	81,71	DXSC403	100LR	6	18000	7200
11,6	852	3,5	123,33	DXSC603	90S	4	30000	11200
11,2	851	2,6	255,54	DXSC603	80B	2	30000	11200
11,1	889	1,1	128,73	DXSC403	90S	4	18000	7200
11,1	889	1,8	128,73	DXSC503	90S	4	22000	9000
11,0	898	3,3	130,04	DXSC603	90S	4	30000	11200
10,9	916	3,4	87,27	DXSC603	100LR	6	30000	11200
10,7	924	3,3	133,78	DXSC603	90S	4	30000	11200
10,6	942	1,8	89,77	DXSC503	100LR	6	22000	9000
10,5	942	1,0	136,34	DXSC403	90S	4	18000	7200
10,4	961	1,1	91,49	DXSC403	100LR	6	18000	7200
10,4	914	1,3	274,20	DXSC503	80B	2	22000	9000
10,2	936	1,3	280,89	DXSC503	80B	2	22000	9000
10,2	933	2,4	280,10	DXSC603	80B	2	30000	11200
10,1	975	1,6	141,24	DXSC503	90S	4	22000	9000
9,8	974	1,2	292,36	DXSC503	80B	2	22000	9000
9,5	1051	1,6	100,15	DXSC503	100LR	6	22000	9000
9,5	1003	2,2	301,16	DXSC603	80B	2	30000	11200
9,4	1056	1,0	100,62	DXSC403	100LR	6	18000	7200
9,4	1046	2,9	151,43	DXSC603	90S	4	30000	11200
9,0	1096	0,9	158,76	DXSC403	90S	4	18000	7200
9,0	1112	2,8	105,91	DXSC603	100LR	6	30000	11200
8,9	1069	1,1	320,79	DXSC503	80B	2	22000	9000
8,6	1161	1,4	110,55	DXSC503	100LR	6	22000	9000
8,4	1181	2,7	112,52	DXSC603	100LR	6	30000	11200
8,3	1146	2,0	343,93	DXSC603	80B	2	30000	11200
8,3	1200	1,3	173,78	DXSC503	90S	4	22000	9000
8,3	1152	1,0	345,60	DXSC503	80B	2	22000	9000
8,1	1226	2,4	177,53	DXSC603	90S	4	30000	11200
7,8	1273	1,3	121,29	DXSC503	100LR	6	22000	9000
7,7	1295	2,4	123,33	DXSC603	100LR	6	30000	11200
7,6	1302	1,2	188,51	DXSC503	90S	4	22000	9000
7,4	1351	1,2	128,73	DXSC503	100LR	6	22000	9000
7,3	1365	2,3	130,04	DXSC603	100LR	6	30000	11200

5.1 DXSC GEARED MOTORS (50Hz)

1,10 kW

n2 [rpm]	M2 [Nm]	fs	i	Gear reducer	Size	Motor Pole	Fr2 D [N]	Fr2 C-L [N]
7,3	1344	2,2	194,59	DXSC603	90S	4	30000	11200
7,1	1404	2,2	133,78	DXSC603	100LR	6	30000	11200
7,0	1403	1,1	203,11	DXSC503	90S	4	22000	9000
6,7	1483	1,1	141,24	DXSC503	100LR	6	22000	9000
6,6	1489	2,0	215,60	DXSC603	90S	4	30000	11200
6,4	1539	1,0	222,85	DXSC503	90S	4	22000	9000
6,4	1552	1,0	224,76	DXSC503	90S	4	22000	9000
6,3	1590	2,0	151,43	DXSC603	100LR	6	30000	11200
6,0	1650	1,8	238,93	DXSC603	90S	4	30000	11200
5,6	1765	1,7	255,54	DXSC603	90S	4	30000	11200
5,5	1824	0,9	173,78	DXSC503	100LR	6	22000	9000
5,4	1864	1,7	177,53	DXSC603	100LR	6	30000	11200
5,1	1935	1,5	280,10	DXSC603	90S	4	30000	11200
4,9	2043	1,5	194,59	DXSC603	100LR	6	30000	11200
4,7	2080	1,4	301,16	DXSC603	90S	4	30000	11200
4,4	2263	1,4	215,60	DXSC603	100LR	6	30000	11200
4,2	2375	1,2	343,93	DXSC603	90S	4	30000	11200
4,0	2508	1,3	238,93	DXSC603	100LR	6	30000	11200
3,7	2683	1,2	255,54	DXSC603	100LR	6	30000	11200
3,4	2941	1,1	280,10	DXSC603	100LR	6	30000	11200
3,2	3162	1,0	301,16	DXSC603	100LR	6	30000	11200

1,50 kW

n2 [rpm]	M2 [Nm]	fs	i	Gear reducer	Size	Motor Pole	Fr2 D [N]	Fr2 C-L [N]
331,6	40	3,2	8,63	DXSC302	90S	2	3211	3211
256,7	52	2,8	11,14	DXSC302	90S	2	3447	3447
238,3	56	2,7	12,00	DXSC302	90S	2	3520	3520
209,5	64	2,5	13,66	DXSC302	90S	2	3650	3650
187,2	71	2,5	15,27	DXSC302	90S	2	3747	3747
175,6	76	2,4	16,29	DXSC302	90S	2	3812	3812
165,8	83	2,0	8,63	DXSC302	90L	4	3857	3857
160,3	86	3,9	8,92	DXSC352	90L	4	7030	2812
153,5	86	2,1	18,63	DXSC302	90S	2	3949	3949
149,8	92	3,9	9,55	DXSC352	90L	4	7162	2865
148,3	89	3,7	19,29	DXSC352	90S	2	7175	2870
146,3	91	3,8	19,55	DXSC352	90S	2	7188	2875
145,0	92	2,0	19,73	DXSC302	90S	2	3997	3997
136,0	98	2,0	21,04	DXSC302	90S	2	4059	4059
134,3	103	3,5	10,65	DXSC352	90L	4	7378	2951
132,8	100	2,0	21,53	DXSC302	90S	2	4078	4078
128,4	107	1,8	11,14	DXSC302	90L	4	4099	4099

5.1 DXSC GEARED MOTORS (50Hz)

1,50 kW

n2 [rpm]	M2 [Nm]	fs	i	Gear reducer	Size	Motor Pole	Fr2 D [N]	Fr2 C-L [N]
123,4	108	3,3	23,18	DXSC352	90S	2	7530	3012
122,1	113	3,5	11,71	DXSC352	90L	4	7526	3010
120,4	110	3,2	23,75	DXSC352	90S	2	7572	3029
119,2	116	1,7	12,00	DXSC302	90L	4	4181	4181
118,8	112	1,7	24,07	DXSC302	90S	2	4187	4187
117,5	118	2,9	8,00	DXSC352	100L	6	7596	3038
113,8	117	3,1	25,14	DXSC352	90S	2	7695	3078
113,5	117	1,9	25,20	DXSC302	90S	2	4227	4227
110,9	120	1,8	25,79	DXSC302	90S	2	4252	4252
109,5	126	3,3	13,06	DXSC352	90L	4	7745	3098
109,0	128	1,4	8,63	DXSC302	100L	6	4245	4245
107,0	128	3,3	13,36	DXSC352	90L	4	7834	3134
105,4	132	2,6	8,92	DXSC352	100L	6	7815	3126
104,7	131	1,6	13,66	DXSC302	90L	4	4298	4298
103,4	128	2,8	27,66	DXSC352	90S	2	7884	3154
102,8	129	1,7	27,81	DXSC302	90S	2	4319	4319
98,4	141	2,7	9,55	DXSC352	100L	6	7974	3189
95,4	139	1,6	30,00	DXSC302	90S	2	4389	4389
95,4	139	2,7	30,00	DXSC352	90S	2	8052	3221
93,6	147	1,6	15,27	DXSC302	90L	4	4378	4378
89,7	154	3,0	15,94	DXSC352	90L	4	8194	3277
88,5	156	2,9	16,16	DXSC352	90L	4	8193	3277
88,3	157	2,4	10,65	DXSC352	100L	6	8195	3278
87,9	152	1,5	32,55	DXSC302	90S	2	4462	4462
87,8	157	1,5	16,29	DXSC302	90L	4	4434	4434
86,7	154	1,5	33,00	DXSC302	90S	2	4474	4474
85,2	153	3,0	33,57	DXSC353	90S	2	8312	3325
84,4	165	1,2	11,14	DXSC302	100L	6	4458	4458
84,3	158	2,6	33,93	DXSC352	90S	2	8328	3331
83,9	159	1,4	34,09	DXSC302	90S	2	4503	4503
80,3	173	2,3	11,71	DXSC352	100L	6	8388	3355
78,4	166	1,6	36,50	DXSC303	90S	2	4585	4585
78,3	177	1,2	12,00	DXSC302	100L	6	4527	4527
78,3	170	1,5	36,55	DXSC302	90S	2	4565	4565
78,2	170	2,7	36,57	DXSC352	90S	2	8470	3388
76,7	179	1,3	18,63	DXSC302	90L	4	4562	4562
75,7	172	2,6	37,77	DXSC353	90S	2	8560	3424
74,1	186	2,4	19,29	DXSC352	90L	4	8553	3421
73,8	180	1,4	38,75	DXSC302	90S	2	4614	4614
73,1	188	2,4	19,55	DXSC352	90L	4	8566	3427
72,6	183	2,5	39,38	DXSC352	90S	2	8623	3449
72,5	190	1,3	19,73	DXSC302	90L	4	4591	4591

5.1 DXSC GEARED MOTORS (50Hz)

1,50 kW

n2 [rpm]	M2 [Nm]	fs	i	Gear reducer	Motor Size	Pole	Fr2 D [N]	Fr2 C-L [N]
72,0	193	2,3	13,06	DXSC352	100L	6	8587	3435
71,7	185	1,4	39,90	DXSC302	90S	2	4638	4638
71,4	182	2,5	40,05	DXSC353	90S	2	8683	3473
71,0	194	4,0	20,14	DXSC402	90L	4	18000	5296
70,4	197	2,2	13,36	DXSC352	100L	6	8632	3453
68,8	202	1,1	13,66	DXSC302	100L	6	4618	4618
68,0	203	1,3	21,04	DXSC302	90L	4	4655	4655
67,1	198	1,3	42,63	DXSC302	90S	2	4691	4691
66,9	208	3,8	14,04	DXSC402	100L	6	18000	5391
66,5	208	1,2	21,53	DXSC302	90L	4	4662	4662
66,4	200	3,8	43,05	DXSC402	90S	2	18000	5412
65,6	203	2,2	43,64	DXSC352	90S	2	8827	3531
64,6	213	3,8	22,13	DXSC402	90L	4	18000	5451
62,2	214	1,2	46,00	DXSC302	90S	2	4746	4746
62,0	214	2,1	46,10	DXSC352	90S	2	8947	3579
61,7	223	2,1	23,18	DXSC352	90L	4	8951	3581
61,5	226	1,1	15,27	DXSC302	100L	6	4697	4697
60,9	228	3,5	15,43	DXSC402	100L	6	18000	5548
60,6	219	1,2	47,20	DXSC302	90S	2	4772	4772
60,6	214	1,2	47,14	DXSC303	90S	2	4798	4798
60,2	228	2,0	23,75	DXSC352	90L	4	8972	3589
59,7	233	3,4	15,73	DXSC402	100L	6	18000	5598
59,5	231	3,5	24,00	DXSC402	90L	4	18000	5624
59,4	231	1,1	24,07	DXSC302	90L	4	4739	4739
59,2	224	2,0	48,30	DXSC352	90S	2	9057	3623
59,0	235	2,0	15,94	DXSC352	100L	6	9005	3602
58,2	223	2,0	49,13	DXSC353	90S	2	9121	3649
58,2	239	2,0	16,16	DXSC352	100L	6	9011	3605
57,7	241	1,0	16,29	DXSC302	100L	6	4739	4739
56,9	242	2,0	25,14	DXSC352	90L	4	9070	3628
56,9	233	3,2	50,25	DXSC402	90S	2	18000	5686
56,8	243	1,2	25,20	DXSC302	90L	4	4777	4777
55,5	248	1,2	25,79	DXSC302	90L	4	4782	4782
54,9	251	3,2	26,05	DXSC402	90L	4	18000	5765
54,7	243	1,1	52,25	DXSC302	90S	2	4835	4835
54,4	256	3,2	17,29	DXSC402	100L	6	18000	5743
53,4	249	1,8	53,53	DXSC352	90S	2	9242	3697
52,7	252	3,0	54,27	DXSC402	90S	2	18000	5820
52,4	262	3,5	27,29	DXSC402	90L	4	18000	5846
52,0	255	1,8	55,00	DXSC352	90S	2	9317	3727
51,9	256	3,8	55,14	DXSC502	90S	2	22000	7220
51,8	251	1,8	55,29	DXSC353	90S	2	9362	3745

5.1 DXSC GEARED MOTORS (50Hz)

1,50 kW

n2 [rpm]	M2 [Nm]	fs	i	Gear reducer	Size	Motor Pole	Fr2 D [N]	Fr2 C-L [N]
51,7	266	1,8	27,66	DXSC352	90L	4	9296	3719
51,4	267	1,1	27,81	DXSC302	90L	4	4834	4834
50,4	275	0,9	18,63	DXSC302	100L	6	4822	4822
49,8	276	3,3	28,67	DXSC402	90L	4	18000	5934
49,5	263	1,0	57,79	DXSC303	90S	2	4929	4929
49,4	281	2,9	19,03	DXSC402	100L	6	18000	5911
48,7	267	1,7	58,72	DXSC353	90S	2	9482	3793
48,7	285	1,7	19,29	DXSC352	100L	6	9351	3740
48,3	285	3,2	29,60	DXSC402	90L	4	18000	5953
48,1	289	1,7	19,55	DXSC352	100L	6	9376	3750
47,7	289	1,0	30,00	DXSC302	90L	4	4861	4861
47,7	289	1,7	30,00	DXSC352	90L	4	9411	3764
46,7	298	2,7	20,14	DXSC402	100L	6	18000	6012
46,1	288	2,6	61,98	DXSC402	90S	2	18000	6039
45,0	306	3,3	31,78	DXSC402	90L	4	18000	6081
43,9	313	0,9	32,55	DXSC302	90L	4	4905	4905
43,4	299	1,5	65,85	DXSC353	90S	2	9686	3875
43,3	318	0,9	33,00	DXSC302	90L	4	4905	4905
42,6	316	1,9	33,57	DXSC353	90L	4	9699	3880
42,5	327	2,6	22,13	DXSC402	100L	6	18000	6183
42,4	313	1,4	67,47	DXSC352	90S	2	9692	3877
42,4	307	2,5	67,52	DXSC403	90S	2	18000	6202
42,2	327	1,6	33,93	DXSC352	90L	4	9649	3860
42,2	315	3,8	67,84	DXSC502	90S	2	22000	7676
42,0	310	1,5	68,25	DXSC353	90S	2	9755	3902
41,9	328	0,9	34,09	DXSC302	90L	4	4914	4914
41,0	336	3,0	34,91	DXSC402	90L	4	18000	6253
40,5	342	1,4	23,18	DXSC352	100L	6	9702	3881
40,2	342	3,0	35,50	DXSC402	90L	4	18000	6324
39,6	351	1,4	23,75	DXSC352	100L	6	9744	3898
39,2	344	1,0	36,50	DXSC303	90L	4	4978	4978
39,2	355	2,4	24,00	DXSC402	100L	6	18000	6333
39,2	352	0,9	36,55	DXSC302	90L	4	4937	4937
39,1	352	1,7	36,57	DXSC352	90L	4	9769	3908
38,8	335	1,3	73,63	DXSC353	90S	2	9904	3962
38,6	337	2,2	74,18	DXSC403	90S	2	18000	6378
38,6	337	3,6	74,18	DXSC503	90S	2	22000	7896
37,9	356	1,7	37,77	DXSC353	90L	4	9873	3949
37,4	372	1,4	25,14	DXSC352	100L	6	9822	3929
37,4	368	4,1	38,30	DXSC502	90L	4	22000	8020
36,3	379	1,6	39,38	DXSC352	90L	4	9894	3958
36,1	385	2,2	26,05	DXSC402	100L	6	18000	6488

5.1 DXSC GEARED MOTORS (50Hz)

1,50 kW

n2 [rpm]	M2 [Nm]	fs	i	Gear reducer	Motor Size	Pole	Fr2 D [N]	Fr2 C-L [N]
35,8	384	0,9	39,90	DXSC302	90L	4	4953	4953
35,8	377	1,6	40,05	DXSC353	90L	4	9985	3994
35,8	385	2,6	40,05	DXSC402	90L	4	18000	6525
35,2	370	3,3	81,39	DXSC503	90S	2	22000	8125
35,1	370	1,2	81,43	DXSC353	90S	2	10000	4000
35,0	371	2,0	81,71	DXSC403	90S	2	18000	6583
34,5	404	2,3	27,29	DXSC402	100L	6	18000	6597
34,0	409	1,2	27,66	DXSC352	100L	6	9976	3990
33,6	409	3,5	42,53	DXSC502	90L	4	22000	8281
33,2	414	2,5	43,05	DXSC402	90L	4	18000	6691
32,8	424	2,2	28,67	DXSC402	100L	6	18000	6672
32,7	420	1,4	43,64	DXSC352	90L	4	10000	4000
32,5	423	3,1	44,00	DXSC502	90L	4	22000	8332
31,8	408	2,9	89,77	DXSC503	90S	2	22000	8400
31,7	437	2,1	29,60	DXSC402	100L	6	18000	6754
31,4	441	3,5	29,87	DXSC502	100L	6	22000	8420
31,3	443	1,2	30,00	DXSC352	100L	6	10000	4000
31,2	416	1,8	91,49	DXSC403	90S	2	18000	6805
31,1	444	1,3	46,10	DXSC352	90L	4	10000	4000
30,3	453	3,6	47,13	DXSC502	90L	4	22000	8544
29,6	465	1,3	48,30	DXSC352	90L	4	10000	4000
29,6	470	2,2	31,78	DXSC402	100L	6	18000	6872
29,1	463	1,3	49,13	DXSC353	90L	4	10000	4000
29,0	479	3,3	32,40	DXSC502	100L	6	22000	8602
28,6	455	2,6	100,15	DXSC503	90S	2	22000	8666
28,5	484	2,0	50,25	DXSC402	90L	4	18000	6996
28,5	484	2,9	50,25	DXSC502	90L	4	22000	8711
28,4	458	1,6	100,62	DXSC403	90S	2	18000	6974
27,7	502	1,1	33,93	DXSC352	100L	6	10000	4000
26,9	516	2,0	34,91	DXSC402	100L	6	18000	7060
26,9	516	2,8	34,91	DXSC502	100L	6	22000	8798
26,7	515	1,2	53,53	DXSC352	90L	4	10000	4000
26,5	525	2,0	35,50	DXSC402	100L	6	18000	7093
26,4	522	1,9	54,27	DXSC402	90L	4	18000	7122
26,0	529	1,1	55,00	DXSC352	90L	4	10000	4000
25,9	531	2,5	55,14	DXSC502	90L	4	22000	8958
25,9	503	2,4	110,55	DXSC503	90S	2	22000	8920
25,9	521	1,2	55,29	DXSC353	90L	4	10000	4000
25,7	540	1,2	36,57	DXSC352	100L	6	10000	4000
24,5	566	2,8	38,30	DXSC502	100L	6	22000	9000
24,4	533	1,4	117,17	DXSC403	90S	2	18000	7200
24,3	553	1,1	58,72	DXSC353	90L	4	10000	4000

5.1 DXSC GEARED MOTORS (50Hz)

1,50 kW

n2 [rpm]	M2 [Nm]	fs	i	Gear reducer	Size	Motor Pole	Fr2 D [N]	Fr2 C-L [N]
24,1	571	2,8	59,40	DXSC502	90L	4	22000	9000
23,9	582	1,1	39,38	DXSC352	100L	6	10000	4000
23,6	551	2,2	121,29	DXSC503	90S	2	22000	9000
23,5	592	1,8	40,05	DXSC402	100L	6	18000	7200
23,2	560	4,0	123,33	DXSC603	90S	2	30000	11200
23,1	596	1,6	61,98	DXSC402	90L	4	18000	7200
22,2	585	1,3	128,73	DXSC403	90S	2	18000	7200
22,2	585	2,1	128,73	DXSC503	90S	2	22000	9000
22,1	628	2,3	42,53	DXSC502	100L	6	22000	9000
22,0	591	3,8	130,04	DXSC603	90S	2	30000	11200
21,8	636	1,6	43,05	DXSC402	100L	6	18000	7200
21,7	620	1,0	65,85	DXSC353	90L	4	10000	4000
21,5	645	1,0	43,64	DXSC352	100L	6	10000	4000
21,4	608	3,7	133,78	DXSC603	90S	2	30000	11200
21,3	650	2,1	44,00	DXSC502	100L	6	22000	9000
21,2	649	0,9	67,47	DXSC352	90L	4	10000	4000
21,2	636	1,6	67,52	DXSC403	90L	4	18000	7200
21,0	652	2,4	67,84	DXSC502	90L	4	22000	9000
21,0	660	3,8	44,63	DXSC602	100L	6	30000	11200
21,0	643	0,9	68,25	DXSC353	90L	4	10000	4000
20,9	620	1,2	136,34	DXSC403	90S	2	18000	7200
20,2	642	1,9	141,24	DXSC503	90S	2	22000	9000
19,9	697	2,4	47,13	DXSC502	100L	6	22000	9000
19,3	699	1,4	74,18	DXSC403	90L	4	18000	7200
19,3	699	2,3	74,18	DXSC503	90L	4	22000	9000
19,2	725	3,5	49,04	DXSC602	100L	6	30000	11200
18,9	688	3,3	151,43	DXSC603	90S	2	30000	11200
18,7	742	1,4	50,25	DXSC402	100L	6	18000	7200
18,7	742	2,0	50,25	DXSC502	100L	6	22000	9000
18,0	722	1,0	158,76	DXSC403	90S	2	18000	7200
17,5	770	1,3	81,71	DXSC403	90L	4	18000	7200
17,5	767	2,1	81,39	DXSC503	90L	4	22000	9000
17,5	794	3,4	53,75	DXSC602	100L	6	30000	11200
17,3	802	1,3	54,27	DXSC402	100L	6	18000	7200
17,0	815	1,7	55,14	DXSC502	100L	6	22000	9000
16,5	790	1,5	173,78	DXSC503	90S	2	22000	9000
16,1	807	2,8	177,53	DXSC603	90S	2	30000	11200
15,9	845	1,9	89,77	DXSC503	90L	4	22000	9000
15,8	878	1,9	59,40	DXSC502	100L	6	22000	9000
15,6	862	1,2	91,49	DXSC403	90L	4	18000	7200
15,2	857	1,4	188,51	DXSC503	90S	2	22000	9000
15,2	916	1,1	61,98	DXSC402	100L	6	18000	7200

1,50 kW

n2 [rpm]	M2 [Nm]	fs	i	Gear reducer	Motor Size	Pole	Fr2 D [N]	Fr2 C-L [N]
14,6	884	2,6	194,59	DXSC603	90S	2	30000	11200
14,5	938	3,0	64,84	DXSC603	100L	6	30000	11200
14,3	943	1,7	100,15	DXSC503	90L	4	22000	9000
14,3	976	3,2	66,00	DXSC602	100L	6	30000	11200
14,2	948	1,1	100,62	DXSC403	90L	4	18000	7200
14,1	923	1,3	203,11	DXSC503	90S	2	22000	9000
13,9	977	1,1	67,52	DXSC403	100L	6	18000	7200
13,8	1002	1,7	67,84	DXSC502	100L	6	22000	9000
13,3	980	2,3	215,60	DXSC603	90S	2	30000	11200
13,2	1028	2,8	71,07	DXSC603	100L	6	30000	11200
12,9	1041	1,5	110,55	DXSC503	90L	4	22000	9000
12,8	1013	1,2	222,85	DXSC503	90S	2	22000	9000
12,8	1022	1,2	224,76	DXSC503	90S	2	22000	9000
12,7	1060	2,8	112,52	DXSC603	90L	4	30000	11200
12,6	1073	1,0	74,18	DXSC403	100L	6	18000	7200
12,6	1073	1,5	74,18	DXSC503	100L	6	22000	9000
12,2	1103	0,9	117,17	DXSC403	90L	4	18000	7200
12,0	1135	2,8	78,46	DXSC603	100L	6	30000	11200
12,0	1086	2,1	238,93	DXSC603	90S	2	30000	11200
11,7	1143	1,4	121,29	DXSC503	90L	4	22000	9000
11,6	1161	2,6	123,33	DXSC603	90L	4	30000	11200
11,5	1178	1,4	81,39	DXSC503	100L	6	22000	9000
11,2	1161	1,9	255,54	DXSC603	90S	2	30000	11200
11,1	1212	1,3	128,73	DXSC503	90L	4	22000	9000
11,0	1225	2,4	130,04	DXSC603	90L	4	30000	11200
10,8	1263	2,5	87,27	DXSC603	100L	6	30000	11200
10,7	1260	2,4	133,78	DXSC603	90L	4	30000	11200
10,5	1299	1,3	89,77	DXSC503	100L	6	22000	9000
10,2	1273	1,8	280,10	DXSC603	90S	2	30000	11200
10,1	1330	1,2	141,24	DXSC503	90L	4	22000	9000
9,5	1369	1,7	301,16	DXSC603	90S	2	30000	11200
9,4	1449	1,1	100,15	DXSC503	100L	6	22000	9000
9,4	1426	2,1	151,43	DXSC603	90L	4	30000	11200
8,9	1533	2,0	105,91	DXSC603	100L	6	30000	11200
8,5	1600	1,0	110,55	DXSC503	100L	6	22000	9000
8,4	1628	1,9	112,52	DXSC603	100L	6	30000	11200
8,3	1563	1,4	343,93	DXSC603	90S	2	30000	11200
8,3	1637	1,0	173,78	DXSC503	90L	4	22000	9000
8,1	1672	1,8	177,53	DXSC603	90L	4	30000	11200
7,8	1755	0,9	121,29	DXSC503	100L	6	22000	9000
7,6	1775	0,9	188,51	DXSC503	90L	4	22000	9000
7,6	1785	1,7	123,33	DXSC603	100L	6	30000	11200

5.1 DXSC GEARED MOTORS (50Hz)

1,50 kW

n2 [rpm]	M2 [Nm]	fs	i	Gear reducer	Size	Motor Pole	Fr2 D [N]	Fr2 C-L [N]
7,4	1833	1,6	194,59	DXSC603	90L	4	30000	11200
7,3	1862	0,9	128,73	DXSC503	100L	6	22000	9000
7,2	1882	1,7	130,04	DXSC603	100L	6	30000	11200
7,0	1936	1,6	133,78	DXSC603	100L	6	30000	11200
6,6	2031	1,4	215,60	DXSC603	90L	4	30000	11200
6,2	2192	1,4	151,43	DXSC603	100L	6	30000	11200
5,9	2250	1,3	238,93	DXSC603	90L	4	30000	11200
5,6	2407	1,2	255,54	DXSC603	90L	4	30000	11200
5,3	2569	1,2	177,53	DXSC603	100L	6	30000	11200
5,1	2638	1,1	280,10	DXSC603	90L	4	30000	11200
4,9	2816	1,1	194,59	DXSC603	100L	6	30000	11200
4,7	2836	1,0	301,16	DXSC603	90L	4	30000	11200
4,3	3120	1,0	215,60	DXSC603	100L	6	30000	11200
4,2	3239	0,9	343,93	DXSC603	90L	4	30000	11200
3,9	3457	0,9	238,93	DXSC603	100L	6	30000	11200

2,20 kW

n2 [rpm]	M2 [Nm]	fs	i	Gear reducer	Size	Motor Pole	Fr2 D [N]	Fr2 C-L [N]
333,9	59	2,2	8,63	DXSC302	90L	2	3106	3106
270,5	72	3,8	10,65	DXSC352	90L	2	5881	2353
258,5	75	1,9	11,14	DXSC302	90L	2	3310	3310
246,0	79	3,7	11,71	DXSC352	90L	2	6050	2420
240,0	81	1,8	12,00	DXSC302	90L	2	3369	3369
220,5	88	3,5	13,06	DXSC352	90L	2	6232	2493
215,6	90	3,5	13,36	DXSC352	90L	2	6270	2508
210,9	92	1,7	13,66	DXSC302	90L	2	3471	3471
188,6	103	1,7	15,27	DXSC302	90L	2	3558	3558
180,7	108	3,1	15,94	DXSC352	90L	2	6557	2623
180,0	113	3,0	8,00	DXSC352	100LA	4	6516	2606
178,1	109	3,1	16,16	DXSC352	90L	2	6593	2637
176,8	110	1,6	16,29	DXSC302	90L	2	3607	3607
166,9	121	1,4	8,63	DXSC302	100LA	4	3631	3631
161,4	125	2,6	8,92	DXSC352	100LA	4	6747	2699
154,6	126	1,4	18,63	DXSC302	90L	2	3708	3708
150,9	134	2,7	9,55	DXSC352	100LA	4	6861	2744
149,3	130	2,6	19,29	DXSC352	90L	2	6896	2758
147,3	132	2,6	19,55	DXSC352	90L	2	6920	2768
146,0	133	1,3	19,73	DXSC302	90L	2	3749	3749
137,0	142	1,4	21,04	DXSC302	90L	2	3794	3794
135,3	149	2,4	10,65	DXSC352	100LA	4	6998	2799
133,8	146	1,3	21,53	DXSC302	90L	2	3805	3805

2,20 kW

n2 [rpm]	M2 [Nm]	fs	i	Gear reducer	Size	Motor Pole	Fr2 D [N]	Fr2 C-L [N]
130,8	156	3,7	7,34	DXSC402	112M	6	15160	4332
130,2	150	4,0	22,13	DXSC402	90L	2	15239	4354
129,3	156	1,2	11,14	DXSC302	100LA	4	3788	3788
124,3	157	2,3	23,18	DXSC352	90L	2	7200	2880
123,0	164	2,4	11,71	DXSC352	100LA	4	7158	2863
121,3	161	2,2	23,75	DXSC352	90L	2	7241	2897
120,0	168	1,2	12,00	DXSC302	100LA	4	3835	3835
120,0	170	2,0	8,00	DXSC352	112M	6	7211	2885
120,0	162	3,7	24,00	DXSC402	90L	2	15592	4455
119,7	163	1,2	24,07	DXSC302	90L	2	3880	3880
119,0	171	3,7	8,06	DXSC402	112M	6	15756	4502
114,5	170	2,1	25,14	DXSC352	90L	2	7339	2935
114,3	170	1,3	25,20	DXSC302	90L	2	3909	3909
111,7	174	1,2	25,79	DXSC302	90L	2	3923	3923
111,3	183	0,9	8,63	DXSC302	112M	6	3896	3896
110,6	176	3,4	26,05	DXSC402	90L	2	15988	4568
110,3	183	2,3	13,06	DXSC352	100LA	4	7362	2945
107,8	188	2,3	13,36	DXSC352	100LA	4	7377	2951
107,6	189	1,8	8,92	DXSC352	112M	6	7391	2956
105,5	185	3,6	27,29	DXSC402	90L	2	16251	4643
105,4	192	1,1	13,66	DXSC302	100LA	4	3923	3923
104,1	187	1,9	27,66	DXSC352	90L	2	7500	3000
103,6	188	1,2	27,81	DXSC302	90L	2	3969	3969
102,5	197	3,9	14,04	DXSC402	100LA	4	16337	4668
100,6	203	1,9	9,55	DXSC352	112M	6	7501	3000
100,4	194	3,5	28,67	DXSC402	90L	2	16463	4704
97,3	200	3,4	29,60	DXSC402	90L	2	16623	4749
96,5	211	3,2	9,94	DXSC402	112M	6	16791	4797
96,0	203	1,1	30,00	DXSC302	90L	2	4011	4011
96,0	203	1,8	30,00	DXSC352	90L	2	7636	3054
94,3	214	1,1	15,27	DXSC302	100LA	4	3977	3977
93,3	216	3,5	15,43	DXSC402	100LA	4	16844	4813
91,5	220	3,5	15,73	DXSC402	100LA	4	16941	4840
90,6	215	3,5	31,78	DXSC402	90L	2	16984	4852
90,3	223	2,0	15,94	DXSC352	100LA	4	7697	3079
90,2	226	1,7	10,65	DXSC352	112M	6	7675	3070
89,1	227	2,0	16,16	DXSC352	100LA	4	7730	3092
88,5	220	1,0	32,55	DXSC302	90L	2	4056	4056
88,4	228	1,0	16,29	DXSC302	100LA	4	4009	4009
87,3	223	1,0	33,00	DXSC302	90L	2	4062	4062
85,8	222	2,0	33,57	DXSC353	90L	2	7861	3144
84,9	229	1,8	33,93	DXSC352	90L	2	7848	3139

2,20 kW

n2 [rpm]	M2 [Nm]	fs	i	Gear reducer	Motor Size	Pole	Fr2 D [N]	Fr2 C-L [N]
83,3	243	3,1	17,29	DXSC402	100LA	4	17469	4991
82,7	246	3,0	11,61	DXSC402	112M	6	17588	5025
82,5	236	3,2	34,91	DXSC402	90L	2	17508	5002
82,0	248	1,6	11,71	DXSC352	112M	6	7823	3129
81,2	240	3,1	35,50	DXSC402	90L	2	17597	5028
78,9	242	1,1	36,50	DXSC303	90L	2	4132	4132
78,8	247	1,0	36,55	DXSC302	90L	2	4103	4103
78,7	247	1,8	36,57	DXSC352	90L	2	7968	3187
77,3	261	0,9	18,63	DXSC302	100LA	4	4062	4062
76,2	250	1,8	37,77	DXSC353	90L	2	8052	3221
75,7	267	2,9	19,03	DXSC402	100LA	4	17898	5114
75,3	271	2,9	12,75	DXSC402	112M	6	17917	5119
75,3	271	3,9	12,75	DXSC502	112M	6	22000	6338
74,6	270	1,6	19,29	DXSC352	100LA	4	8001	3200
73,6	274	1,7	19,55	DXSC352	100LA	4	8021	3208
73,5	277	1,5	13,06	DXSC352	112M	6	8031	3213
73,1	266	1,7	39,38	DXSC352	90L	2	8082	3233
71,9	265	1,7	40,05	DXSC353	90L	2	8144	3258
71,9	271	2,8	40,05	DXSC402	90L	2	18000	5212
71,8	284	1,5	13,36	DXSC352	112M	6	8064	3225
71,5	282	2,7	20,14	DXSC402	100LA	4	18000	5211
68,3	298	2,7	14,04	DXSC402	112M	6	18000	5317
67,7	287	3,7	42,53	DXSC502	90L	2	22000	6558
66,9	291	2,6	43,05	DXSC402	90L	2	18000	5314
66,0	295	1,5	43,64	DXSC352	90L	2	8226	3290
65,5	297	3,3	44,00	DXSC502	90L	2	22000	6627
65,1	310	2,6	22,13	DXSC402	100LA	4	18000	5325
62,5	312	1,4	46,10	DXSC352	90L	2	8304	3322
62,2	327	2,5	15,43	DXSC402	112M	6	18000	5465
62,2	327	4,0	15,43	DXSC502	112M	6	22000	6786
62,1	325	1,4	23,18	DXSC352	100LA	4	8240	3296
61,1	319	3,7	47,13	DXSC502	90L	2	22000	6783
61,0	334	2,4	15,73	DXSC402	112M	6	18000	5445
60,6	333	1,4	23,75	DXSC352	100LA	4	8273	3309
60,3	338	1,4	15,94	DXSC352	112M	6	8301	3320
60,0	337	2,4	24,00	DXSC402	100LA	4	18000	5487
59,6	327	1,4	48,30	DXSC352	90L	2	8379	3352
59,4	343	1,4	16,16	DXSC352	112M	6	8278	3311
58,6	325	1,4	49,13	DXSC353	90L	2	8437	3375
57,3	340	2,2	50,25	DXSC402	90L	2	18000	5560
57,3	340	3,1	50,25	DXSC502	90L	2	22000	6903
57,3	353	1,4	25,14	DXSC352	100LA	4	8355	3342

5.1 DXSC GEARED MOTORS (50Hz)

2,20 kW

n2 [rpm]	M2 [Nm]	fs	i	Gear reducer	Motor Size	Pole	Fr2 D [N]	Fr2 C-L [N]
55,7	365	3,7	17,21	DXSC502	112M	6	22000	7016
55,5	367	2,2	17,29	DXSC402	112M	6	18000	5649
55,3	365	2,2	26,05	DXSC402	100LA	4	18000	5607
53,8	362	1,2	53,53	DXSC352	90L	2	8506	3402
53,1	367	2,0	54,27	DXSC402	90L	2	18000	5686
52,7	383	2,3	27,29	DXSC402	100LA	4	18000	5706
52,4	372	1,2	55,00	DXSC352	90L	2	8540	3416
52,2	373	2,6	55,14	DXSC502	90L	2	22000	7101
52,1	366	1,2	55,29	DXSC353	90L	2	8596	3438
52,0	388	1,2	27,66	DXSC352	100LA	4	8477	3391
50,5	404	2,0	19,03	DXSC402	112M	6	18000	5753
50,5	403	3,6	19,00	DXSC502	112M	6	22000	7159
50,2	402	2,2	28,67	DXSC402	100LA	4	18000	5764
49,8	409	1,2	19,29	DXSC352	112M	6	8486	3394
49,1	415	1,2	19,55	DXSC352	112M	6	8500	3400
49,0	389	1,2	58,72	DXSC353	90L	2	8671	3468
48,6	415	2,2	29,60	DXSC402	100LA	4	18000	5817
48,4	401	3,0	59,40	DXSC502	90L	2	22000	7278
48,2	419	3,6	29,87	DXSC502	100LA	4	22000	7234
48,0	420	1,2	30,00	DXSC352	100LA	4	8564	3426
47,7	427	1,9	20,14	DXSC402	112M	6	18000	5900
46,4	419	1,8	61,98	DXSC402	90L	2	18000	5919
46,1	442	3,3	20,83	DXSC502	112M	6	22000	7360
45,3	445	2,3	31,78	DXSC402	100LA	4	18000	5912
44,5	454	3,4	32,40	DXSC502	100LA	4	22000	7414
43,7	436	1,0	65,85	DXSC353	90L	2	8801	3520
43,4	470	1,8	22,13	DXSC402	112M	6	18000	6058
43,4	470	3,1	22,13	DXSC502	112M	6	22000	7566
42,7	447	1,7	67,52	DXSC403	90L	2	18000	6062
42,5	459	2,6	67,84	DXSC502	90L	2	22000	7575
42,4	476	1,2	33,93	DXSC352	100LA	4	8654	3462
41,4	492	1,0	23,18	DXSC352	112M	6	8679	3471
41,3	489	2,0	34,91	DXSC402	100LA	4	18000	6118
41,3	489	2,8	34,91	DXSC502	100LA	4	22000	7644
40,6	498	2,0	35,50	DXSC402	100LA	4	18000	6135
40,4	504	1,0	23,75	DXSC352	112M	6	8673	3469
40,1	510	1,7	24,00	DXSC402	112M	6	18000	6196
39,5	515	3,1	24,28	DXSC502	112M	6	22000	7777
39,4	512	1,2	36,57	DXSC352	100LA	4	8729	3492
38,8	491	1,5	74,18	DXSC403	90L	2	18000	6225
38,8	491	2,4	74,18	DXSC503	90L	2	22000	7772
38,2	534	0,9	25,14	DXSC352	112M	6	8711	3484

5.1 DXSC GEARED MOTORS (50Hz)

2,20 kW

n2 [rpm]	M2 [Nm]	fs	i	Gear reducer	Motor Size	Pole	Fr2 D [N]	Fr2 C-L [N]
37,6	536	2,8	38,30	DXSC502	100LA	4	22000	7857
36,9	553	1,5	26,05	DXSC402	112M	6	18000	6337
36,6	552	1,1	39,38	DXSC352	100LA	4	8770	3508
36,5	559	2,8	26,33	DXSC502	112M	6	22000	7892
36,0	561	1,8	40,05	DXSC402	100LA	4	18000	6355
35,4	539	2,2	81,39	DXSC503	90L	2	22000	7989
35,2	579	1,7	27,29	DXSC402	112M	6	18000	6418
35,2	541	1,4	81,71	DXSC403	90L	2	18000	6395
33,9	596	2,4	42,53	DXSC502	100LA	4	22000	8070
33,5	604	1,6	43,05	DXSC402	100LA	4	18000	6481
33,4	608	1,5	28,67	DXSC402	112M	6	18000	6505
33,0	611	1,0	43,64	DXSC352	100LA	4	8819	3528
32,7	617	2,1	44,00	DXSC502	100LA	4	22000	8167
32,4	628	1,5	29,60	DXSC402	112M	6	18000	6505
32,3	626	3,8	44,63	DXSC602	100LA	4	30000	11200
32,1	634	2,5	29,87	DXSC502	112M	6	22000	8189
32,1	594	2,0	89,77	DXSC503	90L	2	22000	8224
31,5	606	1,2	91,49	DXSC403	90L	2	18000	6609
30,5	660	2,4	47,13	DXSC502	100LA	4	22000	8332
30,2	674	1,5	31,78	DXSC402	112M	6	18000	6686
29,6	688	2,3	32,40	DXSC502	112M	6	22000	8385
29,4	687	3,4	49,04	DXSC602	100LA	4	30000	11200
28,8	663	1,8	100,15	DXSC503	90L	2	22000	8491
28,7	704	1,4	50,25	DXSC402	100LA	4	18000	6755
28,7	704	2,0	50,25	DXSC502	100LA	4	22000	8506
28,6	666	1,1	100,62	DXSC403	90L	2	18000	6781
27,5	741	1,4	34,91	DXSC402	112M	6	18000	6853
27,5	741	2,0	34,91	DXSC502	112M	6	22000	8645
27,0	754	1,4	35,50	DXSC402	112M	6	18000	6883
26,8	753	3,5	53,75	DXSC602	100LA	4	30000	11200
26,5	760	1,3	54,27	DXSC402	100LA	4	18000	6842
26,1	732	1,6	110,55	DXSC503	90L	2	22000	8738
26,1	773	1,7	55,14	DXSC502	100LA	4	22000	8718
25,6	745	3,0	112,52	DXSC603	90L	2	30000	11200
25,1	813	1,9	38,30	DXSC502	112M	6	22000	8797
24,3	832	1,9	59,40	DXSC502	100LA	4	22000	8852
24,0	850	1,2	40,05	DXSC402	112M	6	18000	7041
23,7	803	1,5	121,29	DXSC503	90L	2	22000	8974
23,4	816	2,7	123,33	DXSC603	90L	2	30000	11200
23,3	872	3,6	41,07	DXSC602	112M	6	30000	11200
23,2	868	1,2	61,98	DXSC402	100LA	4	18000	7105
22,6	902	1,6	42,53	DXSC502	112M	6	22000	9000

2,20 kW

n2 [rpm]	M2 [Nm]	fs	i	Gear reducer	Motor Size	Pole	Fr2 D [N]	Fr2 C-L [N]
22,4	852	1,4	128,73	DXSC503	90L	2	22000	9000
22,3	914	1,1	43,05	DXSC402	112M	6	18000	7171
22,2	889	3,0	64,84	DXSC603	100LA	4	30000	11200
22,1	861	2,6	130,04	DXSC603	90L	2	30000	11200
22,0	925	3,4	43,60	DXSC602	112M	6	30000	11200
21,8	934	1,5	44,00	DXSC502	112M	6	22000	9000
21,8	925	3,3	66,00	DXSC602	100LA	4	30000	11200
21,5	885	2,5	133,78	DXSC603	90L	2	30000	11200
21,5	947	2,7	44,63	DXSC602	112M	6	30000	11200
21,3	927	1,1	67,52	DXSC403	100LA	4	18000	7200
21,2	951	1,7	67,84	DXSC502	100LA	4	22000	9000
20,4	1000	1,7	47,13	DXSC502	112M	6	22000	9000
20,4	935	1,3	141,24	DXSC503	90L	2	22000	9000
20,2	975	2,8	71,07	DXSC603	100LA	4	30000	11200
19,6	1041	2,4	49,04	DXSC602	112M	6	30000	11200
19,4	1018	1,0	74,18	DXSC403	100LA	4	18000	7200
19,4	1018	1,6	74,18	DXSC503	100LA	4	22000	9000
19,1	1067	1,0	50,25	DXSC402	112M	6	18000	7200
19,1	1067	1,3	50,25	DXSC502	112M	6	22000	9000
19,0	1002	2,2	151,43	DXSC603	90L	2	30000	11200
18,3	1077	2,8	78,46	DXSC603	100LA	4	30000	11200
17,9	1141	2,4	53,75	DXSC602	112M	6	30000	11200
17,7	1152	0,9	54,27	DXSC402	112M	6	18000	7200
17,7	1120	0,9	81,71	DXSC403	100LA	4	18000	7200
17,7	1116	1,5	81,39	DXSC503	100LA	4	22000	9000
17,4	1170	1,1	55,14	DXSC502	112M	6	22000	9000
16,6	1150	1,0	173,78	DXSC503	90L	2	22000	9000
16,5	1197	2,5	87,27	DXSC603	100LA	4	30000	11200
16,2	1260	1,3	59,40	DXSC502	112M	6	22000	9000
16,2	1175	1,9	177,53	DXSC603	90L	2	30000	11200
16,0	1231	1,3	89,77	DXSC503	100LA	4	22000	9000
14,8	1288	1,7	194,59	DXSC603	90L	2	30000	11200
14,8	1348	2,1	64,84	DXSC603	112M	6	30000	11200
14,5	1401	2,2	66,00	DXSC602	112M	6	30000	11200
14,4	1374	1,2	100,15	DXSC503	100LA	4	22000	9000
14,2	1440	1,2	67,84	DXSC502	112M	6	22000	9000
13,6	1453	2,1	105,91	DXSC603	100LA	4	30000	11200
13,5	1477	1,9	71,07	DXSC603	112M	6	30000	11200
13,4	1427	1,6	215,60	DXSC603	90L	2	30000	11200
13,0	1516	1,0	110,55	DXSC503	100LA	4	22000	9000
12,9	1541	1,1	74,18	DXSC503	112M	6	22000	9000
12,8	1543	1,9	112,52	DXSC603	100LA	4	30000	11200

5.1 DXSC GEARED MOTORS (50Hz)

2,20 kW

n2 [rpm]	M2 [Nm]	fs	i	Gear reducer	Motor Size	Pole	Fr2 D [N]	Fr2 C-L [N]
12,3	1630	2,0	78,46	DXSC603	112M	6	30000	11200
12,1	1581	1,4	238,93	DXSC603	90L	2	30000	11200
11,9	1664	1,0	121,29	DXSC503	100LA	4	22000	9000
11,8	1691	1,0	81,39	DXSC503	112M	6	22000	9000
11,7	1691	1,7	123,33	DXSC603	100LA	4	30000	11200
11,3	1691	1,3	255,54	DXSC603	90L	2	30000	11200
11,1	1765	0,9	128,73	DXSC503	100LA	4	22000	9000
11,1	1784	1,7	130,04	DXSC603	100LA	4	30000	11200
11,0	1814	1,8	87,27	DXSC603	112M	6	30000	11200
10,8	1835	1,6	133,78	DXSC603	100LA	4	30000	11200
10,7	1865	0,9	89,77	DXSC503	112M	6	22000	9000
10,3	1854	1,2	280,10	DXSC603	90L	2	30000	11200
9,6	1993	1,1	301,16	DXSC603	90L	2	30000	11200
9,5	2077	1,4	151,43	DXSC603	100LA	4	30000	11200
9,1	2201	1,4	105,91	DXSC603	112M	6	30000	11200
8,5	2338	1,3	112,52	DXSC603	112M	6	30000	11200
8,1	2435	1,2	177,53	DXSC603	100LA	4	30000	11200
7,7	2562	1,2	123,33	DXSC603	112M	6	30000	11200
7,4	2702	1,2	130,04	DXSC603	112M	6	30000	11200
7,4	2669	1,1	194,59	DXSC603	100LA	4	30000	11200
7,2	2780	1,1	133,78	DXSC603	112M	6	30000	11200
6,7	2957	1,0	215,60	DXSC603	100LA	4	30000	11200
6,3	3147	1,0	151,43	DXSC603	112M	6	30000	11200
6,0	3277	0,9	238,93	DXSC603	100LA	4	30000	11200

3,00 kW

n2 [rpm]	M2 [Nm]	fs	i	Gear reducer	Motor Size	Pole	Fr2 D [N]	Fr2 C-L [N]
362,6	73	3,3	8,00	DXSC352	100L	2	5305	2122
336,3	79	1,6	8,63	DXSC302	100L	2	2979	2979
325,1	82	3,0	8,92	DXSC352	100L	2	5462	2185
303,8	87	3,1	9,55	DXSC352	100L	2	5561	2224
272,4	97	2,8	10,65	DXSC352	100L	2	5705	2282
260,3	102	1,4	11,14	DXSC302	100L	2	3141	3141
247,7	107	2,7	11,71	DXSC352	100L	2	5846	2338
241,7	110	1,4	12,00	DXSC302	100L	2	3188	3188
222,1	120	2,6	13,06	DXSC352	100L	2	6006	2403
217,1	123	2,6	13,36	DXSC352	100L	2	6055	2422
212,4	125	1,3	13,66	DXSC302	100L	2	3267	3267
197,6	139	4,0	7,34	DXSC402	112MS	4	13221	3777
189,9	140	1,3	15,27	DXSC302	100L	2	3331	3331
184,4	144	4,0	15,73	DXSC402	100L	2	13563	3875

3,00 kW

n2 [rpm]	M2 [Nm]	fs	i	Gear reducer	Motor Size	Pole	Fr2 D [N]	Fr2 C-L [N]
182,0	146	2,3	15,94	DXSC352	100L	2	6299	2520
181,3	152	2,2	8,00	DXSC352	112MS	4	6271	2508
179,8	153	3,9	8,06	DXSC402	112MS	4	13607	3888
179,4	148	2,3	16,16	DXSC352	100L	2	6320	2528
178,0	149	1,2	16,29	DXSC302	100L	2	3371	3371
168,1	164	1,0	8,63	DXSC302	112MS	4	3362	3362
167,6	158	3,6	17,29	DXSC402	100L	2	13963	3989
162,5	169	2,0	8,92	DXSC352	112MS	4	6425	2570
155,6	171	1,1	18,63	DXSC302	100L	2	3433	3433
152,4	174	3,3	19,03	DXSC402	100L	2	14374	4107
151,9	181	2,0	9,55	DXSC352	112MS	4	6519	2608
150,4	177	1,9	19,29	DXSC352	100L	2	6574	2630
148,3	179	1,9	19,55	DXSC352	100L	2	6608	2643
145,8	189	3,4	9,94	DXSC402	112MS	4	14500	4143
144,0	184	3,1	20,14	DXSC402	100L	2	14623	4178
137,9	193	1,0	21,04	DXSC302	100L	2	3486	3486
136,2	202	1,8	10,65	DXSC352	112MS	4	6668	2667
132,2	210	2,7	7,34	DXSC402	132S	6	14928	4265
131,1	203	2,9	22,13	DXSC402	100L	2	15043	4298
125,1	212	1,7	23,18	DXSC352	100L	2	6829	2732
124,9	220	3,2	11,61	DXSC402	112MS	4	15188	4339
123,8	222	1,8	11,71	DXSC352	112MS	4	6794	2718
122,1	218	1,6	23,75	DXSC352	100L	2	6876	2750
120,8	220	2,7	24,00	DXSC402	100L	2	15366	4390
120,3	231	2,7	8,06	DXSC402	132S	6	15352	4386
120,3	231	3,9	8,06	DXSC502	132S	6	19006	5430
115,3	231	1,5	25,14	DXSC352	100L	2	6951	2781
113,7	242	3,1	12,75	DXSC402	112MS	4	15618	4462
111,4	239	2,5	26,05	DXSC402	100L	2	15794	4512
111,0	248	1,7	13,06	DXSC352	112MS	4	6932	2773
109,6	253	3,7	8,85	DXSC502	132S	6	19620	5606
108,6	253	1,7	13,36	DXSC352	112MS	4	6960	2784
106,3	250	2,7	27,29	DXSC402	100L	2	15963	4561
104,9	253	1,4	27,66	DXSC352	100L	2	7073	2829
103,2	266	2,9	14,04	DXSC402	112MS	4	16070	4591
101,1	262	2,5	28,67	DXSC402	100L	2	16248	4642
98,0	271	2,5	29,60	DXSC402	100L	2	16400	4686
97,5	285	2,4	9,94	DXSC402	132S	6	16379	4680
96,7	275	1,4	30,00	DXSC352	100L	2	7160	2864
94,0	293	2,6	15,43	DXSC402	112MS	4	16517	4719
92,2	298	2,6	15,73	DXSC402	112MS	4	16609	4745
91,3	291	2,6	31,78	DXSC402	100L	2	16693	4770

3,00 kW

n2 [rpm]	M2 [Nm]	fs	i	Gear reducer	Motor Size	Pole	Fr2 D [N]	Fr2 C-L [N]
91,0	302	1,5	15,94	DXSC352	112MS	4	7164	2866
89,7	307	1,5	16,16	DXSC352	112MS	4	7179	2872
89,5	297	3,8	32,40	DXSC502	100L	2	20846	5956
89,1	312	3,2	10,88	DXSC502	132S	6	20837	5954
85,5	311	1,3	33,93	DXSC352	100L	2	7312	2925
84,2	326	4,0	17,21	DXSC502	112MS	4	21205	6059
83,8	328	2,3	17,29	DXSC402	112MS	4	17072	4878
83,6	333	2,2	11,61	DXSC402	132S	6	17128	4894
83,1	320	2,3	34,91	DXSC402	100L	2	17207	4916
83,1	320	3,3	34,91	DXSC502	100L	2	21392	6112
81,7	325	2,3	35,50	DXSC402	100L	2	17239	4925
79,3	335	1,3	36,57	DXSC352	100L	2	7380	2952
76,3	360	3,9	19,00	DXSC502	112MS	4	21848	6242
76,2	361	2,1	19,03	DXSC402	112MS	4	17545	5013
76,1	365	2,1	12,75	DXSC402	132S	6	17593	5027
76,1	365	2,8	12,75	DXSC502	132S	6	21927	6265
75,7	351	3,2	38,30	DXSC502	100L	2	21933	6267
75,2	366	1,2	19,29	DXSC352	112MS	4	7351	2940
74,2	371	1,2	19,55	DXSC352	112MS	4	7363	2945
73,7	360	1,2	39,38	DXSC352	100L	2	7461	2985
72,4	367	2,0	40,05	DXSC402	100L	2	17845	5099
72,0	382	2,0	20,14	DXSC402	112MS	4	17830	5094
69,6	395	3,5	20,83	DXSC502	112MS	4	22000	6417
69,3	401	3,1	13,99	DXSC502	132S	6	22000	6422
69,1	402	2,0	14,04	DXSC402	132S	6	18000	5151
68,2	389	2,7	42,53	DXSC502	100L	2	22000	6467
67,4	394	1,9	43,05	DXSC402	100L	2	18000	5204
66,5	400	1,1	43,64	DXSC352	100L	2	7549	3019
65,9	403	2,4	44,00	DXSC502	100L	2	22000	6534
65,5	420	1,9	22,13	DXSC402	112MS	4	18000	5231
65,5	420	3,3	22,13	DXSC502	112MS	4	22000	6534
62,9	442	1,8	15,43	DXSC402	132S	6	18000	5288
62,9	442	3,0	15,43	DXSC502	132S	6	22000	6612
62,6	440	1,1	23,18	DXSC352	112MS	4	7488	2995
61,6	450	1,8	15,73	DXSC402	132S	6	18000	5331
61,5	432	2,8	47,13	DXSC502	100L	2	22000	6690
61,1	450	1,0	23,75	DXSC352	112MS	4	7502	3001
60,4	455	1,8	24,00	DXSC402	112MS	4	18000	5351
60,0	442	1,0	48,30	DXSC352	100L	2	7620	3048
59,7	460	3,3	24,28	DXSC502	112MS	4	22000	6716
59,1	449	4,0	49,04	DXSC602	100L	2	30000	9674
57,7	477	1,0	25,14	DXSC352	112MS	4	7531	3013

5.1 DXSC GEARED MOTORS (50Hz)

3,00 kW

n2 [rpm]	M2 [Nm]	fs	i	Gear reducer	Motor Size	Pole	Fr2 D [N]	Fr2 C-L [N]
57,7	460	1,6	50,25	DXSC402	100L	2	18000	5450
57,7	460	2,3	50,25	DXSC502	100L	2	22000	6818
56,4	493	2,8	17,21	DXSC502	132S	6	22000	6829
56,1	495	1,6	17,29	DXSC402	132S	6	18000	5456
55,7	494	1,6	26,05	DXSC402	112MS	4	18000	5472
55,1	499	3,0	26,33	DXSC502	112MS	4	22000	6879
54,0	492	4,0	53,75	DXSC602	100L	2	30000	9909
53,4	497	1,5	54,27	DXSC402	100L	2	18000	5550
53,1	518	1,7	27,29	DXSC402	112MS	4	18000	5542
52,6	505	1,9	55,14	DXSC502	100L	2	22000	6986
52,4	525	0,9	27,66	DXSC352	112MS	4	7566	3027
51,0	545	1,5	19,03	DXSC402	132S	6	18000	5615
51,0	544	2,7	19,00	DXSC502	132S	6	22000	7051
50,6	544	1,7	28,67	DXSC402	112MS	4	18000	5617
49,0	561	1,6	29,60	DXSC402	112MS	4	18000	5665
48,8	544	2,2	59,40	DXSC502	100L	2	22000	7140
48,5	567	2,6	29,87	DXSC502	112MS	4	22000	7137
48,2	577	1,4	20,14	DXSC402	132S	6	18000	5685
46,8	567	1,3	61,98	DXSC402	100L	2	18000	5770
46,6	597	2,4	20,83	DXSC502	132S	6	22000	7241
45,6	603	1,7	31,78	DXSC402	112MS	4	18000	5773
44,8	615	2,4	32,40	DXSC502	112MS	4	22000	7307
44,7	581	3,5	64,84	DXSC603	100L	2	30000	10480
43,9	604	3,7	66,00	DXSC602	100L	2	30000	10520
43,8	634	1,3	22,13	DXSC402	132S	6	18000	5828
43,8	634	2,3	22,13	DXSC502	132S	6	22000	7346
42,9	605	1,2	67,52	DXSC403	100L	2	18000	5899
42,7	621	1,9	67,84	DXSC502	100L	2	22000	7421
41,5	662	1,5	34,91	DXSC402	112MS	4	18000	5917
41,5	662	2,1	34,91	DXSC502	112MS	4	22000	7466
40,8	637	3,1	71,07	DXSC603	100L	2	30000	10793
40,8	673	1,5	35,50	DXSC402	112MS	4	18000	5943
40,4	687	1,2	24,00	DXSC402	132S	6	18000	5952
40,0	695	2,3	24,28	DXSC502	132S	6	22000	7543
39,1	665	1,1	74,18	DXSC403	100L	2	18000	6063
39,1	665	1,8	74,18	DXSC503	100L	2	22000	7647
37,9	727	2,1	38,30	DXSC502	112MS	4	22000	7665
37,3	746	1,1	26,05	DXSC402	132S	6	18000	6094
37,0	703	3,2	78,46	DXSC603	100L	2	30000	11069
36,9	754	2,1	26,33	DXSC502	132S	6	22000	7742
36,2	760	1,3	40,05	DXSC402	112MS	4	18000	6129
35,7	729	1,6	81,39	DXSC503	100L	2	22000	7852

3,00 kW

n2 [rpm]	M2 [Nm]	fs	i	Gear reducer	Motor Size	Pole	Fr2 D [N]	Fr2 C-L [N]
35,6	782	1,2	27,29	DXSC402	132S	6	18000	6165
35,5	732	1,0	81,71	DXSC403	100L	2	18000	6216
35,3	779	3,9	41,07	DXSC602	112MS	4	30000	11167
34,1	807	1,7	42,53	DXSC502	112MS	4	22000	7894
34,0	819	3,8	28,60	DXSC602	132S	6	30000	11200
33,8	821	1,1	28,67	DXSC402	132S	6	18000	6242
33,7	817	1,2	43,05	DXSC402	112MS	4	18000	6240
33,3	827	3,6	43,60	DXSC602	112MS	4	30000	11200
33,2	782	2,9	87,27	DXSC603	100L	2	30000	11200
33,0	835	1,6	44,00	DXSC502	112MS	4	22000	7969
32,7	848	1,1	29,60	DXSC402	132S	6	18000	6291
32,5	847	2,8	44,63	DXSC602	112MS	4	30000	11200
32,4	855	1,8	29,87	DXSC502	132S	6	22000	8018
32,3	805	1,5	89,77	DXSC503	100L	2	22000	8072
31,8	874	3,6	30,51	DXSC602	132S	6	30000	11200
30,8	894	1,8	47,13	DXSC502	112MS	4	22000	8122
30,5	910	1,2	31,78	DXSC402	132S	6	18000	6384
29,9	928	1,7	32,40	DXSC502	132S	6	22000	8200
29,6	938	3,3	32,76	DXSC602	132S	6	30000	11200
29,6	930	2,6	49,04	DXSC602	112MS	4	30000	11200
29,0	898	1,3	100,15	DXSC503	100L	2	22000	8321
29,0	958	3,3	33,44	DXSC602	132S	6	30000	11200
28,9	953	1,0	50,25	DXSC402	112MS	4	18000	6479
28,9	953	1,5	50,25	DXSC502	112MS	4	22000	8266
27,8	1000	1,1	34,91	DXSC402	132S	6	18000	6527
27,8	1000	1,5	34,91	DXSC502	132S	6	22000	8344
27,6	1009	3,1	35,20	DXSC602	132S	6	30000	11200
27,4	949	2,3	105,91	DXSC603	100L	2	30000	11200
27,0	1020	2,6	53,75	DXSC602	112MS	4	30000	11200
26,7	1029	1,0	54,27	DXSC402	112MS	4	18000	6597
26,3	1046	1,2	55,14	DXSC502	112MS	4	22000	8476
26,2	991	1,2	110,55	DXSC503	100L	2	22000	8525
25,8	1008	2,2	112,52	DXSC603	100L	2	30000	11200
25,3	1097	1,4	38,30	DXSC502	132S	6	22000	8554
24,4	1127	1,4	59,40	DXSC502	112MS	4	22000	8647
23,9	1087	1,1	121,29	DXSC503	100L	2	22000	8741
23,6	1176	2,7	41,07	DXSC602	132S	6	30000	11200
23,5	1105	2,0	123,33	DXSC603	100L	2	30000	11200
22,8	1218	1,2	42,53	DXSC502	132S	6	22000	8817
22,5	1154	1,0	128,73	DXSC503	100L	2	22000	8881
22,4	1204	2,2	64,84	DXSC603	112MS	4	30000	11200
22,3	1166	1,9	130,04	DXSC603	100L	2	30000	11200

5.1 DXSC GEARED MOTORS (50Hz)

3,00 kW

n2 [rpm]	M2 [Nm]	fs	i	Gear reducer	Motor Size	Pole	Fr2 D [N]	Fr2 C-L [N]
22,2	1249	2,5	43,60	DXSC602	132S	6	30000	11200
22,0	1252	2,4	66,00	DXSC602	112MS	4	30000	11200
21,7	1278	2,0	44,63	DXSC602	132S	6	30000	11200
21,7	1199	1,9	133,78	DXSC603	100L	2	30000	11200
21,4	1287	1,2	67,84	DXSC502	112MS	4	22000	8953
20,6	1350	1,2	47,13	DXSC502	132S	6	22000	9000
20,4	1320	2,0	71,07	DXSC603	112MS	4	30000	11200
19,8	1404	1,8	49,04	DXSC602	132S	6	30000	11200
19,5	1378	1,2	74,18	DXSC503	112MS	4	22000	9000
19,2	1357	1,7	151,43	DXSC603	100L	2	30000	11200
18,5	1457	2,1	78,46	DXSC603	112MS	4	30000	11200
18,0	1539	1,8	53,75	DXSC602	132S	6	30000	11200
17,8	1512	1,1	81,39	DXSC503	112MS	4	22000	9000
16,6	1621	1,9	87,27	DXSC603	112MS	4	30000	11200
16,4	1591	1,4	177,53	DXSC603	100L	2	30000	11200
16,2	1667	1,0	89,77	DXSC503	112MS	4	22000	9000
15,0	1818	1,5	64,84	DXSC603	132S	6	30000	11200
14,9	1744	1,3	194,59	DXSC603	100L	2	30000	11200
14,7	1890	1,6	66,00	DXSC602	132S	6	30000	11200
13,7	1967	1,5	105,91	DXSC603	112MS	4	30000	11200
13,6	1993	1,4	71,07	DXSC603	132S	6	30000	11200
13,5	1932	1,2	215,60	DXSC603	100L	2	30000	11200
12,9	2090	1,4	112,52	DXSC603	112MS	4	30000	11200
12,3	2200	1,4	78,46	DXSC603	132S	6	30000	11200
12,1	2142	1,0	238,93	DXSC603	100L	2	30000	11200
11,8	2291	1,3	123,33	DXSC603	112MS	4	30000	11200
11,2	2415	1,2	130,04	DXSC603	112MS	4	30000	11200
11,1	2448	1,3	87,27	DXSC603	132S	6	30000	11200
10,8	2485	1,2	133,78	DXSC603	112MS	4	30000	11200
9,6	2813	1,1	151,43	DXSC603	112MS	4	30000	11200
9,2	2970	1,0	105,91	DXSC603	132S	6	30000	11200
8,6	3155	1,0	112,52	DXSC603	132S	6	30000	11200
8,2	3297	0,9	177,53	DXSC603	112MS	4	30000	11200
7,9	3458	0,9	123,33	DXSC603	132S	6	30000	11200

4,00 kW

n2 [rpm]	M2 [Nm]	fs	i	Gear reducer	Motor Size	Pole	Fr2 D [N]	Fr2 C-L [N]
366,3	97	2,6	8,00	DXSC352	112M	2	5122	2049
339,7	104	1,2	8,63	DXSC302	112M	2	2814	2814
328,4	108	2,3	8,92	DXSC352	112M	2	5262	2105
307,0	115	2,3	9,55	DXSC352	112M	2	5348	2139

4,00 kW

n2 [rpm]	M2 [Nm]	fs	i	Gear reducer	Size	Motor Pole	Fr2 D [N]	Fr2 C-L [N]
275,2	129	2,1	10,65	DXSC352	112M	2	5486	2195
263,0	135	1,1	11,14	DXSC302	112M	2	2939	2939
252,5	141	3,7	11,61	DXSC402	112M	2	12193	3484
250,3	142	2,0	11,71	DXSC352	112M	2	5619	2248
244,2	145	1,0	12,00	DXSC302	112M	2	2971	2971
229,9	154	3,6	12,75	DXSC402	112M	2	12546	3585
224,4	158	2,0	13,06	DXSC352	112M	2	5741	2297
219,3	161	1,9	13,36	DXSC352	112M	2	5781	2313
208,6	170	3,4	14,04	DXSC402	112M	2	12877	3679
197,6	186	3,0	7,34	DXSC402	112M	4	13068	3734
189,9	186	3,1	15,43	DXSC402	112M	2	13286	3796
186,3	190	3,0	15,73	DXSC402	112M	2	13362	3818
183,9	192	1,7	15,94	DXSC352	112M	2	5991	2396
181,3	195	1,7	16,16	DXSC352	112M	2	5995	2398
181,2	203	1,6	8,00	DXSC352	112M	4	5958	2383
179,8	204	2,9	8,06	DXSC402	112M	4	13439	3840
169,4	209	2,8	17,29	DXSC402	112M	2	13704	3915
163,9	223	4,0	8,85	DXSC502	112M	4	17159	4903
162,5	226	1,5	8,92	DXSC352	112M	4	6068	2427
154,0	230	2,5	19,03	DXSC402	112M	2	14096	4027
151,9	241	1,5	9,55	DXSC352	112M	4	6144	2458
151,9	233	1,4	19,29	DXSC352	112M	2	6190	2476
149,8	237	1,4	19,55	DXSC352	112M	2	6215	2486
145,8	251	2,6	9,94	DXSC402	112M	4	14323	4092
145,5	243	2,3	20,14	DXSC402	112M	2	14376	4107
136,2	269	1,3	10,65	DXSC352	112M	4	6248	2499
133,2	275	3,4	10,88	DXSC502	112M	4	18281	5223
132,5	267	2,2	22,13	DXSC402	112M	2	14775	4221
132,5	267	3,9	22,13	DXSC502	112M	2	18358	5245
132,2	280	2,0	7,34	DXSC402	132MA	6	14742	4212
126,4	280	1,2	23,18	DXSC352	112M	2	6381	2552
124,9	294	2,4	11,61	DXSC402	112M	4	14947	4271
123,8	296	1,3	11,71	DXSC352	112M	4	6325	2530
123,4	287	1,2	23,75	DXSC352	112M	2	6403	2561
122,1	290	2,1	24,00	DXSC402	112M	2	15081	4309
120,7	293	3,8	24,28	DXSC502	112M	2	18824	5378
120,3	308	2,0	8,06	DXSC402	132MA	6	15099	4314
120,3	308	2,9	8,06	DXSC502	132MA	6	18806	5373
116,5	304	1,2	25,14	DXSC352	112M	2	6443	2577
113,7	323	2,3	12,75	DXSC402	112M	4	15384	4395
113,7	323	3,1	12,75	DXSC502	112M	4	19176	5479
112,5	315	1,9	26,05	DXSC402	112M	2	15439	4411

4,00 kW

n2 [rpm]	M2 [Nm]	fs	i	Gear reducer	Motor Size	Pole	Fr2 D [N]	Fr2 C-L [N]
111,3	318	3,5	26,33	DXSC502	112M	2	19292	5512
111,1	331	1,3	13,06	DXSC352	112M	4	6414	2566
109,6	338	2,8	8,85	DXSC502	132MA	6	19338	5525
108,6	338	1,2	13,36	DXSC352	112M	4	6425	2570
107,4	330	2,0	27,29	DXSC402	112M	2	15644	4470
105,9	334	1,1	27,66	DXSC352	112M	2	6518	2607
103,6	354	3,4	13,99	DXSC502	112M	4	19676	5622
103,2	356	2,1	14,04	DXSC402	112M	4	15808	4517
102,1	346	1,9	28,67	DXSC402	112M	2	15911	4546
99,0	358	1,9	29,60	DXSC402	112M	2	16008	4574
98,1	361	3,1	29,87	DXSC502	112M	2	20035	5724
97,7	362	1,0	30,00	DXSC352	112M	2	6580	2632
97,5	380	1,8	9,94	DXSC402	132MA	6	16064	4590
93,9	390	2,0	15,43	DXSC402	112M	4	16228	4637
93,9	390	3,2	15,43	DXSC502	112M	4	20299	5800
92,2	384	1,9	31,78	DXSC402	112M	2	16375	4679
92,2	398	1,9	15,73	DXSC402	112M	4	16282	4652
91,0	403	1,1	15,94	DXSC352	112M	4	6528	2611
90,4	391	2,9	32,40	DXSC502	112M	2	20527	5865
89,7	409	1,1	16,16	DXSC352	112M	4	6534	2614
89,1	416	2,4	10,88	DXSC502	132MA	6	20568	5876
84,2	435	3,0	17,21	DXSC502	112M	4	20922	5978
83,9	422	1,8	34,91	DXSC402	112M	2	16758	4788
83,9	422	2,5	34,91	DXSC502	112M	2	20985	5996
83,8	437	1,8	17,29	DXSC402	112M	4	16713	4775
83,6	443	1,6	11,61	DXSC402	132MA	6	16760	4789
82,5	429	1,7	35,50	DXSC402	112M	2	16836	4810
80,1	442	1,0	36,57	DXSC352	112M	2	6670	2668
76,5	463	2,4	38,30	DXSC502	112M	2	21565	6161
76,3	481	2,9	19,00	DXSC502	112M	4	21536	6153
76,2	482	1,6	19,03	DXSC402	112M	4	17182	4909
76,1	487	1,6	12,75	DXSC402	132MA	6	17142	4898
76,1	487	2,2	12,75	DXSC502	132MA	6	21543	6155
75,2	488	0,9	19,29	DXSC352	112M	4	6578	2631
74,2	495	0,9	19,55	DXSC352	112M	4	6580	2632
73,2	484	1,6	40,05	DXSC402	112M	2	17396	4970
72,0	509	1,5	20,14	DXSC402	112M	4	17444	4984
69,6	527	2,7	20,83	DXSC502	112M	4	22000	6319
69,3	534	2,3	13,99	DXSC502	132MA	6	22000	6342
69,1	536	1,5	14,04	DXSC402	132MA	6	17635	5039
68,9	514	2,0	42,53	DXSC502	112M	2	22000	6352
68,1	520	1,4	43,05	DXSC402	112M	2	17735	5067

5.1 DXSC GEARED MOTORS (50Hz)

4,00 kW

n2 [rpm]	M2 [Nm]	fs	i	Gear reducer	Motor Size	Pole	Fr2 D [N]	Fr2 C-L [N]
66,6	532	1,8	44,00	DXSC502	112M	2	22000	6434
65,7	539	3,3	44,63	DXSC602	112M	2	30000	9231
65,5	560	1,4	22,13	DXSC402	112M	4	17848	5100
65,5	560	2,5	22,13	DXSC502	112M	4	22000	6430
62,9	589	1,4	15,43	DXSC402	132MA	6	18000	5149
62,9	589	2,2	15,43	DXSC502	132MA	6	22000	6503
62,1	569	2,1	47,13	DXSC502	112M	2	22000	6562
61,6	601	1,3	15,73	DXSC402	132MA	6	18000	5189
60,4	607	1,3	24,00	DXSC402	112M	4	18000	5208
59,7	614	2,4	24,28	DXSC502	112M	4	22000	6602
59,7	592	3,0	49,04	DXSC602	112M	2	30000	9455
58,3	607	1,2	50,25	DXSC402	112M	2	18000	5276
58,3	607	1,7	50,25	DXSC502	112M	2	22000	6664
56,4	657	2,1	17,21	DXSC502	132MA	6	22000	6727
56,1	660	1,2	17,29	DXSC402	132MA	6	18000	5315
55,7	659	1,2	26,05	DXSC402	112M	4	18000	5318
55,1	666	2,2	26,33	DXSC502	112M	4	22000	6769
54,6	649	3,0	53,75	DXSC602	112M	2	30000	9732
54,0	655	1,1	54,27	DXSC402	112M	2	18000	5395
53,2	690	1,3	27,29	DXSC402	112M	4	18000	5389
53,1	666	1,4	55,14	DXSC502	112M	2	22000	6861
51,1	726	2,0	19,00	DXSC502	132MA	6	22000	6895
51,0	727	1,1	19,03	DXSC402	132MA	6	18000	5429
50,6	725	1,2	28,67	DXSC402	112M	4	18000	5447
49,3	718	1,7	59,40	DXSC502	112M	2	22000	7006
49,0	749	1,2	29,60	DXSC402	112M	4	18000	5489
48,5	756	2,0	29,87	DXSC502	112M	4	22000	7011
48,2	769	1,1	20,14	DXSC402	132MA	6	18000	5505
47,5	772	3,9	30,51	DXSC602	112M	4	30000	10053
47,3	749	1,0	61,98	DXSC402	112M	2	18000	5562
46,6	796	1,8	20,83	DXSC502	132MA	6	22000	7092
45,7	812	3,6	21,25	DXSC602	132MA	6	30000	10184
45,6	804	1,2	31,78	DXSC402	112M	4	18000	5584
45,2	767	2,6	64,84	DXSC603	112M	2	30000	10270
44,7	819	1,8	32,40	DXSC502	112M	4	22000	7169
44,4	797	2,8	66,00	DXSC602	112M	2	30000	10273
44,3	828	3,6	32,76	DXSC602	112M	4	30000	10269
43,9	845	1,0	22,13	DXSC402	132MA	6	18000	5644
43,9	845	1,7	22,13	DXSC502	132MA	6	22000	7210
43,4	846	3,5	33,44	DXSC602	112M	4	30000	10327
43,3	854	3,4	22,37	DXSC602	132MA	6	30000	10326
43,1	820	1,4	67,84	DXSC502	112M	2	22000	7268

4,00 kW

n2 [rpm]	M2 [Nm]	fs	i	Gear reducer	Motor Size	Pole	Fr2 D [N]	Fr2 C-L [N]
41,6	890	3,4	23,29	DXSC602	132MA	6	30000	10439
41,5	883	1,1	34,91	DXSC402	112M	4	18000	5710
41,5	883	1,6	34,91	DXSC502	112M	4	22000	7302
41,2	840	2,4	71,07	DXSC603	112M	2	30000	10531
41,2	890	3,4	35,20	DXSC602	112M	4	30000	10451
40,8	898	1,1	35,50	DXSC402	112M	4	18000	5732
40,4	916	0,9	24,00	DXSC402	132MA	6	18000	5751
39,9	927	1,7	24,28	DXSC502	132MA	6	22000	7392
39,5	877	1,4	74,18	DXSC503	112M	2	22000	7439
37,9	969	1,5	38,30	DXSC502	112M	4	22000	7486
37,4	928	2,4	78,46	DXSC603	112M	2	30000	10815
37,1	999	3,2	26,15	DXSC602	132MA	6	30000	10736
36,8	1006	1,6	26,33	DXSC502	132MA	6	22000	7533
36,2	1013	1,0	40,05	DXSC402	112M	4	18000	5891
36,0	963	1,2	81,39	DXSC503	112M	2	22000	7649
35,5	1042	0,9	27,29	DXSC402	132MA	6	18000	5905
35,3	1039	2,9	41,07	DXSC602	112M	4	30000	10886
34,1	1076	1,3	42,53	DXSC502	112M	4	22000	7694
33,9	1092	2,9	28,60	DXSC602	132MA	6	30000	10988
33,7	1089	0,9	43,05	DXSC402	112M	4	18000	5985
33,5	1032	2,2	87,27	DXSC603	112M	2	30000	11124
33,3	1103	2,7	43,60	DXSC602	112M	4	30000	11056
32,9	1113	1,2	44,00	DXSC502	112M	4	22000	7777
32,6	1062	1,1	89,77	DXSC503	112M	2	22000	7849
32,5	1129	2,1	44,63	DXSC602	112M	4	30000	11142
32,5	1141	1,4	29,87	DXSC502	132MA	6	22000	7784
31,8	1165	2,7	30,51	DXSC602	132MA	6	30000	11172
30,8	1192	1,3	47,13	DXSC502	112M	4	22000	7901
29,9	1237	1,3	32,40	DXSC502	132MA	6	22000	7968
29,6	1240	1,9	49,04	DXSC602	112M	4	30000	11200
29,6	1251	2,5	32,76	DXSC602	132MA	6	30000	11200
29,3	1185	1,0	100,15	DXSC503	112M	2	22000	8075
29,0	1277	2,5	33,44	DXSC602	132MA	6	30000	11200
28,9	1271	1,1	50,25	DXSC502	112M	4	22000	8044
27,8	1333	1,1	34,91	DXSC502	132MA	6	22000	8118
27,7	1252	1,8	105,91	DXSC603	112M	2	30000	11200
27,6	1344	2,3	35,20	DXSC602	132MA	6	30000	11200
27,0	1360	1,9	53,75	DXSC602	112M	4	30000	11200
26,3	1394	0,9	55,14	DXSC502	112M	4	22000	8232
26,0	1331	1,7	112,52	DXSC603	112M	2	30000	11200
25,3	1463	1,1	38,30	DXSC502	132MA	6	22000	8283
24,4	1503	1,1	59,40	DXSC502	112M	4	22000	8382

4,00 kW

n2 [rpm]	M2 [Nm]	fs	i	Gear reducer	Size	Motor Pole	Fr2 D [N]	Fr2 C-L [N]
23,8	1459	1,5	123,33	DXSC603	112M	2	30000	11200
23,6	1568	2,0	41,07	DXSC602	132MA	6	30000	11200
22,8	1624	0,9	42,53	DXSC502	132MA	6	22000	8493
22,5	1538	1,4	130,04	DXSC603	112M	2	30000	11200
22,4	1606	1,7	64,84	DXSC603	112M	4	30000	11200
22,2	1665	1,9	43,60	DXSC602	132MA	6	30000	11200
22,0	1669	1,8	66,00	DXSC602	112M	4	30000	11200
21,9	1582	1,4	133,78	DXSC603	112M	2	30000	11200
21,7	1704	1,5	44,63	DXSC602	132MA	6	30000	11200
21,3	1716	0,9	67,84	DXSC502	112M	4	22000	8649
20,6	1800	0,9	47,13	DXSC502	132MA	6	22000	8697
20,4	1760	1,5	71,07	DXSC603	112M	4	30000	11200
19,8	1873	1,3	49,04	DXSC602	132MA	6	30000	11200
19,3	1791	1,3	151,43	DXSC603	112M	2	30000	11200
18,5	1944	1,5	78,46	DXSC603	112M	4	30000	11200
18,1	2053	1,3	53,75	DXSC602	132MA	6	30000	11200
16,6	2161	1,4	87,27	DXSC603	112M	4	30000	11200
16,5	2100	1,1	177,53	DXSC603	112M	2	30000	11200
15,0	2425	1,2	64,84	DXSC603	132MA	6	30000	11200
14,7	2520	1,2	66,00	DXSC602	132MA	6	30000	11200
13,7	2623	1,1	105,91	DXSC603	112M	4	30000	11200
13,6	2657	1,1	71,07	DXSC603	132MA	6	30000	11200
12,9	2787	1,1	112,52	DXSC603	112M	4	30000	11200
12,4	2934	1,1	78,46	DXSC603	132MA	6	30000	11200
11,8	3054	1,0	123,33	DXSC603	112M	4	30000	11200
11,2	3221	0,9	130,04	DXSC603	112M	4	30000	11200
11,1	3263	1,0	87,27	DXSC603	132MA	6	30000	11200
10,8	3313	0,9	133,78	DXSC603	112M	4	30000	11200

5,50 kW

n2 [rpm]	M2 [Nm]	fs	i	Gear reducer	Size	Motor Pole	Fr2 D [N]	Fr2 C-L [N]
402,0	121	3,4	7,34	DXSC402	132S	2	10466	2990
365,9	133	3,3	8,06	DXSC402	132S	2	10769	3077
296,7	164	3,0	9,94	DXSC402	132S	2	11434	3267
271,0	180	4,0	10,88	DXSC502	132S	2	14530	4151
254,1	191	2,7	11,61	DXSC402	132S	2	12006	3430
231,4	210	2,7	12,75	DXSC402	132S	2	12305	3516
231,4	210	3,6	12,75	DXSC502	132S	2	15270	4363
210,9	231	3,9	13,99	DXSC502	132S	2	15708	4488
210,1	232	2,5	14,04	DXSC402	132S	2	12643	3612
200,3	252	2,2	7,34	DXSC402	132MS	4	12789	3654

5,50 kW

n2 [rpm]	M2 [Nm]	fs	i	Gear reducer	Motor Size	Pole	Fr2 D [N]	Fr2 C-L [N]
191,2	255	2,2	15,43	DXSC402	132S	2	13042	3726
191,2	255	3,6	15,43	DXSC502	132S	2	16232	4638
187,6	259	2,2	15,73	DXSC402	132S	2	13113	3747
182,3	277	2,2	8,06	DXSC402	132MS	4	13137	3753
182,3	277	3,1	8,06	DXSC502	132MS	4	16374	4678
171,4	284	3,4	17,21	DXSC502	132S	2	16776	4793
170,6	285	2,0	17,29	DXSC402	132S	2	13472	3849
166,1	304	2,9	8,85	DXSC502	132MS	4	16870	4820
155,3	314	3,3	19,00	DXSC502	132S	2	17280	4937
155,0	314	1,8	19,03	DXSC402	132S	2	13786	3939
147,8	341	1,9	9,94	DXSC402	132MS	4	13984	3995
146,5	332	1,7	20,14	DXSC402	132S	2	14059	4017
141,6	344	3,1	20,83	DXSC502	132S	2	17686	5053
135,0	374	2,5	10,88	DXSC502	132MS	4	17975	5136
133,3	365	1,6	22,13	DXSC402	132S	2	14375	4107
133,3	365	2,9	22,13	DXSC502	132S	2	18004	5144
132,2	385	1,5	7,34	DXSC402	132MB	6	14353	4101
126,6	399	1,7	11,61	DXSC402	132MS	4	14585	4167
122,9	396	1,5	24,00	DXSC402	132S	2	14697	4199
121,5	401	2,8	24,28	DXSC502	132S	2	18520	5291
120,3	424	1,5	8,06	DXSC402	132MB	6	14761	4217
120,3	424	2,1	8,06	DXSC502	132MB	6	18562	5304
115,3	437	1,7	12,75	DXSC402	132MS	4	14929	4265
115,3	437	2,3	12,75	DXSC502	132MS	4	18785	5367
113,2	430	1,4	26,05	DXSC402	132S	2	15079	4308
112,0	435	2,6	26,33	DXSC502	132S	2	18964	5418
109,6	464	2,0	8,85	DXSC502	132MB	6	19066	5447
108,1	450	1,5	27,29	DXSC402	132S	2	15224	4350
105,1	480	2,5	13,99	DXSC502	132MS	4	19256	5502
104,7	482	1,6	14,04	DXSC402	132MS	4	15286	4367
102,8	473	1,4	28,67	DXSC402	132S	2	15424	4407
99,6	488	1,4	29,60	DXSC402	132S	2	15553	4444
98,8	493	2,3	29,87	DXSC502	132S	2	19646	5613
97,5	523	1,3	9,94	DXSC402	132MB	6	15591	4455
95,3	530	1,4	15,43	DXSC402	132MS	4	15716	4490
95,3	530	2,3	15,43	DXSC502	132MS	4	19878	5679
93,5	540	1,4	15,73	DXSC402	132MS	4	15792	4512
92,8	524	1,4	31,78	DXSC402	132S	2	15841	4526
91,0	535	2,1	32,40	DXSC502	132S	2	20185	5767
89,1	571	1,7	10,88	DXSC502	132MB	6	20222	5778
85,4	591	2,2	17,21	DXSC502	132MS	4	20499	5857
85,0	593	1,3	17,29	DXSC402	132MS	4	16119	4605

5.1 DXSC GEARED MOTORS (50Hz)

5,50 kW

n2 [rpm]	M2 [Nm]	fs	i	Gear reducer	Size	Motor Pole	Fr2 D [N]	Fr2 C-L [N]
84,5	576	1,3	34,91	DXSC402	132S	2	16267	4648
84,5	576	1,8	34,91	DXSC502	132S	2	20614	5890
83,8	581	3,9	35,20	DXSC602	132S	2	29431	8409
83,6	610	1,2	11,61	DXSC402	132MB	6	16208	4631
77,4	652	2,1	19,00	DXSC502	132MS	4	21068	6020
77,3	653	1,2	19,03	DXSC402	132MS	4	16502	4715
77,0	632	1,8	38,30	DXSC502	132S	2	21075	6021
76,1	669	1,2	12,75	DXSC402	132MB	6	16583	4738
76,1	669	1,6	12,75	DXSC502	132MB	6	21129	6037
73,0	691	1,1	20,14	DXSC402	132MS	4	16757	4788
71,8	678	3,3	41,07	DXSC602	132S	2	30000	8776
70,6	714	1,9	20,83	DXSC502	132MS	4	21605	6173
69,3	702	1,5	42,53	DXSC502	132S	2	21712	6203
69,3	734	1,7	13,99	DXSC502	132MB	6	21670	6191
69,2	729	3,8	21,25	DXSC602	132MS	4	30000	8847
69,1	737	1,1	14,04	DXSC402	132MB	6	16967	4848
68,5	711	1,1	43,05	DXSC402	132S	2	17081	4880
67,6	720	3,1	43,60	DXSC602	132S	2	30000	8920
66,4	759	1,1	22,13	DXSC402	132MS	4	17105	4887
66,4	759	1,8	22,13	DXSC502	132MS	4	21879	6251
66,1	737	2,4	44,63	DXSC602	132S	2	30000	8976
65,7	767	3,6	22,37	DXSC602	132MS	4	30000	8986
63,1	799	3,6	23,29	DXSC602	132MS	4	30000	9050
62,9	810	1,0	15,43	DXSC402	132MB	6	17297	4942
62,9	810	1,6	15,43	DXSC502	132MB	6	22000	6339
62,6	777	1,5	47,13	DXSC502	132S	2	22000	6379
61,7	826	1,0	15,73	DXSC402	132MB	6	17372	4963
61,2	824	1,0	24,00	DXSC402	132MS	4	17481	4994
60,6	833	1,8	24,28	DXSC502	132MS	4	22000	6408
60,2	809	2,2	49,04	DXSC602	132S	2	30000	9206
56,4	904	1,5	17,21	DXSC502	132MB	6	22000	6524
56,2	898	3,3	26,15	DXSC602	132MS	4	30000	9364
55,9	904	1,6	26,33	DXSC502	132MS	4	22000	6571
54,9	887	2,2	53,75	DXSC602	132S	2	30000	9423
53,8	936	0,9	27,29	DXSC402	132MS	4	17980	5137
51,4	981	3,0	28,60	DXSC602	132MS	4	30000	9582
51,3	984	0,9	28,67	DXSC402	132MS	4	18000	5176
51,1	998	1,5	19,00	DXSC502	132MB	6	22000	6693
49,2	1025	1,5	29,87	DXSC502	132MS	4	22000	6764
48,2	1047	2,9	30,51	DXSC602	132MS	4	30000	9706
46,6	1094	1,3	20,83	DXSC502	132MB	6	22000	6851
46,3	1090	0,9	31,78	DXSC402	132MS	4	18000	5287

5.1 DXSC GEARED MOTORS (50Hz)

5,50 kW

n2 [rpm]	M2 [Nm]	fs	i	Gear reducer	Motor Size	Pole	Fr2 D [N]	Fr2 C-L [N]
45,6	1116	2,6	21,25	DXSC602	132MB	6	30000	9826
45,5	1048	1,9	64,84	DXSC603	132S	2	30000	9947
45,4	1112	1,3	32,40	DXSC502	132MS	4	22000	6928
44,9	1124	2,7	32,76	DXSC602	132MS	4	30000	9880
44,7	1089	2,0	66,00	DXSC602	132S	2	30000	9966
44,0	1147	2,6	33,44	DXSC602	132MS	4	30000	9964
43,8	1162	1,3	22,13	DXSC502	132MB	6	22000	6955
43,3	1175	2,5	22,37	DXSC602	132MB	6	30000	9976
42,1	1198	1,2	34,91	DXSC502	132MS	4	22000	7045
41,8	1208	2,5	35,20	DXSC602	132MS	4	30000	10073
41,6	1223	2,5	23,29	DXSC602	132MB	6	30000	10075
41,5	1148	1,7	71,07	DXSC603	132S	2	30000	10177
40,0	1275	1,2	24,28	DXSC502	132MB	6	22000	7114
38,4	1314	1,1	38,30	DXSC502	132MS	4	22000	7193
37,6	1268	1,8	78,46	DXSC603	132S	2	30000	10400
37,1	1373	2,3	26,15	DXSC602	132MB	6	30000	10330
36,8	1383	1,1	26,33	DXSC502	132MB	6	22000	7253
35,8	1409	2,1	41,07	DXSC602	132MS	4	30000	10431
34,5	1459	1,0	42,53	DXSC502	132MS	4	22000	7384
33,9	1502	2,1	28,60	DXSC602	132MB	6	30000	10545
33,8	1410	1,6	87,27	DXSC603	132S	2	30000	10692
33,7	1496	2,0	43,60	DXSC602	132MS	4	30000	10592
32,9	1531	1,6	44,63	DXSC602	132MS	4	30000	10631
32,4	1569	1,0	29,87	DXSC502	132MB	6	22000	7484
31,8	1602	1,9	30,51	DXSC602	132MB	6	30000	10724
31,2	1617	1,0	47,13	DXSC502	132MS	4	22000	7547
30,0	1683	1,4	49,04	DXSC602	132MS	4	30000	10872
29,9	1701	0,9	32,40	DXSC502	132MB	6	22000	7620
29,6	1720	1,8	32,76	DXSC602	132MB	6	30000	10890
29,0	1756	1,8	33,44	DXSC602	132MB	6	30000	10915
27,9	1711	1,3	105,91	DXSC603	132S	2	30000	11136
27,6	1848	1,7	35,20	DXSC602	132MB	6	30000	11033
27,3	1844	1,4	53,75	DXSC602	132MS	4	30000	11071
26,3	1817	1,2	112,52	DXSC603	132S	2	30000	11200
23,9	1992	1,1	123,33	DXSC603	132S	2	30000	11200
23,6	2157	1,4	41,07	DXSC602	132MB	6	30000	11200
22,7	2100	1,1	130,04	DXSC603	132S	2	30000	11200
22,7	2178	1,2	64,84	DXSC603	132MS	4	30000	11200
22,3	2264	1,3	66,00	DXSC602	132MS	4	30000	11200
22,2	2289	1,4	43,60	DXSC602	132MB	6	30000	11200
22,1	2161	1,0	133,78	DXSC603	132S	2	30000	11200
21,7	2344	1,1	44,63	DXSC602	132MB	6	30000	11200

5,50 kW

n2 [rpm]	M2 [Nm]	fs	i	Gear reducer	Size	Motor Pole	Fr2 D [N]	Fr2 C-L [N]
20,7	2387	1,1	71,07	DXSC603	132MS	4	30000	11200
19,8	2575	1,0	49,04	DXSC602	132MB	6	30000	11200
18,8	2636	1,1	78,46	DXSC603	132MS	4	30000	11200
18,0	2822	1,0	53,75	DXSC602	132MB	6	30000	11200
16,8	2931	1,0	87,27	DXSC603	132MS	4	30000	11200
14,7	3465	0,9	66,00	DXSC602	132MB	6	30000	11200

7,50 kW

n2 [rpm]	M2 [Nm]	fs	i	Gear reducer	Size	Motor Pole	Fr2 D [N]	Fr2 C-L [N]
402,0	165	2,5	7,34	DXSC402	132M	2	10278	2937
365,9	182	2,5	8,06	DXSC402	132M	2	10586	3025
365,9	182	3,5	8,06	DXSC502	132M	2	13139	3754
333,4	199	3,3	8,85	DXSC502	132M	2	13544	3870
296,7	224	2,2	9,94	DXSC402	132M	2	11226	3207
271,0	245	2,9	10,88	DXSC502	132M	2	14361	4103
254,1	261	2,0	11,61	DXSC402	132M	2	11774	3364
231,3	287	1,9	12,75	DXSC402	132M	2	12087	3453
231,3	287	2,6	12,75	DXSC502	132M	2	15117	4319
210,9	315	2,9	13,99	DXSC502	132M	2	15474	4421
210,1	316	1,8	14,04	DXSC402	132M	2	12367	3533
198,9	346	1,6	7,34	DXSC402	132M	4	12511	3575
191,2	347	1,6	15,43	DXSC402	132M	2	12733	3638
191,2	347	2,7	15,43	DXSC502	132M	2	15989	4568
187,6	354	1,6	15,73	DXSC402	132M	2	12799	3657
181,1	380	1,6	8,06	DXSC402	132M	4	12830	3666
181,1	380	2,2	8,06	DXSC502	132M	4	16145	4613
171,4	387	2,5	17,21	DXSC502	132M	2	16472	4706
170,6	389	1,5	17,29	DXSC402	132M	2	13103	3744
165,0	417	2,1	8,85	DXSC502	132M	4	16615	4747
155,3	427	2,4	19,00	DXSC502	132M	2	16980	4851
155,0	428	1,3	19,03	DXSC402	132M	2	13459	3845
146,8	469	1,4	9,94	DXSC402	132M	4	13571	3877
146,5	453	1,3	20,14	DXSC402	132M	2	13609	3888
141,7	469	2,2	20,83	DXSC502	132M	2	17395	4970
134,1	513	1,9	10,88	DXSC502	132M	4	17584	5024
133,3	498	1,2	22,13	DXSC402	132M	2	13939	3982
133,3	498	2,1	22,13	DXSC502	132M	2	17660	5046
125,8	547	1,3	11,61	DXSC402	132M	4	14080	4023
122,9	540	1,1	24,00	DXSC402	132M	2	14248	4071
121,5	547	2,0	24,28	DXSC502	132M	2	18192	5198
114,5	601	1,2	12,75	DXSC402	132M	4	14426	4122

7,50 kW

n2 [rpm]	M2 [Nm]	fs	i	Gear reducer	Size	Motor Pole	Fr2 D [N]	Fr2 C-L [N]
114,5	601	1,7	12,75	DXSC502	132M	4	18404	5258
113,3	586	1,0	26,05	DXSC402	132M	2	14510	4146
112,8	588	3,8	26,15	DXSC602	132M	2	26423	7549
112,0	592	1,9	26,33	DXSC502	132M	2	18535	5296
108,1	614	1,1	27,29	DXSC402	132M	2	14673	4192
104,4	659	1,8	13,99	DXSC502	132M	4	18837	5382
103,9	661	1,1	14,04	DXSC402	132M	4	14757	4216
103,1	644	3,5	28,60	DXSC602	132M	2	27122	7749
102,9	645	1,0	28,67	DXSC402	132M	2	14893	4255
99,7	666	1,0	29,60	DXSC402	132M	2	14956	4273
98,8	672	1,7	29,87	DXSC502	132M	2	19181	5480
96,7	687	3,2	30,51	DXSC602	132M	2	27647	7899
94,6	727	1,1	15,43	DXSC402	132M	4	15052	4301
94,6	727	1,7	15,43	DXSC502	132M	4	19336	5525
92,9	715	1,0	31,78	DXSC402	132M	2	15248	4357
92,8	741	1,0	15,73	DXSC402	132M	4	15116	4319
91,0	729	1,5	32,40	DXSC502	132M	2	19638	5611
90,1	737	3,1	32,76	DXSC602	132M	2	28070	8020
88,2	753	3,0	33,44	DXSC602	132M	2	28325	8093
84,8	811	1,6	17,21	DXSC502	132M	4	19898	5685
84,5	786	1,3	34,91	DXSC502	132M	2	20027	5722
84,4	815	0,9	17,29	DXSC402	132M	4	15433	4409
83,8	792	2,8	35,20	DXSC602	132M	2	28705	8201
77,0	862	1,3	38,30	DXSC502	132M	2	20478	5851
76,8	895	1,6	19,00	DXSC502	132M	4	20409	5831
71,8	924	2,4	41,07	DXSC602	132M	2	29753	8501
70,1	981	1,4	20,83	DXSC502	132M	4	20921	5977
69,4	957	1,1	42,53	DXSC502	132M	2	21029	6008
68,7	1001	2,8	21,25	DXSC602	132M	4	30000	8572
67,7	981	2,3	43,60	DXSC602	132M	2	30000	8628
66,1	1004	1,8	44,63	DXSC602	132M	2	30000	8708
66,0	1042	1,3	22,13	DXSC502	132M	4	21199	6057
65,2	1054	2,6	22,37	DXSC602	132M	4	30000	8680
62,7	1097	2,6	23,29	DXSC602	132M	4	30000	8765
62,5	1060	1,1	47,13	DXSC502	132M	2	21644	6184
60,1	1143	1,3	24,28	DXSC502	132M	4	21714	6204
60,1	1104	1,6	49,04	DXSC602	132M	2	30000	8894
55,8	1232	2,4	26,15	DXSC602	132M	4	30000	8992
55,5	1240	1,2	26,33	DXSC502	132M	4	22000	6324
54,8	1209	1,6	53,75	DXSC602	132M	2	30000	9103
51,0	1347	2,2	28,60	DXSC602	132M	4	30000	9176
48,9	1407	1,1	29,87	DXSC502	132M	4	22000	6497

5.1 DXSC GEARED MOTORS (50Hz)

7,50 kW

n2 [rpm]	M2 [Nm]	fs	i	Gear reducer	Size	Motor Pole	Fr2 D [N]	Fr2 C-L [N]
47,8	1437	2,1	30,51	DXSC602	132M	4	30000	9322
45,5	1428	1,4	64,84	DXSC603	132M	2	30000	9529
45,1	1526	1,0	32,40	DXSC502	132M	4	22000	6614
44,7	1485	1,5	66,00	DXSC602	132M	2	30000	9504
44,6	1543	1,9	32,76	DXSC602	132M	4	30000	9451
43,7	1575	1,9	33,44	DXSC602	132M	4	30000	9507
41,5	1658	1,8	35,20	DXSC602	132M	4	30000	9594
41,5	1566	1,3	71,07	DXSC603	132M	2	30000	9719
37,6	1728	1,3	78,46	DXSC603	132M	2	30000	9920
35,6	1934	1,6	41,07	DXSC602	132M	4	30000	9889
33,8	1922	1,2	87,27	DXSC603	132M	2	30000	10103
33,5	2053	1,5	43,60	DXSC602	132M	4	30000	9999
32,7	2102	1,1	44,63	DXSC602	132M	4	30000	10041
29,8	2310	1,0	49,04	DXSC602	132M	4	30000	10205
27,2	2532	1,0	53,75	DXSC602	132M	4	30000	10367
22,5	2990	0,9	64,84	DXSC603	132M	4	30000	10696
22,2	3109	1,0	66,00	DXSC602	132M	4	30000	10658

11,00 kW

n2 [rpm]	M2 [Nm]	fs	i	Gear reducer	Size	Motor Pole	Fr2 D [N]	Fr2 C-L [N]
182,9	551	1,5	8,06	DXSC502	160MA	4	15642	4469
173,9	580	2,6	8,48	DXSC602	160MA	4	22641	6469
166,7	605	1,5	8,85	DXSC502	160MA	4	16034	4581
158,6	636	2,7	9,30	DXSC602	160MA	4	23193	6627
144,1	700	2,4	10,24	DXSC602	160MA	4	23777	6793
135,5	744	1,3	10,88	DXSC502	160MA	4	16919	4834
129,2	781	2,4	11,42	DXSC602	160MA	4	24439	6983
120,3	847	1,1	8,06	DXSC502	160L	6	17408	4974
116,8	863	2,5	12,63	DXSC602	160MA	4	25052	7158
115,7	872	1,1	12,75	DXSC502	160MA	4	17598	5028
114,4	891	1,8	8,48	DXSC602	160L	6	25148	7185
109,6	929	1,0	8,85	DXSC502	160L	6	17804	5087
106,6	946	2,5	13,84	DXSC602	160MA	4	25608	7317
105,4	956	1,3	13,99	DXSC502	160MA	4	17996	5142
104,3	976	1,8	9,30	DXSC602	160L	6	25700	7343
94,7	1075	1,7	10,24	DXSC602	160L	6	26276	7508
86,8	1162	2,2	16,99	DXSC602	160MA	4	26837	7668
85,7	1177	1,1	17,21	DXSC502	160MA	4	18874	5393
85,0	1199	1,7	11,42	DXSC602	160L	6	26918	7691
76,8	1326	1,7	12,63	DXSC602	160L	6	27500	7857
70,1	1453	1,7	13,84	DXSC602	160L	6	28017	8005

5.1 DXSC GEARED MOTORS (50Hz)

11,00 kW

n2 [rpm]	M2 [Nm]	fs	i	Gear reducer	Size	Motor Pole	Fr2 D [N]	Fr2 C-L [N]
69,4	1453	1,9	21,25	DXSC602	160MA	4	28127	8036
65,9	1529	1,8	22,37	DXSC602	160MA	4	28411	8117
63,3	1592	1,8	23,29	DXSC602	160MA	4	28631	8180
57,1	1784	1,5	16,99	DXSC602	160L	6	29113	8318
56,4	1788	1,7	26,15	DXSC602	160MA	4	29242	8355
51,6	1955	1,5	28,60	DXSC602	160MA	4	29687	8482
48,3	2086	1,4	30,51	DXSC602	160MA	4	29992	8569
45,6	2231	1,3	21,25	DXSC602	160L	6	30000	8619
45,0	2240	1,3	32,76	DXSC602	160MA	4	30000	8660
44,1	2287	1,3	33,44	DXSC602	160MA	4	30000	8685
43,4	2349	1,3	22,37	DXSC602	160L	6	30000	8680
41,9	2407	1,2	35,20	DXSC602	160MA	4	30000	8745
41,6	2446	1,2	23,29	DXSC602	160L	6	30000	8726
37,1	2746	1,1	26,15	DXSC602	160L	6	30000	8844
35,9	2808	1,1	41,07	DXSC602	160MA	4	30000	8903
33,9	3003	1,0	28,60	DXSC602	160L	6	30000	8920
31,8	3204	1,0	30,51	DXSC602	160L	6	30000	8965
29,6	3440	0,9	32,76	DXSC602	160L	6	30000	9005

15,00 kW

n2 [rpm]	M2 [Nm]	fs	i	Gear reducer	Size	Motor Pole	Fr2 D [N]	Fr2 C-L [N]
182,9	752	1,1	8,06	DXSC502	160LA	4	15122	4321
173,9	791	1,9	8,48	DXSC602	160LA	4	21842	6241
166,7	825	1,1	8,85	DXSC502	160LA	4	15463	4418
158,6	867	2,0	9,30	DXSC602	160LA	4	22318	6376
144,1	955	1,8	10,24	DXSC602	160LA	4	22813	6518
135,5	1015	0,9	10,88	DXSC502	160LA	4	16217	4633
129,2	1064	1,8	11,42	DXSC602	160LA	4	23364	6675
116,8	1177	1,9	12,63	DXSC602	160LA	4	23862	6818
115,5	1202	1,3	8,48	DXSC602	180L	6	23871	6820
106,6	1290	1,9	13,84	DXSC602	160LA	4	24305	6944
105,4	1304	0,9	13,99	DXSC502	160LA	4	17093	4884
105,4	1318	1,4	9,30	DXSC602	180L	6	24308	6945
95,7	1451	1,2	10,24	DXSC602	180L	6	24749	7071
86,8	1584	1,6	16,99	DXSC602	160LA	4	25237	7211
85,8	1618	1,2	11,42	DXSC602	180L	6	25224	7207
77,6	1789	1,3	12,63	DXSC602	180L	6	25634	7324
70,8	1961	1,3	13,84	DXSC602	180L	6	25979	7423
69,4	1981	1,4	21,25	DXSC602	160LA	4	26125	7464
65,9	2085	1,3	22,37	DXSC602	160LA	4	26304	7515
63,3	2172	1,3	23,29	DXSC602	160LA	4	26438	7554

15,00 kW

n2 [rpm]	M2 [Nm]	fs	i	Gear reducer	Size	Motor Pole	Fr2 D [N]	Fr2 C-L [N]
57,7	2408	1,1	16,99	DXSC602	180L	6	26628	7608
56,4	2438	1,2	26,15	DXSC602	160LA	4	26778	7651
51,6	2666	1,1	28,60	DXSC602	160LA	4	26993	7712
48,3	2845	1,1	30,51	DXSC602	160LA	4	27118	7748
46,1	3012	1,0	21,25	DXSC602	180L	6	27079	7737
45,0	3054	1,0	32,76	DXSC602	160LA	4	27224	7778
44,1	3118	1,0	33,44	DXSC602	160LA	4	27248	7785
43,8	3170	0,9	22,37	DXSC602	180L	6	27136	7753
42,1	3301	0,9	23,29	DXSC602	180L	6	27166	7762
41,9	3282	0,9	35,20	DXSC602	160LA	4	27293	7798

18,50 kW

n2 [rpm]	M2 [Nm]	fs	i	Gear reducer	Size	Motor Pole	Fr2 D [N]	Fr2 C-L [N]
173,3	979	1,5	8,48	DXSC602	180M	4	21158	6045
158,1	1073	1,6	9,30	DXSC602	180M	4	21566	6162
143,6	1181	1,4	10,24	DXSC602	180M	4	21983	6281
128,8	1317	1,4	11,42	DXSC602	180M	4	22437	6411
116,4	1457	1,5	12,63	DXSC602	180M	4	22835	6524
115,5	1483	1,1	8,48	DXSC602	200LA	6	22809	6517
106,2	1597	1,5	13,84	DXSC602	180M	4	23176	6622
105,4	1625	1,1	9,30	DXSC602	200LA	6	23143	6612
95,7	1790	1,0	10,24	DXSC602	200LA	6	23467	6705
86,5	1961	1,3	16,99	DXSC602	180M	4	23846	6813
85,8	1996	1,0	11,42	DXSC602	200LA	6	23794	6798
77,6	2207	1,0	12,63	DXSC602	200LA	6	24052	6872
70,8	2419	1,0	13,84	DXSC602	200LA	6	24245	6927
69,2	2452	1,1	21,25	DXSC602	180M	4	24380	6966
65,7	2581	1,1	22,37	DXSC602	180M	4	24466	6990
63,1	2687	1,1	23,29	DXSC602	180M	4	24523	7006
57,7	2970	0,9	16,99	DXSC602	200LA	6	24499	7000
56,2	3018	1,0	26,15	DXSC602	180M	4	24625	7036
51,4	3300	0,9	28,60	DXSC602	180M	4	24635	7039

22,00 kW

n2 [rpm]	M2 [Nm]	fs	i	Gear reducer	Size	Motor Pole	Fr2 D [N]	Fr2 C-L [N]
173,3	1164	1,3	8,48	DXSC602	180L	4	20457	5845
158,1	1276	1,3	9,30	DXSC602	180L	4	20797	5942
143,6	1405	1,2	10,24	DXSC602	180L	4	21137	6039
128,8	1566	1,2	11,42	DXSC602	180L	4	21493	6141

22,00 kW

n2 [rpm]	M2 [Nm]	fs	i	Gear reducer	Size	Motor Pole	Fr2 D [N]	Fr2 C-L [N]
116,4	1732	1,3	12,63	DXSC602	180L	4	21791	6226
106,2	1899	1,3	13,84	DXSC602	180L	4	22032	6295
105,4	1933	0,9	9,30	DXSC602	200LB	6	21978	6279
86,5	2332	1,1	16,99	DXSC602	180L	4	22441	6412
69,2	2916	1,0	21,25	DXSC602	180L	4	22623	6464
65,7	3069	0,9	22,37	DXSC602	180L	4	22616	6462
63,1	3196	0,9	23,29	DXSC602	180L	4	22597	6456

30,00 kW

n2 [rpm]	M2 [Nm]	fs	i	Gear reducer	Size	Motor Pole	Fr2 D [N]	Fr2 C-L [N]
173,9	1582	0,9	8,48	DXSC602	200L	4	18846	5385
158,6	1734	1,0	9,30	DXSC602	200L	4	19034	5438
116,8	2354	0,9	12,63	DXSC602	200L	4	19403	5544
106,6	2581	0,9	13,84	DXSC602	200L	4	19417	5548

DXS302

Mn_2 [Nm]	i	Pn_1 [kW]	n_2 [rpm]	Fr_1 [N]	Fr_2 D [N]	Fr_2 C-L [N]
160	8,63	3,54	202,9	759	3125	3125
179	11,14	3,06	157,1	846	3373	3373
188	12,00	2,99	145,8	859	3428	3428
197	13,66	2,76	128,2	901	3570	3570
226	15,27	2,82	114,6	890	3584	3584
226	16,29	2,64	107,5	922	3689	3689
226	18,63	2,31	93,9	983	3916	3916
226	19,73	2,18	88,7	1007	4015	4015
244	21,04	2,22	83,2	1000	4020	4020
244	21,53	2,17	81,3	1010	4062	4062
244	24,07	1,94	72,7	1051	4267	4267
273	25,20	2,06	69,4	1028	4190	4190
273	25,79	2,02	67,9	1037	4234	4234
273	27,81	1,87	62,9	1064	4381	4381
273	30,00	1,73	58,3	1089	4532	4532
282	32,55	1,65	53,8	1104	4644	4644
282	33,00	1,63	53,0	1108	4673	4673
282	34,09	1,58	51,3	1117	4741	4741
310	36,55	1,62	47,9	1110	4725	4725
310	38,75	1,53	45,2	1127	4853	4853
329	39,90	1,57	43,9	1118	4808	4808
329	42,63	1,47	41,1	1137	4956	4956
329	46,00	1,37	38,0	1156	5131	5131
329	47,20	1,33	37,1	1163	5191	5191
329	52,25	1,20	33,5	1186	5433	5433
329	57,86	1,09	30,2	1208	5685	5685
329	59,42	1,06	29,4	1213	5752	5752
329	72,83	0,86	24,0	1249	6000	6000

DXS303

Mn_2 [Nm]	i	Pn_1 [kW]	n_2 [rpm]	Fr_1 [N]	Fr_2 D [N]	Fr_2 C-L [N]
329	36,50	1,76	48,0	1091	4613	4613
329	47,14	1,36	37,1	1162	5188	5188
329	57,79	1,11	30,3	1207	5682	5682
329	63,74	1,01	27,4	1226	5931	5931
329	74,20	0,86	23,6	1251	6000	6000
329	78,14	0,82	22,4	1259	6000	6000
329	95,84	0,67	18,3	1286	6000	6000
329	117,48	0,55	14,9	1309	6000	6000
329	137,45	0,47	12,7	1323	6000	6000
329	177,55	0,36	9,9	1342	6000	6000

DXS303

Mn_2 [Nm]	i	Pn_1 [kW]	n_2 [rpm]	Fr_1 [N]	Fr_2 D [N]	Fr_2 C-L [N]
329	198,45	0,32	8,8	1348	6000	6000
329	217,64	0,29	8,0	1354	6000	6000
329	256,33	0,25	6,8	1362	6000	6000
329	314,21	0,20	5,6	1370	6000	6000

DXS352

Mn_2 [Nm]	i	Pn_1 [kW]	n_2 [rpm]	Fr_1 [N]	Fr_2 D [N]	Fr_2 C-L [N]
310	8,00	7,40	218,8	413	4832	1933
310	8,92	6,64	196,2	516	5081	2032
338	9,55	6,77	183,3	499	5061	2024
338	10,65	6,07	164,4	593	5325	2130
367	11,71	5,98	149,5	605	5385	2154
395	13,06	5,77	134,0	633	5488	2195
395	13,36	5,64	131,0	650	5548	2219
423	15,94	5,07	109,8	727	5853	2341
423	16,16	5,00	108,3	737	5892	2357
423	19,29	4,19	90,7	846	6407	2563
432	19,55	4,22	89,5	841	6388	2555
442	23,18	3,64	75,5	920	6856	2742
442	23,75	3,55	73,7	931	6934	2774
451	25,14	3,43	69,6	948	7059	2824
451	27,66	3,11	63,3	990	7376	2950
470	30,00	2,99	58,3	1007	7536	3014
508	33,93	2,86	51,6	1025	7733	3093
564	36,57	2,94	47,9	1013	7650	3060
564	39,38	2,73	44,4	1041	7927	3171
564	43,64	2,47	40,1	1077	8324	3329
564	46,10	2,34	38,0	1095	8541	3416
564	48,30	2,23	36,2	1109	8729	3492
564	53,53	2,01	32,7	1138	9154	3661
564	55,00	1,96	31,8	1146	9268	3707
564	67,47	1,60	25,9	1194	10000	4000

DXS353

Mn_2 [Nm]	i	Pn_1 [kW]	n_2 [rpm]	Fr_1 [N]	Fr_2 D [N]	Fr_2 C-L [N]
564	33,57	3,28	52,1	978	7337	2935
564	37,77	2,91	46,3	1026	7770	3108
564	40,05	2,74	43,7	1047	7992	3197
564	49,13	2,24	35,6	1114	8799	3519

DXS353

Mn_2 [Nm]	i	Pn_1 [kW]	n2 [rpm]	Fr1 [N]	Fr2 D [N]	Fr2 C-L [N]
564	55,29	1,99	31,6	1147	9290	3716
564	58,72	1,87	29,8	1162	9548	3819
564	65,85	1,67	26,6	1189	10000	4000
564	68,25	1,61	25,6	1197	10000	4000
564	73,63	1,49	23,8	1212	10000	4000
564	81,43	1,35	21,5	1231	10000	4000
564	99,89	1,10	17,5	1264	10000	4000
564	126,43	0,87	13,8	1294	10000	4000
564	150,85	0,73	11,6	1313	10000	4000
564	182,53	0,60	9,6	1330	10000	4000
564	185,05	0,59	9,5	1331	10000	4000
564	217,79	0,50	8,0	1342	10000	4000
564	267,16	0,41	6,5	1355	10000	4000

DXS402

Mn_2 [Nm]	i	Pn_1 [kW]	n2 [rpm]	Fr1 [N]	Fr2 D [N]	Fr2 C-L [N]
517	7,34	13,45	238,4	1365	11156	3188
564	8,06	13,35	217,1	1376	11407	3259
611	9,94	11,73	176,0	1572	12203	3487
658	11,61	10,82	150,8	1681	12792	3655
705	12,75	10,55	137,2	1714	13109	3745
714	14,04	9,71	124,6	1816	13578	3879
724	15,43	8,95	113,4	1907	14049	4014
724	15,73	8,79	111,3	1927	14153	4044
724	17,29	7,99	101,2	2023	14680	4194
724	19,03	7,26	92,0	2111	15226	4350
724	20,14	6,86	86,9	2159	15559	4445
752	22,13	6,49	79,1	2204	16032	4580
752	24,00	5,98	72,9	2265	16535	4724
752	26,05	5,51	67,2	2322	17056	4873
846	27,29	5,92	64,1	2273	17049	4871
846	28,67	5,63	61,0	2308	17375	4964
846	29,60	5,46	59,1	2329	17588	5025
940	31,78	5,65	55,1	2306	17762	5075
940	34,91	5,14	50,1	2367	18000	5263
940	35,50	5,05	49,3	2377	18000	5297
940	40,05	4,48	43,7	2447	18000	5548
940	43,05	4,17	40,6	2484	18000	5703
940	50,25	3,57	34,8	2556	18000	6047
940	54,27	3,31	32,2	2588	18000	6226
940	61,98	2,90	28,2	2638	18000	6544

DXS403

Mn_2 [Nm]	i	Pn_1 [kW]	n_2 [rpm]	Fr_1 [N]	Fr_2 D [N]	Fr_2 C-L [N]
940	67,52	2,71	25,9	2667	18000	6757
940	74,18	2,47	23,6	2695	18000	6998
940	81,71	2,24	21,4	2722	18000	7200
940	91,49	2,00	19,1	2750	18000	7200
940	100,62	1,82	17,4	2772	18000	7200
940	117,17	1,56	14,9	2802	18000	7200
940	128,73	1,42	13,6	2819	18000	7200
940	136,34	1,34	12,8	2828	18000	7200
940	158,76	1,15	11,0	2851	18000	7200
940	184,88	0,99	9,5	2870	18000	7200
940	203,11	0,90	8,6	2881	18000	7200
940	205,34	0,89	8,5	2882	18000	7200
940	226,04	0,81	7,7	2891	18000	7200
940	250,50	0,73	7,0	2901	18000	7200
940	266,13	0,69	6,6	2906	18000	7200
940	292,36	0,63	6,0	2913	18000	7200
940	315,73	0,58	5,5	2919	18000	7200
940	360,58	0,51	4,8	2927	18000	7200

DXS502

Mn_2 [Nm]	i	Pn_1 [kW]	n_2 [rpm]	Fr_1 [N]	Fr_2 D [N]	Fr_2 C-L [N]
799	8,06	18,92	217,1	788	14063	4018
846	8,85	18,25	197,8	865	14442	4126
893	10,88	15,66	160,8	1166	15499	4428
940	12,75	14,07	137,2	1351	16332	4666
1128	13,99	15,39	125,1	1198	16427	4694
1175	15,43	14,54	113,4	1297	16941	4840
1222	17,21	13,55	101,7	1412	17554	5015
1316	19,00	13,22	92,1	1450	17997	5142
1316	20,83	12,06	84,0	1585	18656	5330
1316	22,13	11,35	79,1	1668	19100	5457
1410	24,28	11,09	72,1	1699	19556	5588
1410	26,33	10,22	66,5	1800	20188	5768
1410	29,87	9,01	58,6	1940	21200	6057
1410	32,40	8,31	54,0	2022	21877	6250
1316	34,91	7,20	50,1	2152	22000	6502
1410	38,30	7,03	45,7	2171	22000	6665
1316	42,53	5,91	41,1	2301	22000	7005
1222	44,00	5,30	39,8	2372	22000	7165
1504	47,13	6,09	37,1	2280	22000	7141
1316	50,25	5,00	34,8	2407	22000	7457

DXS502

Mn_2 [Nm]	i	Pn_1 [kW]	n_2 [rpm]	Fr_1 [N]	Fr_2 D [N]	Fr_2 C-L [N]
1222	55,14	4,23	31,7	2497	22000	7789
1504	59,40	4,83	29,5	2426	22000	7796
1504	67,84	4,23	25,8	2496	22000	8196

DXS503

Mn_2 [Nm]	i	Pn_1 [kW]	n_2 [rpm]	Fr_1 [N]	Fr_2 D [N]	Fr_2 C-L [N]
1504	74,18	3,95	23,6	2539	22000	8474
1504	81,39	3,60	21,5	2578	22000	8773
1504	89,77	3,27	19,5	2617	22000	9000
1504	100,15	2,93	17,5	2655	22000	9000
1504	110,55	2,65	15,8	2687	22000	9000
1504	121,29	2,42	14,4	2713	22000	9000
1504	128,73	2,28	13,6	2729	22000	9000
1504	141,24	2,08	12,4	2752	22000	9000
1504	173,78	1,69	10,1	2797	22000	9000
1504	188,51	1,56	9,3	2812	22000	9000
1504	203,11	1,44	8,6	2824	22000	9000
1504	222,85	1,32	7,8	2839	22000	9000
1504	224,76	1,30	7,8	2840	22000	9000
1504	274,20	1,07	6,4	2867	22000	9000
1504	280,89	1,04	6,2	2870	22000	9000
1504	292,36	1,00	6,0	2875	22000	9000
1504	320,79	0,91	5,5	2885	22000	9000
1504	345,60	0,85	5,1	2892	22000	9000
1504	394,69	0,74	4,4	2904	22000	9000

DXS602

Mn_2 [Nm]	i	Pn_1 [kW]	n_2 [rpm]	Fr_1 [N]	Fr_2 D [N]	Fr_2 C-L [N]
1410	8,48	31,73	206,3	3012	18134	5181
1598	9,30	32,81	188,2	2979	18143	5184
1598	10,24	29,79	170,9	3070	18925	5407
1786	11,42	29,86	153,3	3068	19127	5465
2068	12,63	31,26	138,6	3026	18934	5410
2256	13,84	31,12	126,5	3030	19045	5441
2444	16,99	27,45	103,0	3140	20267	5791
2632	21,25	23,64	82,3	3255	21815	6233
2632	22,37	22,46	78,2	3290	22357	6388
2726	23,29	22,34	75,1	3294	22436	6410
2820	26,15	20,58	66,9	3347	23357	6674

DXS602

Mn_2 [Nm]	i	Pn_1 [kW]	n2 [rpm]	Fr1 [N]	Fr2 D [N]	Fr2 C-L [N]
2820	28,60	18,82	61,2	3400	24377	6965
2820	30,51	17,64	57,4	3435	25134	7181
2820	32,76	16,43	53,4	3471	25982	7423
2820	33,44	16,09	52,3	3482	26235	7496
2820	35,20	15,29	49,7	3506	26863	7675
2820	41,07	13,11	42,6	3571	28822	8235
2820	43,60	12,35	40,1	3594	29610	8460
2256	44,63	9,65	39,2	3675	30000	9160
2256	49,04	8,78	35,7	3702	30000	9526
2444	53,75	8,68	32,6	3705	30000	9690
2820	66,00	8,16	26,5	3720	30000	10148

DXS603

Mn_2 [Nm]	i	Pn_1 [kW]	n2 [rpm]	Fr1 [N]	Fr2 D [N]	Fr2 C-L [N]
2538	64,84	7,63	27,0	3741	30000	10376
2538	71,07	6,96	24,6	3761	30000	10780
2820	78,46	7,01	22,3	3759	30000	10923
2820	87,27	6,30	20,1	3780	30000	11200
2820	105,91	5,19	16,5	3813	30000	11200
2820	112,52	4,89	15,6	3822	30000	11200
2820	123,33	4,46	14,2	3834	30000	11200
2820	130,04	4,23	13,5	3841	30000	11200
2820	133,78	4,11	13,1	3845	30000	11200
2820	151,43	3,63	11,6	3859	30000	11200
2820	177,53	3,10	9,9	3874	30000	11200
2820	194,59	2,83	9,0	3882	30000	11200
2820	215,60	2,55	8,1	3890	30000	11200
2820	238,93	2,30	7,3	3898	30000	11200

DXS302

Mn_2 [Nm]	i	Pn_1 [kW]	n_2 [rpm]	Fr_1 [N]	Fr_2 D [N]	Fr_2 C-L [N]
170	8,63	3,01	162,3	718	3375	3375
190	11,14	2,60	125,7	810	3644	3644
200	12,00	2,55	116,7	824	3703	3703
210	13,66	2,35	102,5	869	3857	3857
240	15,27	2,40	91,7	857	3874	3874
240	16,29	2,25	86,0	891	3987	3987
240	18,63	1,97	75,1	956	4231	4231
240	19,73	1,86	71,0	981	4338	4338
260	21,04	1,89	66,5	974	4345	4345
260	21,53	1,84	65,0	984	4390	4390
260	24,07	1,65	58,2	1029	4611	4611
290	25,20	1,76	55,6	1004	4530	4530
290	25,79	1,72	54,3	1013	4578	4578
290	27,81	1,59	50,3	1042	4736	4736
290	30,00	1,48	46,7	1069	4898	4898
300	32,55	1,41	43,0	1084	5020	5020
300	33,00	1,39	42,4	1089	5051	5051
300	34,09	1,34	41,1	1099	5124	5124
330	36,55	1,38	38,3	1091	5109	5109
330	38,75	1,30	36,1	1109	5246	5246
350	39,90	1,34	35,1	1100	5200	5200
350	42,63	1,25	32,8	1119	5359	5359
350	46,00	1,16	30,4	1140	5547	5547
350	47,20	1,13	29,7	1147	5612	5612
350	52,25	1,02	26,8	1172	5873	5873
350	57,86	0,92	24,2	1195	6000	6000
350	59,42	0,90	23,6	1201	6000	6000
350	72,83	0,73	19,2	1238	6000	6000

DXS303

Mn_2 [Nm]	i	Pn_1 [kW]	n_2 [rpm]	Fr_1 [N]	Fr_2 D [N]	Fr_2 C-L [N]
350	36,50	1,50	38,4	1071	4990	4990
350	47,14	1,16	29,7	1147	5609	5609
350	57,79	0,94	24,2	1195	6000	6000
350	63,74	0,86	22,0	1214	6000	6000
350	74,20	0,74	18,9	1242	6000	6000
350	78,14	0,70	17,9	1250	6000	6000
350	95,84	0,57	14,6	1279	6000	6000
350	117,48	0,46	11,9	1302	6000	6000
350	137,45	0,40	10,2	1317	6000	6000
350	177,55	0,31	7,9	1338	6000	6000

DXS303

Mn_2 [Nm]	i	Pn_1 [kW]	n_2 [rpm]	Fr_1 [N]	Fr_2 D [N]	Fr_2 C-L [N]
350	198,45	0,28	7,0	1345	6000	6000
350	217,64	0,25	6,4	1350	6000	6000
350	256,33	0,21	5,5	1359	6000	6000
350	314,21	0,17	4,5	1367	6000	6000

DXS352

Mn_2 [Nm]	i	Pn_1 [kW]	n_2 [rpm]	Fr_1 [N]	Fr_2 D [N]	Fr_2 C-L [N]
330	8,00	6,30	175,0	350	5225	2090
330	8,92	5,65	156,9	459	5494	2197
360	9,55	5,76	146,7	441	5474	2190
360	10,65	5,16	131,5	541	5759	2303
390	11,71	5,09	119,6	554	5825	2330
420	13,06	4,91	107,2	583	5939	2376
420	13,36	4,80	104,8	602	6004	2401
450	15,94	4,31	87,8	684	6334	2533
450	16,16	4,25	86,6	694	6376	2551
450	19,29	3,56	72,6	810	6930	2772
460	19,55	3,59	71,6	805	6911	2764
470	23,18	3,10	60,4	888	7415	2966
470	23,75	3,02	59,0	901	7499	3000
480	25,14	2,92	55,7	919	7635	3054
480	27,66	2,65	50,6	963	7976	3190
500	30,00	2,55	46,7	981	8149	3260
540	33,93	2,43	41,3	1000	8364	3346
600	36,57	2,51	38,3	988	8280	3312
600	39,38	2,33	35,6	1018	8578	3431
600	43,64	2,10	32,1	1056	9005	3602
600	46,10	1,99	30,4	1075	9239	3695
600	48,30	1,90	29,0	1090	9441	3776
600	53,53	1,71	26,1	1121	9898	3959
600	55,00	1,67	25,4	1129	10000	4000
600	67,47	1,36	20,8	1181	10000	4000

DXS353

Mn_2 [Nm]	i	Pn_1 [kW]	n_2 [rpm]	Fr_1 [N]	Fr_2 D [N]	Fr_2 C-L [N]
600	33,57	2,79	41,7	950	7943	3177
600	37,77	2,48	37,1	1001	8409	3364
600	40,05	2,34	35,0	1024	8648	3459
600	49,13	1,90	28,5	1095	9516	3806

DXS353

Mn_2 [Nm]	i	Pn_1 [kW]	n_2 [rpm]	Fr1 [N]	Fr2 D [N]	Fr2 C-L [N]
600	55,29	1,69	25,3	1130	10000	4000
600	58,72	1,59	23,8	1147	10000	4000
600	65,85	1,42	21,3	1175	10000	4000
600	68,25	1,37	20,5	1183	10000	4000
600	73,63	1,27	19,0	1200	10000	4000
600	81,43	1,15	17,2	1220	10000	4000
600	99,89	0,94	14,0	1255	10000	4000
600	126,43	0,74	11,1	1287	10000	4000
600	150,85	0,62	9,3	1307	10000	4000
600	182,53	0,51	7,7	1324	10000	4000
600	185,05	0,51	7,6	1326	10000	4000
600	217,79	0,43	6,4	1338	10000	4000
600	267,16	0,35	5,2	1351	10000	4000

DXS402

Mn_2 [Nm]	i	Pn_1 [kW]	n_2 [rpm]	Fr1 [N]	Fr2 D [N]	Fr2 C-L [N]
550	7,34	11,44	190,8	1261	12030	3437
600	8,06	11,36	173,6	1273	12302	3515
650	9,94	9,98	140,8	1482	13161	3760
700	11,61	9,21	120,6	1598	13797	3942
750	12,75	8,98	109,8	1632	14140	4040
760	14,04	8,26	99,7	1741	14645	4184
770	15,43	7,62	90,7	1838	15153	4329
770	15,73	7,48	89,0	1859	15264	4361
770	17,29	6,80	81,0	1962	15832	4523
770	19,03	6,18	73,6	2055	16420	4691
770	20,14	5,84	69,5	2107	16778	4794
800	22,13	5,52	63,3	2154	17288	4939
800	24,00	5,09	58,3	2219	17830	5094
800	26,05	4,69	53,8	2280	18000	5254
900	27,29	5,04	51,3	2228	18000	5253
900	28,67	4,79	48,8	2264	18000	5354
900	29,60	4,64	47,3	2287	18000	5419
1000	31,78	4,81	44,1	2262	18000	5474
1000	34,91	4,37	40,1	2327	18000	5676
1000	35,50	4,30	39,4	2338	18000	5713
1000	40,05	3,81	35,0	2412	18000	5983
1000	43,05	3,55	32,5	2452	18000	6150
1000	50,25	3,04	27,9	2529	18000	6521
1000	54,27	2,81	25,8	2563	18000	6712
1000	61,98	2,46	22,6	2616	18000	7055

DXS403

Mn ₂ [Nm]	i	Pn ₁ [kW]	n ₂ [rpm]	Fr1 [N]	Fr2 D [N]	Fr2 C-L [N]
1000	67,52	2,31	20,7	2646	18000	7200
1000	74,18	2,10	18,9	2677	18000	7200
1000	81,71	1,91	17,1	2705	18000	7200
1000	91,49	1,70	15,3	2735	18000	7200
1000	100,62	1,55	13,9	2758	18000	7200
1000	117,17	1,33	11,9	2791	18000	7200
1000	128,73	1,21	10,9	2808	18000	7200
1000	136,34	1,14	10,3	2818	18000	7200
1000	158,76	0,98	8,8	2842	18000	7200
1000	184,88	0,84	7,6	2863	18000	7200
1000	203,11	0,77	6,9	2874	18000	7200
1000	205,34	0,76	6,8	2875	18000	7200
1000	226,04	0,69	6,2	2885	18000	7200
1000	250,50	0,62	5,6	2895	18000	7200
1000	266,13	0,59	5,3	2901	18000	7200
1000	292,36	0,53	4,8	2908	18000	7200
1000	315,73	0,49	4,4	2914	18000	7200
1000	360,58	0,43	3,9	2923	18000	7200

DXS502

Mn ₂ [Nm]	i	Pn ₁ [kW]	n ₂ [rpm]	Fr1 [N]	Fr2 D [N]	Fr2 C-L [N]
850	8,06	16,10	173,6	647	15163	4332
900	8,85	15,54	158,3	729	15574	4450
950	10,88	13,33	128,6	1050	16712	4775
1000	12,75	11,98	109,8	1247	17610	5032
1200	13,99	13,10	100,1	1084	17719	5063
1250	15,43	12,37	90,7	1189	18274	5221
1300	17,21	11,53	81,3	1311	18935	5410
1400	19,00	11,25	73,7	1352	19415	5547
1400	20,83	10,26	67,2	1496	20125	5750
1400	22,13	9,66	63,3	1583	20603	5886
1500	24,28	9,44	57,7	1616	21097	6028
1500	26,33	8,70	53,2	1724	21777	6222
1500	29,87	7,67	46,9	1873	22000	6533
1500	32,40	7,07	43,2	1961	22000	6741
1400	34,91	6,12	40,1	2098	22000	7011
1500	38,30	5,98	36,5	2119	22000	7187
1400	42,53	5,03	32,9	2258	22000	7553
1300	44,00	4,51	31,8	2333	22000	7724
1600	47,13	5,18	29,7	2235	22000	7701
1400	50,25	4,25	27,9	2370	22000	8039

DXS502

Mn_2 [Nm]	i	Pn_1 [kW]	n_2 [rpm]	Fr1 [N]	Fr2 D [N]	Fr2 C-L [N]
1300	55,14	3,60	25,4	2465	22000	8396
1600	59,40	4,11	23,6	2391	22000	8406
1600	67,84	3,60	20,6	2465	22000	8836

DXS503

Mn_2 [Nm]	i	Pn_1 [kW]	n_2 [rpm]	Fr1 [N]	Fr2 D [N]	Fr2 C-L [N]
1600	74,18	3,36	18,9	2510	22000	9000
1600	81,39	3,07	17,2	2552	22000	9000
1600	89,77	2,78	15,6	2593	22000	9000
1600	100,15	2,49	14,0	2634	22000	9000
1600	110,55	2,26	12,7	2667	22000	9000
1600	121,29	2,06	11,5	2696	22000	9000
1600	128,73	1,94	10,9	2713	22000	9000
1600	141,24	1,77	9,9	2737	22000	9000
1600	173,78	1,44	8,1	2784	22000	9000
1600	188,51	1,32	7,4	2800	22000	9000
1600	203,11	1,23	6,9	2814	22000	9000
1600	222,85	1,12	6,3	2829	22000	9000
1600	224,76	1,11	6,2	2831	22000	9000
1600	274,20	0,91	5,1	2859	22000	9000
1600	280,89	0,89	5,0	2862	22000	9000
1600	292,36	0,85	4,8	2867	22000	9000
1600	320,79	0,78	4,4	2878	22000	9000
1600	345,60	0,72	4,0	2886	22000	9000
1600	394,69	0,63	3,5	2899	22000	9000

DXS602

Mn_2 [Nm]	i	Pn_1 [kW]	n_2 [rpm]	Fr1 [N]	Fr2 D [N]	Fr2 C-L [N]
1500	8,48	27,00	165,1	2951	19587	5596
1700	9,30	27,92	150,6	2916	19606	5602
1700	10,24	25,36	136,7	3013	20448	5842
1900	11,42	25,41	122,6	3010	20674	5907
2200	12,63	26,61	110,9	2966	20480	5851
2400	13,84	26,48	101,2	2970	20608	5888
2600	16,99	23,36	82,4	3087	21932	6266
2800	21,25	20,12	65,9	3209	23608	6745
2800	22,37	19,12	62,6	3247	24191	6912
2900	23,29	19,01	60,1	3251	24280	6937
3000	26,15	17,52	53,5	3307	25277	7222

DXS602

Mn_2 [Nm]	i	Pn_1 [kW]	n_2 [rpm]	Fr_1 [N]	Fr_2 D [N]	Fr_2 C-L [N]
3000	28,60	16,02	49,0	3364	26374	7535
3000	30,51	15,01	45,9	3401	27189	7768
3000	32,76	13,99	42,7	3440	28102	8029
3000	33,44	13,70	41,9	3451	28374	8107
3000	35,20	13,01	39,8	3476	29050	8300
3000	41,07	11,16	34,1	3546	30000	8903
3000	43,60	10,51	32,1	3571	30000	9145
2400	44,63	8,21	31,4	3657	30000	9890
2400	49,04	7,47	28,6	3685	30000	10285
2600	53,75	7,39	26,1	3688	30000	10464
3000	66,00	6,94	21,2	3705	30000	10962

DXS603

Mn_2 [Nm]	i	Pn_1 [kW]	n_2 [rpm]	Fr_1 [N]	Fr_2 D [N]	Fr_2 C-L [N]
2700	64,84	6,49	21,6	3727	30000	11200
2700	71,07	5,92	19,7	3748	30000	11200
3000	78,46	5,96	17,8	3746	30000	11200
3000	87,27	5,36	16,0	3768	30000	11200
3000	105,91	4,42	13,2	3803	30000	11200
3000	112,52	4,16	12,4	3813	30000	11200
3000	123,33	3,79	11,3	3826	30000	11200
3000	130,04	3,60	10,8	3833	30000	11200
3000	133,78	3,50	10,5	3837	30000	11200
3000	151,43	3,09	9,2	3852	30000	11200
3000	177,53	2,64	7,9	3869	30000	11200
3000	194,59	2,40	7,2	3877	30000	11200
3000	215,60	2,17	6,5	3886	30000	11200
3000	238,93	1,96	5,9	3894	30000	11200

DXS302

Mn_2 [Nm]	i	Pn_1 [kW]	n_2 [rpm]	Fr_1 [N]	Fr_2 D [N]	Fr_2 C-L [N]
174	8,63	2,51	132,2	700	3657	3657
195	11,14	2,17	102,3	795	3949	3949
205	12,00	2,12	95,0	809	4016	4016
215	13,66	1,96	83,5	855	4183	4183
246	15,27	2,00	74,6	843	4209	4209
246	16,29	1,88	70,0	878	4330	4330
246	18,63	1,64	61,2	945	4591	4591
246	19,73	1,55	57,8	971	4706	4706
267	21,04	1,58	54,2	964	4718	4718
267	21,53	1,54	53,0	974	4766	4766
267	24,07	1,38	47,4	1019	5003	5003
297	25,20	1,47	45,2	994	4924	4924
297	25,79	1,43	44,2	1003	4975	4975
297	27,81	1,33	41,0	1033	5144	5144
297	30,00	1,23	38,0	1060	5318	5318
308	32,55	1,17	35,0	1076	5451	5451
308	33,00	1,16	34,5	1081	5484	5484
308	34,09	1,12	33,4	1091	5562	5562
338	36,55	1,15	31,2	1083	5554	5554
338	38,75	1,09	29,4	1101	5701	5701
359	39,90	1,12	28,6	1092	5656	5656
359	42,63	1,05	26,7	1112	5827	5827
359	46,00	0,97	24,8	1134	6000	6000
359	47,20	0,95	24,1	1141	6000	6000
359	52,25	0,85	21,8	1166	6000	6000
359	57,86	0,77	19,7	1190	6000	6000
359	59,42	0,75	19,2	1195	6000	6000
359	72,83	0,61	15,7	1234	6000	6000

DXS303

Mn_2 [Nm]	i	Pn_1 [kW]	n_2 [rpm]	Fr_1 [N]	Fr_2 D [N]	Fr_2 C-L [N]
359	36,50	1,25	31,2	1063	5432	5432
359	47,14	0,97	24,2	1140	6000	6000
359	57,79	0,79	19,7	1189	6000	6000
359	63,74	0,71	17,9	1210	6000	6000
359	74,20	0,61	15,4	1237	6000	6000
359	78,14	0,58	14,6	1246	6000	6000
359	95,84	0,48	11,9	1276	6000	6000
359	117,48	0,39	9,7	1300	6000	6000
359	137,45	0,33	8,3	1315	6000	6000
359	177,55	0,26	6,4	1336	6000	6000

DXS303

Mn_2 [Nm]	i	Pn_1 [kW]	n_2 [rpm]	Fr_1 [N]	Fr_2 D [N]	Fr_2 C-L [N]
359	198,45	0,23	5,7	1343	6000	6000
359	217,64	0,21	5,2	1349	6000	6000
359	256,33	0,18	4,5	1357	6000	6000
359	314,21	0,14	3,6	1367	6000	6000

DXS352

Mn_2 [Nm]	i	Pn_1 [kW]	n_2 [rpm]	Fr_1 [N]	Fr_2 D [N]	Fr_2 C-L [N]
338	8,00	5,26	142,5	323	5686	2275
338	8,92	4,71	127,8	435	5973	2389
369	9,55	4,81	119,4	416	5962	2385
369	10,65	4,31	107,1	519	6266	2506
400	11,71	4,25	97,4	532	6346	2538
431	13,06	4,10	87,3	562	6476	2590
431	13,36	4,01	85,3	581	6545	2618
461	15,94	3,60	71,5	666	6907	2763
461	16,16	3,55	70,5	676	6952	2781
461	19,29	2,97	59,1	795	7545	3018
472	19,55	3,00	58,3	790	7527	3011
482	23,18	2,58	49,2	875	8070	3228
482	23,75	2,52	48,0	888	8160	3264
492	25,14	2,43	45,3	906	8308	3323
492	27,66	2,21	41,2	952	8673	3469
513	30,00	2,12	38,0	970	8864	3545
554	33,93	2,03	33,6	990	9105	3642
615	36,57	2,09	31,2	977	9032	3613
615	39,38	1,94	28,9	1008	9351	3740
615	43,64	1,75	26,1	1047	9808	3923
615	46,10	1,66	24,7	1066	10000	4000
615	48,30	1,58	23,6	1082	10000	4000
615	53,53	1,43	21,3	1114	10000	4000
615	55,00	1,39	20,7	1122	10000	4000
615	67,47	1,13	16,9	1175	10000	4000

DXS353

Mn_2 [Nm]	i	Pn_1 [kW]	n_2 [rpm]	Fr_1 [N]	Fr_2 D [N]	Fr_2 C-L [N]
615	33,57	2,33	34,0	939	8672	3469
615	37,77	2,07	30,2	991	9171	3668
615	40,05	1,95	28,5	1015	9426	3770
615	49,13	1,59	23,2	1088	10000	4000

DXS353

Mn_2 [Nm]	i	Pn_1 [kW]	n_2 [rpm]	Fr_1 [N]	Fr_2 D [N]	Fr_2 C-L [N]
615	55,29	1,41	20,6	1123	10000	4000
615	58,72	1,33	19,4	1140	10000	4000
615	65,85	1,19	17,3	1169	10000	4000
615	68,25	1,14	16,7	1178	10000	4000
615	73,63	1,06	15,5	1194	10000	4000
615	81,43	0,96	14,0	1215	10000	4000
615	99,89	0,78	11,4	1251	10000	4000
615	126,43	0,62	9,0	1284	10000	4000
615	150,85	0,52	7,6	1304	10000	4000
615	182,53	0,43	6,2	1322	10000	4000
615	185,05	0,42	6,2	1324	10000	4000
615	217,79	0,36	5,2	1336	10000	4000
615	267,16	0,29	4,3	1350	10000	4000

DXS402

Mn_2 [Nm]	i	Pn_1 [kW]	n_2 [rpm]	Fr_1 [N]	Fr_2 D [N]	Fr_2 C-L [N]
564	7,34	9,55	155,3	1218	12956	3702
615	8,06	9,48	141,4	1230	13254	3787
666	9,94	8,33	114,6	1444	14180	4052
718	11,61	7,69	98,2	1563	14869	4248
769	12,75	7,50	89,4	1599	15243	4355
779	14,04	6,90	81,2	1710	15785	4510
789	15,43	6,36	73,9	1809	16330	4666
789	15,73	6,24	72,5	1831	16449	4700
789	17,29	5,67	65,9	1936	17056	4873
789	19,03	5,16	59,9	2032	17686	5053
789	20,14	4,87	56,6	2085	18000	5163
820	22,13	4,61	51,5	2134	18000	5320
820	24,00	4,25	47,5	2200	18000	5485
820	26,05	3,91	43,8	2262	18000	5657
923	27,29	4,20	41,8	2209	18000	5660
923	28,67	4,00	39,8	2246	18000	5767
923	29,60	3,88	38,5	2269	18000	5837
1025	31,78	4,01	35,9	2244	18000	5900
1025	34,91	3,65	32,7	2311	18000	6116
1025	35,50	3,59	32,1	2322	18000	6156
1025	40,05	3,18	28,5	2398	18000	6445
1025	43,05	2,96	26,5	2439	18000	6624
1025	50,25	2,54	22,7	2517	18000	7020
1025	54,27	2,35	21,0	2552	18000	7200
1025	61,98	2,06	18,4	2606	18000	7200

DXS403

Mn_2 [Nm]	i	Pn_1 [kW]	n_2 [rpm]	Fr_1 [N]	Fr_2 D [N]	Fr_2 C-L [N]
1025	67,52	1,93	16,9	2638	18000	7200
1025	74,18	1,75	15,4	2669	18000	7200
1025	81,71	1,59	13,9	2698	18000	7200
1025	91,49	1,42	12,5	2729	18000	7200
1025	100,62	1,29	11,3	2753	18000	7200
1025	117,17	1,11	9,7	2786	18000	7200
1025	128,73	1,01	8,9	2804	18000	7200
1025	136,34	0,95	8,4	2814	18000	7200
1025	158,76	0,82	7,2	2838	18000	7200
1025	184,88	0,70	6,2	2859	18000	7200
1025	203,11	0,64	5,6	2871	18000	7200
1025	205,34	0,63	5,5	2872	18000	7200
1025	226,04	0,58	5,0	2883	18000	7200
1025	250,50	0,52	4,5	2893	18000	7200
1025	266,13	0,49	4,3	2898	18000	7200
1025	292,36	0,45	3,9	2906	18000	7200
1025	315,73	0,41	3,6	2912	18000	7200
1025	360,58	0,36	3,2	2922	18000	7200

DXS502

Mn_2 [Nm]	i	Pn_1 [kW]	n_2 [rpm]	Fr_1 [N]	Fr_2 D [N]	Fr_2 C-L [N]
871	8,06	13,44	141,4	589	16327	4665
923	8,85	12,97	128,9	673	16772	4792
974	10,88	11,12	104,7	1002	17996	5142
1025	12,75	10,00	89,4	1203	18963	5418
1230	13,99	10,93	81,5	1036	19103	5458
1281	15,43	10,33	73,9	1144	19702	5629
1333	17,21	9,63	66,2	1269	20416	5833
1435	19,00	9,39	60,0	1311	20941	5983
1435	20,83	8,57	54,7	1459	21700	6200
1435	22,13	8,06	51,5	1548	22000	6346
1538	24,28	7,88	47,0	1582	22000	6501
1538	26,33	7,26	43,3	1692	22000	6709
1538	29,87	6,40	38,2	1845	22000	7042
1538	32,40	5,90	35,2	1935	22000	7264
1435	34,91	5,11	32,7	2076	22000	7550
1538	38,30	4,99	29,8	2097	22000	7742
1435	42,53	4,20	26,8	2239	22000	8129
1333	44,00	3,77	25,9	2316	22000	8309
1640	47,13	4,33	24,2	2216	22000	8295
1435	50,25	3,55	22,7	2355	22000	8650

DXS502

Mn_2 [Nm]	i	Pn_1 [kW]	n_2 [rpm]	Fr_1 [N]	Fr_2 D [N]	Fr_2 C-L [N]
1333	55,14	3,01	20,7	2452	22000	9000
1640	59,40	3,43	19,2	2376	22000	9000
1640	67,84	3,01	16,8	2452	22000	9000

DXS503

Mn_2 [Nm]	i	Pn_1 [kW]	n_2 [rpm]	Fr_1 [N]	Fr_2 D [N]	Fr_2 C-L [N]
1640	74,18	2,81	15,4	2498	22000	9000
1640	81,39	2,56	14,0	2541	22000	9000
1640	89,77	2,32	12,7	2583	22000	9000
1640	100,15	2,08	11,4	2625	22000	9000
1640	110,55	1,88	10,3	2659	22000	9000
1640	121,29	1,72	9,4	2689	22000	9000
1640	128,73	1,62	8,9	2706	22000	9000
1640	141,24	1,47	8,1	2731	22000	9000
1640	173,78	1,20	6,6	2779	22000	9000
1640	188,51	1,10	6,0	2796	22000	9000
1640	203,11	1,03	5,6	2810	22000	9000
1640	222,85	0,93	5,1	2825	22000	9000
1640	224,76	0,93	5,1	2827	22000	9000
1640	274,20	0,76	4,2	2856	22000	9000
1640	280,89	0,74	4,1	2859	22000	9000
1640	292,36	0,71	3,9	2864	22000	9000
1640	320,79	0,65	3,5	2875	22000	9000
1640	345,60	0,60	3,3	2883	22000	9000
1640	394,69	0,53	2,9	2897	22000	9000

DXS602

Mn_2 [Nm]	i	Pn_1 [kW]	n_2 [rpm]	Fr_1 [N]	Fr_2 D [N]	Fr_2 C-L [N]
1538	8,48	22,54	134,4	2925	21217	6062
1743	9,30	23,30	122,6	2890	21272	6078
1743	10,24	21,16	111,3	2989	22173	6335
1948	11,42	21,21	99,9	2987	22449	6414
2255	12,63	22,21	90,3	2941	22293	6369
2460	13,84	22,10	82,4	2945	22464	6418
2665	16,99	19,50	67,1	3066	23915	6833
2870	21,25	16,79	53,6	3190	25743	7355
2870	22,37	15,96	51,0	3229	26367	7533
2973	23,29	15,87	48,9	3233	26480	7566
3075	26,15	14,62	43,6	3291	27563	7875

DXS602

Mn_2 [Nm]	i	Pn_1 [kW]	n_2 [rpm]	Fr_1 [N]	Fr_2 D [N]	Fr_2 C-L [N]
3075	28,60	13,37	39,9	3349	28737	8211
3075	30,51	12,53	37,4	3387	29609	8460
3075	32,76	11,67	34,8	3427	30000	8739
3075	33,44	11,43	34,1	3438	30000	8822
3075	35,20	10,86	32,4	3464	30000	9029
3075	41,07	9,31	27,8	3536	30000	9674
3075	43,60	8,77	26,1	3561	30000	9933
2460	44,63	6,85	25,5	3649	30000	10701
2460	49,04	6,24	23,2	3678	30000	11123
2665	53,75	6,17	21,2	3681	30000	11200
3075	66,00	5,79	17,3	3698	30000	11200

DXS603

Mn_2 [Nm]	i	Pn_1 [kW]	n_2 [rpm]	Fr_1 [N]	Fr_2 D [N]	Fr_2 C-L [N]
2768	64,84	5,42	17,6	3721	30000	11200
2768	71,07	4,95	16,0	3742	30000	11200
3075	78,46	4,98	14,5	3741	30000	11200
3075	87,27	4,47	13,1	3763	30000	11200
3075	105,91	3,69	10,8	3799	30000	11200
3075	112,52	3,47	10,1	3809	30000	11200
3075	123,33	3,17	9,2	3822	30000	11200
3075	130,04	3,00	8,8	3830	30000	11200
3075	133,78	2,92	8,5	3834	30000	11200
3075	151,43	2,58	7,5	3849	30000	11200
3075	177,53	2,20	6,4	3866	30000	11200
3075	194,59	2,01	5,9	3875	30000	11200
3075	215,60	1,81	5,3	3884	30000	11200
3075	238,93	1,63	4,8	3892	30000	11200

DXS302

Mn_2 [Nm]	i	Pn_1 [kW]	n_2 [rpm]	Fr_1 [N]	Fr_2 D [N]	Fr_2 C-L [N]
179	8,63	2,01	104,3	683	4011	4011
200	11,14	1,74	80,8	781	4334	4334
210	12,00	1,70	75,0	795	4409	4409
221	13,66	1,57	65,9	842	4593	4593
252	15,27	1,60	58,9	830	4631	4631
252	16,29	1,50	55,3	866	4762	4762
252	18,63	1,31	48,3	934	5045	5045
252	19,73	1,24	45,6	960	5169	5169
273	21,04	1,26	42,8	953	5189	5189
273	21,53	1,23	41,8	963	5241	5241
273	24,07	1,10	37,4	1010	5496	5496
305	25,20	1,17	35,7	984	5422	5422
305	25,79	1,15	34,9	994	5476	5476
305	27,81	1,06	32,4	1024	5659	5659
305	30,00	0,99	30,0	1052	5848	5848
315	32,55	0,94	27,6	1068	5994	5994
315	33,00	0,93	27,3	1073	6000	6000
315	34,09	0,90	26,4	1083	6000	6000
347	36,55	0,92	24,6	1075	6000	6000
347	38,75	0,87	23,2	1094	6000	6000
368	39,90	0,90	22,6	1084	6000	6000
368	42,63	0,84	21,1	1105	6000	6000
368	46,00	0,78	19,6	1127	6000	6000
368	47,20	0,76	19,1	1134	6000	6000
368	52,25	0,68	17,2	1161	6000	6000
368	57,86	0,62	15,6	1184	6000	6000
368	59,42	0,60	15,2	1190	6000	6000
368	72,83	0,49	12,4	1230	6000	6000

DXS303

Mn_2 [Nm]	i	Pn_1 [kW]	n_2 [rpm]	Fr_1 [N]	Fr_2 D [N]	Fr_2 C-L [N]
368	36,50	1,00	24,7	1054	5991	5991
368	47,14	0,77	19,1	1134	6000	6000
368	57,79	0,63	15,6	1184	6000	6000
368	63,74	0,57	14,1	1205	6000	6000
368	74,20	0,49	12,1	1233	6000	6000
368	78,14	0,47	11,5	1242	6000	6000
368	95,84	0,38	9,4	1272	6000	6000
368	117,48	0,31	7,7	1297	6000	6000
368	137,45	0,27	6,5	1313	6000	6000
368	177,55	0,21	5,1	1334	6000	6000

DXS303

Mn_2 [Nm]	i	Pn_1 [kW]	n_2 [rpm]	Fr_1 [N]	Fr_2 D [N]	Fr_2 C-L [N]
368	198,45	0,18	4,5	1342	6000	6000
368	217,64	0,17	4,1	1347	6000	6000
368	256,33	0,14	3,5	1356	6000	6000
368	314,21	0,12	2,9	1366	6000	6000

DXS352

Mn_2 [Nm]	i	Pn_1 [kW]	n_2 [rpm]	Fr_1 [N]	Fr_2 D [N]	Fr_2 C-L [N]
347	8,00	4,21	112,5	297	6269	2508
347	8,92	3,77	100,9	412	6580	2632
378	9,55	3,85	94,3	392	6578	2631
378	10,65	3,45	84,5	497	6907	2763
410	11,71	3,40	76,9	511	7004	2802
441	13,06	3,28	68,9	542	7156	2862
441	13,36	3,21	67,4	561	7231	2892
473	15,94	2,88	56,5	648	7633	3053
473	16,16	2,84	55,7	658	7682	3073
473	19,29	2,38	46,7	780	8323	3329
483	19,55	2,40	46,0	775	8308	3323
494	23,18	2,07	38,8	862	8898	3559
494	23,75	2,02	37,9	875	8995	3598
504	25,14	1,95	35,8	894	9159	3663
504	27,66	1,77	32,5	941	9553	3821
525	30,00	1,70	30,0	960	9767	3907
567	33,93	1,62	26,5	980	10000	4000
630	36,57	1,67	24,6	967	9986	3994
630	39,38	1,56	22,9	998	10000	4000
630	43,64	1,40	20,6	1038	10000	4000
630	46,10	1,33	19,5	1058	10000	4000
630	48,30	1,27	18,6	1074	10000	4000
630	53,53	1,14	16,8	1107	10000	4000
630	55,00	1,11	16,4	1115	10000	4000
630	67,47	0,91	13,3	1169	10000	4000

DXS353

Mn_2 [Nm]	i	Pn_1 [kW]	n_2 [rpm]	Fr_1 [N]	Fr_2 D [N]	Fr_2 C-L [N]
630	33,57	1,86	26,8	927	9596	3839
630	37,77	1,66	23,8	981	10000	4000
630	40,05	1,56	22,5	1005	10000	4000
630	49,13	1,27	18,3	1080	10000	4000

DXS353

Mn_2 [Nm]	i	Pn_1 [kW]	n_2 [rpm]	Fr_1 [N]	Fr_2 D [N]	Fr_2 C-L [N]
630	55,29	1,13	16,3	1116	10000	4000
630	58,72	1,07	15,3	1133	10000	4000
630	65,85	0,95	13,7	1163	10000	4000
630	68,25	0,92	13,2	1172	10000	4000
630	73,63	0,85	12,2	1189	10000	4000
630	81,43	0,77	11,1	1210	10000	4000
630	99,89	0,63	9,0	1247	10000	4000
630	126,43	0,49	7,1	1281	10000	4000
630	150,85	0,41	6,0	1302	10000	4000
630	182,53	0,34	4,9	1320	10000	4000
630	185,05	0,34	4,9	1321	10000	4000
630	217,79	0,29	4,1	1335	10000	4000
630	267,16	0,23	3,4	1348	10000	4000

DXS402

Mn_2 [Nm]	i	Pn_1 [kW]	n_2 [rpm]	Fr_1 [N]	Fr_2 D [N]	Fr_2 C-L [N]
578	7,34	7,65	122,6	1175	14112	4032
630	8,06	7,59	111,6	1188	14444	4127
683	9,94	6,67	90,5	1406	15455	4416
735	11,61	6,16	77,5	1529	16209	4631
788	12,75	6,00	70,6	1565	16623	4749
798	14,04	5,52	64,1	1678	17211	4917
809	15,43	5,09	58,3	1780	17802	5086
809	15,73	5,00	57,2	1803	17931	5123
809	17,29	4,54	52,0	1910	18000	5311
809	19,03	4,13	47,3	2009	18000	5505
809	20,14	3,90	44,7	2063	18000	5623
840	22,13	3,69	40,7	2113	18000	5795
840	24,00	3,40	37,5	2181	18000	5974
840	26,05	3,13	34,5	2244	18000	6159
945	27,29	3,37	33,0	2190	18000	6168
945	28,67	3,20	31,4	2228	18000	6285
945	29,60	3,10	30,4	2252	18000	6360
1050	31,78	3,21	28,3	2226	18000	6433
1050	34,91	2,92	25,8	2294	18000	6667
1050	35,50	2,87	25,4	2306	18000	6710
1050	40,05	2,55	22,5	2383	18000	7022
1050	43,05	2,37	20,9	2425	18000	7200
1050	50,25	2,03	17,9	2506	18000	7200
1050	54,27	1,88	16,6	2542	18000	7200
1050	61,98	1,65	14,5	2597	18000	7200

DXS403

Mn_2 [Nm]	i	Pn_1 [kW]	n2 [rpm]	Fr1 [N]	Fr2 D [N]	Fr2 C-L [N]
1050	67,52	1,54	13,3	2629	18000	7200
1050	74,18	1,41	12,1	2661	18000	7200
1050	81,71	1,28	11,0	2691	18000	7200
1050	91,49	1,14	9,8	2723	18000	7200
1050	100,62	1,04	8,9	2747	18000	7200
1050	117,17	0,89	7,7	2781	18000	7200
1050	128,73	0,81	7,0	2799	18000	7200
1050	136,34	0,76	6,6	2810	18000	7200
1050	158,76	0,66	5,7	2835	18000	7200
1050	184,88	0,56	4,9	2856	18000	7200
1050	203,11	0,51	4,4	2868	18000	7200
1050	205,34	0,51	4,4	2869	18000	7200
1050	226,04	0,46	4,0	2880	18000	7200
1050	250,50	0,42	3,6	2891	18000	7200
1050	266,13	0,39	3,4	2896	18000	7200
1050	292,36	0,36	3,1	2904	18000	7200
1050	315,73	0,33	2,9	2911	18000	7200
1050	360,58	0,29	2,5	2920	18000	7200

DXS502

Mn_2 [Nm]	i	Pn_1 [kW]	n2 [rpm]	Fr1 [N]	Fr2 D [N]	Fr2 C-L [N]
893	8,06	10,76	111,6	530	17780	5080
945	8,85	10,38	101,7	616	18268	5220
998	10,88	8,91	82,7	953	19599	5600
1050	12,75	8,00	70,6	1160	20652	5901
1260	13,99	8,75	64,3	988	20834	5953
1313	15,43	8,27	58,3	1099	21489	6140
1365	17,21	7,71	52,3	1227	22000	6362
1470	19,00	7,52	47,4	1270	22000	6529
1470	20,83	6,86	43,2	1421	22000	6763
1470	22,13	6,46	40,7	1513	22000	6922
1575	24,28	6,31	37,1	1548	22000	7093
1575	26,33	5,81	34,2	1660	22000	7318
1575	29,87	5,13	30,1	1818	22000	7678
1575	32,40	4,72	27,8	1909	22000	7918
1470	34,91	4,09	25,8	2054	22000	8223
1575	38,30	4,00	23,5	2076	22000	8434
1470	42,53	3,36	21,2	2221	22000	8849
1365	44,00	3,02	20,4	2300	22000	9000
1680	47,13	3,46	19,1	2197	22000	9000
1470	50,25	2,84	17,9	2339	22000	9000

DXS502

Mn_2 [Nm]	i	Pn_1 [kW]	n_2 [rpm]	Fr1 [N]	Fr2 D [N]	Fr2 C-L [N]
1365	55,14	2,41	16,3	2439	22000	9000
1680	59,40	2,75	15,2	2361	22000	9000
1680	67,84	2,41	13,3	2439	22000	9000

DXS503

Mn_2 [Nm]	i	Pn_1 [kW]	n_2 [rpm]	Fr1 [N]	Fr2 D [N]	Fr2 C-L [N]
1680	74,18	2,25	12,1	2486	22000	9000
1680	81,39	2,05	11,1	2530	22000	9000
1680	89,77	1,86	10,0	2573	22000	9000
1680	100,15	1,67	9,0	2616	22000	9000
1680	110,55	1,51	8,1	2651	22000	9000
1680	121,29	1,37	7,4	2681	22000	9000
1680	128,73	1,30	7,0	2699	22000	9000
1680	141,24	1,18	6,4	2725	22000	9000
1680	173,78	0,96	5,2	2774	22000	9000
1680	188,51	0,88	4,8	2791	22000	9000
1680	203,11	0,82	4,4	2805	22000	9000
1680	222,85	0,75	4,0	2821	22000	9000
1680	224,76	0,74	4,0	2823	22000	9000
1680	274,20	0,61	3,3	2853	22000	9000
1680	280,89	0,59	3,2	2856	22000	9000
1680	292,36	0,57	3,1	2861	22000	9000
1680	320,79	0,52	2,8	2873	22000	9000
1680	345,60	0,48	2,6	2881	22000	9000
1680	394,69	0,42	2,3	2894	22000	9000

DXS602

Mn_2 [Nm]	i	Pn_1 [kW]	n_2 [rpm]	Fr1 [N]	Fr2 D [N]	Fr2 C-L [N]
1575	8,48	18,05	106,1	2900	23269	6648
1785	9,30	18,66	96,8	2864	23372	6678
1785	10,24	16,95	87,9	2965	24346	6956
1995	11,42	16,99	78,8	2963	24689	7054
2310	12,63	17,78	71,3	2916	24586	7025
2520	13,84	17,70	65,0	2921	24815	7090
2730	16,99	15,61	53,0	3044	26428	7551
2940	21,25	13,45	42,4	3172	28448	8128
2940	22,37	12,78	40,2	3211	29123	8321
3045	23,29	12,71	38,6	3215	29267	8362
3150	26,15	11,71	34,4	3274	30000	8703

DXS602

Mn_2 [Nm]	i	Pn_1 [kW]	n_2 [rpm]	Fr_1 [N]	Fr_2 D [N]	Fr_2 C-L [N]
3150	28,60	10,71	31,5	3333	30000	9066
3150	30,51	10,03	29,5	3373	30000	9335
3150	32,76	9,35	27,5	3414	30000	9637
3150	33,44	9,15	26,9	3425	30000	9727
3150	35,20	8,70	25,6	3452	30000	9950
3150	41,07	7,46	21,9	3525	30000	10647
3150	43,60	7,02	20,6	3551	30000	10928
2520	44,63	5,49	20,2	3642	30000	11200
2520	49,04	4,99	18,4	3671	30000	11200
2730	53,75	4,94	16,7	3674	30000	11200
3150	66,00	4,64	13,6	3692	30000	11200

DXS603

Mn_2 [Nm]	i	Pn_1 [kW]	n_2 [rpm]	Fr_1 [N]	Fr_2 D [N]	Fr_2 C-L [N]
2835	64,84	4,34	13,9	3715	30000	11200
2835	71,07	3,96	12,7	3737	30000	11200
3150	78,46	3,99	11,5	3735	30000	11200
3150	87,27	3,58	10,3	3758	30000	11200
3150	105,91	2,95	8,5	3795	30000	11200
3150	112,52	2,78	8,0	3805	30000	11200
3150	123,33	2,54	7,3	3819	30000	11200
3150	130,04	2,40	6,9	3827	30000	11200
3150	133,78	2,34	6,7	3830	30000	11200
3150	151,43	2,06	5,9	3846	30000	11200
3150	177,53	1,76	5,1	3864	30000	11200
3150	194,59	1,61	4,6	3873	30000	11200
3150	215,60	1,45	4,2	3882	30000	11200
3150	238,93	1,31	3,8	3890	30000	11200

DXS302

Mn_2 [Nm]	i	Pn_1 [kW]	n_2 [rpm]	Fr_1 [N]	Fr_2 D [N]	Fr_2 C-L [N]
181	8,63	1,58	81,2	674	4435	4435
202	11,14	1,36	62,8	773	4795	4795
213	12,00	1,33	58,3	787	4881	4881
223	13,66	1,23	51,3	835	5086	5086
255	15,27	1,26	45,8	823	5141	5141
255	16,29	1,18	43,0	859	5283	5283
255	18,63	1,03	37,6	928	5590	5590
255	19,73	0,97	35,5	955	5725	5725
276	21,04	0,99	33,3	947	5756	5756
276	21,53	0,97	32,5	958	5812	5812
276	24,07	0,86	29,1	1005	6000	6000
308	25,20	0,92	27,8	979	6000	6000
308	25,79	0,90	27,1	989	6000	6000
308	27,81	0,83	25,2	1019	6000	6000
308	30,00	0,77	23,3	1047	6000	6000
319	32,55	0,74	21,5	1064	6000	6000
319	33,00	0,73	21,2	1069	6000	6000
319	34,09	0,70	20,5	1080	6000	6000
351	36,55	0,72	19,1	1071	6000	6000
351	38,75	0,68	18,1	1090	6000	6000
372	39,90	0,70	17,5	1081	6000	6000
372	42,63	0,66	16,4	1101	6000	6000
372	46,00	0,61	15,2	1124	6000	6000
372	47,20	0,59	14,8	1131	6000	6000
372	52,25	0,54	13,4	1158	6000	6000
372	57,86	0,48	12,1	1182	6000	6000
372	59,42	0,47	11,8	1188	6000	6000
372	72,83	0,38	9,6	1228	6000	6000

DXS303

Mn_2 [Nm]	i	Pn_1 [kW]	n_2 [rpm]	Fr_1 [N]	Fr_2 D [N]	Fr_2 C-L [N]
372	36,50	0,78	19,2	1050	6000	6000
372	47,14	0,61	14,8	1131	6000	6000
372	57,79	0,49	12,1	1181	6000	6000
372	63,74	0,45	11,0	1203	6000	6000
372	74,20	0,39	9,4	1231	6000	6000
372	78,14	0,37	9,0	1240	6000	6000
372	95,84	0,30	7,3	1271	6000	6000
372	117,48	0,24	6,0	1296	6000	6000
372	137,45	0,21	5,1	1312	6000	6000
372	177,55	0,16	3,9	1333	6000	6000

DXS303

Mn_2 [Nm]	i	Pn_1 [kW]	n_2 [rpm]	Fr_1 [N]	Fr_2 D [N]	Fr_2 C-L [N]
372	198,45	0,14	3,5	1341	6000	6000
372	217,64	0,13	3,2	1347	6000	6000
372	256,33	0,11	2,7	1356	6000	6000
372	314,21	0,09	2,2	1365	6000	6000

DXS352

Mn_2 [Nm]	i	Pn_1 [kW]	n_2 [rpm]	Fr_1 [N]	Fr_2 D [N]	Fr_2 C-L [N]
351	8,00	3,30	87,5	284	6975	2790
351	8,92	2,96	78,5	400	7312	2925
383	9,55	3,01	73,3	380	7325	2930
383	10,65	2,70	65,8	486	7683	3073
414	11,71	2,66	59,8	500	7803	3121
446	13,06	2,57	53,6	531	7983	3193
446	13,36	2,51	52,4	551	8065	3226
478	15,94	2,26	43,9	639	8516	3407
478	16,16	2,23	43,3	649	8570	3428
478	19,29	1,86	36,3	772	9266	3706
489	19,55	1,88	35,8	767	9254	3702
499	23,18	1,62	30,2	856	9901	3960
499	23,75	1,58	29,5	869	10000	4000
510	25,14	1,53	27,8	888	10000	4000
510	27,66	1,39	25,3	935	10000	4000
531	30,00	1,33	23,3	954	10000	4000
574	33,93	1,27	20,6	975	10000	4000
638	36,57	1,31	19,1	961	10000	4000
638	39,38	1,22	17,8	993	10000	4000
638	43,64	1,10	16,0	1034	10000	4000
638	46,10	1,04	15,2	1054	10000	4000
638	48,30	0,99	14,5	1070	10000	4000
638	53,53	0,90	13,1	1103	10000	4000
638	55,00	0,87	12,7	1111	10000	4000
638	67,47	0,71	10,4	1166	10000	4000

DXS353

Mn_2 [Nm]	i	Pn_1 [kW]	n_2 [rpm]	Fr_1 [N]	Fr_2 D [N]	Fr_2 C-L [N]
638	33,57	1,46	20,9	921	10000	4000
638	37,77	1,30	18,5	976	10000	4000
638	40,05	1,22	17,5	1000	10000	4000
638	49,13	1,00	14,2	1076	10000	4000

DXS353

Mn_2 [Nm]	i	Pn_1 [kW]	n_2 [rpm]	Fr1 [N]	Fr2 D [N]	Fr2 C-L [N]
638	55,29	0,89	12,7	1113	10000	4000
638	58,72	0,83	11,9	1130	10000	4000
638	65,85	0,74	10,6	1160	10000	4000
638	68,25	0,72	10,3	1169	10000	4000
638	73,63	0,67	9,5	1187	10000	4000
638	81,43	0,60	8,6	1208	10000	4000
638	99,89	0,49	7,0	1245	10000	4000
638	126,43	0,39	5,5	1279	10000	4000
638	150,85	0,32	4,6	1300	10000	4000
638	182,53	0,27	3,8	1319	10000	4000
638	185,05	0,26	3,8	1320	10000	4000
638	217,79	0,22	3,2	1334	10000	4000
638	267,16	0,18	2,6	1348	10000	4000

DXS402

Mn_2 [Nm]	i	Pn_1 [kW]	n_2 [rpm]	Fr1 [N]	Fr2 D [N]	Fr2 C-L [N]
584	7,34	5,99	95,4	1153	15474	4421
638	8,06	5,95	86,8	1166	15847	4528
691	9,94	5,22	70,4	1388	16959	4845
744	11,61	4,82	60,3	1511	17790	5083
797	12,75	4,70	54,9	1548	18000	5215
808	14,04	4,33	49,8	1663	18000	5399
818	15,43	3,99	45,4	1766	18000	5583
818	15,73	3,91	44,5	1789	18000	5623
818	17,29	3,56	40,5	1898	18000	5826
818	19,03	3,23	36,8	1997	18000	6038
818	20,14	3,06	34,8	2052	18000	6166
850	22,13	2,89	31,6	2102	18000	6355
850	24,00	2,66	29,2	2171	18000	6550
850	26,05	2,45	26,9	2236	18000	6751
956	27,29	2,64	25,6	2180	18000	6768
956	28,67	2,51	24,4	2219	18000	6894
956	29,60	2,43	23,6	2243	18000	6976
1063	31,78	2,52	22,0	2217	18000	7063
1063	34,91	2,29	20,1	2286	18000	7200
1063	35,50	2,25	19,7	2298	18000	7200
1063	40,05	2,00	17,5	2376	18000	7200
1063	43,05	1,86	16,3	2419	18000	7200
1063	50,25	1,59	13,9	2500	18000	7200
1063	54,27	1,47	12,9	2536	18000	7200
1063	61,98	1,29	11,3	2592	18000	7200

DXS403

Mn_2 [Nm]	i	Pn_1 [kW]	n_2 [rpm]	Fr_1 [N]	Fr_2 D [N]	Fr_2 C-L [N]
1063	67,52	1,21	10,4	2625	18000	7200
1063	74,18	1,10	9,4	2657	18000	7200
1063	81,71	1,00	8,6	2688	18000	7200
1063	91,49	0,89	7,7	2720	18000	7200
1063	100,62	0,81	7,0	2744	18000	7200
1063	117,17	0,70	6,0	2778	18000	7200
1063	128,73	0,63	5,4	2797	18000	7200
1063	136,34	0,60	5,1	2808	18000	7200
1063	158,76	0,51	4,4	2833	18000	7200
1063	184,88	0,44	3,8	2855	18000	7200
1063	203,11	0,40	3,5	2867	18000	7200
1063	205,34	0,40	3,4	2868	18000	7200
1063	226,04	0,36	3,1	2879	18000	7200
1063	250,50	0,33	2,8	2889	18000	7200
1063	266,13	0,31	2,6	2895	18000	7200
1063	292,36	0,28	2,4	2903	18000	7200
1063	315,73	0,26	2,2	2910	18000	7200
1063	360,58	0,23	1,9	2919	18000	7200

DXS502

Mn_2 [Nm]	i	Pn_1 [kW]	n_2 [rpm]	Fr_1 [N]	Fr_2 D [N]	Fr_2 C-L [N]
903	8,06	8,43	86,8	501	19490	5569
956	8,85	8,13	79,1	588	20031	5723
1009	10,88	6,98	64,3	929	21487	6139
1063	12,75	6,27	54,9	1138	22000	6469
1275	13,99	6,86	50,0	964	22000	6537
1328	15,43	6,48	45,4	1077	22000	6743
1381	17,21	6,04	40,7	1206	22000	6988
1488	19,00	5,89	36,8	1250	22000	7175
1488	20,83	5,37	33,6	1403	22000	7430
1488	22,13	5,06	31,6	1495	22000	7601
1594	24,28	4,94	28,8	1531	22000	7793
1594	26,33	4,55	26,6	1645	22000	8037
1594	29,87	4,01	23,4	1804	22000	8429
1594	32,40	3,70	21,6	1896	22000	8690
1488	34,91	3,21	20,1	2042	22000	9000
1594	38,30	3,13	18,3	2065	22000	9000
1488	42,53	2,63	16,5	2212	22000	9000
1381	44,00	2,36	15,9	2292	22000	9000
1700	47,13	2,71	14,8	2188	22000	9000
1488	50,25	2,23	13,9	2331	22000	9000

DXS502

Mn_2 [Nm]	i	Pn_1 [kW]	n_2 [rpm]	Fr1 [N]	Fr2 D [N]	Fr2 C-L [N]
1381	55,14	1,88	12,7	2432	22000	9000
1700	59,40	2,15	11,8	2353	22000	9000
1700	67,84	1,89	10,3	2432	22000	9000

DXS503

Mn_2 [Nm]	i	Pn_1 [kW]	n_2 [rpm]	Fr1 [N]	Fr2 D [N]	Fr2 C-L [N]
1700	74,18	1,76	9,4	2480	22000	9000
1700	81,39	1,60	8,6	2525	22000	9000
1700	89,77	1,45	7,8	2568	22000	9000
1700	100,15	1,30	7,0	2612	22000	9000
1700	110,55	1,18	6,3	2647	22000	9000
1700	121,29	1,08	5,8	2678	22000	9000
1700	128,73	1,01	5,4	2696	22000	9000
1700	141,24	0,92	5,0	2722	22000	9000
1700	173,78	0,75	4,0	2772	22000	9000
1700	188,51	0,69	3,7	2789	22000	9000
1700	203,11	0,64	3,5	2803	22000	9000
1700	222,85	0,59	3,1	2819	22000	9000
1700	224,76	0,58	3,1	2821	22000	9000
1700	274,20	0,48	2,5	2851	22000	9000
1700	280,89	0,46	2,5	2854	22000	9000
1700	292,36	0,45	2,4	2860	22000	9000
1700	320,79	0,41	2,2	2871	22000	9000
1700	345,60	0,38	2,0	2880	22000	9000
1700	394,69	0,33	1,8	2893	22000	9000

DXS602

Mn_2 [Nm]	i	Pn_1 [kW]	n_2 [rpm]	Fr1 [N]	Fr2 D [N]	Fr2 C-L [N]
1594	8,48	14,13	82,5	2887	25726	7350
1806	9,30	14,61	75,3	2851	25898	7399
1806	10,24	13,27	68,4	2953	26956	7702
2019	11,42	13,30	61,3	2951	27388	7825
2338	12,63	13,93	55,4	2903	27364	7818
2550	13,84	13,86	50,6	2908	27673	7906
2763	16,99	12,23	41,2	3033	29485	8424
2975	21,25	10,53	32,9	3162	30000	9068
2975	22,37	10,01	31,3	3202	30000	9278
3081	23,29	9,95	30,1	3206	30000	9331
3188	26,15	9,17	26,8	3266	30000	9710

DXS602

Mn_2 [Nm]	i	Pn_1 [kW]	n_2 [rpm]	Fr_1 [N]	Fr_2 D [N]	Fr_2 C-L [N]
3188	28,60	8,38	24,5	3326	30000	10104
3188	30,51	7,86	22,9	3366	30000	10396
3188	32,76	7,32	21,4	3407	30000	10724
3188	33,44	7,17	20,9	3419	30000	10822
3188	35,20	6,81	19,9	3446	30000	11065
3188	41,07	5,84	17,1	3520	30000	11200
3188	43,60	5,50	16,1	3546	30000	11200
2550	44,63	4,30	15,7	3638	30000	11200
2550	49,04	3,91	14,3	3667	30000	11200
2763	53,75	3,87	13,0	3671	30000	11200
3188	66,00	3,63	10,6	3688	30000	11200

DXS603

Mn_2 [Nm]	i	Pn_1 [kW]	n_2 [rpm]	Fr_1 [N]	Fr_2 D [N]	Fr_2 C-L [N]
2869	64,84	3,40	10,8	3712	30000	11200
2869	71,07	3,10	9,8	3734	30000	11200
3188	78,46	3,12	8,9	3732	30000	11200
3188	87,27	2,81	8,0	3756	30000	11200
3188	105,91	2,31	6,6	3793	30000	11200
3188	112,52	2,18	6,2	3803	30000	11200
3188	123,33	1,99	5,7	3817	30000	11200
3188	130,04	1,88	5,4	3825	30000	11200
3188	133,78	1,83	5,2	3829	30000	11200
3188	151,43	1,62	4,6	3845	30000	11200
3188	177,53	1,38	3,9	3863	30000	11200
3188	194,59	1,26	3,6	3872	30000	11200
3188	215,60	1,14	3,2	3881	30000	11200
3188	238,93	1,02	2,9	3889	30000	11200

DXS302

Mn_2 [Nm]	i	Pn_1 [kW]	n_2 [rpm]	Fr_1 [N]	Fr_2 D [N]	Fr_2 C-L [N]
183	8,63	1,13	58,0	666	5067	5067
204	11,14	0,98	44,9	766	5482	5482
215	12,00	0,96	41,7	780	5585	5585
226	13,66	0,88	36,6	829	5820	5820
258	15,27	0,90	32,7	816	5901	5901
258	16,29	0,85	30,7	853	6000	6000
258	18,63	0,74	26,8	922	6000	6000
258	19,73	0,70	25,4	949	6000	6000
280	21,04	0,71	23,8	942	6000	6000
280	21,53	0,69	23,2	953	6000	6000
280	24,07	0,62	20,8	1000	6000	6000
312	25,20	0,66	19,8	974	6000	6000
312	25,79	0,65	19,4	984	6000	6000
312	27,81	0,60	18,0	1015	6000	6000
312	30,00	0,56	16,7	1043	6000	6000
323	32,55	0,53	15,4	1060	6000	6000
323	33,00	0,52	15,2	1065	6000	6000
323	34,09	0,51	14,7	1076	6000	6000
355	36,55	0,52	13,7	1067	6000	6000
355	38,75	0,49	12,9	1086	6000	6000
376	39,90	0,50	12,5	1077	6000	6000
376	42,63	0,47	11,7	1098	6000	6000
376	46,00	0,44	10,9	1121	6000	6000
376	47,20	0,43	10,6	1128	6000	6000
376	52,25	0,39	9,6	1155	6000	6000
376	57,86	0,35	8,6	1179	6000	6000
376	59,42	0,34	8,4	1185	6000	6000
376	72,83	0,28	6,9	1226	6000	6000

DXS303

Mn_2 [Nm]	i	Pn_1 [kW]	n_2 [rpm]	Fr_1 [N]	Fr_2 D [N]	Fr_2 C-L [N]
376	36,50	0,56	13,7	1046	6000	6000
376	47,14	0,44	10,6	1127	6000	6000
376	57,79	0,36	8,7	1179	6000	6000
376	63,74	0,32	7,8	1200	6000	6000
376	74,20	0,28	6,7	1229	6000	6000
376	78,14	0,26	6,4	1238	6000	6000
376	95,84	0,21	5,2	1269	6000	6000
376	117,48	0,17	4,3	1294	6000	6000
376	137,45	0,15	3,6	1311	6000	6000
376	177,55	0,12	2,8	1332	6000	6000

DXS303

Mn_2 [Nm]	i	Pn_1 [kW]	n_2 [rpm]	Fr_1 [N]	Fr_2 D [N]	Fr_2 C-L [N]
376	198,45	0,10	2,5	1340	6000	6000
376	217,64	0,09	2,3	1346	6000	6000
376	256,33	0,08	1,9	1355	6000	6000
376	314,21	0,07	1,6	1365	6000	6000

DXS352

Mn_2 [Nm]	i	Pn_1 [kW]	n_2 [rpm]	Fr_1 [N]	Fr_2 D [N]	Fr_2 C-L [N]
355	8,00	2,37	62,5	270	8029	3212
355	8,92	2,13	56,0	388	8406	3362
387	9,55	2,17	52,4	368	8442	3377
387	10,65	1,94	47,0	475	8841	3536
419	11,71	1,91	42,7	490	8997	3599
452	13,06	1,85	38,3	521	9220	3688
452	13,36	1,81	37,4	541	9310	3724
484	15,94	1,62	31,4	630	9837	3935
484	16,16	1,60	30,9	640	9897	3959
484	19,29	1,34	25,9	765	10000	4000
495	19,55	1,35	25,6	759	10000	4000
505	23,18	1,17	21,6	849	10000	4000
505	23,75	1,14	21,1	863	10000	4000
516	25,14	1,10	19,9	882	10000	4000
516	27,66	1,00	18,1	930	10000	4000
538	30,00	0,96	16,7	949	10000	4000
581	33,93	0,91	14,7	970	10000	4000
645	36,57	0,94	13,7	956	10000	4000
645	39,38	0,88	12,7	988	10000	4000
645	43,64	0,79	11,5	1029	10000	4000
645	46,10	0,75	10,8	1050	10000	4000
645	48,30	0,71	10,3	1066	10000	4000
645	53,53	0,64	9,3	1100	10000	4000
645	55,00	0,63	9,1	1108	10000	4000
645	67,47	0,51	7,4	1163	10000	4000

DXS353

Mn_2 [Nm]	i	Pn_1 [kW]	n_2 [rpm]	Fr_1 [N]	Fr_2 D [N]	Fr_2 C-L [N]
645	33,57	1,05	14,9	916	10000	4000
645	37,77	0,93	13,2	970	10000	4000
645	40,05	0,88	12,5	995	10000	4000
645	49,13	0,72	10,2	1072	10000	4000

DXS353

Mn ₂ [Nm]	i	Pn ₁ [kW]	n ₂ [rpm]	Fr1 [N]	Fr2 D [N]	Fr2 C-L [N]
645	55,29	0,64	9,0	1109	10000	4000
645	58,72	0,60	8,5	1127	10000	4000
645	65,85	0,53	7,6	1157	10000	4000
645	68,25	0,52	7,3	1166	10000	4000
645	73,63	0,48	6,8	1184	10000	4000
645	81,43	0,43	6,1	1206	10000	4000
645	99,89	0,35	5,0	1243	10000	4000
645	126,43	0,28	4,0	1278	10000	4000
645	150,85	0,23	3,3	1299	10000	4000
645	182,53	0,19	2,7	1318	10000	4000
645	185,05	0,19	2,7	1319	10000	4000
645	217,79	0,16	2,3	1333	10000	4000
645	267,16	0,13	1,9	1347	10000	4000

DXS402

Mn ₂ [Nm]	i	Pn ₁ [kW]	n ₂ [rpm]	Fr1 [N]	Fr2 D [N]	Fr2 C-L [N]
591	7,34	4,31	68,1	1132	17494	4998
645	8,06	4,28	62,0	1145	17930	5123
699	9,94	3,76	50,3	1369	18000	5483
753	11,61	3,47	43,1	1494	18000	5754
806	12,75	3,38	39,2	1531	18000	5907
817	14,04	3,11	35,6	1647	18000	6113
828	15,43	2,87	32,4	1752	18000	6319
828	15,73	2,81	31,8	1775	18000	6364
828	17,29	2,56	28,9	1885	18000	6592
828	19,03	2,33	26,3	1985	18000	6828
828	20,14	2,20	24,8	2041	18000	6972
860	22,13	2,08	22,6	2092	18000	7186
860	24,00	1,92	20,8	2162	18000	7200
860	26,05	1,77	19,2	2227	18000	7200
968	27,29	1,90	18,3	2171	18000	7200
968	28,67	1,80	17,4	2210	18000	7200
968	29,60	1,75	16,9	2234	18000	7200
1075	31,78	1,81	15,7	2208	18000	7200
1075	34,91	1,65	14,3	2278	18000	7200
1075	35,50	1,62	14,1	2290	18000	7200
1075	40,05	1,44	12,5	2369	18000	7200
1075	43,05	1,34	11,6	2412	18000	7200
1075	50,25	1,14	9,9	2494	18000	7200
1075	54,27	1,06	9,2	2531	18000	7200
1075	61,98	0,93	8,1	2588	18000	7200

DXS403

Mn ₂ [Nm]	i	Pn ₁ [kW]	n ₂ [rpm]	Fr1 [N]	Fr2 D [N]	Fr2 C-L [N]
1075	67,52	0,87	7,4	2620	18000	7200
1075	74,18	0,79	6,7	2653	18000	7200
1075	81,71	0,72	6,1	2684	18000	7200
1075	91,49	0,64	5,5	2717	18000	7200
1075	100,62	0,58	5,0	2741	18000	7200
1075	117,17	0,50	4,3	2776	18000	7200
1075	128,73	0,46	3,9	2795	18000	7200
1075	136,34	0,43	3,7	2806	18000	7200
1075	158,76	0,37	3,1	2831	18000	7200
1075	184,88	0,32	2,7	2853	18000	7200
1075	203,11	0,29	2,5	2865	18000	7200
1075	205,34	0,29	2,4	2867	18000	7200
1075	226,04	0,26	2,2	2878	18000	7200
1075	250,50	0,23	2,0	2888	18000	7200
1075	266,13	0,22	1,9	2894	18000	7200
1075	292,36	0,20	1,7	2902	18000	7200
1075	315,73	0,19	1,6	2909	18000	7200
1075	360,58	0,16	1,4	2918	18000	7200

DXS502

Mn ₂ [Nm]	i	Pn ₁ [kW]	n ₂ [rpm]	Fr1 [N]	Fr2 D [N]	Fr2 C-L [N]
914	8,06	6,06	62,0	471	22000	6293
968	8,85	5,85	56,5	560	22000	6470
1021	10,88	5,02	45,9	905	22000	6939
1075	12,75	4,51	39,2	1116	22000	7312
1290	13,99	4,93	35,7	941	22000	7405
1344	15,43	4,66	32,4	1054	22000	7639
1398	17,21	4,34	29,1	1185	22000	7917
1505	19,00	4,24	26,3	1229	22000	8134
1505	20,83	3,86	24,0	1384	22000	8419
1505	22,13	3,64	22,6	1478	22000	8611
1613	24,28	3,55	20,6	1513	22000	8833
1613	26,33	3,27	19,0	1629	22000	9000
1613	29,87	2,89	16,7	1790	22000	9000
1613	32,40	2,66	15,4	1883	22000	9000
1505	34,91	2,31	14,3	2031	22000	9000
1613	38,30	2,25	13,1	2054	22000	9000
1505	42,53	1,89	11,8	2203	22000	9000
1398	44,00	1,70	11,4	2283	22000	9000
1720	47,13	1,95	10,6	2178	22000	9000
1505	50,25	1,60	9,9	2324	22000	9000

DXS502

Mn_2 [Nm]	i	Pn_1 [kW]	n2 [rpm]	Fr1 [N]	Fr2 D [N]	Fr2 C-L [N]
1398	55,14	1,36	9,1	2426	22000	9000
1720	59,40	1,55	8,4	2346	22000	9000
1720	67,84	1,36	7,4	2426	22000	9000

DXS503

Mn_2 [Nm]	i	Pn_1 [kW]	n2 [rpm]	Fr1 [N]	Fr2 D [N]	Fr2 C-L [N]
1720	74,18	1,27	6,7	2474	22000	9000
1720	81,39	1,15	6,1	2520	22000	9000
1720	89,77	1,05	5,6	2563	22000	9000
1720	100,15	0,94	5,0	2607	22000	9000
1720	110,55	0,85	4,5	2643	22000	9000
1720	121,29	0,77	4,1	2674	22000	9000
1720	128,73	0,73	3,9	2692	22000	9000
1720	141,24	0,66	3,5	2718	22000	9000
1720	173,78	0,54	2,9	2769	22000	9000
1720	188,51	0,50	2,6	2786	22000	9000
1720	203,11	0,46	2,5	2801	22000	9000
1720	222,85	0,42	2,2	2817	22000	9000
1720	224,76	0,42	2,2	2819	22000	9000
1720	274,20	0,34	1,8	2850	22000	9000
1720	280,89	0,33	1,8	2853	22000	9000
1720	292,36	0,32	1,7	2858	22000	9000
1720	320,79	0,29	1,6	2870	22000	9000
1720	345,60	0,27	1,4	2878	22000	9000
1720	394,69	0,24	1,3	2892	22000	9000

DXS602

Mn_2 [Nm]	i	Pn_1 [kW]	n2 [rpm]	Fr1 [N]	Fr2 D [N]	Fr2 C-L [N]
1613	8,48	10,16	59,0	2875	29386	8396
1828	9,30	10,51	53,8	2838	29662	8475
1828	10,24	9,54	48,8	2941	30000	8813
2043	11,42	9,57	43,8	2939	30000	8975
2365	12,63	10,02	39,6	2891	30000	9004
2580	13,84	9,97	36,1	2896	30000	9127
2795	16,99	8,79	29,4	3022	30000	9729
3010	21,25	7,57	23,5	3153	30000	10473
3010	22,37	7,20	22,4	3193	30000	10707
3118	23,29	7,16	21,5	3197	30000	10779
3225	26,15	6,59	19,1	3258	30000	11200

DXS602

Mn_2 [Nm]	i	Pn_1 [kW]	n_2 [rpm]	Fr1 [N]	Fr2 D [N]	Fr2 C-L [N]
3225	28,60	6,03	17,5	3318	30000	11200
3225	30,51	5,65	16,4	3359	30000	11200
3225	32,76	5,26	15,3	3401	30000	11200
3225	33,44	5,16	14,9	3412	30000	11200
3225	35,20	4,90	14,2	3440	30000	11200
3225	41,07	4,20	12,2	3515	30000	11200
3225	43,60	3,96	11,5	3541	30000	11200
2580	44,63	3,09	11,2	3634	30000	11200
2580	49,04	2,81	10,2	3664	30000	11200
2795	53,75	2,78	9,3	3667	30000	11200
3225	66,00	2,61	7,6	3685	30000	11200

DXS603

Mn_2 [Nm]	i	Pn_1 [kW]	n_2 [rpm]	Fr1 [N]	Fr2 D [N]	Fr2 C-L [N]
2903	64,84	2,44	7,7	3709	30000	11200
2903	71,07	2,23	7,0	3731	30000	11200
3225	78,46	2,24	6,4	3730	30000	11200
3225	87,27	2,02	5,7	3753	30000	11200
3225	105,91	1,66	4,7	3791	30000	11200
3225	112,52	1,57	4,4	3801	30000	11200
3225	123,33	1,43	4,0	3815	30000	11200
3225	130,04	1,35	3,8	3823	30000	11200
3225	133,78	1,32	3,7	3827	30000	11200
3225	151,43	1,16	3,3	3843	30000	11200
3225	177,53	0,99	2,8	3861	30000	11200
3225	194,59	0,91	2,6	3870	30000	11200
3225	215,60	0,82	2,3	3880	30000	11200
3225	238,93	0,74	2,1	3888	30000	11200

ATTENTION!

The revised data and information, shown in this technical catalogue, replaces the data of the previous editions. Old data is now obsolete. All technical data, dimensions, weights in this catalogue are subject to changes without warning. Illustrations are not binding. You can find the above mentioned data and information on our site www.motovario.com; please periodically consult the technical documentation on the web site to be always updated about possible modifications of performances and characteristics of the product.

All supplies effected by MOTOVARIO are governed exclusively by the general terms of sale that you can find on our website:

<http://www.motovario.com/eng/corporate/sales-conditions>

